



US00D459488S

(12) **United States Design Patent**
Thornton et al.

(10) **Patent No.:** **US D459,488 S**
(45) **Date of Patent:** **** Jun. 25, 2002**

(54) **FLOORING UNIT**

(76) Inventors: **Patrick Thornton**, 33 Bridge Avenue,
Oak Flats, New South Wales, 2529
(AU); **Kevin James Walsh**, 109
Daltons Road, Jamberoo, New South
Wales, 2533 (AU)

(**) Term: **14 Years**

(21) Appl. No.: **29/137,884**

(22) Filed: **Mar. 2, 2001**

(51) **LOC (7) Cl.** **25-01**

(52) **U.S. Cl.** **D25/119; D25/199**

(58) **Field of Search** 52/403.1, 677,
52/685, 686; D25/61, 62, 199, 119

(56) **References Cited**

U.S. PATENT DOCUMENTS

D240,708 S	*	7/1976	Ilukowicz	D25/199
4,835,933 A	*	6/1989	Yung	52/685
D357,544 S	*	4/1995	Spransy	D25/119

* cited by examiner

Primary Examiner—Doris Clark

(74) *Attorney, Agent, or Firm*—Barnes & Thornburg

(57) **CLAIM**

We claim, the ornamental design for a flooring unit, as shown and described.

DESCRIPTION

FIG. 1 is a perspective view of a first embodiment of a flooring unit according to the principles of the present invention.

FIG. 2 is a plan view of the first embodiment.

FIG. 3 is a side view of the first embodiment.

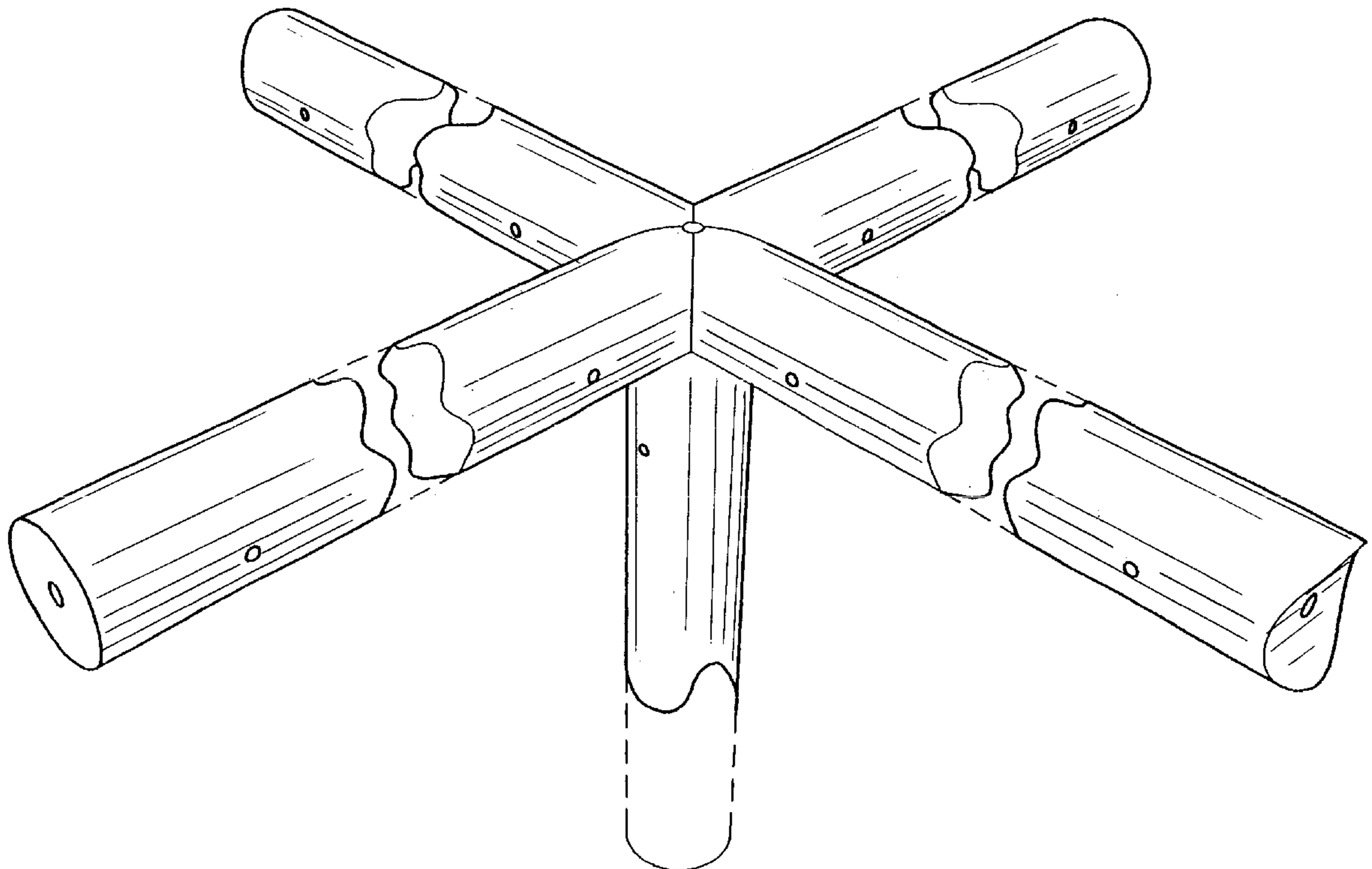
FIG. 4 is a perspective view of a second embodiment of the present invention.

FIG. 5 is a plan view of the second embodiment; and,

FIG. 6 is a side view of the second embodiment.

The broken line shown in the Drawings are used to designate features of varying length.

1 Claim, 6 Drawing Sheets



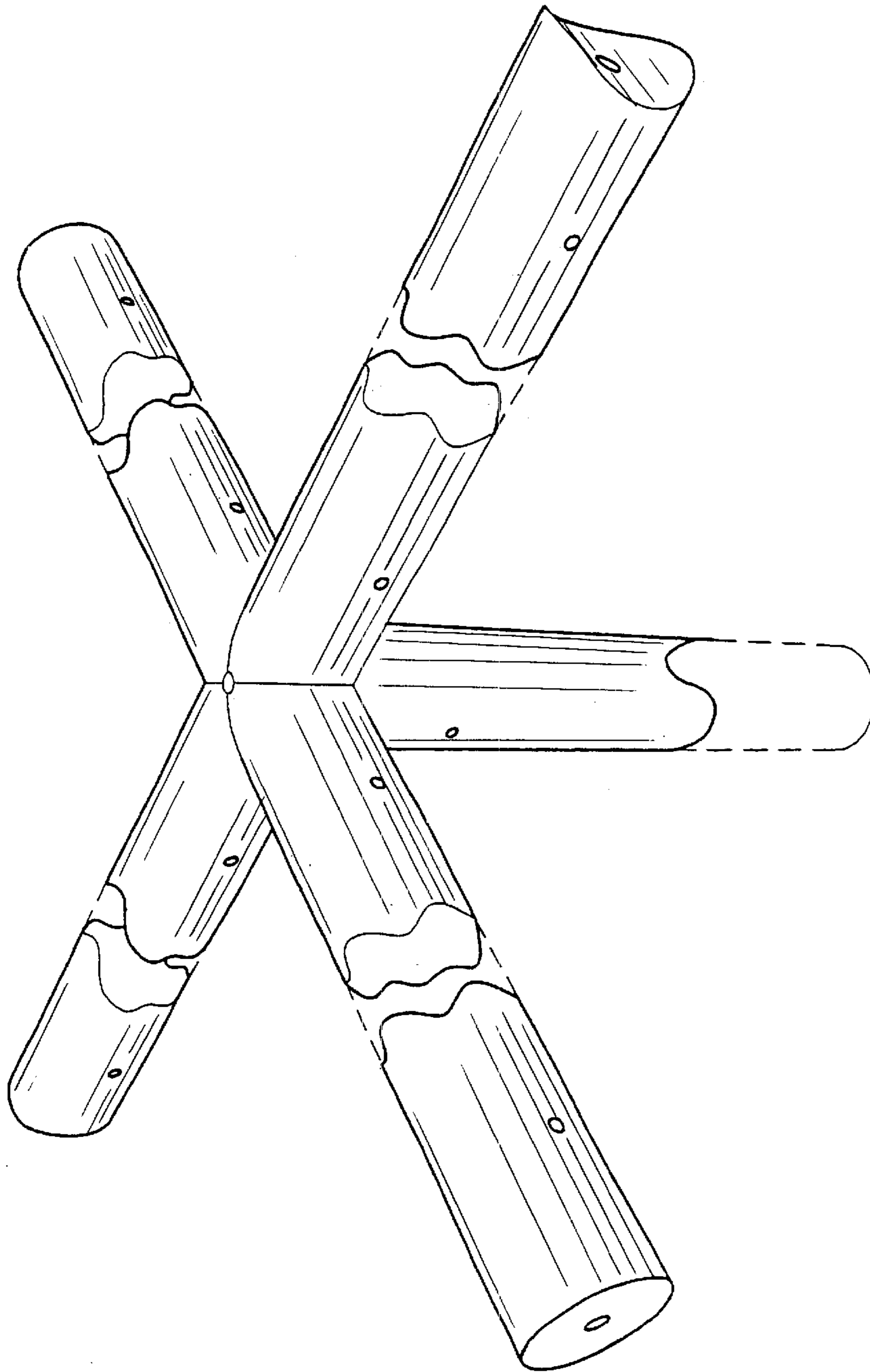


FIG. 1

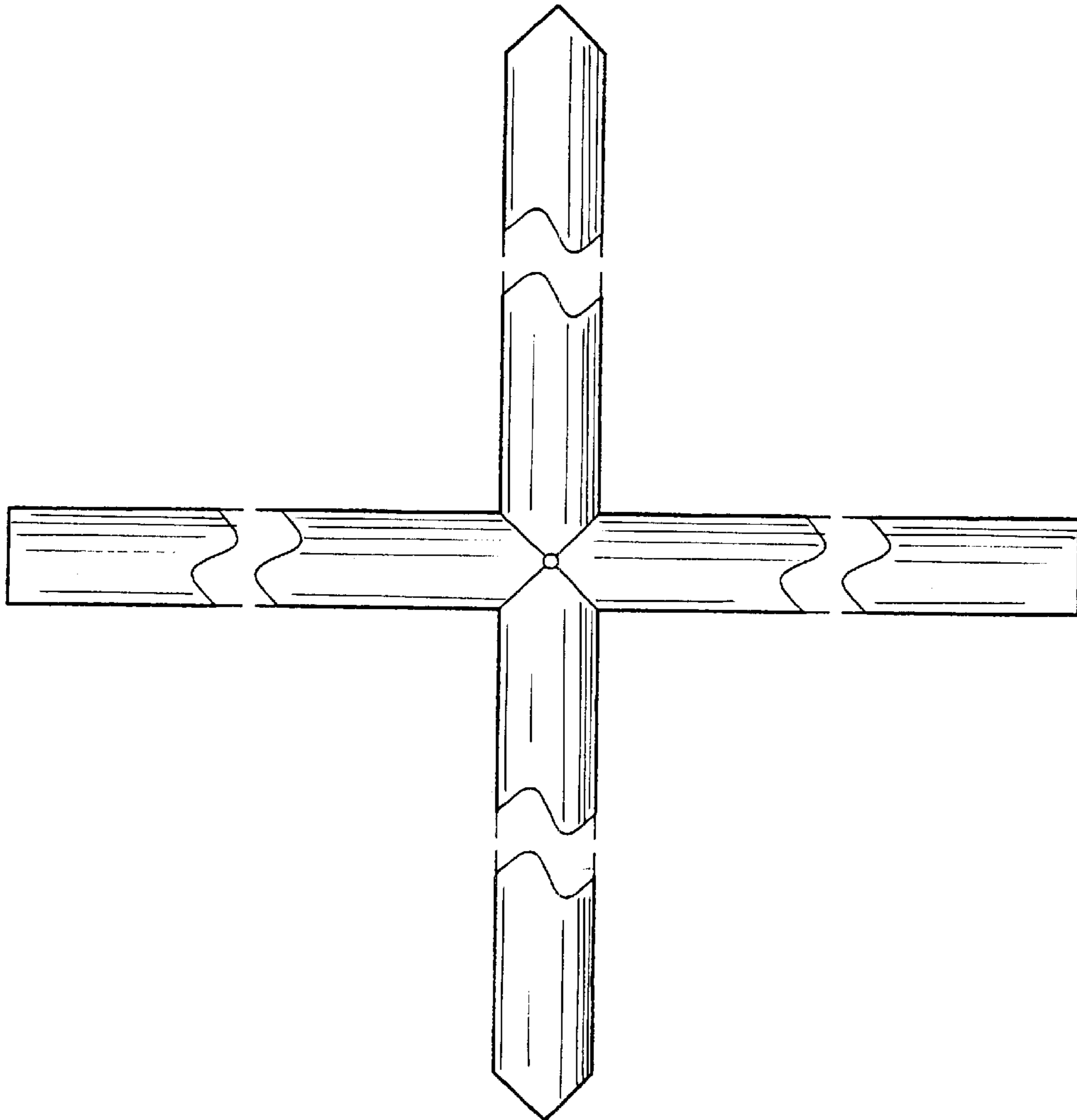


FIG. 2

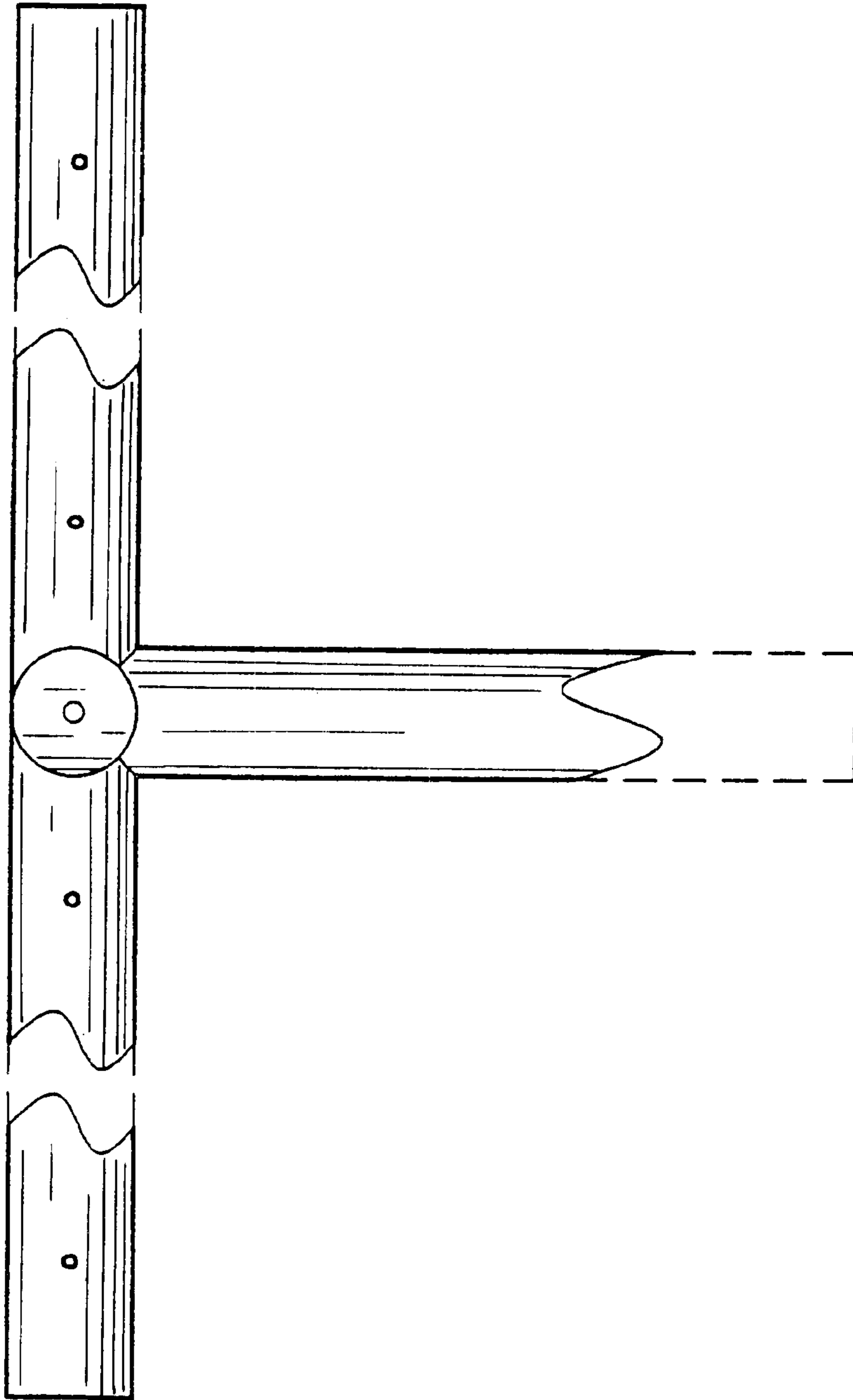


FIG. 3

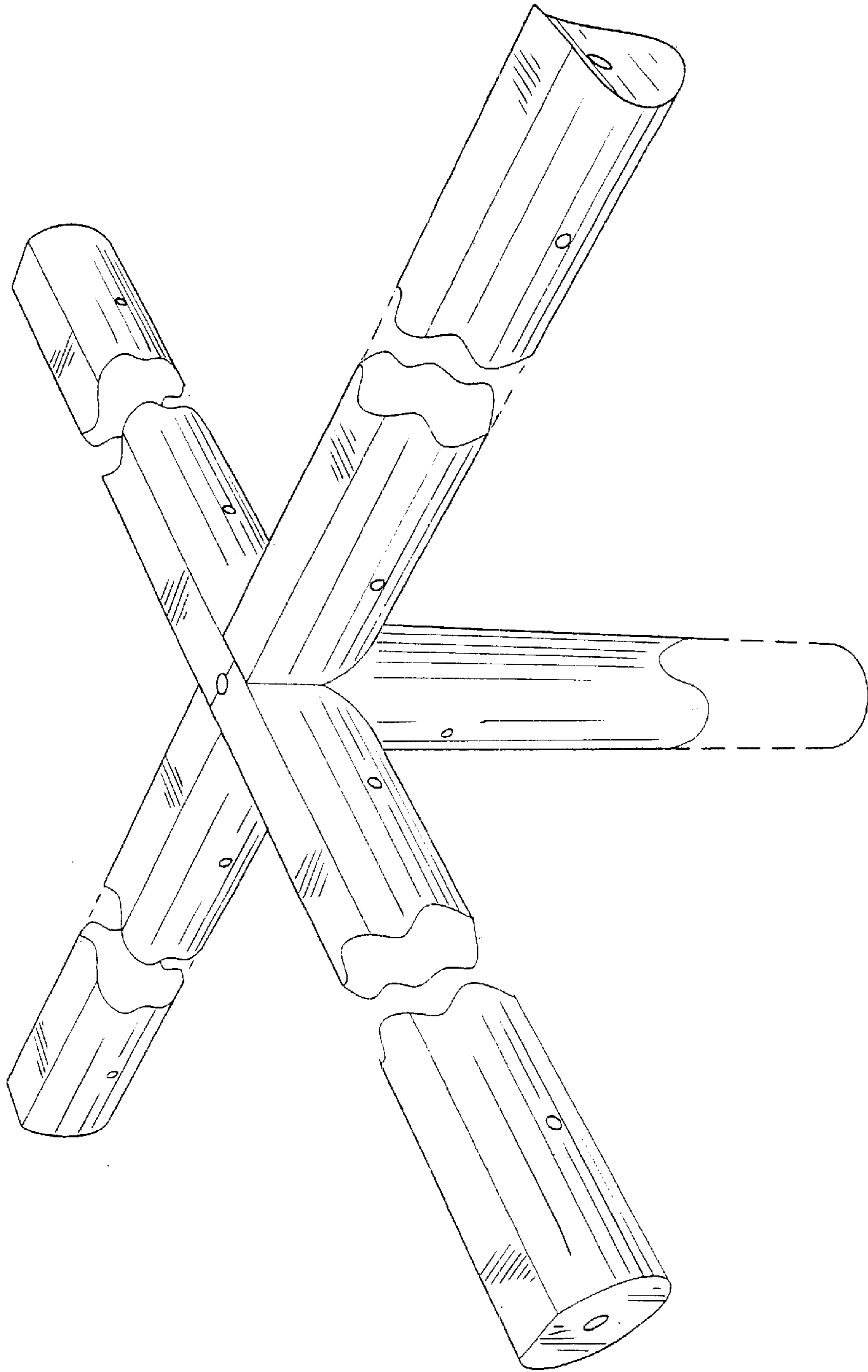


FIG. 4A

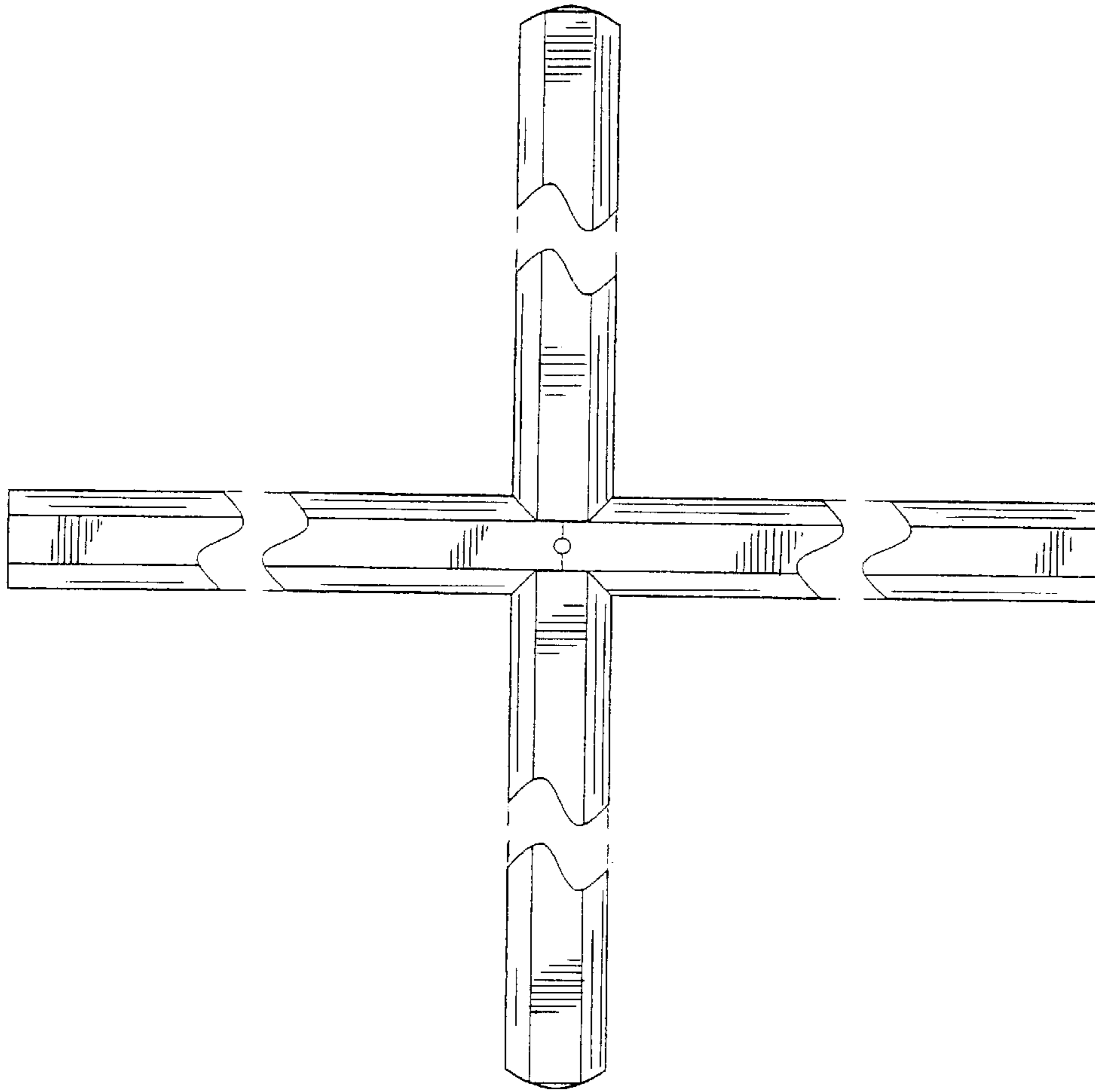


FIG. 5

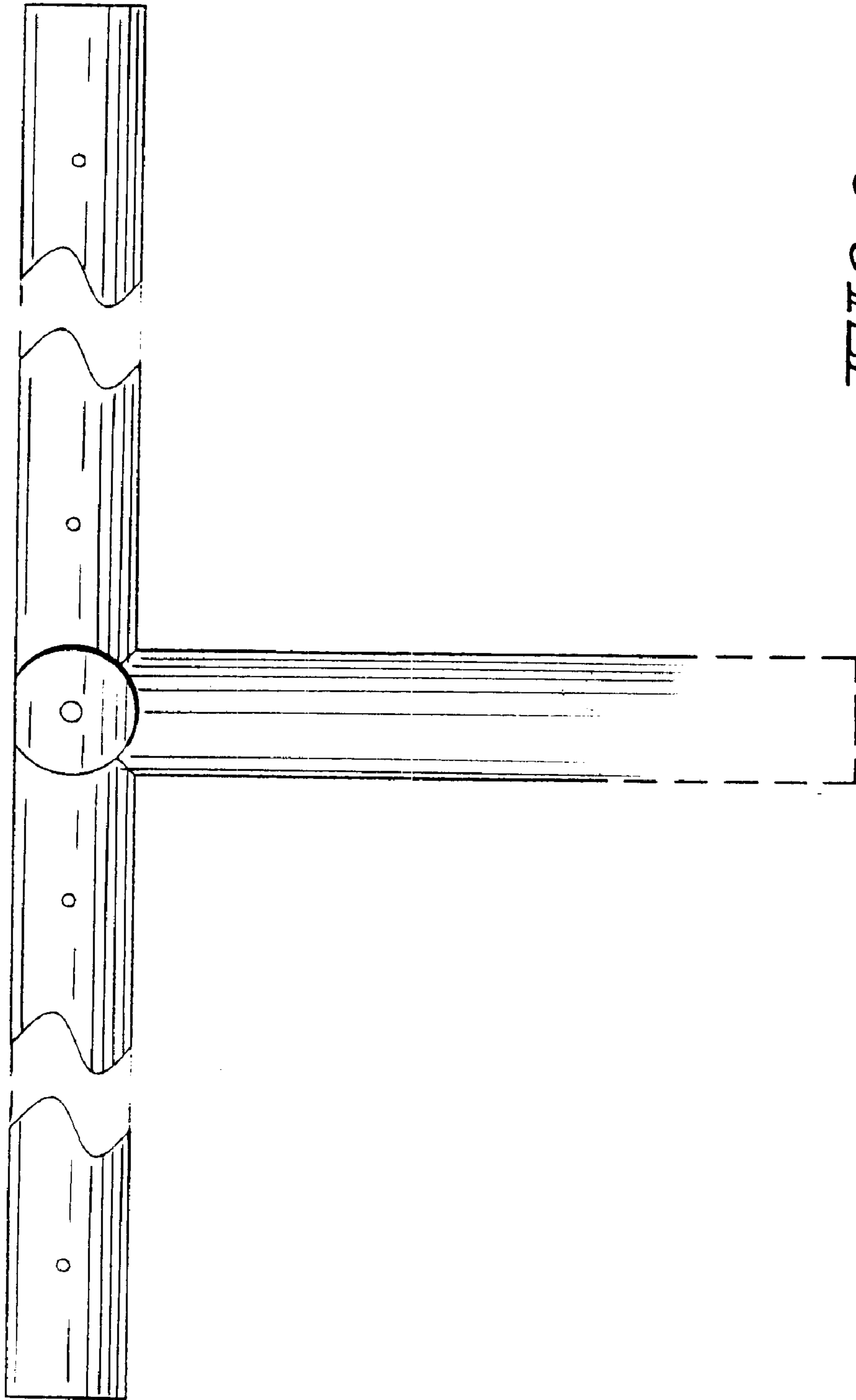


FIG. 6