



US00D459487S

(12) **United States Design Patent**
Bott

(10) **Patent No.:** **US D459,487 S**

(45) **Date of Patent:** **** Jun. 25, 2002**

(54) **LANDSCAPE BLOCK**

(75) **Inventor:** **Timothy A. Bott**, Sunfish Lake, MN
(US)

(73) **Assignee:** **Allan Block Corporation**, Edina, MN
(US)

(**) **Term:** **14 Years**

(21) **Appl. No.:** **29/145,638**

(22) **Filed:** **Jul. 26, 2001**

(51) **LOC (7) Cl.** **25-01**

(52) **U.S. Cl.** **D25/118**

(58) **Field of Search** D25/102, 112-118,
D25/199; D21/484-486, 489-497, 499-505;
405/284, 16, 272-273; 404/17, 27-31, 34,
42; 52/102, 576, 588.1, 582.1, 582.2, 596-612

(56) **References Cited**

U.S. PATENT DOCUMENTS

D298,463 S * 11/1988 Forsberg D25/114
5,044,834 A * 9/1991 Janopaul, Jr. 405/284
5,252,017 A * 10/1993 Hodel 405/284 X
5,505,034 A * 4/1996 Dueck 52/604

D384,168 S * 9/1997 Stevenson D25/115
5,827,015 A * 10/1998 Woolford et al. 52/608 X
5,913,790 A * 6/1999 Dawson 52/609
D430,680 S * 9/2000 Blomquist et al. D25/113
6,168,354 B1 * 1/2001 Martin et al. 405/284
6,250,850 B1 * 6/2001 Price et al. 405/284

* cited by examiner

Primary Examiner—Ian Simmons

Assistant Examiner—Robert A. Delehanty

(74) *Attorney, Agent, or Firm*—Haugen Law Firm PLLP

(57) **CLAIM**

The ornamental design for a landscape block, as shown and described.

DESCRIPTION

FIG. 1 is a perspective view of the design;
FIG. 2 is a front elevational view of the design;
FIG. 3 is a rear elevational view;
FIG. 4 is an elevational view of one side the design, with the
opposed side being a mirror image thereof;
FIG. 5 is a top plan view of the design; and,
FIG. 6 is a bottom plan view of the design.

1 Claim, 3 Drawing Sheets

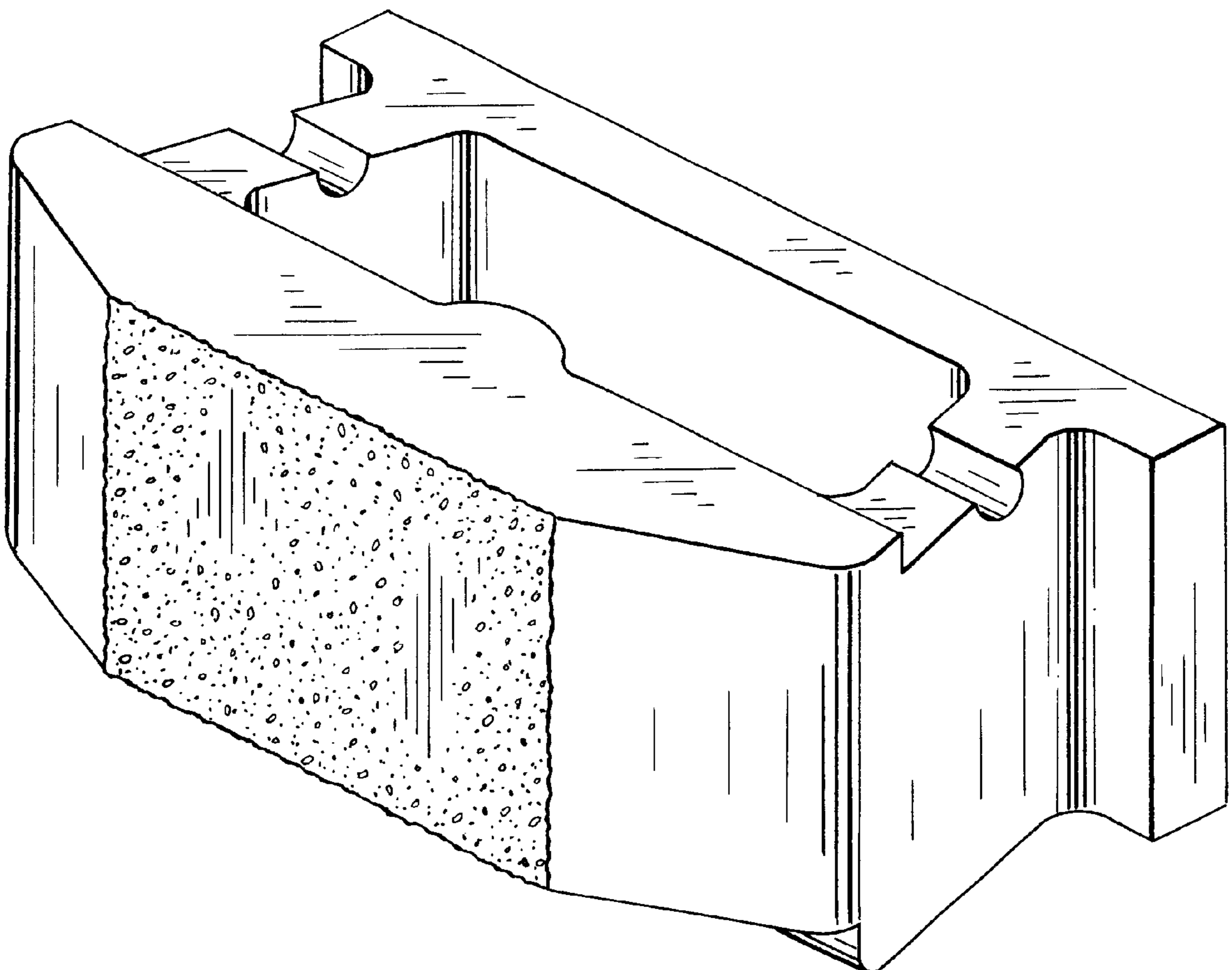


Fig.-1

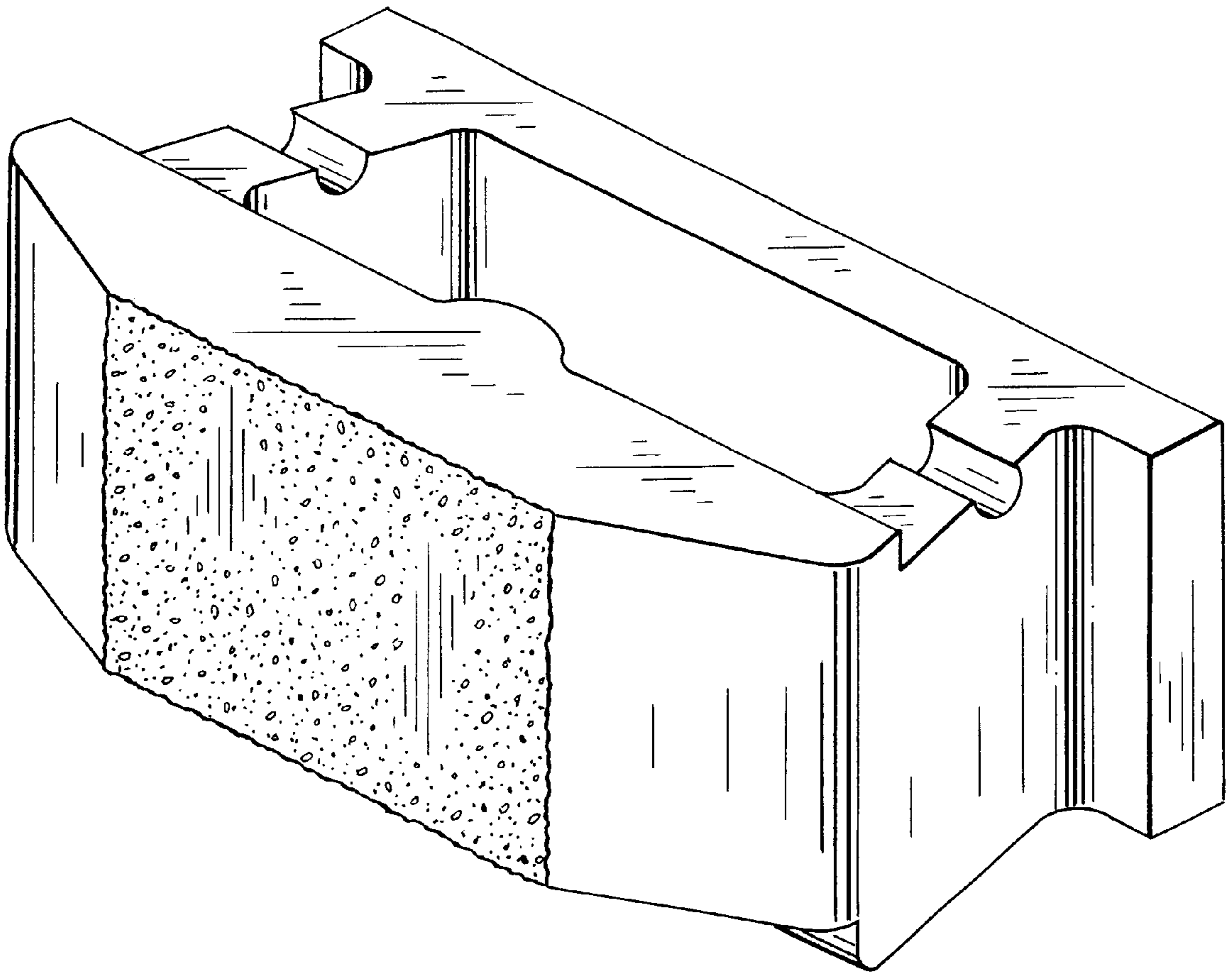


Fig.-2

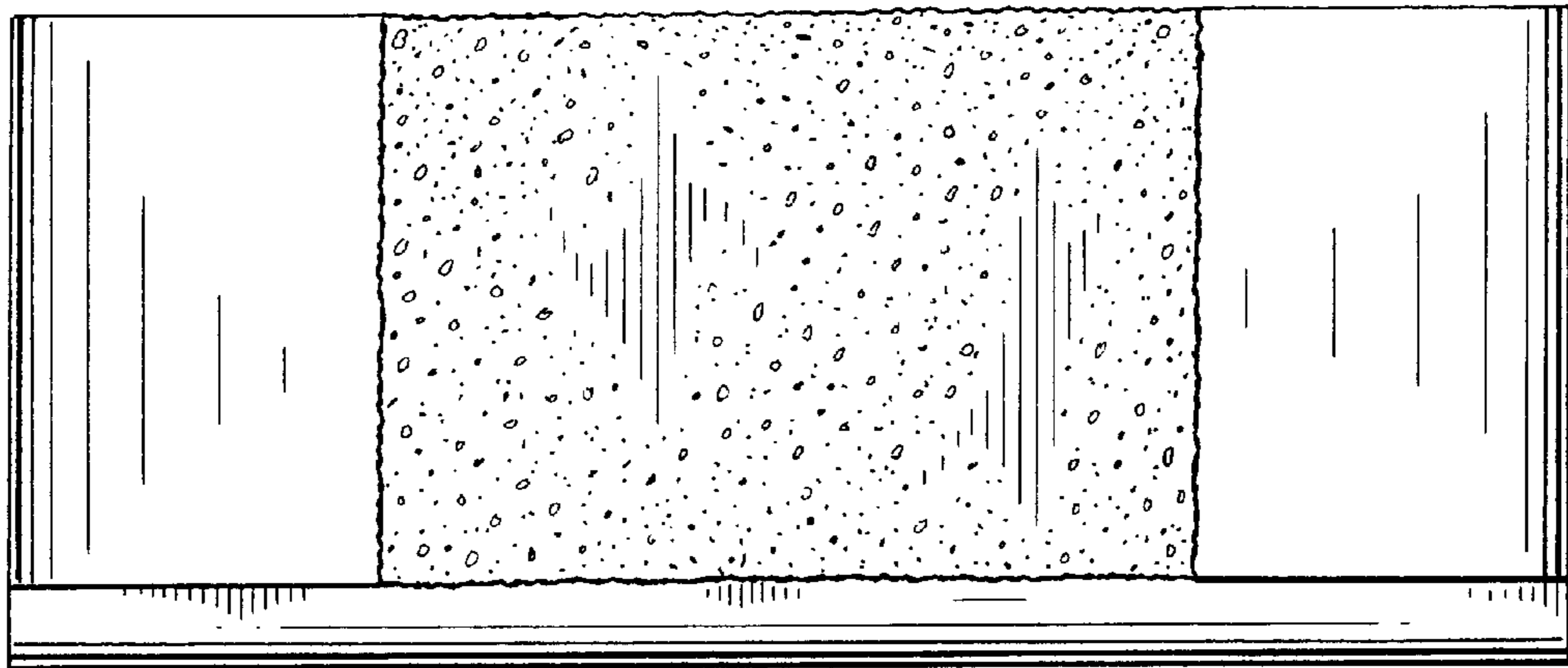


Fig.-3

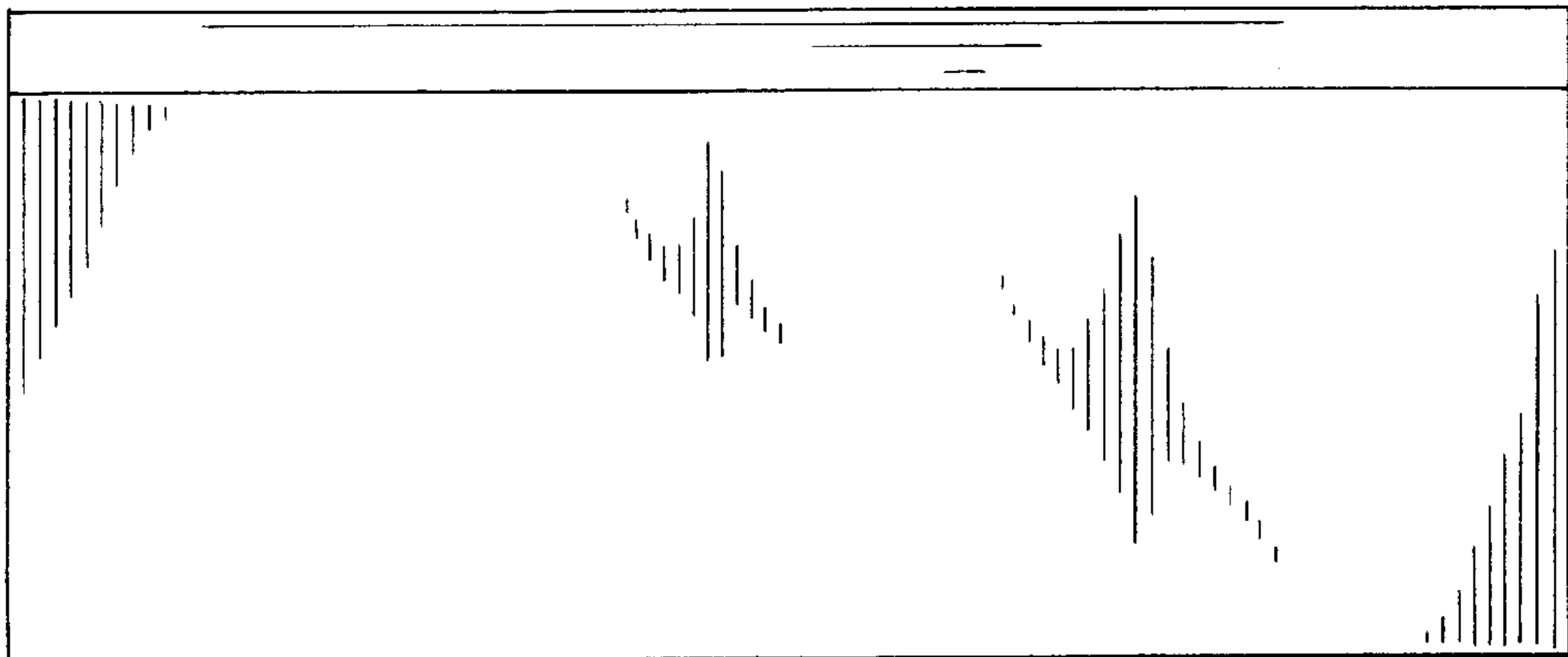


Fig.-4

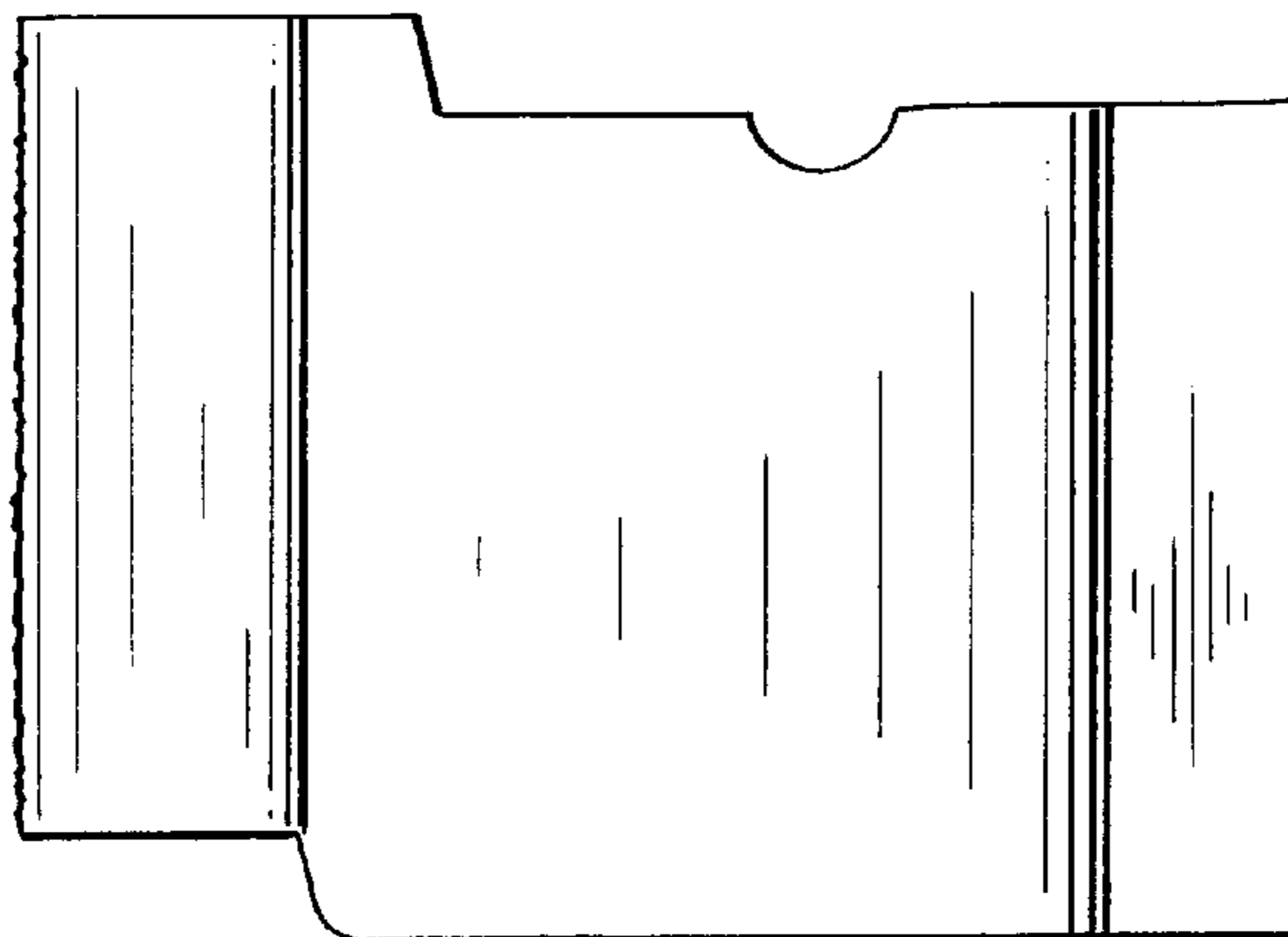


Fig.-5

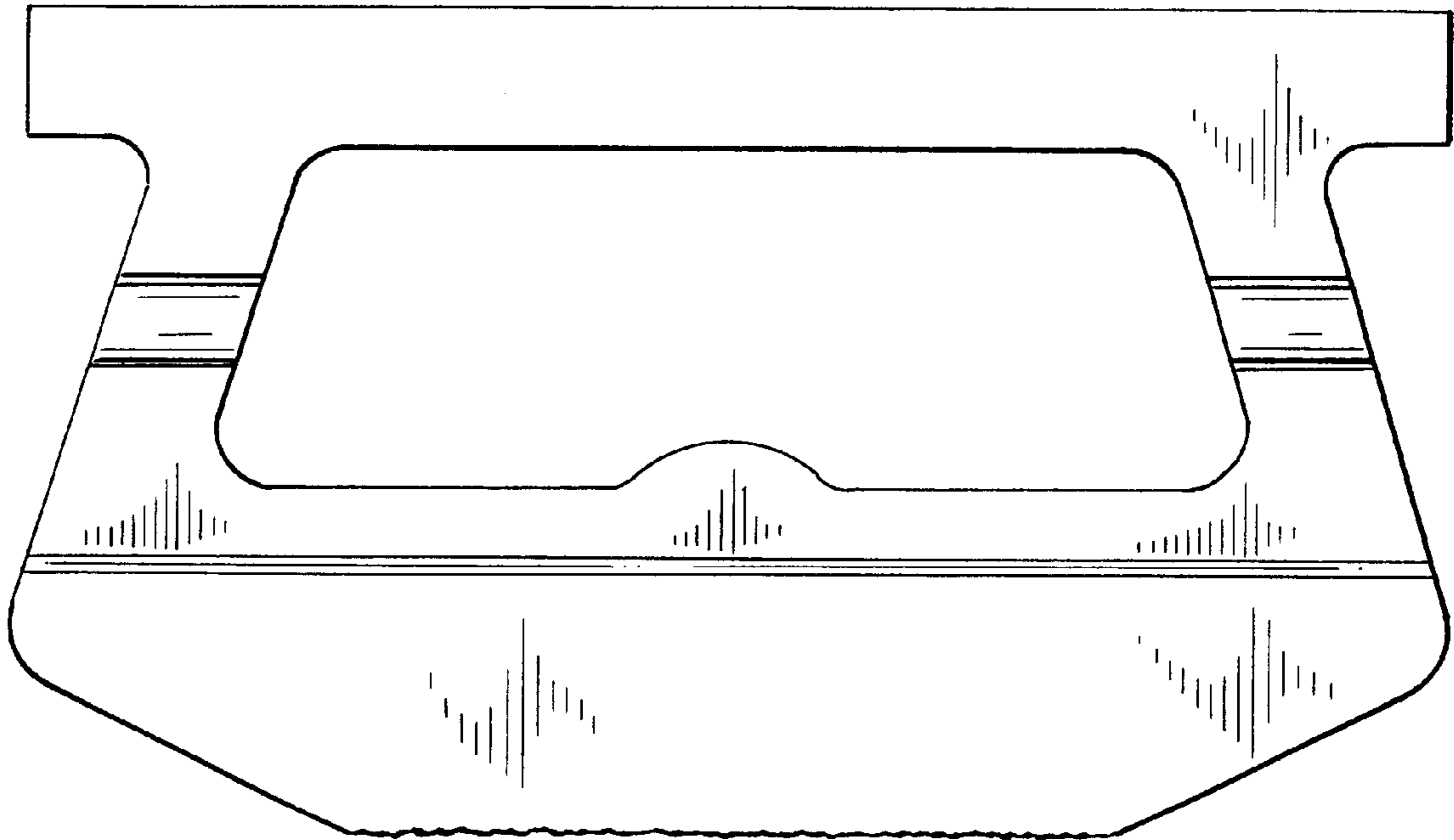


Fig.-6

