



US00D459483S

(12) **United States Design Patent**  
**Roy**

(10) **Patent No.:** **US D459,483 S**  
(45) **Date of Patent:** **\*\* Jun. 25, 2002**

(54) **LADDER IMMOBILIZING TROUGH SAVER**

(76) Inventor: **Claude A. Roy**, 14 King St. East, St. Charles, Ontario (CA), P0M 2W0

(\*\*) Term: **14 Years**

(21) Appl. No.: **29/144,602**

(22) Filed: **Jul. 9, 2001**

(51) **LOC (7) Cl.** ..... **25-04**

(52) **U.S. Cl.** ..... **D25/68**

(58) **Field of Search** ..... D25/68, 69; 182/105, 182/107, 206

(56) **References Cited**

**U.S. PATENT DOCUMENTS**

4,444,291 A \* 4/1984 McPherson ..... 182/206  
D371,853 S \* 7/1996 Grampo ..... D25/68

\* cited by examiner

*Primary Examiner*—Doris Clark

(57) **CLAIM**

I claim the ornamental design for a ladder immobilizing trough saver, as shown and described.

**DESCRIPTION**

The present design relates to a ladder attachment utilized to firmly secure conventional extension ladders to a roof edge

while maintaining distal separation between ladder and eaves trough thus preventing damage to said eaves trough thus preventing damage to said eaves trough. Unlike trough savers found in prior art, the design of the present invention allows the user to install unit on the ladder prior to resting the ladder against the roof edge or trough thus preventing any contact with the trough edge. Accordingly, the design of the present invention is installed to the ladder, then mounted to the roof edge without contact with said eaves trough. The design consists of two ladder and roof contacting portions, and two adjustable lateral supports.

FIG. 1 is a perspective view from above of a ladder immobilizing trough saver installed in accordance with my new design.

FIG. 2 is a side elevation view of the ladder immobilizing trough saver of the present design.

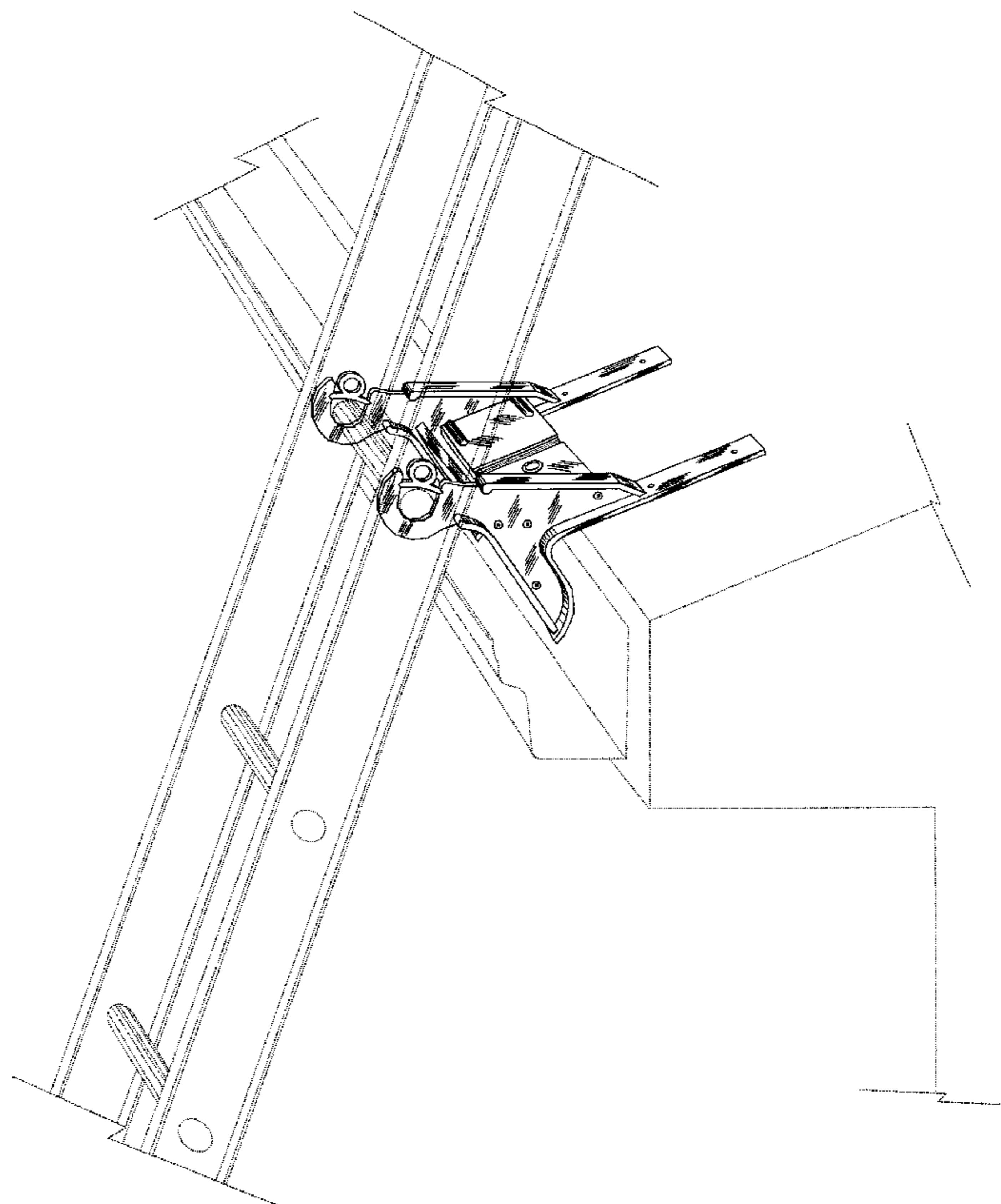
FIG. 3 is an enlarged top elevation view of the adjustable lateral supports of the present design.

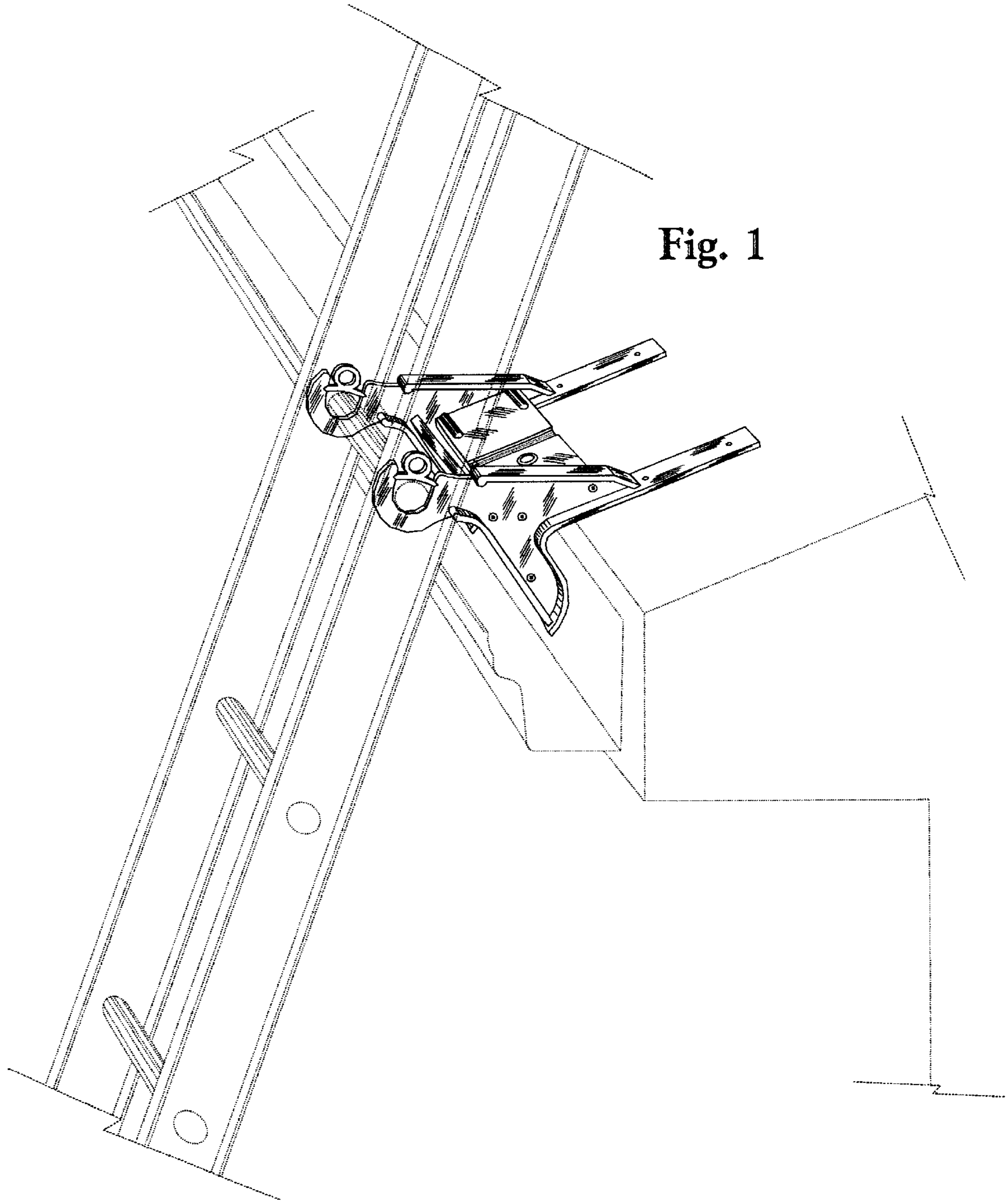
FIG. 4 is an enlarged front elevation view of the adjustable lateral supports of the present design; and,

FIG. 5 is a side elevation view of the ladder immobilizing trough saver the ladder and roof contacting portion is depicting the direction of load transfer when gravitationally suspended from a conventional extension ladder.

The broken lines are for illustrative purposes only and form no part of the claimed design.

**1 Claim, 3 Drawing Sheets**





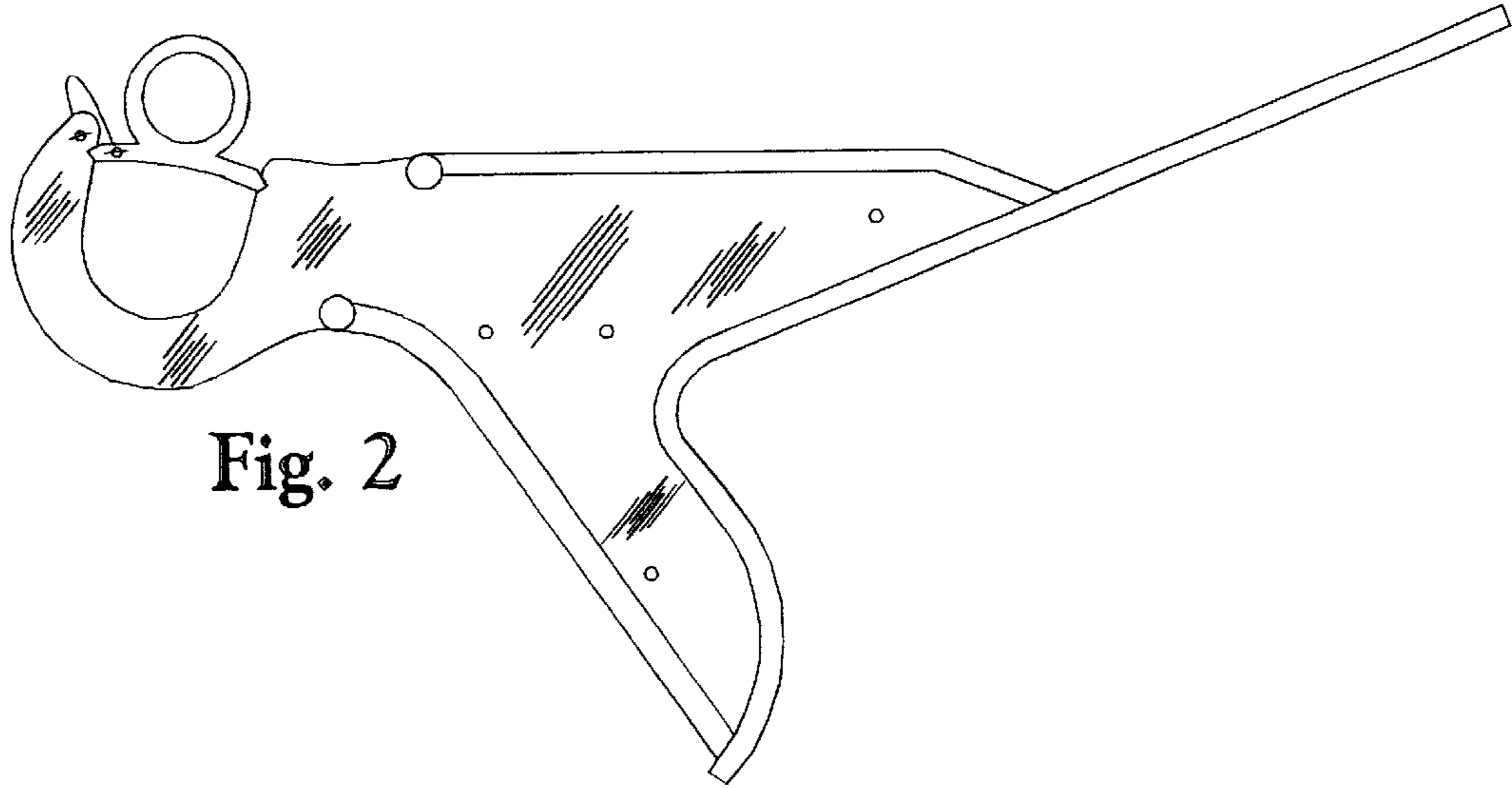


Fig. 2

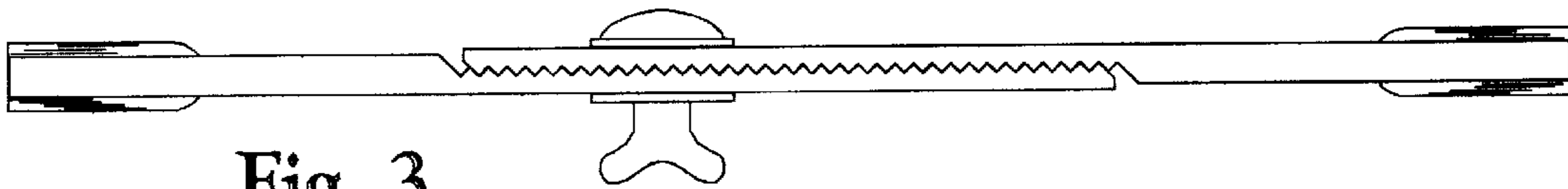


Fig. 3

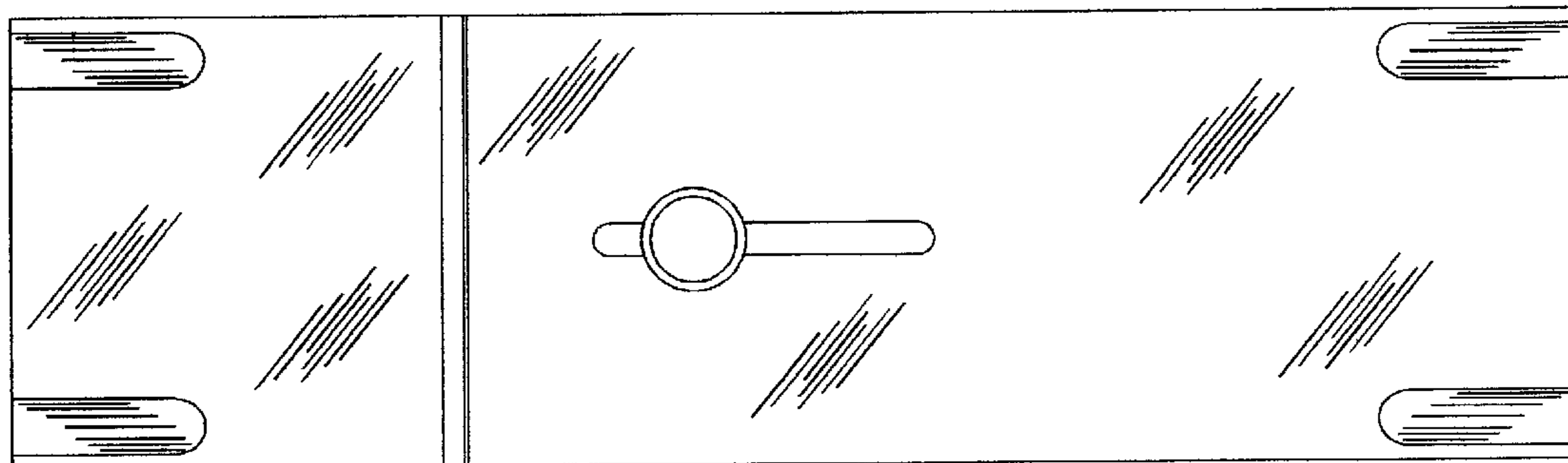


Fig. 4

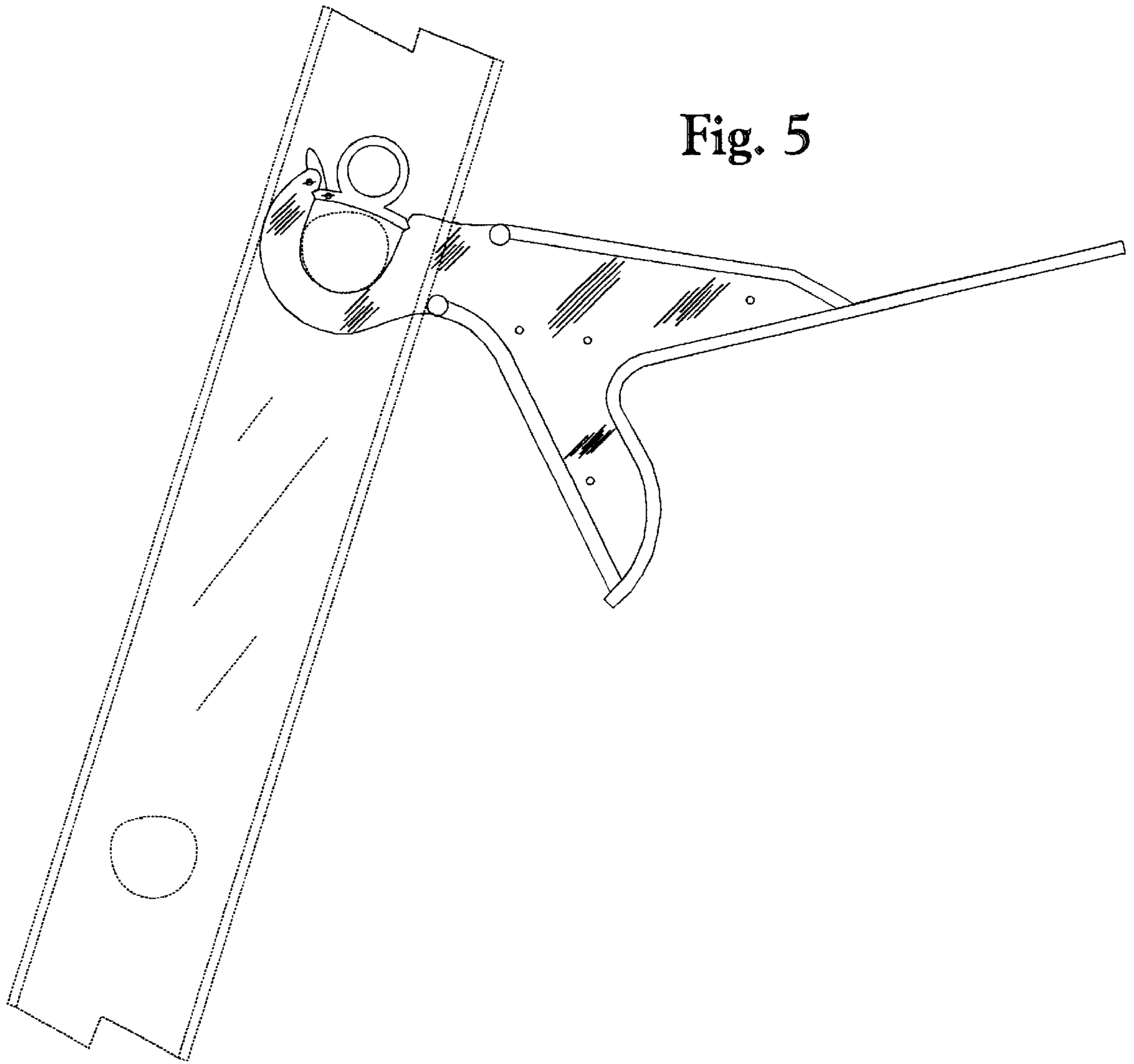


Fig. 5