



US00D459482S

(12) **United States Design Patent**
Kettle

(10) **Patent No.:** **US D459,482 S**

(45) **Date of Patent:** **** Jun. 25, 2002**

(54) **HAY BALE COVER**

(75) Inventor: **Thomas E. Kettle**, Montrose, CO (US)

(73) Assignee: **FarmBoy Online, Inc.**, Montrose, CO (US)

(**) Term: **14 Years**

(21) Appl. No.: **29/144,491**

(22) Filed: **Jul. 2, 2001**

(51) **LOC (7) Cl.** **25-02**

(52) **U.S. Cl.** **D25/56; D25/57**

(58) **Field of Search** **D25/56, 57; 135/90, 135/903, 907**

(56) **References Cited**

U.S. PATENT DOCUMENTS

- D306,762 S * 3/1990 Aquino D25/56
- 4,991,522 A * 2/1991 Alexander 135/903
- D335,046 S * 4/1993 Diaz D25/57

* cited by examiner

Primary Examiner—Doris Clark

(74) *Attorney, Agent, or Firm*—Dorr, Carson, Sloan & Birney, P.C.

(57) **CLAIM**

The ornamental design for a hay bale cover, as shown and described.

DESCRIPTION

FIG 1 is a perspective view of the hay bale cover without the shield, showing it placed on top of a stack of hay bales. The broken lines showing hay bales are for illustrative purposes only and form no part of the claimed design.

FIG. 2 is a top view of the hay bale cover.

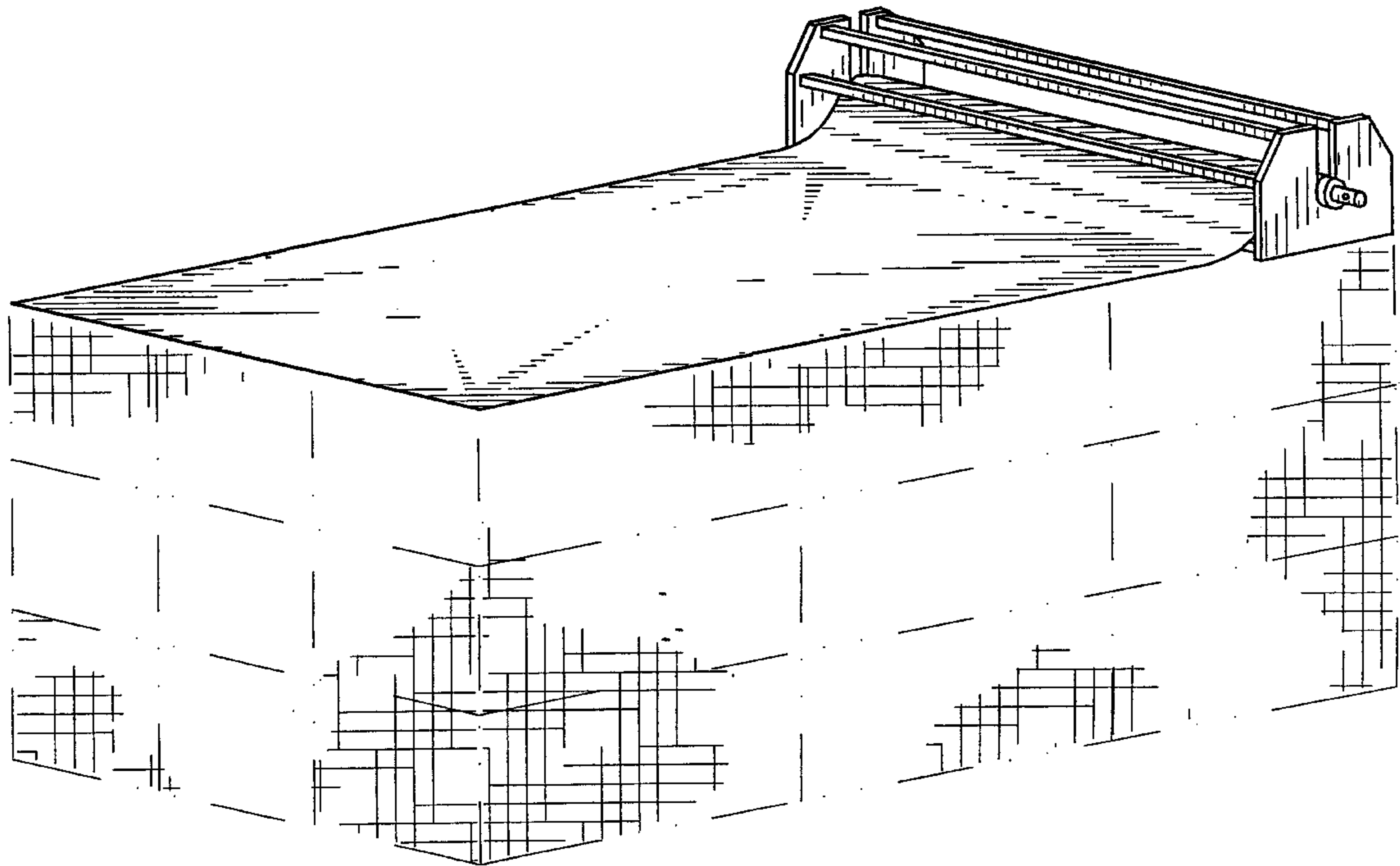
FIG. 3 is a left side view (long side) of the hay bale cover, with the right side view (long side) being a mirror image of FIG. 3.

FIG. 4 is a section view taken along line 4—4 of FIG. 2.

FIG. 5 is a right end view of the hay bale cover; and,

FIG. 6 is a perspective view of the hay bale cover as in FIG. 1 showing a view of the invention with a shield.

1 Claim, 4 Drawing Sheets



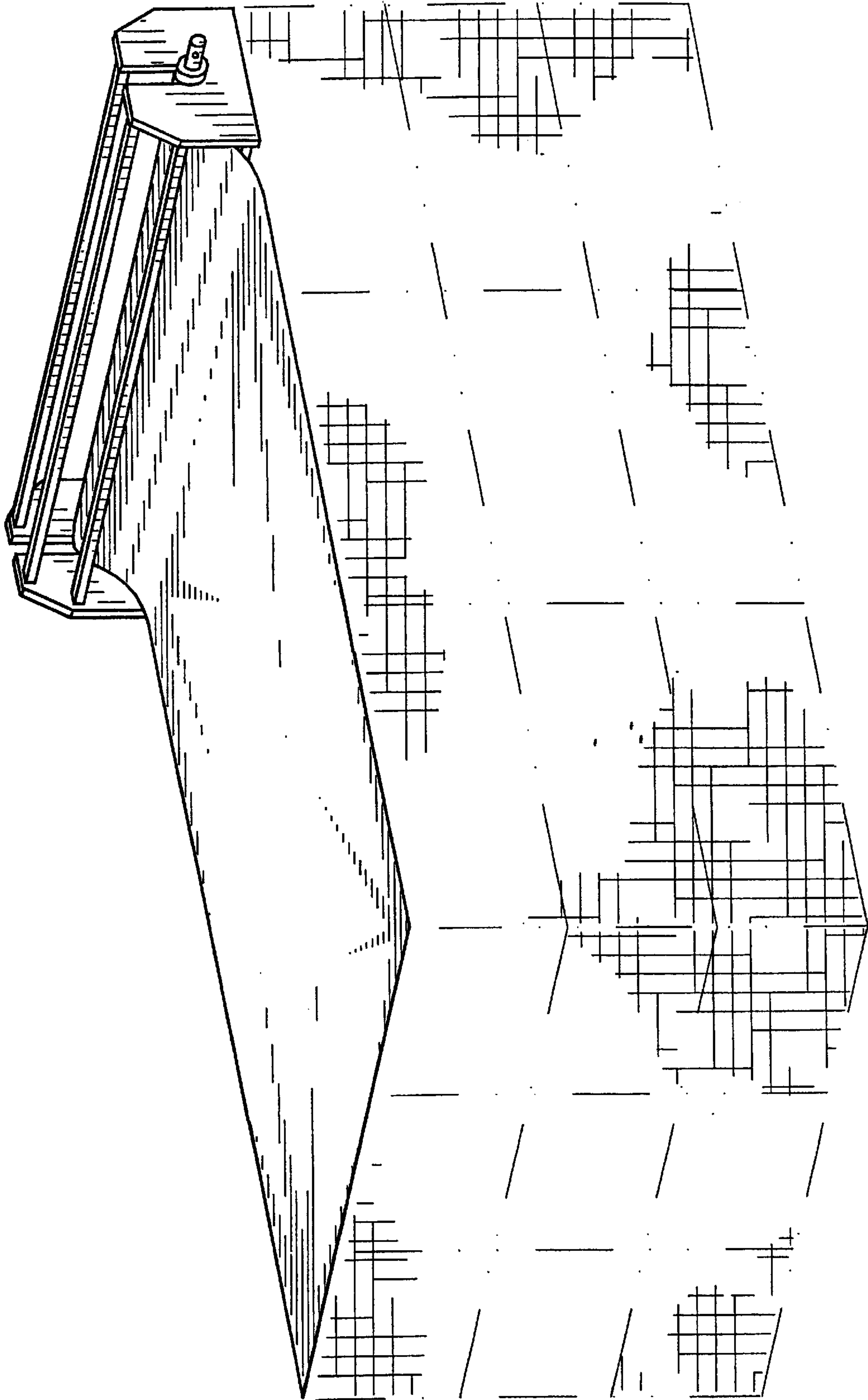


FIG. 1

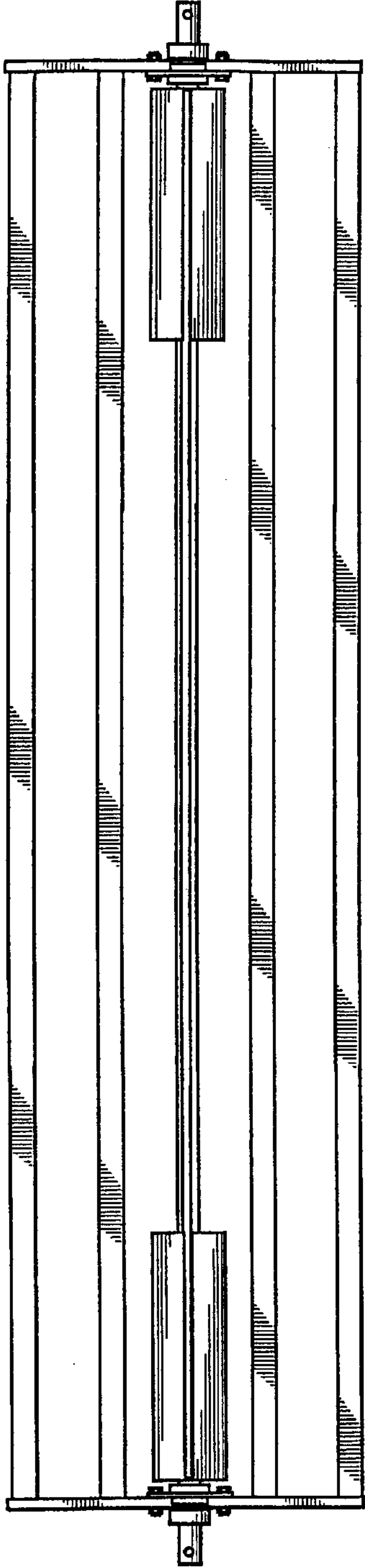


FIG. 2

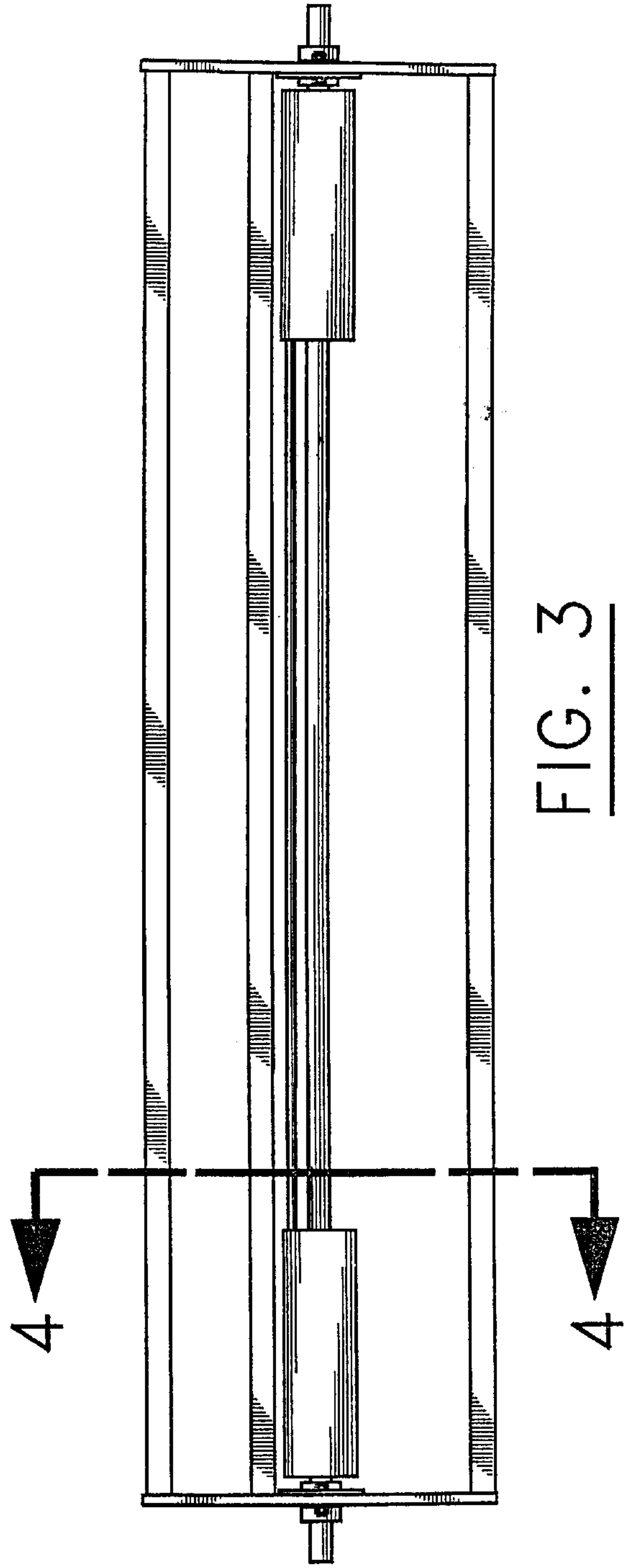


FIG. 3

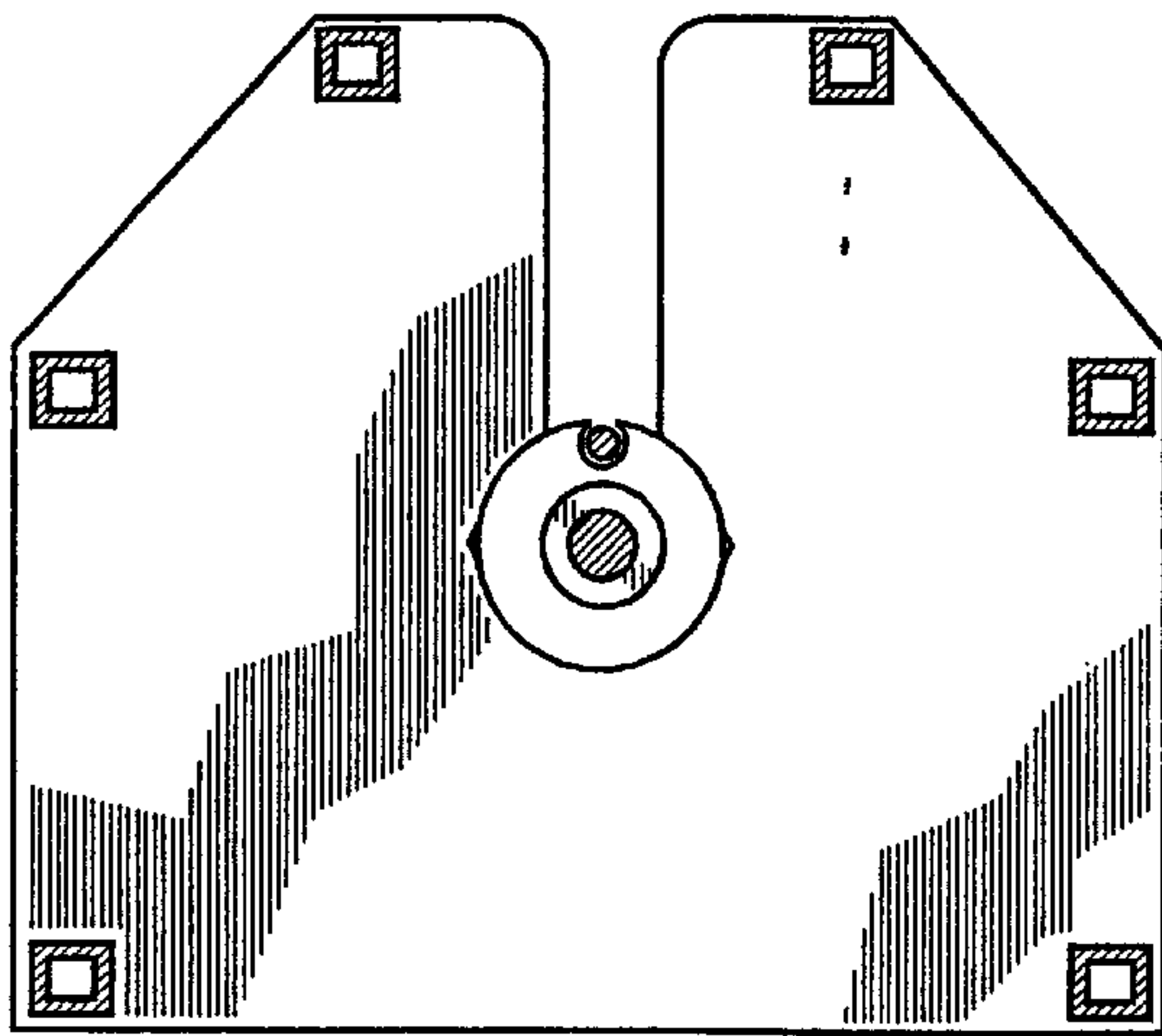


FIG. 4

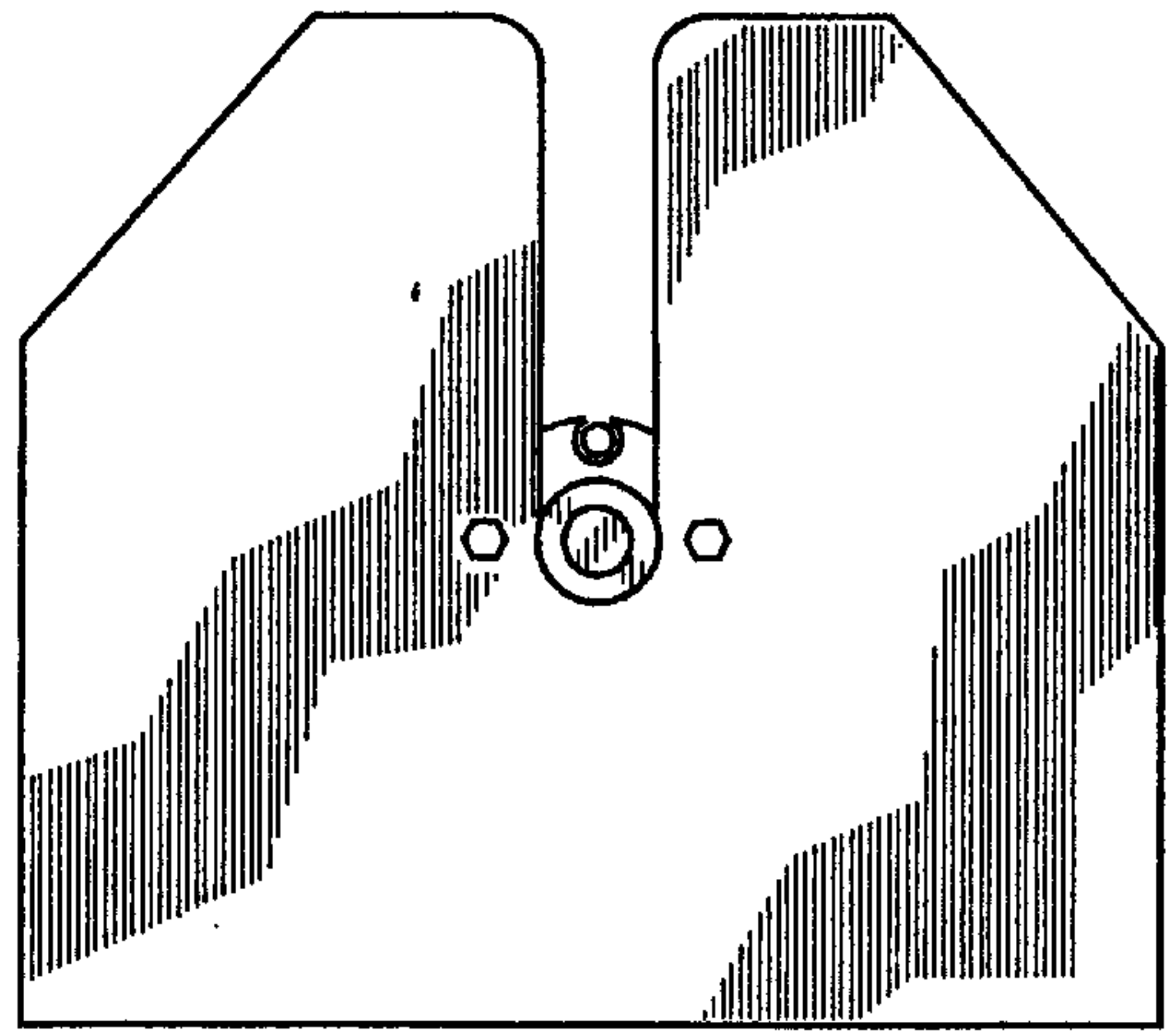


FIG. 5

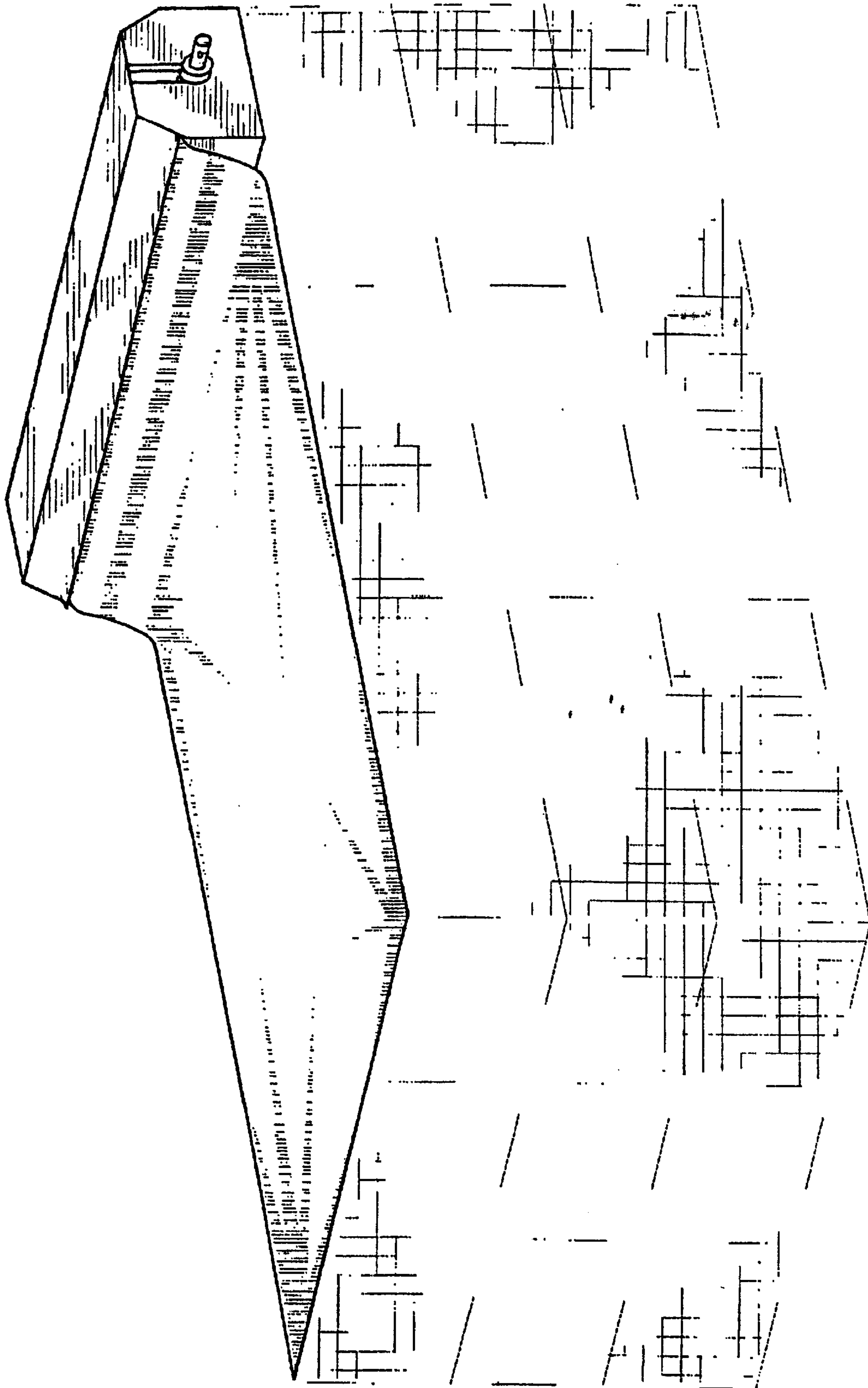


FIG. 6