



US00D459480S

(12) **United States Design Patent**
Schmidt et al.

(10) **Patent No.:** **US D459,480 S**
(45) **Date of Patent:** **** Jun. 25, 2002**

- (54) **FRONT PORTION FOR ANALYZER TABLE**
- (75) Inventors: **Roland Schmidt; Klaus Lackner**, both of Roemerstrasse (DE)
- (73) Assignee: **Symex Corporation**, Kobe (JP)
- (**) Term: **14 Years**
- (21) Appl. No.: **29/125,942**
- (22) Filed: **Jul. 6, 2000**
- (51) **LOC (7) Cl.** **24-02**
- (52) **U.S. Cl.** **D24/232; D24/185**
- (58) **Field of Search** **D24/185, 230, D24/231; D10/81, 75; D6/492, 451, 454; 422/63, 64, 65, 60**

(56) **References Cited**

U.S. PATENT DOCUMENTS

D373,830 S	*	9/1996	LaBarbera et al.	D24/232
D378,782 S	*	4/1997	LaBarbera et al.	D24/232
D418,597 S	*	1/2000	Doms et al.	D24/231
D419,234 S	*	1/2000	Doms et al.	D24/231

* cited by examiner

Primary Examiner—Ian Simmons
(74) *Attorney, Agent, or Firm*—Shinju Global IP Counselors, LLP

(57) **CLAIM**

The ornamental design for a front portion for analyzer table, as shown and described.

DESCRIPTION

FIG. 1 is a front perspective view of a front portion for an analyzer table in accordance with our new design;
 FIG. 2 is a front elevational view of the front portion for the analyzer table illustrated in FIG. 1;
 FIG. 3 a right side elevational view of the front portion for the analyzer table illustrated in FIGS. 1 and 2 with the left side elevational view being a mirror image thereof;
 FIG. 4 is a top plan view of the front portion for the analyzer table illustrated in FIGS. 1-3; and,
 FIG. 5 is a bottom plan view of the front portion for the analyzer table illustrated in FIGS. 1-4.
 The broken line showing the environment in FIGS. 1-5 is for illustrative purposes only and forms no part of the claimed design relating to the front portion.

1 Claim, 3 Drawing Sheets

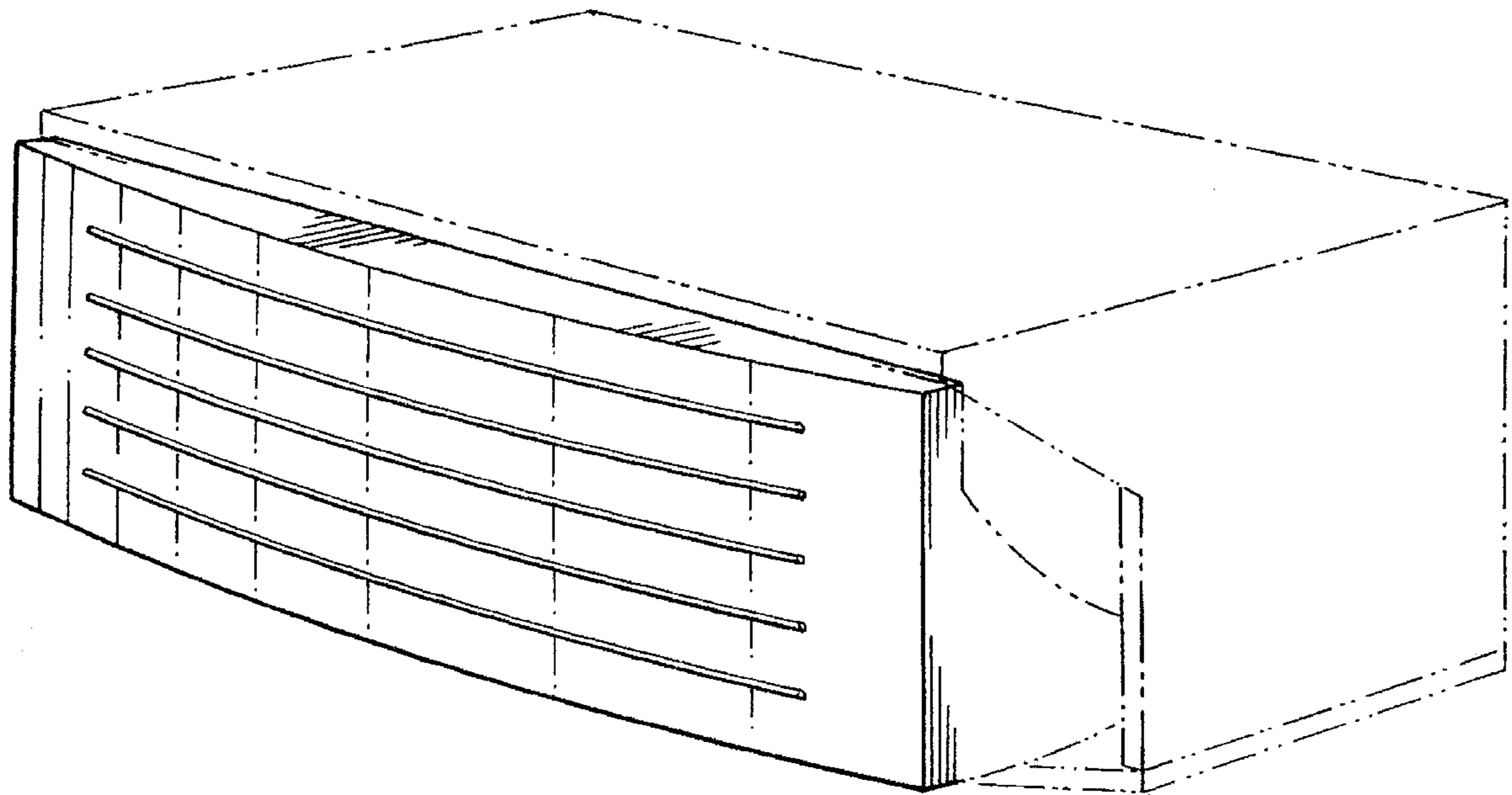


FIG. 1

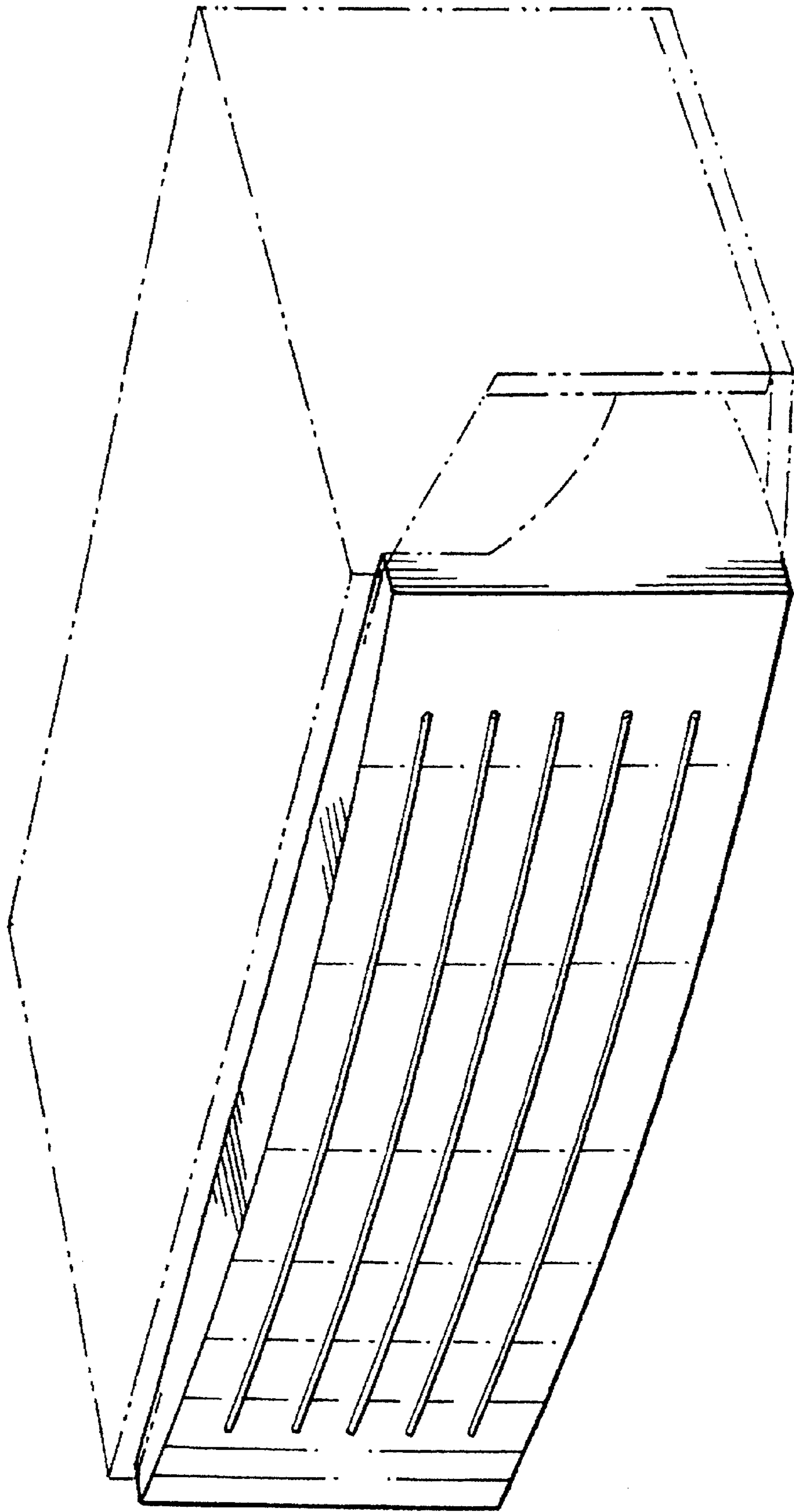


FIG. 2

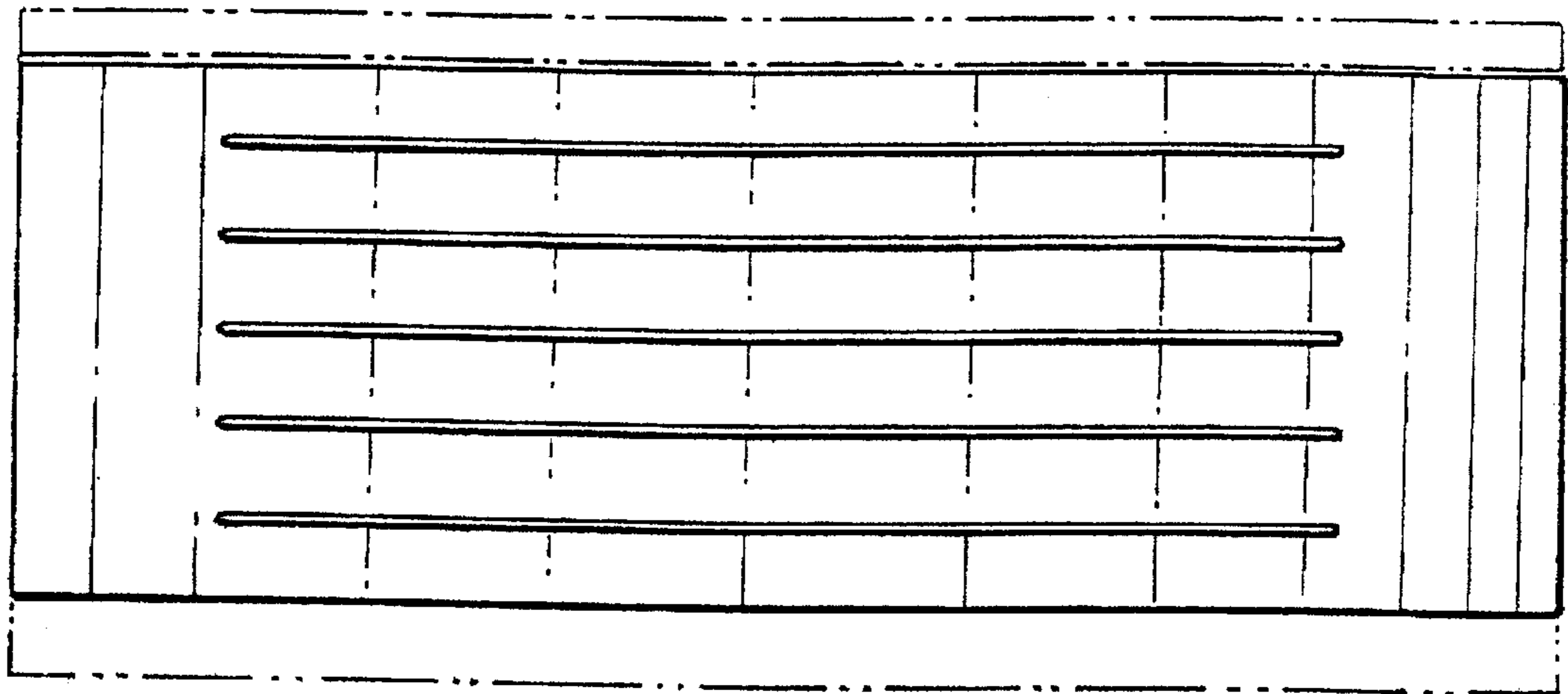


FIG. 3

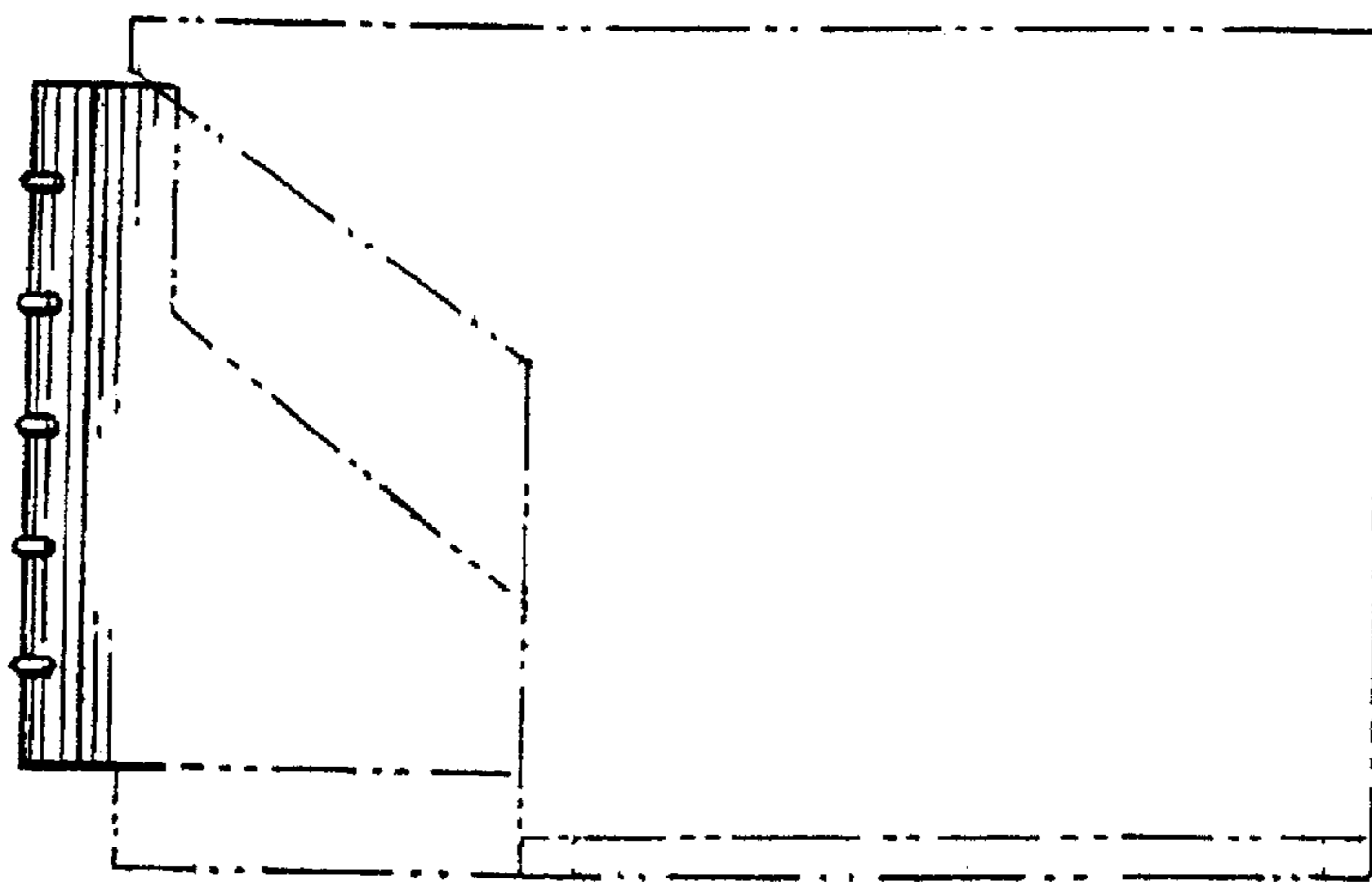


FIG. 4

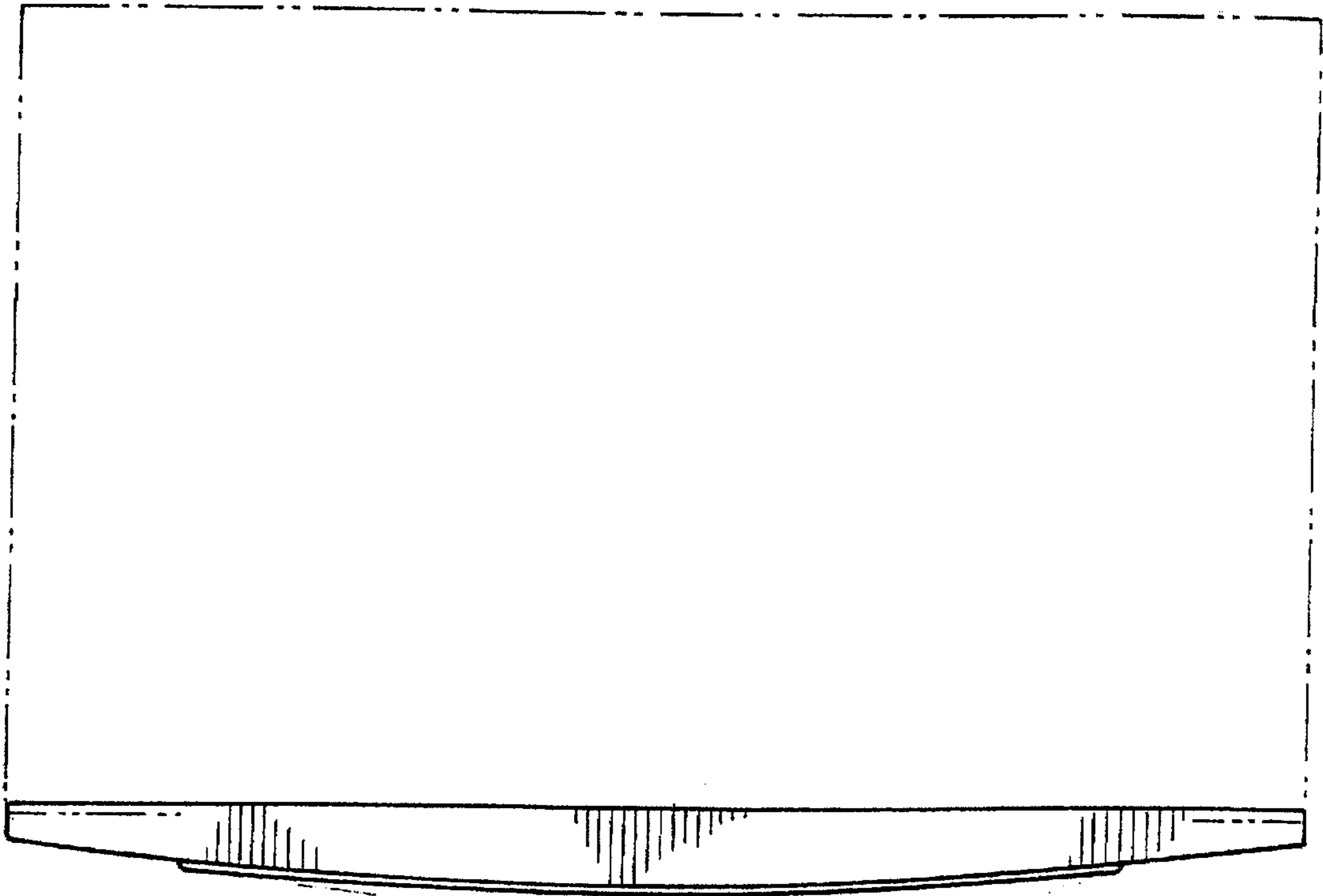


FIG. 5

