



US00D459477S

(12) **United States Design Patent**
Stocks et al.

(10) **Patent No.:** **US D459,477 S**
(45) **Date of Patent:** **** Jun. 25, 2002**

(54) **VENTILATOR HOUSING AND STAND**

(75) Inventors: **David L. Stocks**, Long Beach; **Philip Remedios**, Seal Beach, both of CA (US)

(73) Assignee: **I.N. Incorporated**, Los Alamitos, CA (US)

(**) Term: **14 Years**

(21) Appl. No.: **29/145,813**

(22) Filed: **Jul. 30, 2001**

(51) **LOC (7) Cl.** **24-01**

(52) **U.S. Cl.** **D24/164; D24/186**

(58) **Field of Search** D24/164, 186;
600/529, 533, 538; 128/200.14, 200.21,
204.25, 205.23

(56) **References Cited**

U.S. PATENT DOCUMENTS

4,889,116 A * 12/1989 Taube 128/204.23

4,972,842 A * 11/1990 Korten et al. 128/716
5,074,420 A * 12/1991 Cappel, III 211/42
5,165,398 A * 11/1992 Bird 128/204.25
5,263,941 A * 11/1993 Cockrill 604/179

* cited by examiner

Primary Examiner—Stella Reid

(74) *Attorney, Agent, or Firm*—Stetina Brunda Garred & Brucker

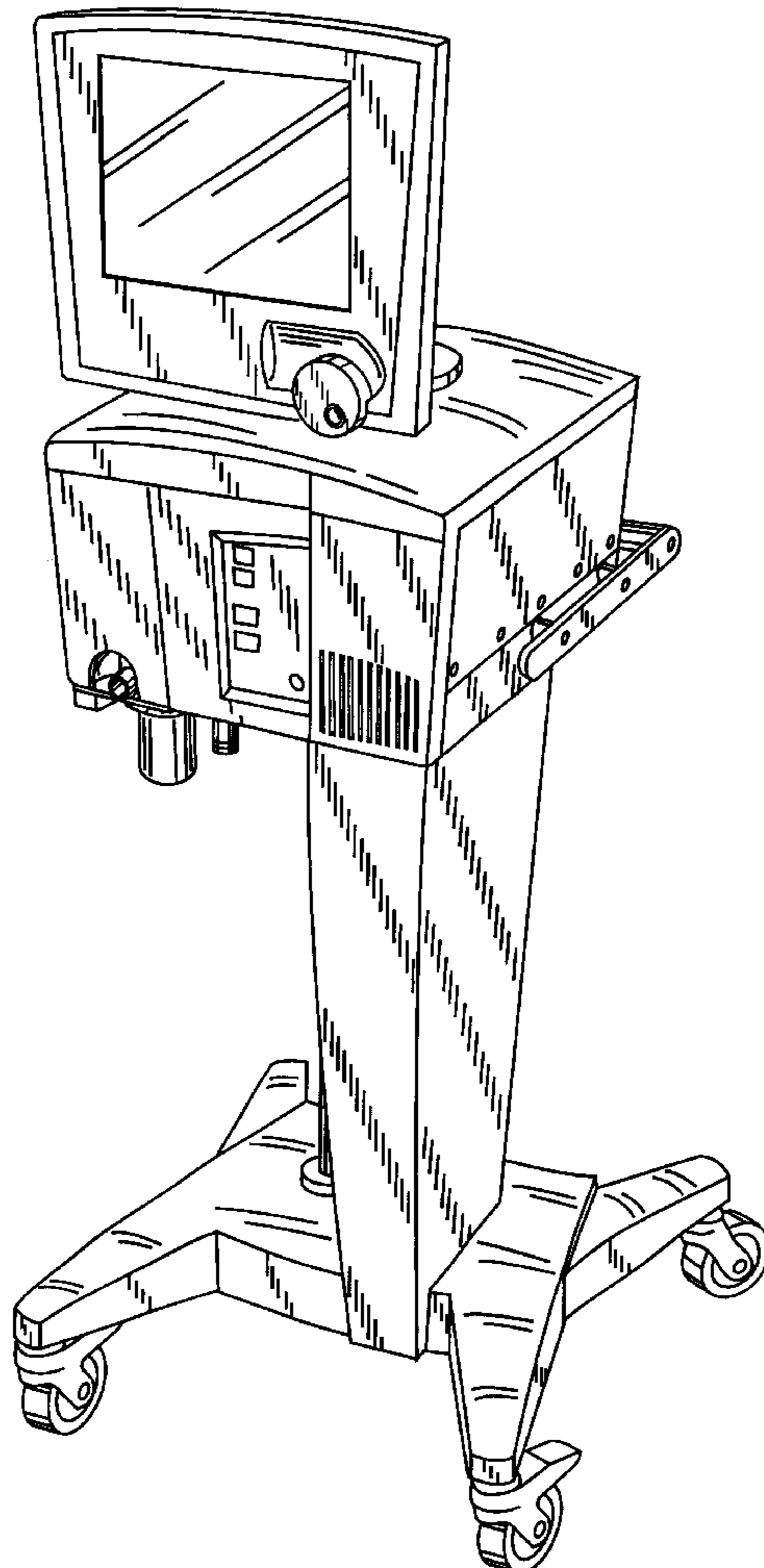
(57) **CLAIM**

The ornamental design for a ventilator housing and stand, as shown and described.

DESCRIPTION

FIG. 1 is a front perspective view of the ventilator housing and stand of the present invention showing our new design; FIG. 2 is a front elevational view thereof; FIG. 3 is a left side elevational view thereof; FIG. 4 is a right side elevational view thereof; FIG. 5 is a rear elevational view thereof; and, FIG. 6 is top plan view thereof.

1 Claim, 3 Drawing Sheets



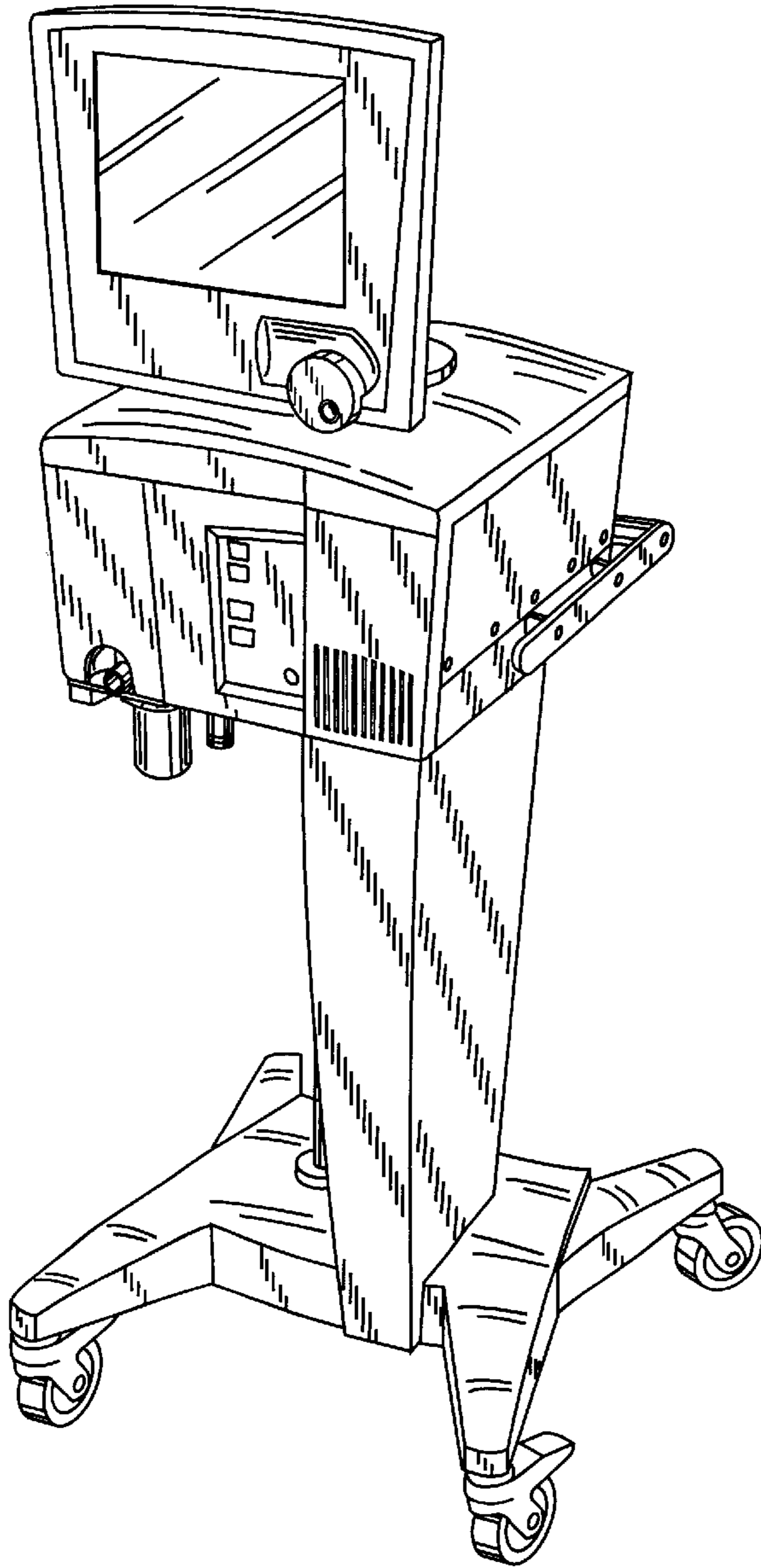


Fig. 1

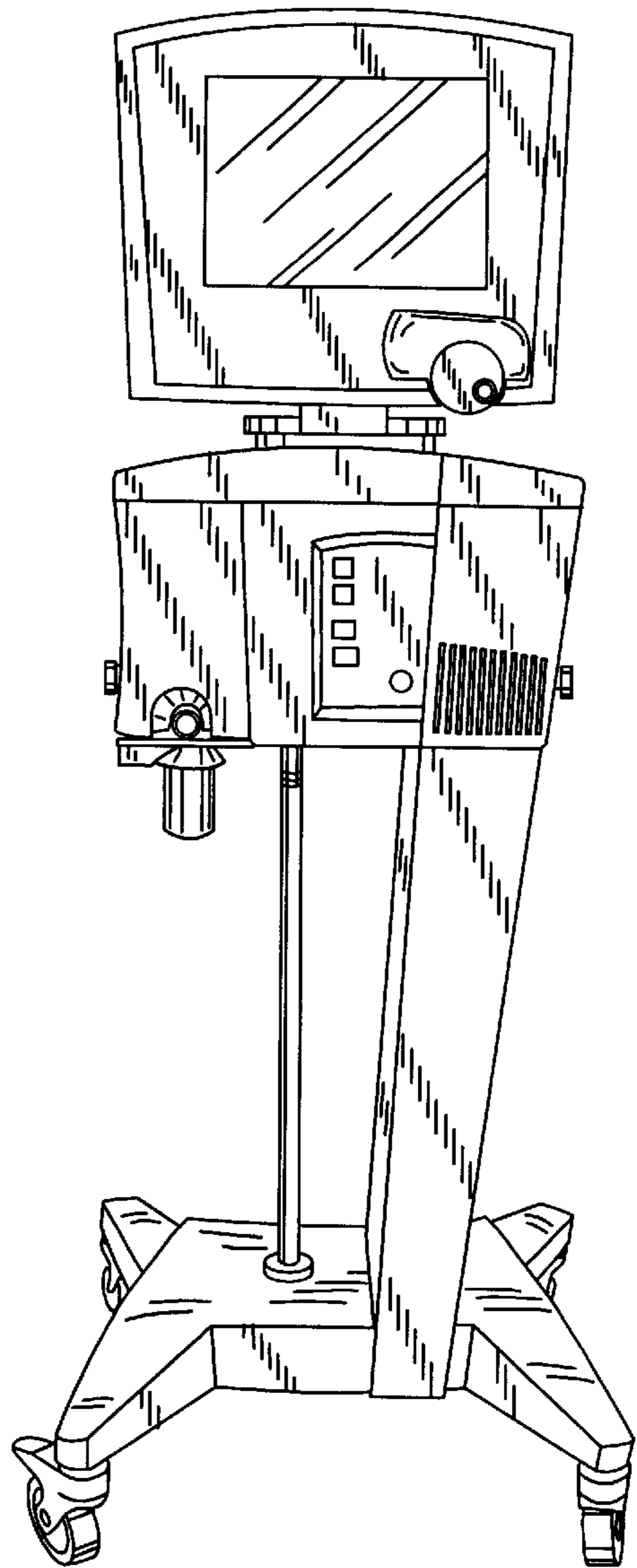


Fig. 2

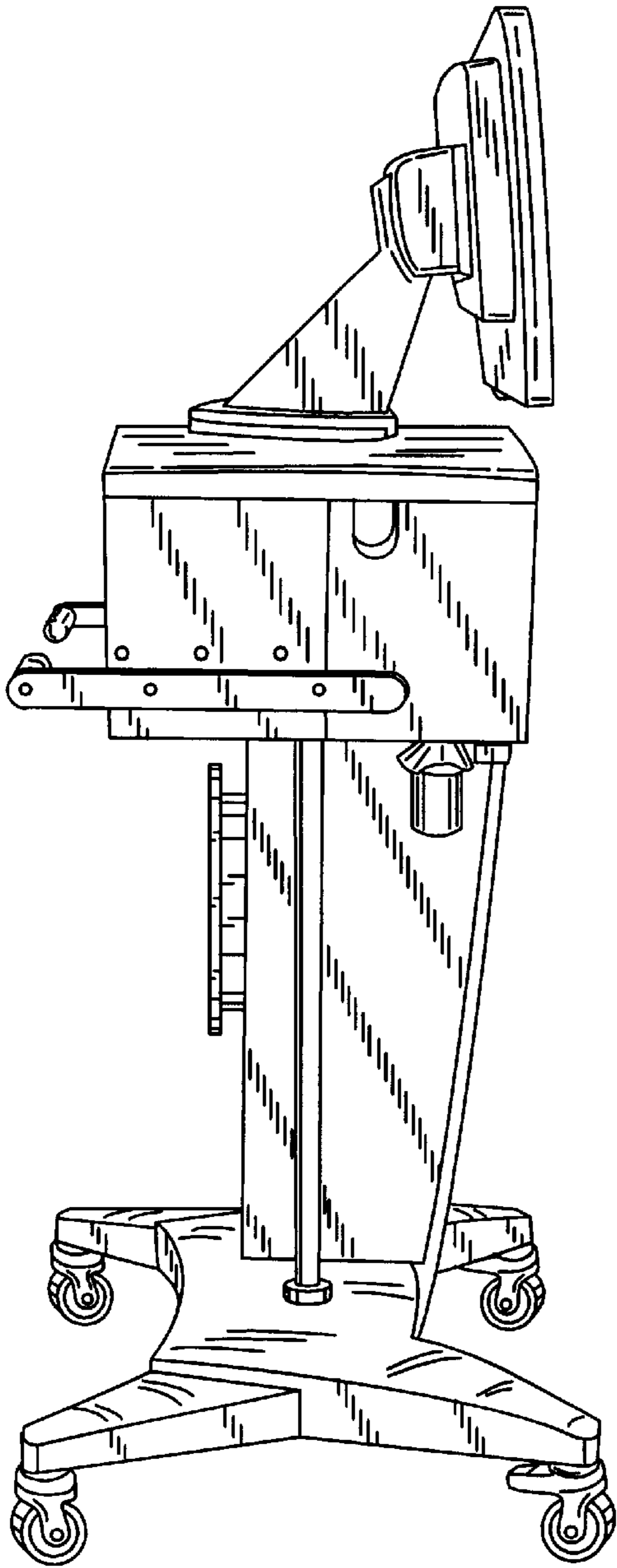


Fig. 3

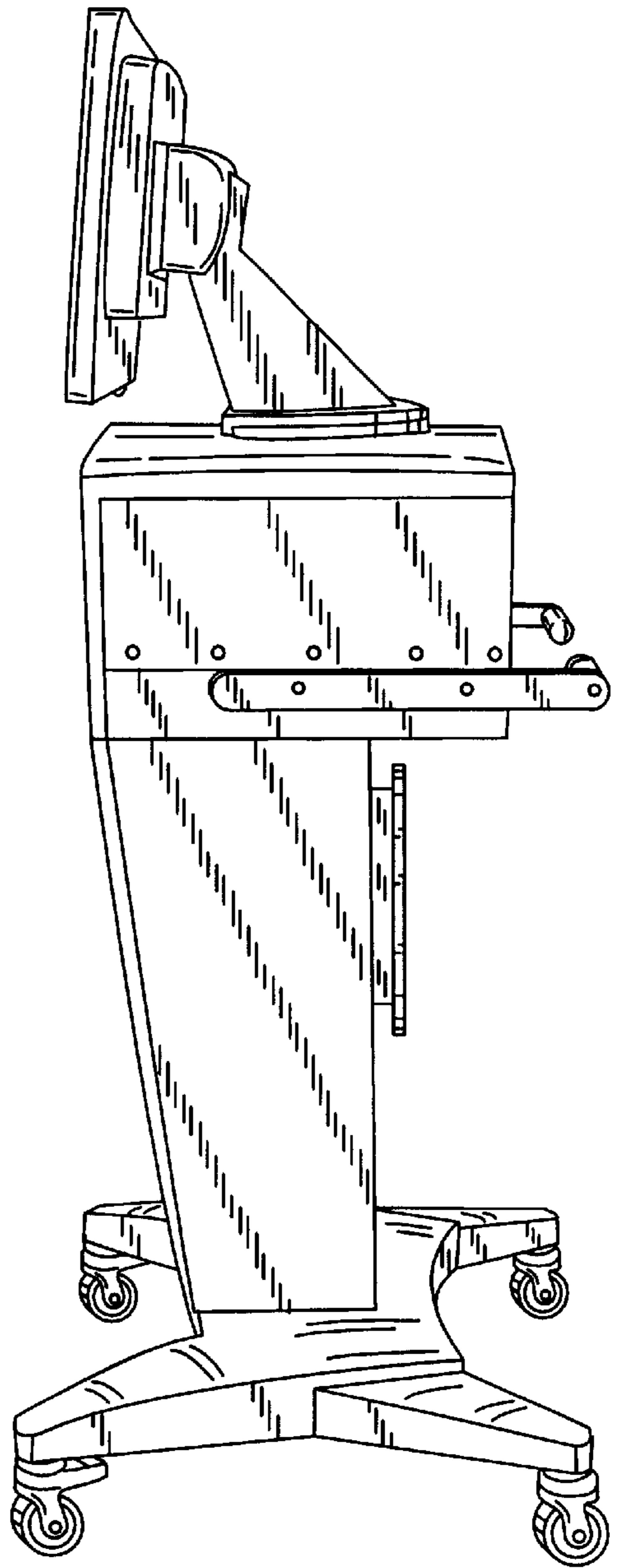


Fig. 4

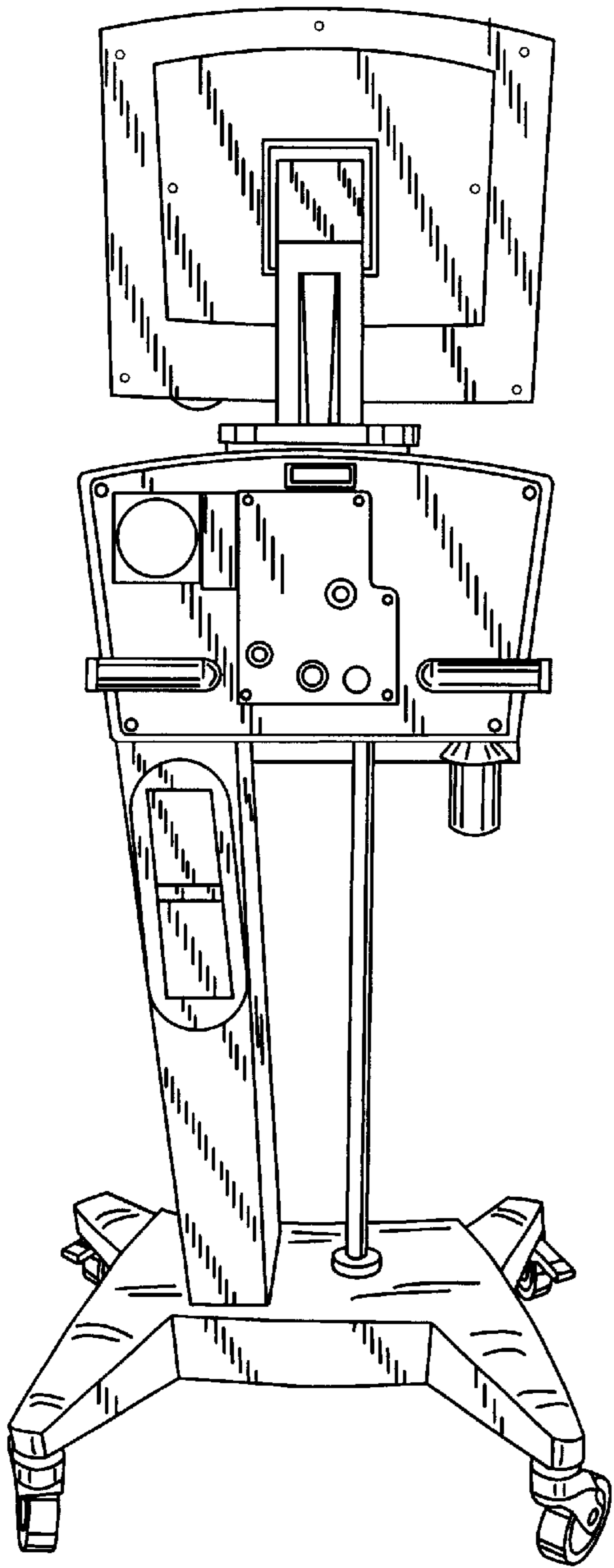


Fig. 5

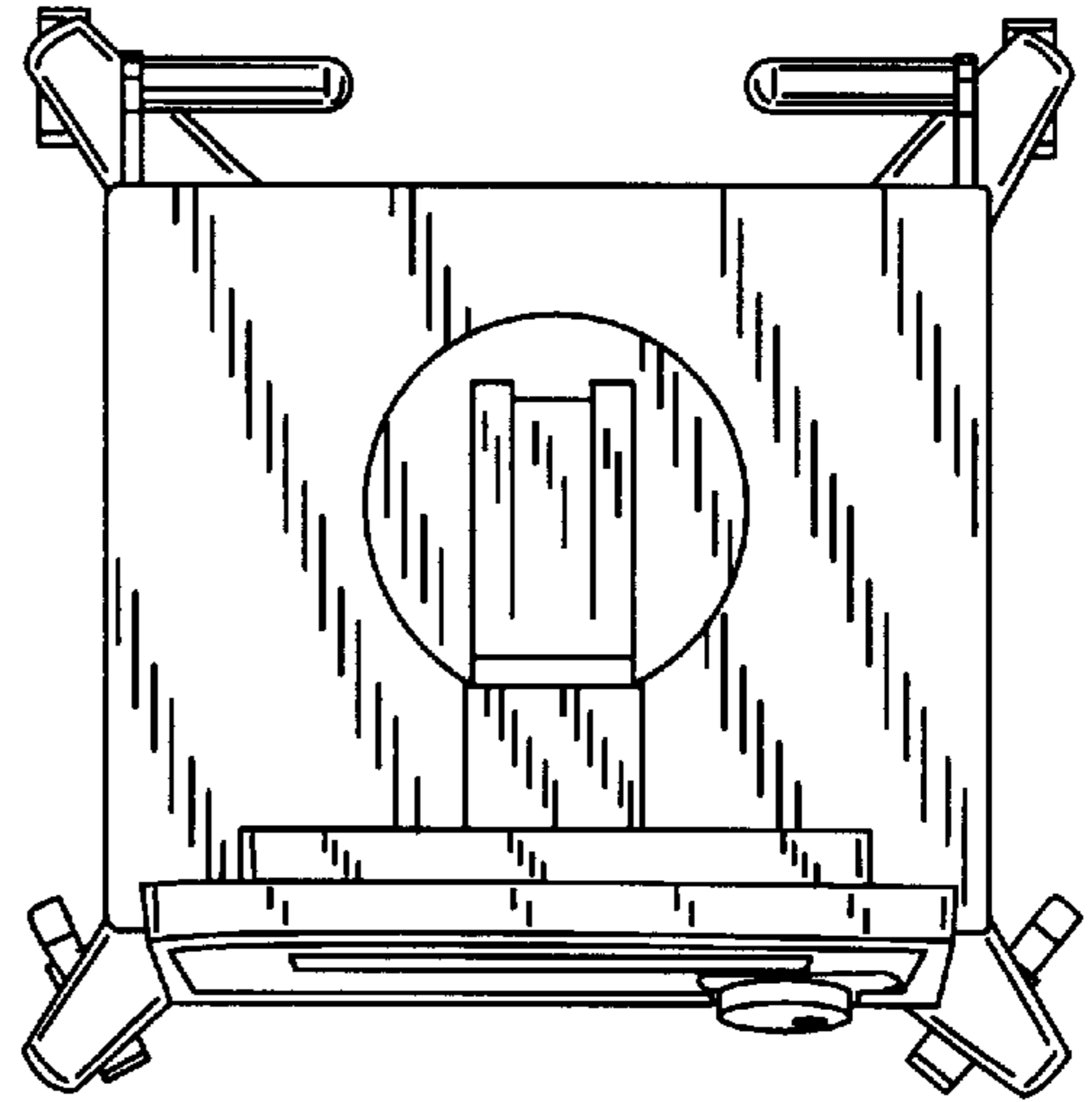


Fig. 6