



US00D459474S

(12) **United States Design Patent**
Bratt et al.

(10) **Patent No.:** **US D459,474 S**

(45) **Date of Patent:** **** Jun. 25, 2002**

(54) **STENT DELIVERY APPARATUS**

5,782,838 A * 7/1998 Beyar et al. 606/108
5,968,052 A * 10/1999 Sullivan, III et al. 606/108

(75) Inventors: **Bill Bratt**, Tempe, AZ (US);
Christopher J. Brooks, Glen Head, NY
(US); **Donald F. Van Royen**, New
York, NY (US); **Walter R**
Stoeckmann, Mahopac, NY (US)

* cited by examiner

Primary Examiner—Ian Simmons
(74) *Attorney, Agent, or Firm*—Morrison & Foerster; Todd
W. Wight

(73) Assignee: **IMPRA, Inc.**, Tempe, AZ (US)

(57) **CLAIM**

(**) Term: **14 Years**

The ornamental design for the stent delivery apparatus, as
shown and described.

(21) Appl. No.: **29/143,766**

DESCRIPTION

(22) Filed: **Jun. 19, 2001**

(51) **LOC (7) Cl.** **24-02**

(52) **U.S. Cl.** **D24/133**

(58) **Field of Search** D24/129, 133,
D24/147; 606/108, 194, 191; 623/1.11,
1.1, 27.7, 903, 921

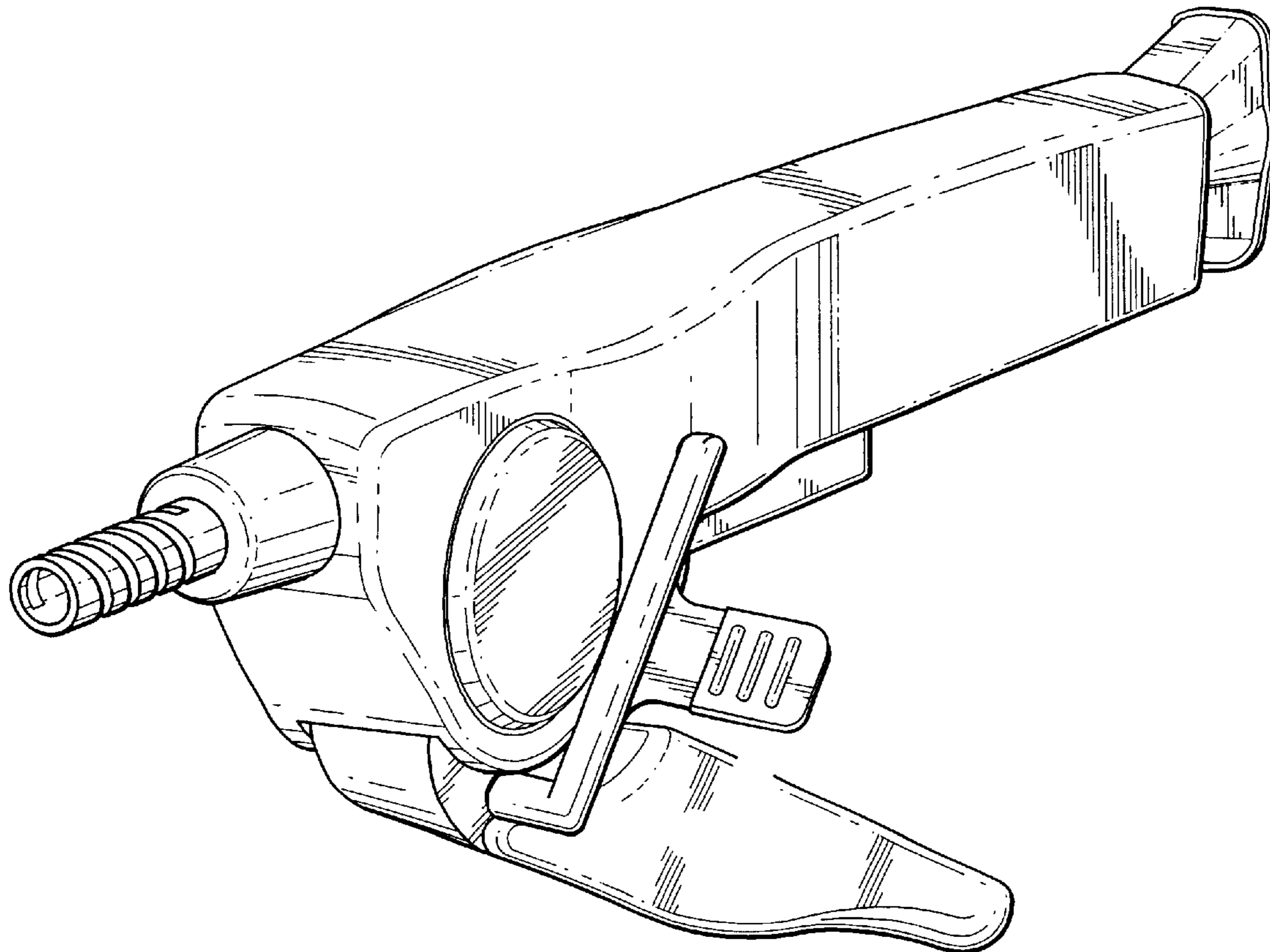
FIG. 1 is an angled perspective view of a stent delivery
apparatus showing an embodiment of our new design;
FIG. 2 is a right perspective view of our new design;
FIG. 3 is a left perspective view of our new design;
FIG. 4 is a top perspective view of our new design;
FIG. 5 is a bottom perspective view of our new design;
FIG. 6 is a front perspective view of our new design; and,
FIG. 7 is a rear perspective view of our new design.

(56) **References Cited**

U.S. PATENT DOCUMENTS

5,019,054 A * 5/1991 Clement et al. D24/129

1 Claim, 3 Drawing Sheets



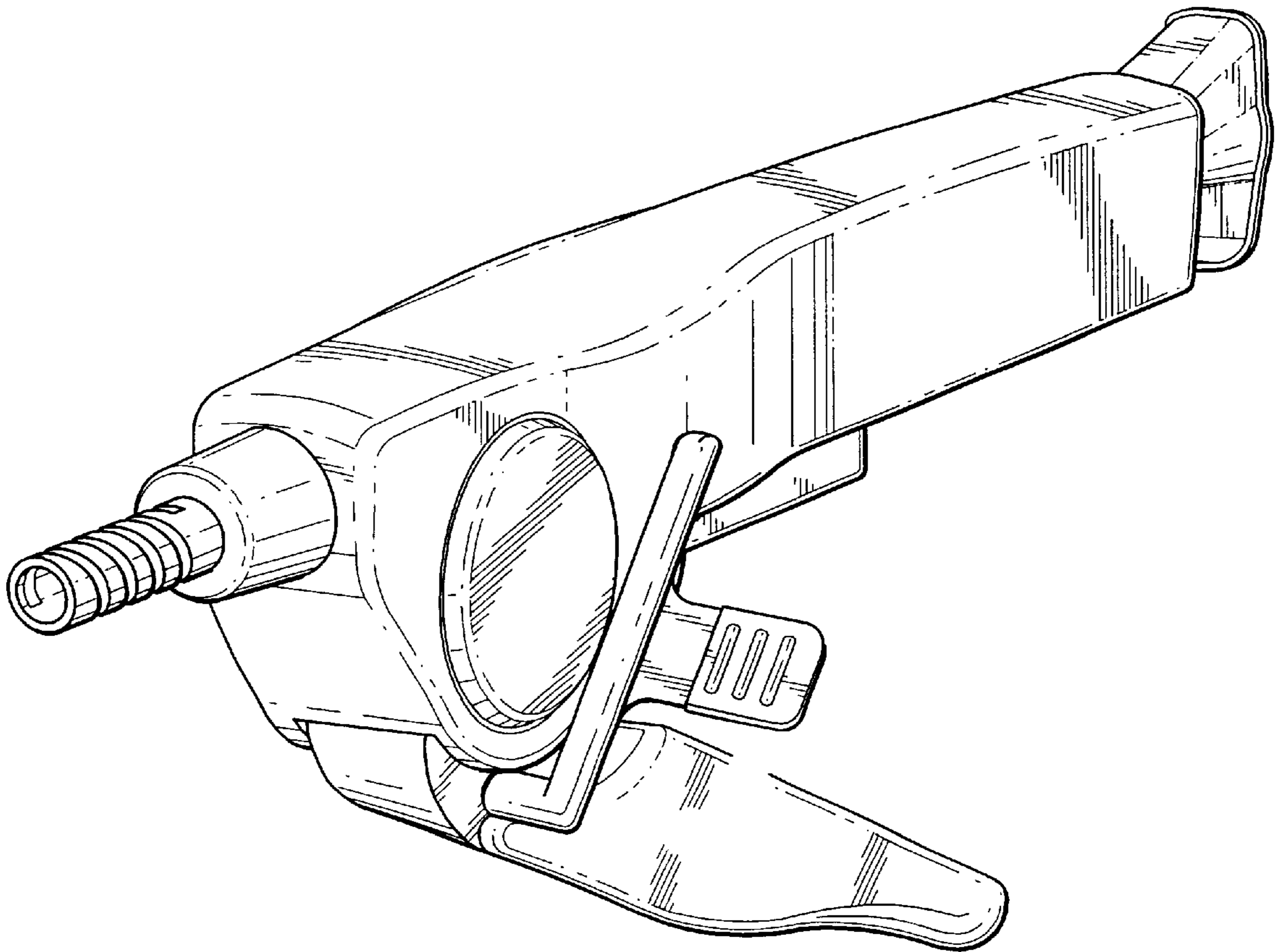


FIG. 1

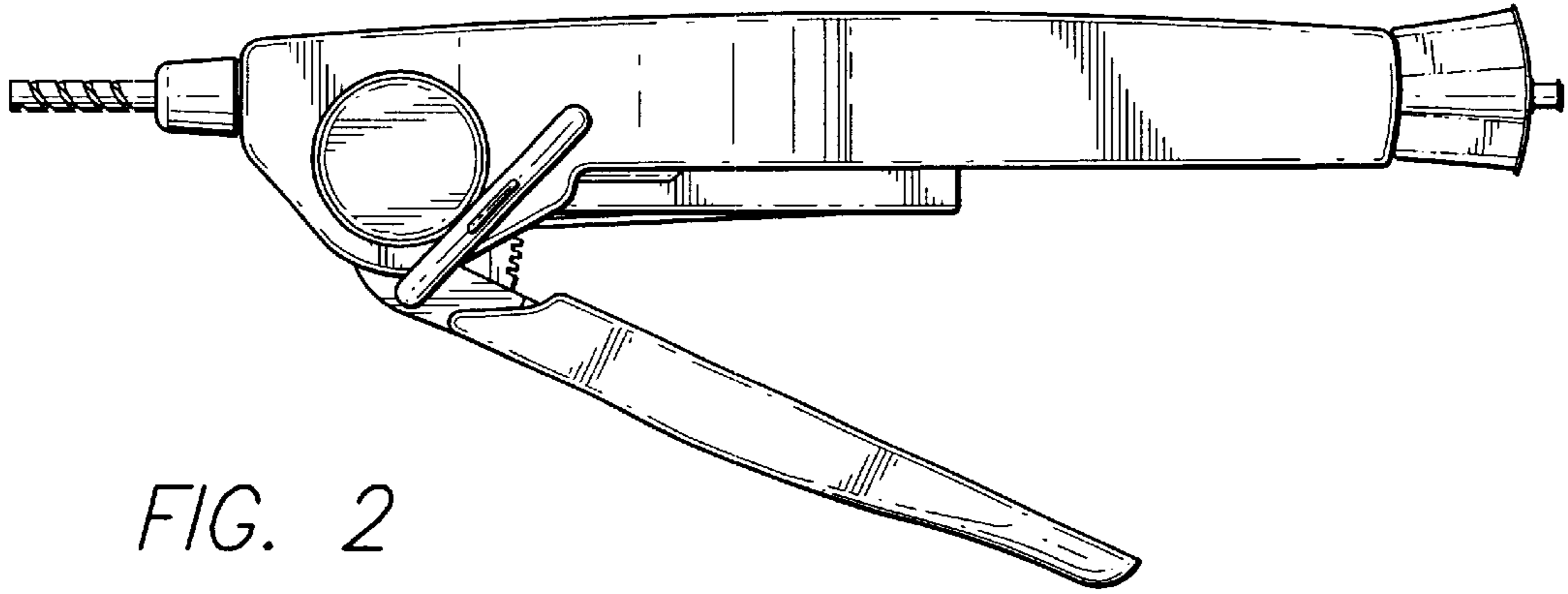


FIG. 2

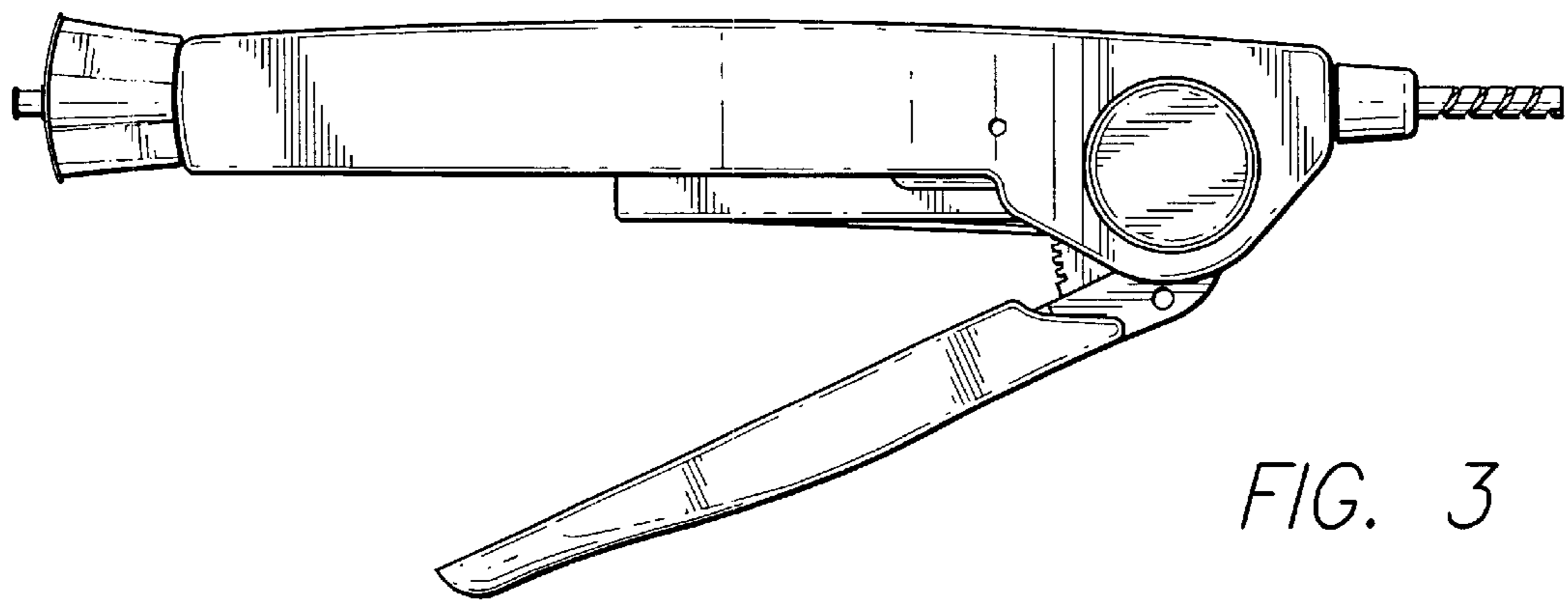


FIG. 3

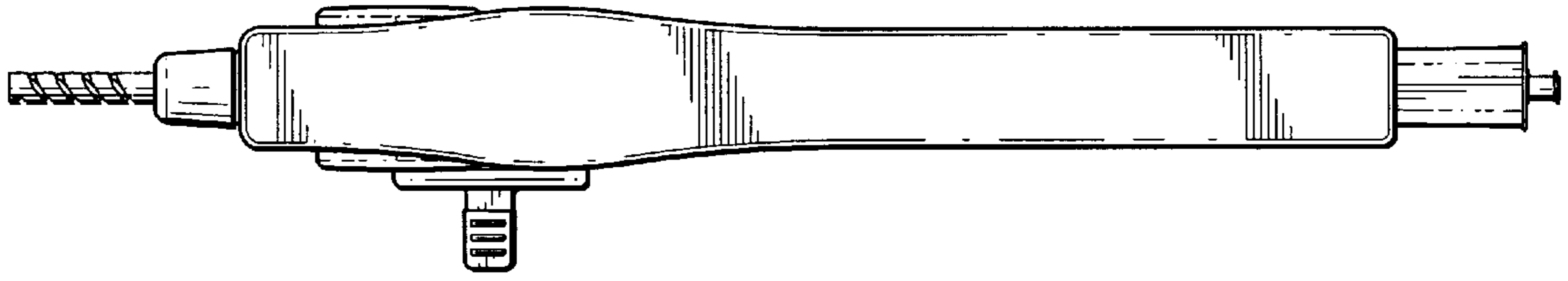


FIG. 4

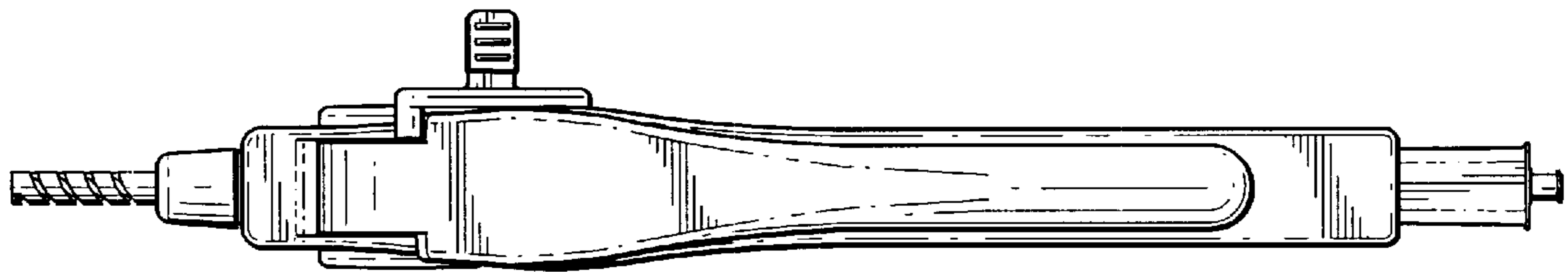


FIG. 5

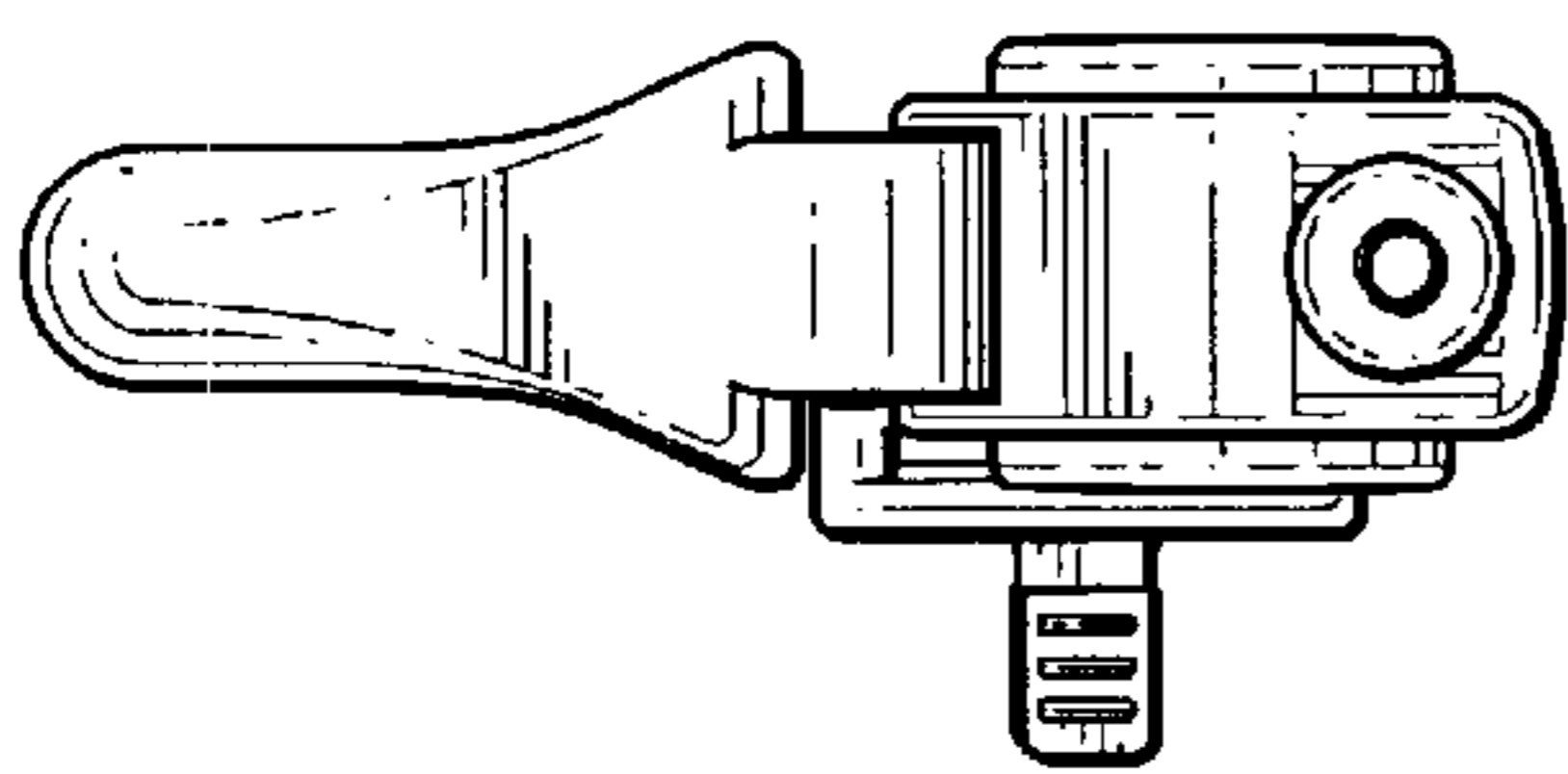


FIG. 6

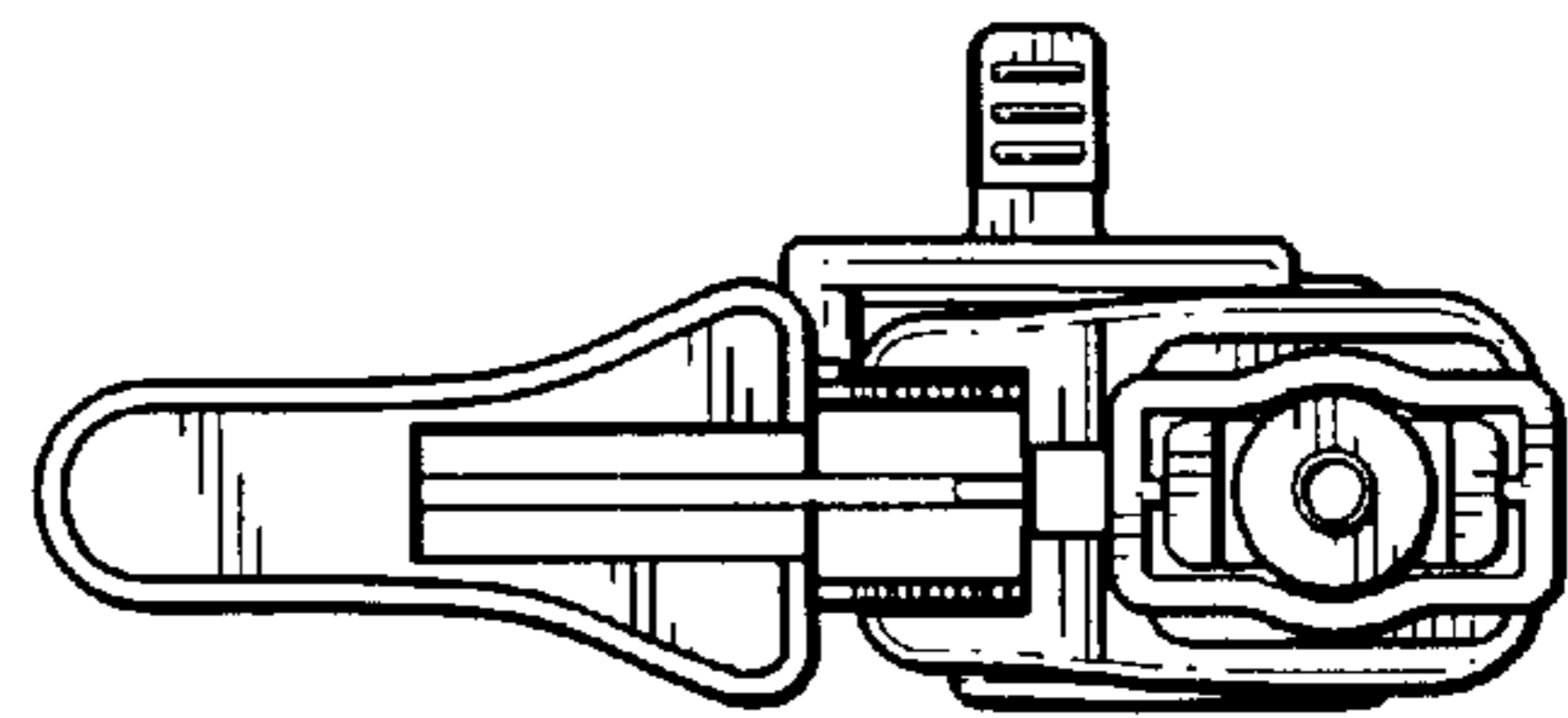


FIG. 7