



US00D459471S

(12) **United States Design Patent**
Curran et al.

(10) **Patent No.: US D459,471 S**

(45) **Date of Patent: ** *Jun. 25, 2002**

(54) **PERSONAL RESPIRATORY PROTECTION
DEVICE THAT HAS A THREE PANELLED
LOOK**

GB 388638 3/1933
GB 2 072 516 A 10/1981
GB 2 103 491 A 2/1983

(75) Inventors: **Desmond T. Curran**, Durham; **John
W. Bryant**, High Shincliffe;
Christopher P. Henderson, Durham,
all of (GB)

OTHER PUBLICATIONS

Racal Health & Safety Product Literature for "Delta™
Disposable Respirators" (1993).

(73) Assignee: **3M Innovative Properties Company**,
St. Paul, MN (US)

Glendale Optical Company Product Literature for "Glendale
Respiratory Protection" (Feb. 1983).

(*) Notice: This patent is subject to a terminal dis-
claimer.

Europa Safety Products (ESP) product literature entitled
"The Next Generation In Safety" for their CN range of
respirators (no date).

(**) Term: **14 Years**

Primary Examiner—Stella Reid

(21) Appl. No.: **29/104,425**

(74) *Attorney, Agent, or Firm*—Karl G. Hanson

(22) Filed: **May 5, 1999**

(57) **CLAIM**

Related U.S. Application Data

The ornamental design for a personal respiratory protection
device that has a three panelled look, as shown and
described.

(62) Division of application No. 29/062,787, filed on Nov. 25,
1996, now abandoned.

DESCRIPTION

(51) **LOC (7) Cl.** **29-02**

(52) **U.S. Cl.** **D24/110**

(58) **Field of Search** D24/110.1; 128/206.12,
128/206.19, 206.21, 206.27, 207.13, 205.25

FIG. 1 is a perspective view showing the new design for a
personal respiratory protection device that has a three-
paneled look.

(56) **References Cited**

U.S. PATENT DOCUMENTS

- 1,987,922 A 1/1935 Blatt
- 2,012,505 A 8/1935 Goldsmith
- 2,029,947 A 2/1936 Schmitt et al.
- 2,565,124 A 8/1951 Durborow
- 2,752,916 A 7/1956 Haliczzer
- RE24,549 E 10/1958 Haliczzer
- 3,288,138 A * 11/1966 Sachs D24/110.1 X
- 3,971,369 A 7/1976 Aspelin et al.
- 4,248,220 A 2/1981 White

FIG. 2 is a front elevational view thereof.

FIG. 3 is a rear elevational view thereof.

FIG. 4 is a top elevational view thereof. The bottom view is
a mirror image of the top view; and,

FIG. 5 is a right elevational view thereof. The left side is a
mirror image of the right side.

The shading shown in the drawings is provided only to
highlight the contour of the design. It does not illustrate
texture or serve any other purpose.

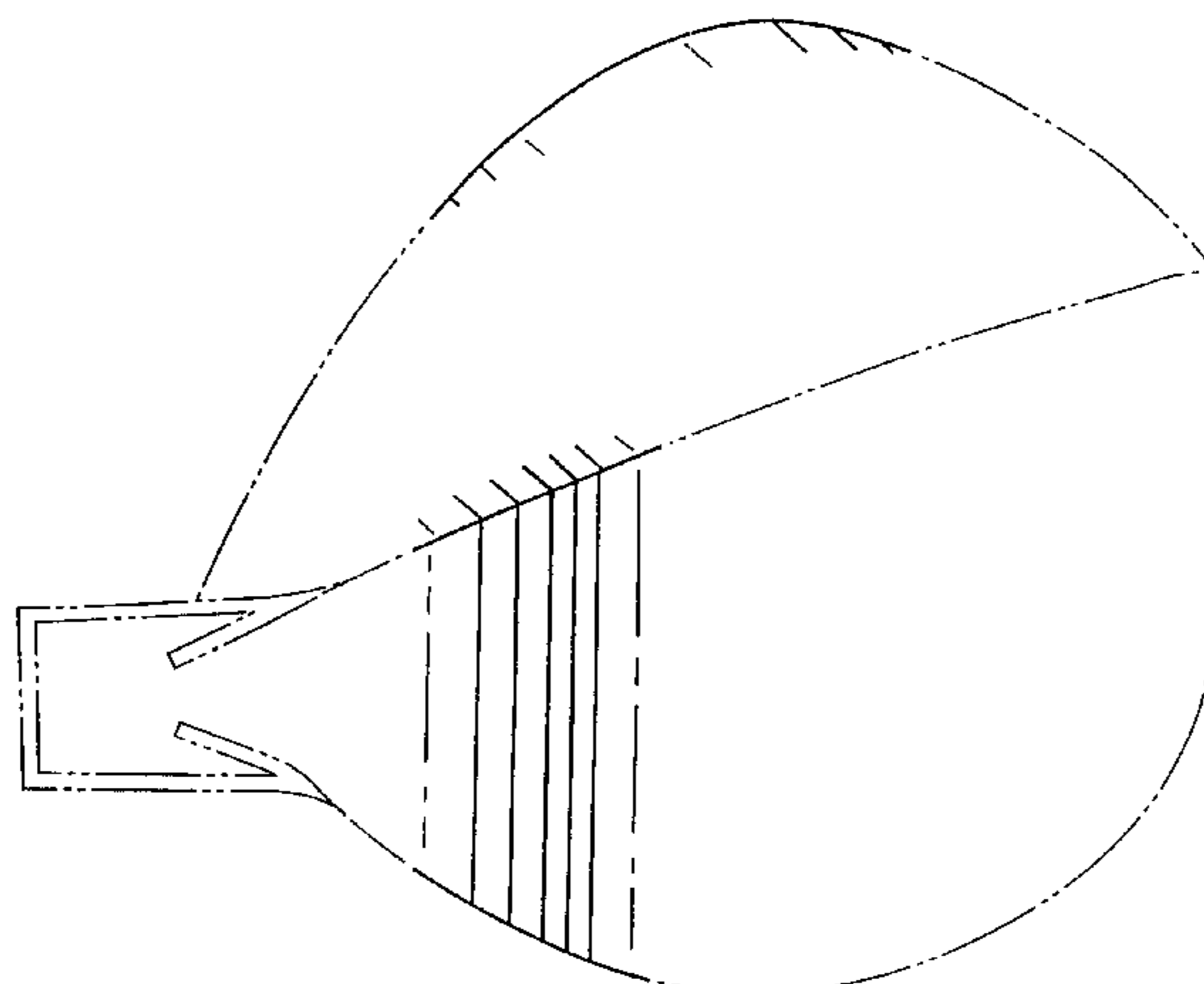
The broken lines shown in the drawings are for illustrative
purposes only and form no part of the claimed design.

(List continued on next page.)

FOREIGN PATENT DOCUMENTS

EP 0 183 059 A1 6/1986

1 Claim, 3 Drawing Sheets



US D459,471 S

Page 2

U.S. PATENT DOCUMENTS

4,300,549 A	11/1981	Parker	4,827,924 A	5/1989	Japuntich
4,417,575 A	11/1983	Hilton et al.	4,941,470 A	7/1990	Hubbard et al.
4,628,927 A *	12/1986	Ward 128/206.17	5,035,006 A *	7/1991	Hertz et al. 2/209.11
D287,649 S	1/1987	Zdrok et al.	D326,541 S *	5/1992	McBrearty, Jr. D24/110.1
4,643,182 A	2/1987	Klein	5,322,061 A	6/1994	Brunson
			D380,545 S *	7/1997	Nozaki et al. D24/110.1

* cited by examiner

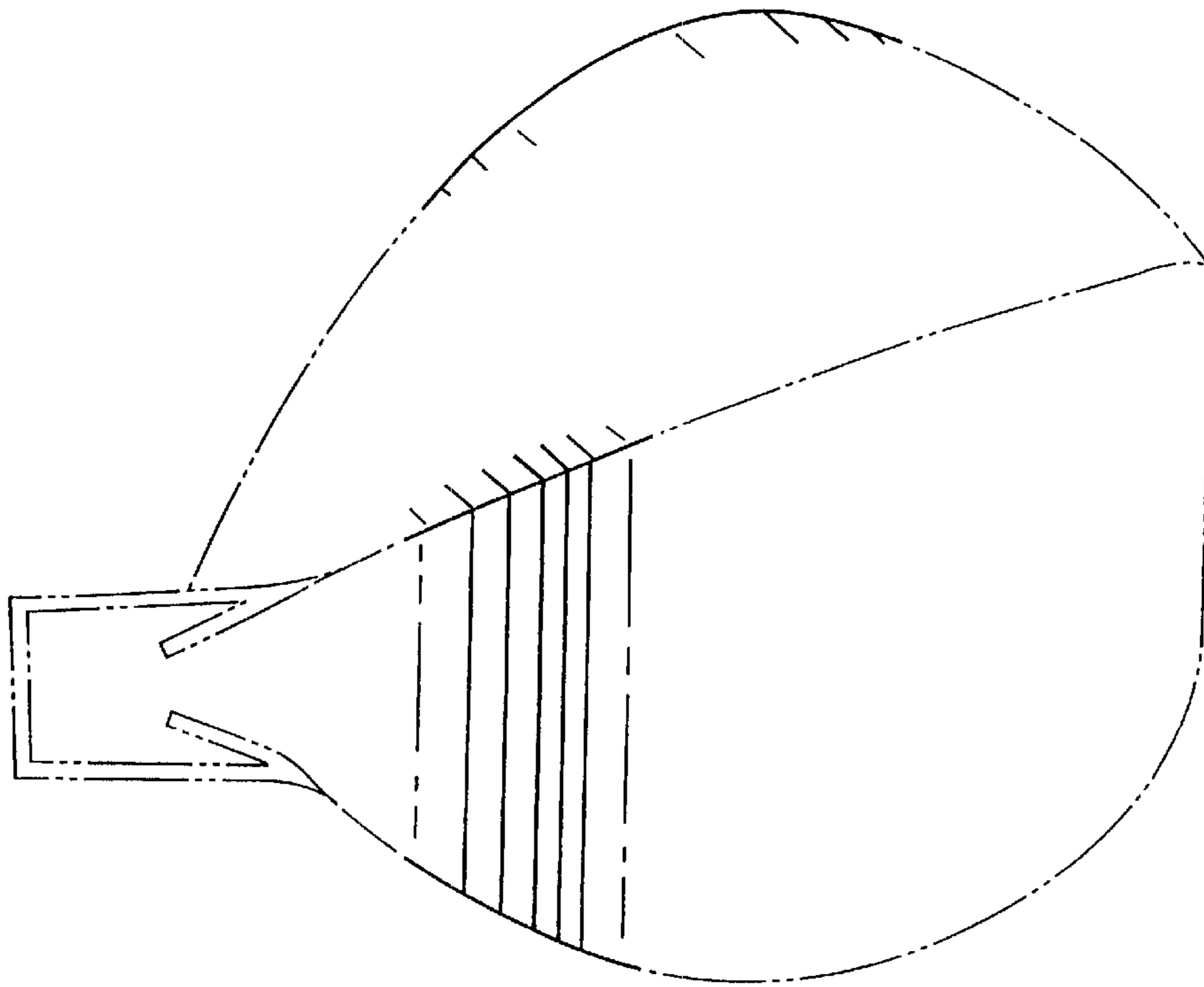


Fig. 1

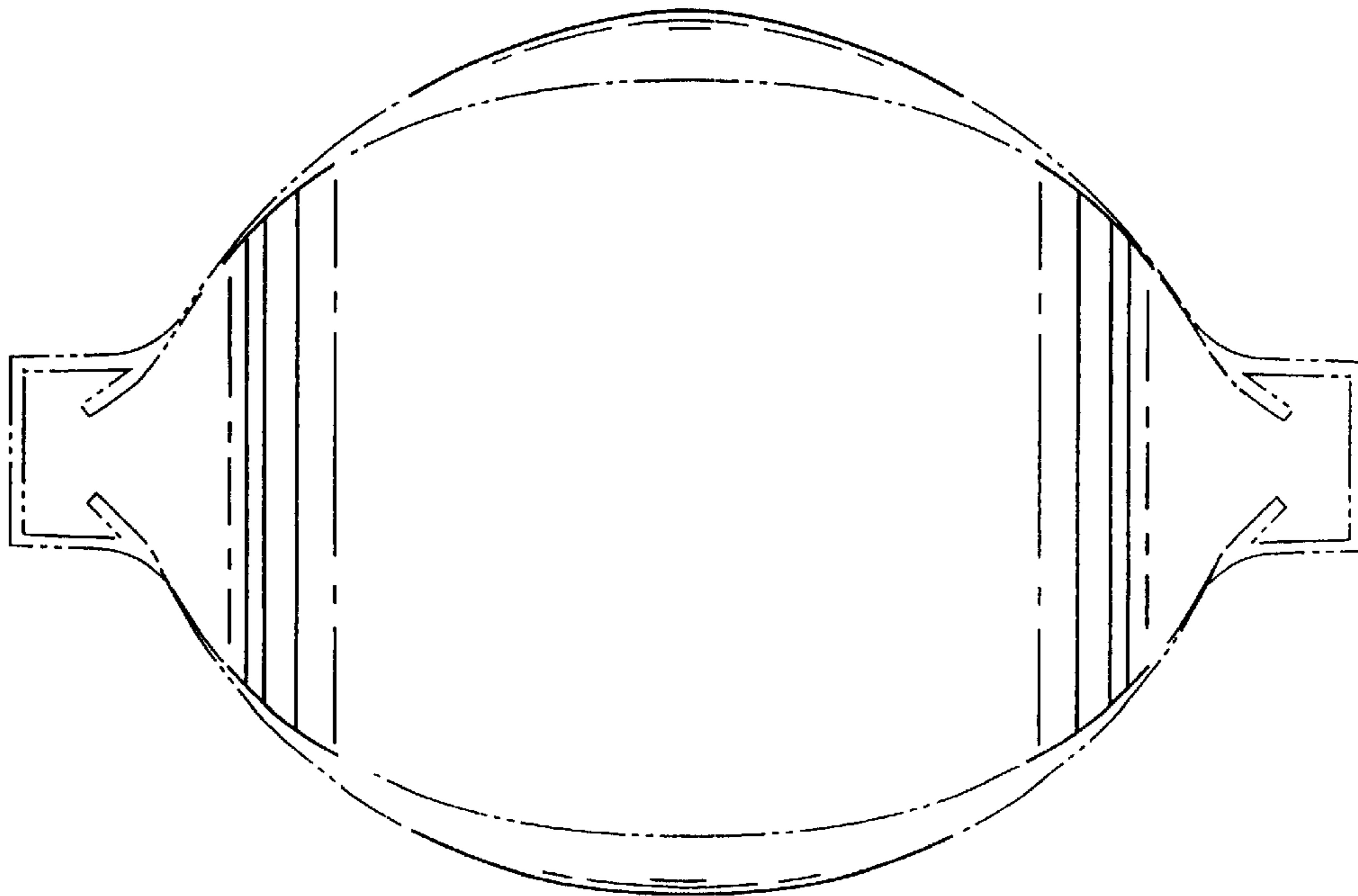


Fig. 2

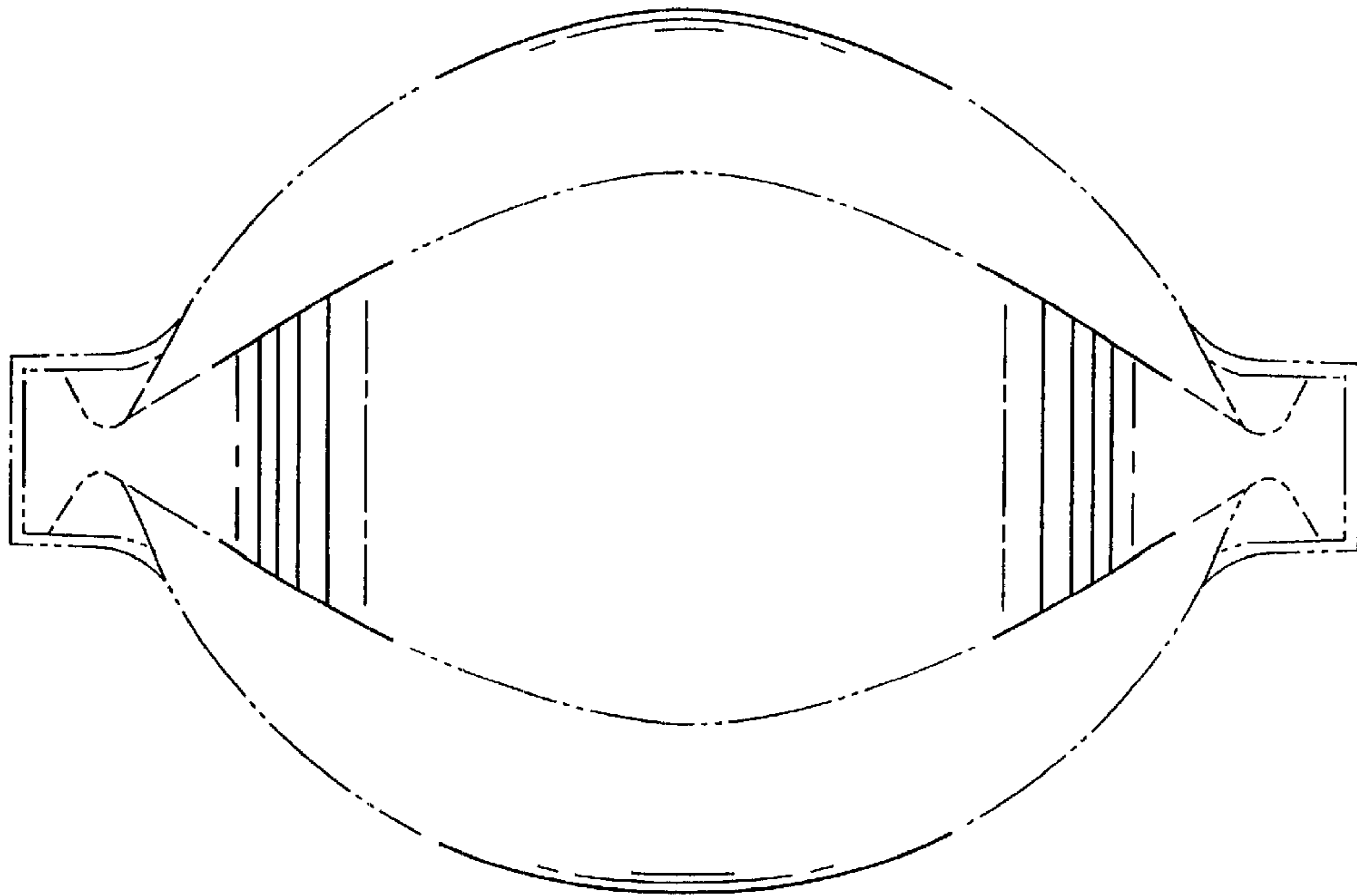


Fig. 3

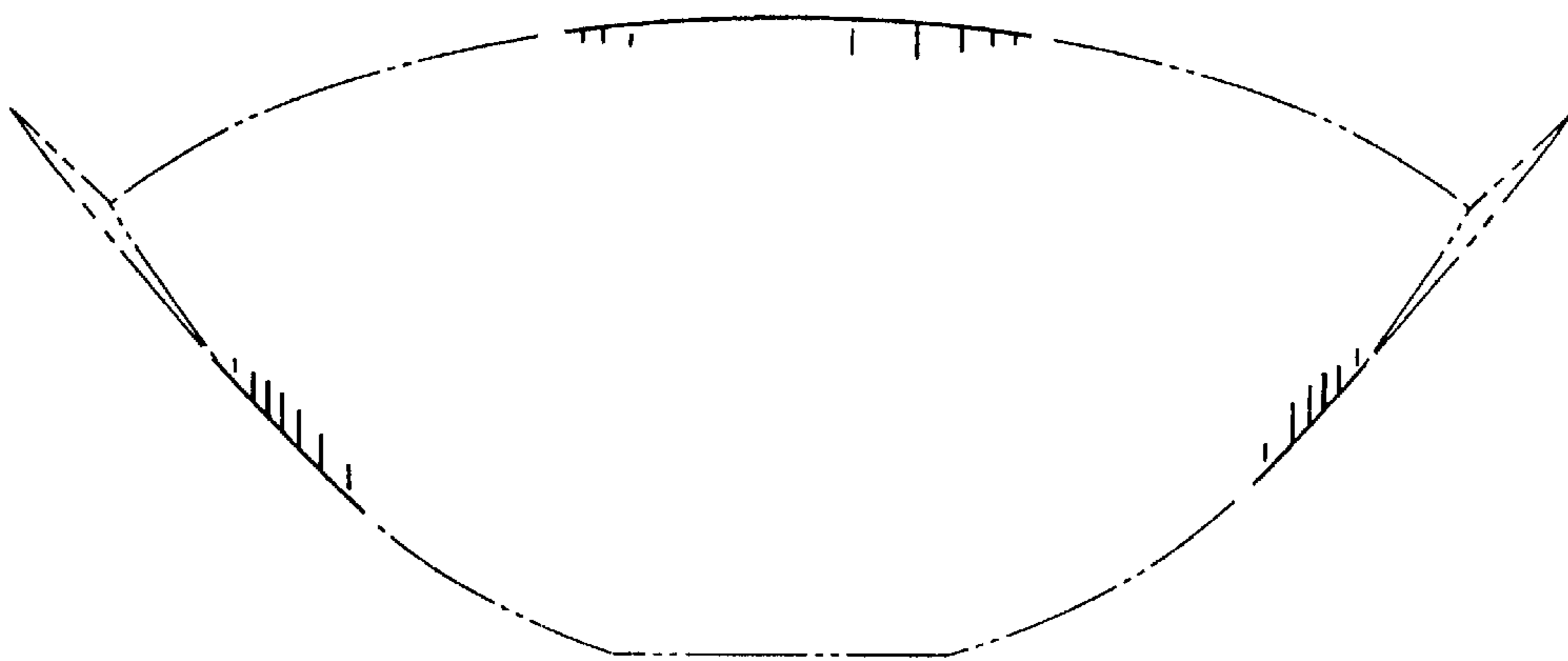


Fig. 4

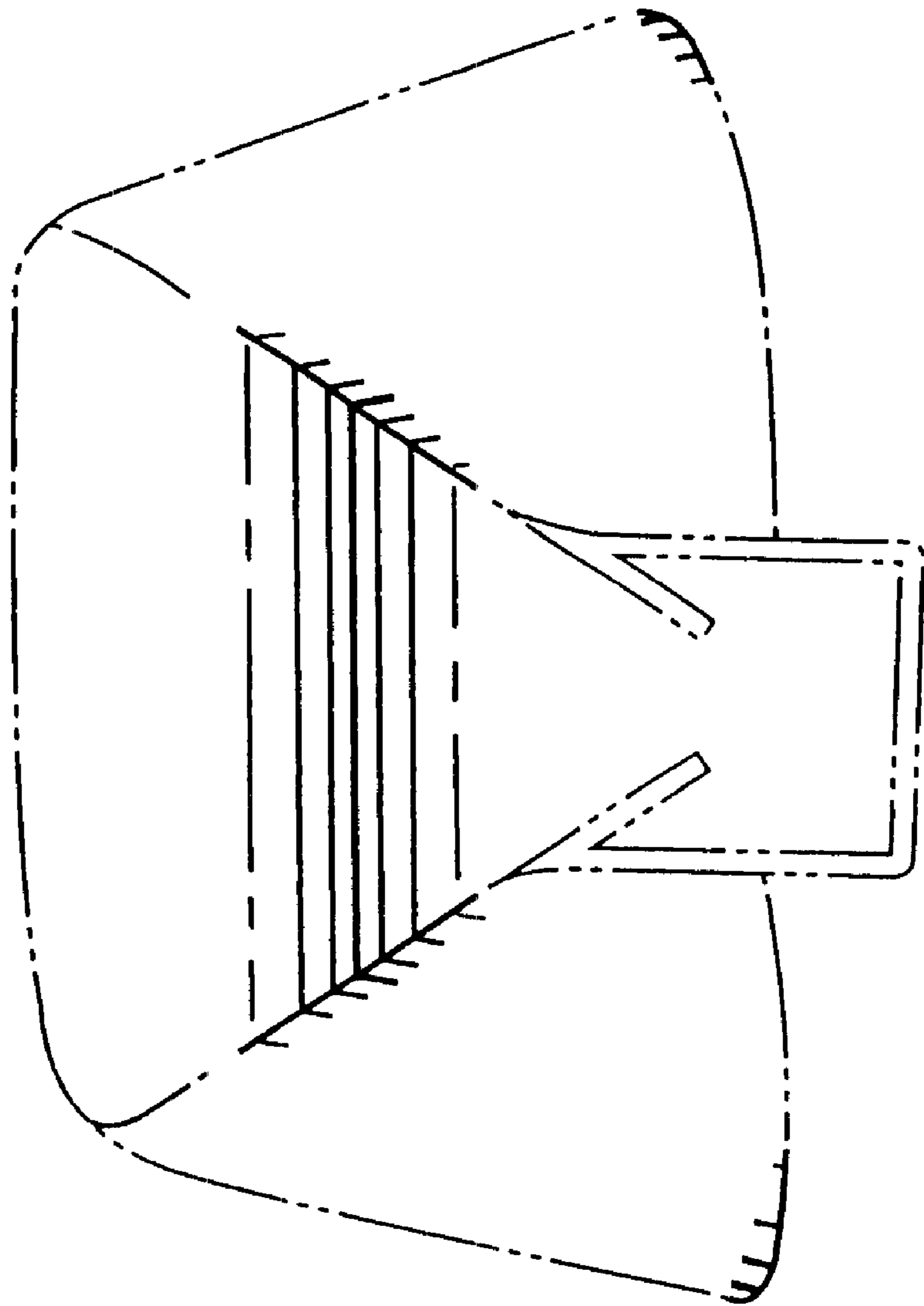


Fig. 5

UNITED STATES PATENT AND TRADEMARK OFFICE
CERTIFICATE OF CORRECTION

PATENT NO. : Des. 459,471 S
DATED : June 25, 2002
INVENTOR(S) : Curran, Desmond T.

Page 1 of 1

It is certified that error appears in the above-identified patent and that said Letters Patent is hereby corrected as shown below:

Title page,

Item [54], Title, "**PANELLED**" should read as -- **PANELED** --.

Item [57], **CLAIM**, "panelled" should read as -- paneled --.

Signed and Sealed this

Fifth Day of November, 2002

Attest:

A handwritten signature in black ink, appearing to read "James E. Rogan", with a horizontal line drawn underneath it.

Attesting Officer

JAMES E. ROGAN
Director of the United States Patent and Trademark Office