



US00D459469S

(12) **United States Design Patent**  
**Johnson**

(10) **Patent No.:** **US D459,469 S**

(45) **Date of Patent:** **\*\* Jun. 25, 2002**

(54) **MALE CONDOM HARNESS**

(76) Inventor: **Joseph T. Johnson**, 8028 Regent Park  
La., Charlotte, NC (US) 28210

(\*\*) Term: **14 Years**

(21) Appl. No.: **29/140,743**

(22) Filed: **Apr. 24, 2001**

(51) **LOC (7) Cl.** ..... **28-01**

(52) **U.S. Cl.** ..... **D24/105; D24/143**

(58) **Field of Search** ..... D24/105, 143;  
128/844, 842, 845, 918, 917; 600/38, 41;  
604/349

(56) **References Cited**

**U.S. PATENT DOCUMENTS**

|             |   |         |         |       |         |
|-------------|---|---------|---------|-------|---------|
| D410,741 S  | * | 6/1999  | Chaney  | ..... | D24/143 |
| D417,502 S  | * | 12/1999 | Johnson | ..... | D24/105 |
| 6,102,043 A | * | 8/2000  | Johnson | ..... | 128/844 |
| D439,968 S  | * | 4/2001  | Johnson | ..... | D24/105 |
| D444,223 S  | * | 6/2001  | Johnson | ..... | D24/105 |

\* cited by examiner

*Primary Examiner*—Ian Simmons

(74) *Attorney, Agent, or Firm*—Christopher C. Dremann

(57) **CLAIM**

The ornamental design for a male condom harness, as shown and described.

**DESCRIPTION**

FIG. 1 is a perspective view of a preferred embodiment of a male condom harness according to the invention having one scrotum band and four application handles;

FIG. 2 is a top plan view of the male condom harness of FIG. 1;

FIG. 3 is a bottom plan view of the male condom harness of FIG. 1;

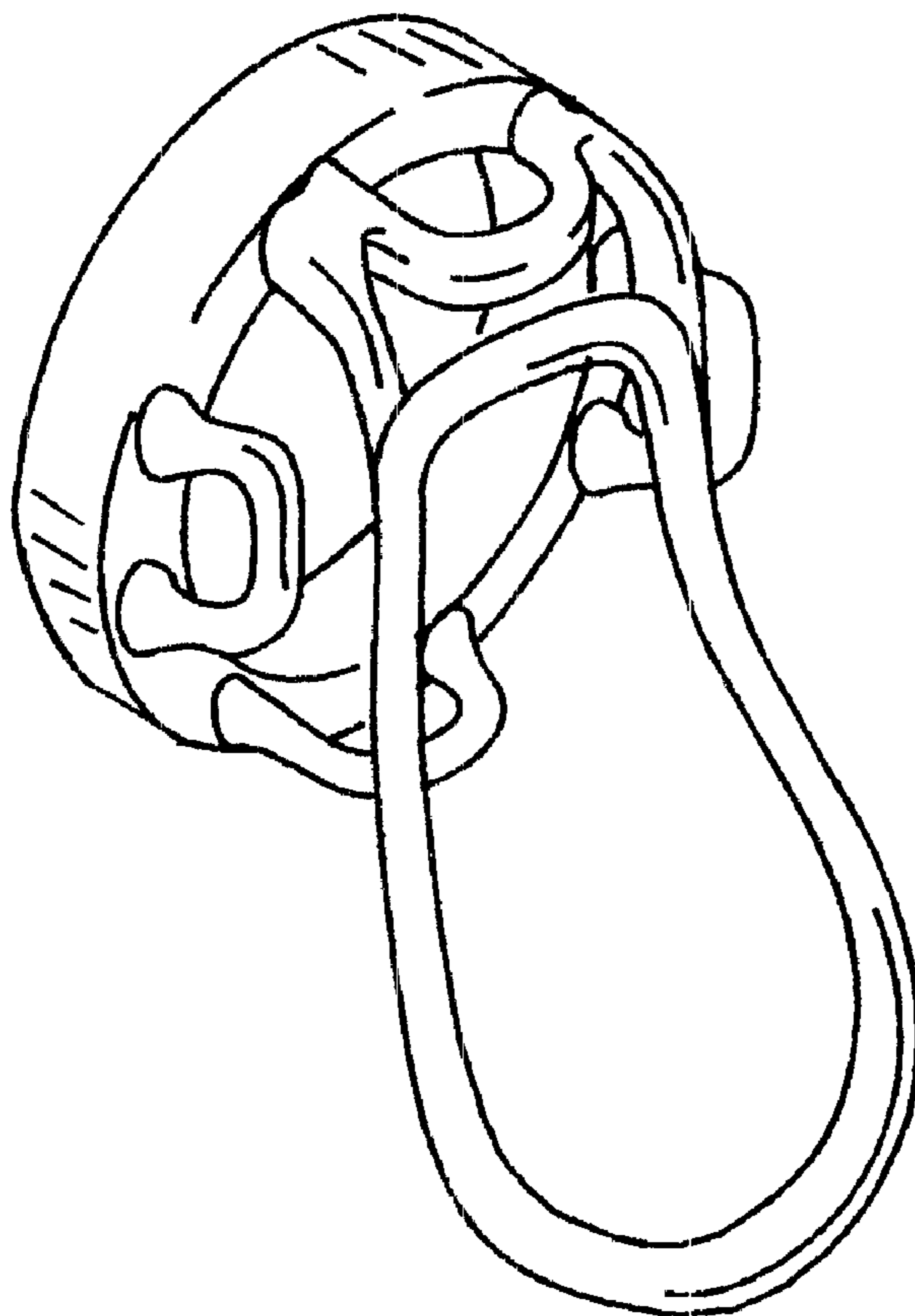
FIG. 4 is a front end elevation view of the male condom harness of FIG. 1;

FIG. 5 is a left side elevation view of the male condom harness of FIG. 1;

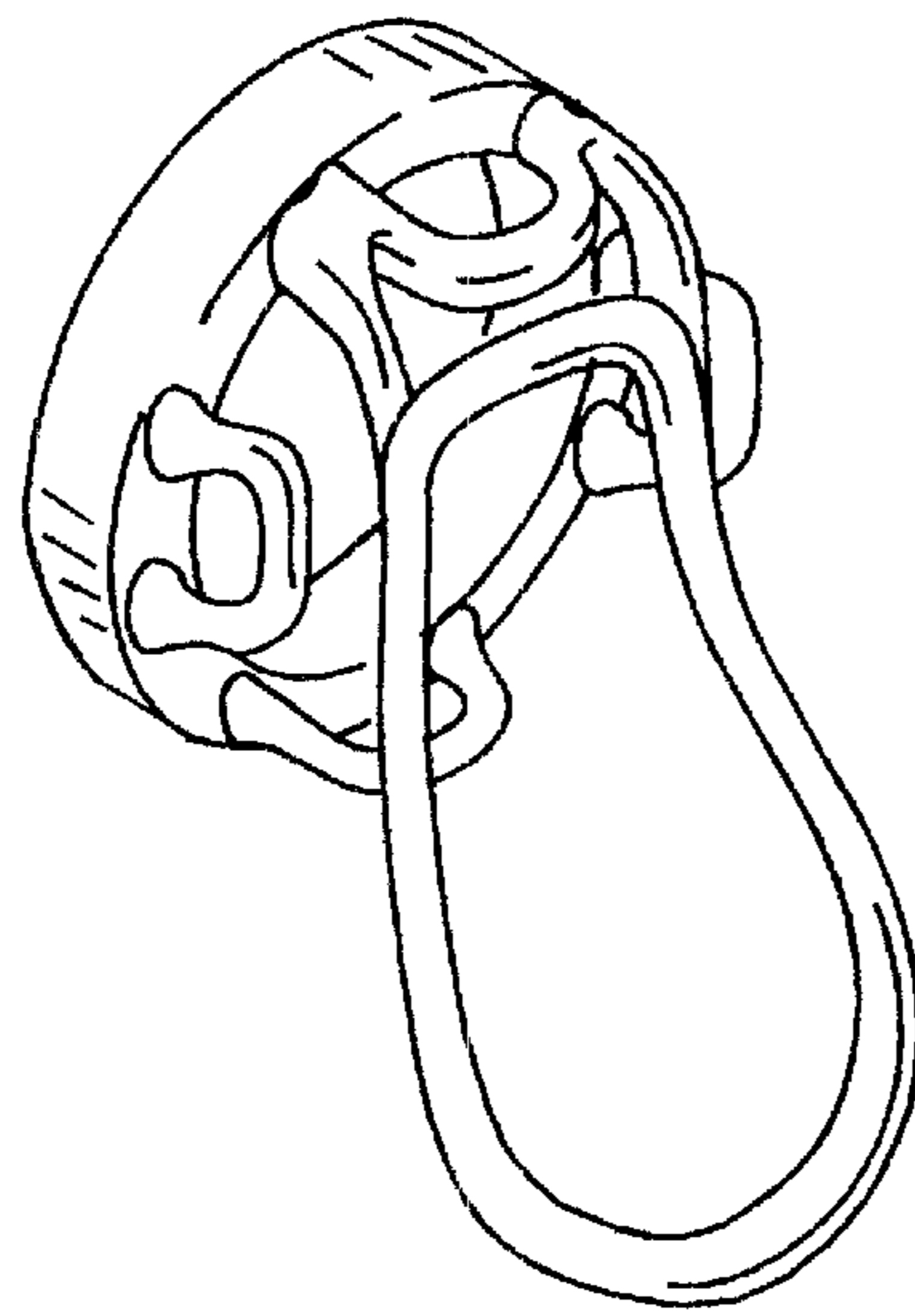
FIG. 6 is a rear end elevation view of the male condom harness of FIG. 1; and,

FIG. 7 is a right side elevation view of the male condom harness of FIG. 1.

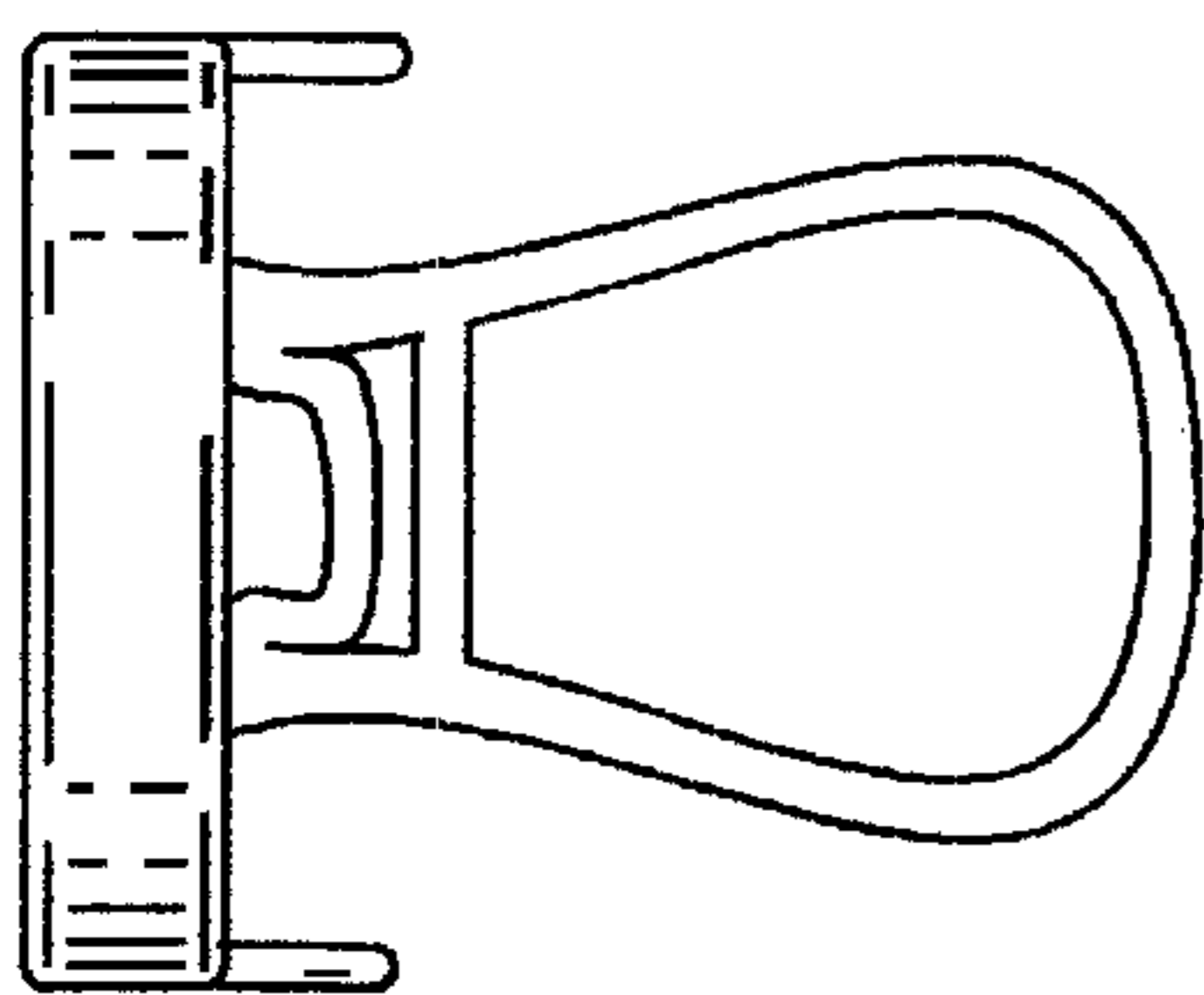
**1 Claim, 2 Drawing Sheets**



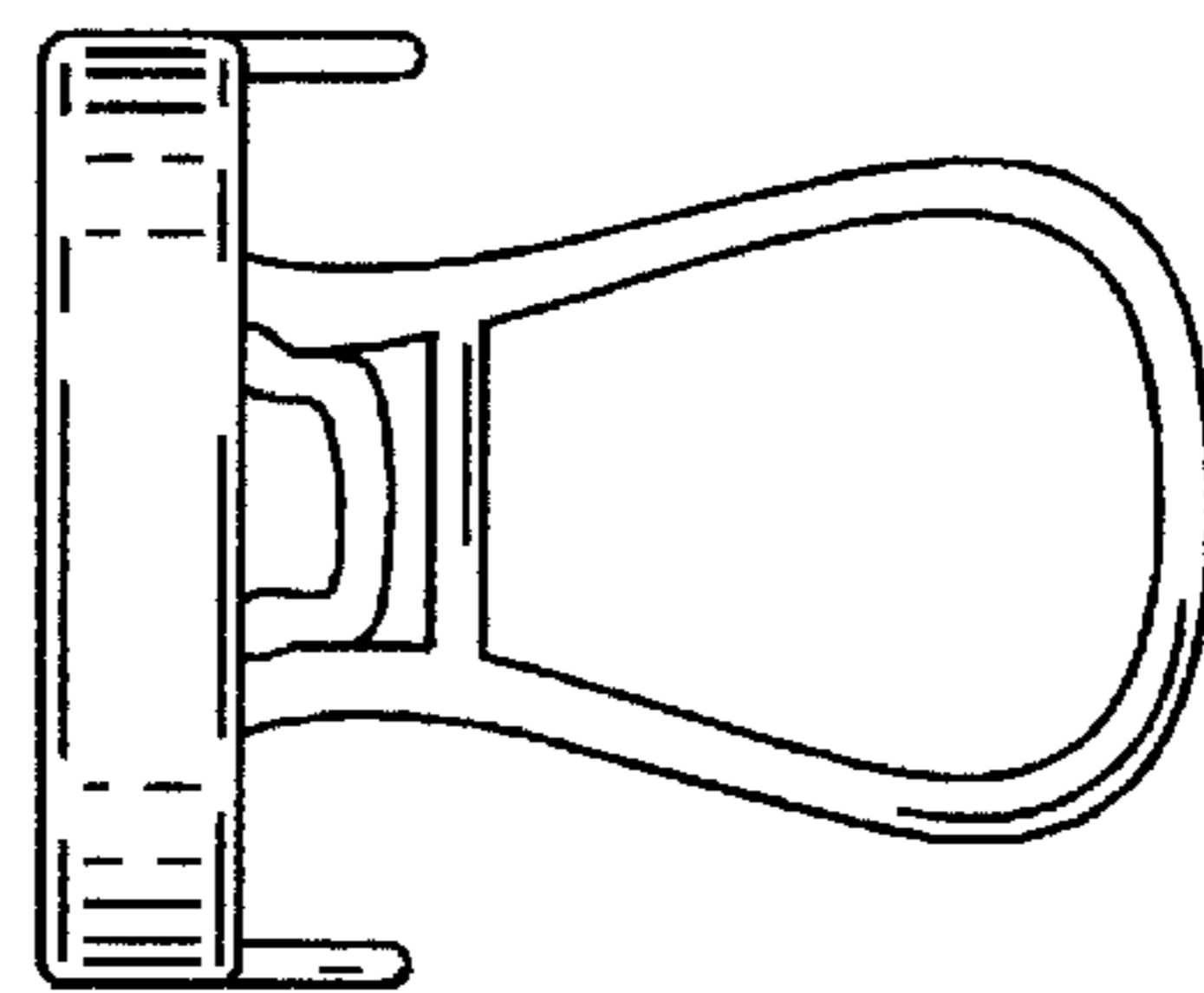
*Fig. 1*



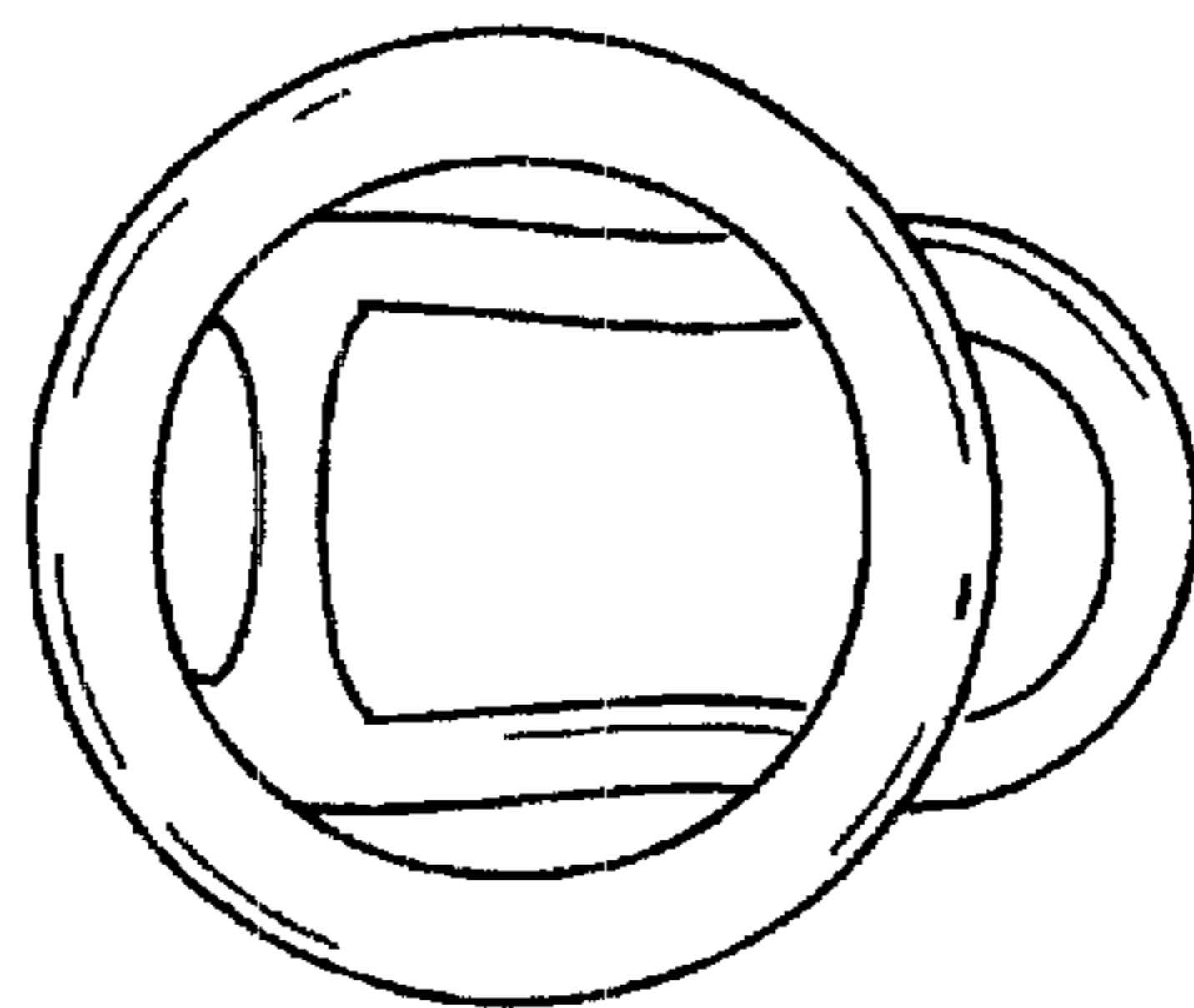
*Fig. 2*



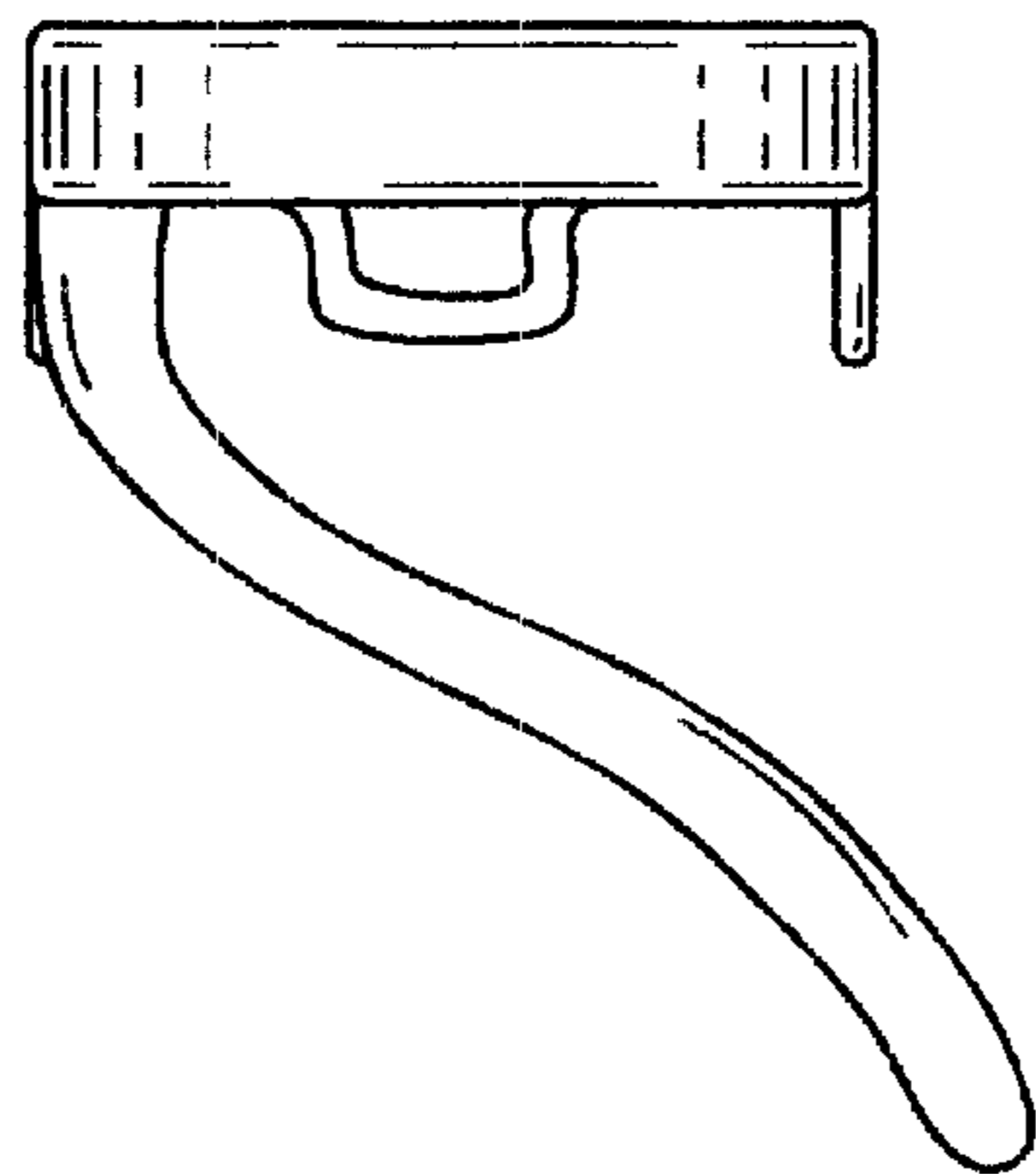
*Fig. 3*



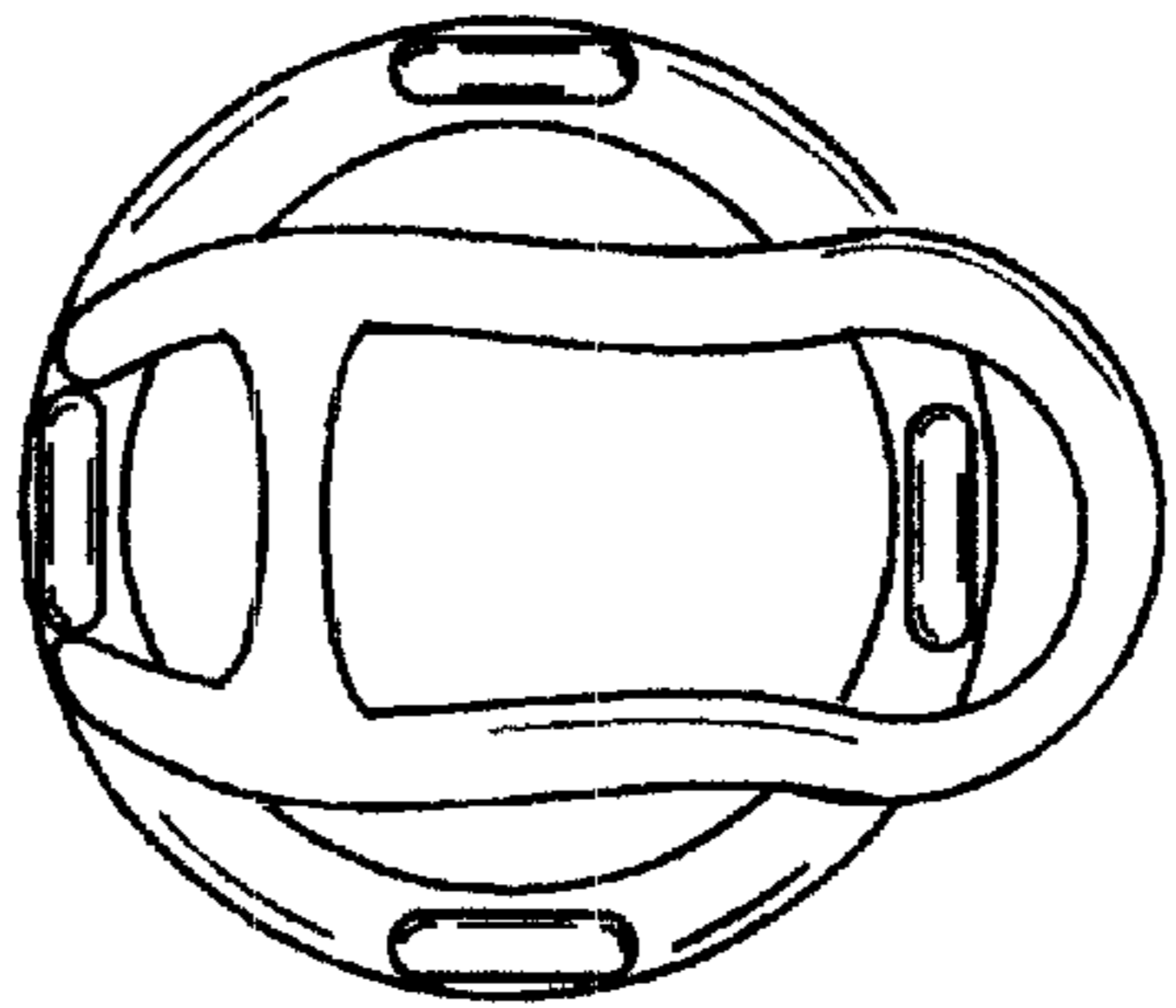
**Fig.4**



**Fig.5**



**Fig.6**



**Fig.7**

