



US00D459468S

(12) **United States Design Patent**  
**Moreno**

(10) **Patent No.:** **US D459,468 S**

(45) **Date of Patent:** **\*\* Jun. 25, 2002**

(54) **FAN BLADE CAGE**

(75) **Inventor:** **Eleobardo Moreno, St. John, IN (US)**

(73) **Assignee:** **Lakewood Engineering and Manufacturing Co., Chicago, IL (US)**

(\*\*) **Term:** **14 Years**

(21) **Appl. No.:** **29/146,595**

(22) **Filed:** **Aug. 10, 2001**

(51) **LOC (7) Cl. .... 23-04**

(52) **U.S. Cl. .... D23/412**

(58) **Field of Search .... D23/411, 412, D23/381, 382, 378; 416/246 R, 247 R; 248/676**

(56) **References Cited**

**U.S. PATENT DOCUMENTS**

D159,692 S	*	8/1950	Steinhart	.....	D23/382
D391,357 S	*	2/1998	Chi	.....	D23/382
D418,218 S	*	12/1999	Hsu	.....	D23/412

\* cited by examiner

*Primary Examiner*—Lisa Lichtenstein

(74) *Attorney, Agent, or Firm*—Wallenstein & Wagner, Ltd.

(57) **CLAIM**

The ornamental design for a fan blade cage, as shown and described.

**DESCRIPTION**

FIG. 1 is a perspective view of the fan blade cage.  
 FIG. 2 is a front view of the fan blade cage.  
 FIG. 3 is a side view of the fan blade cage, the opposite side being a mirror image of that shown.  
 FIG. 4 is a rear view of the fan blade cage.  
 FIG. 5 is a side view of the fan blade cage.  
 FIG. 6 is atop plan view of the fan blade cage.  
 FIG. 7 is a bottom view of the fan blade cage.  
 FIG. 8 is a cross-section view of the fan blade cage.  
 FIG. 9 is a perspective view of an alternative embodiment of the fan blade cage; and,  
 FIG. 10 is a cross-section view of the alternative embodiment of the fan blade cage shown in FIG. 9.  
 The broken line showing of environmental structure in FIGS. 1–10 is for illustrative purposes only and forms no part of the claimed design.

**1 Claim, 5 Drawing Sheets**

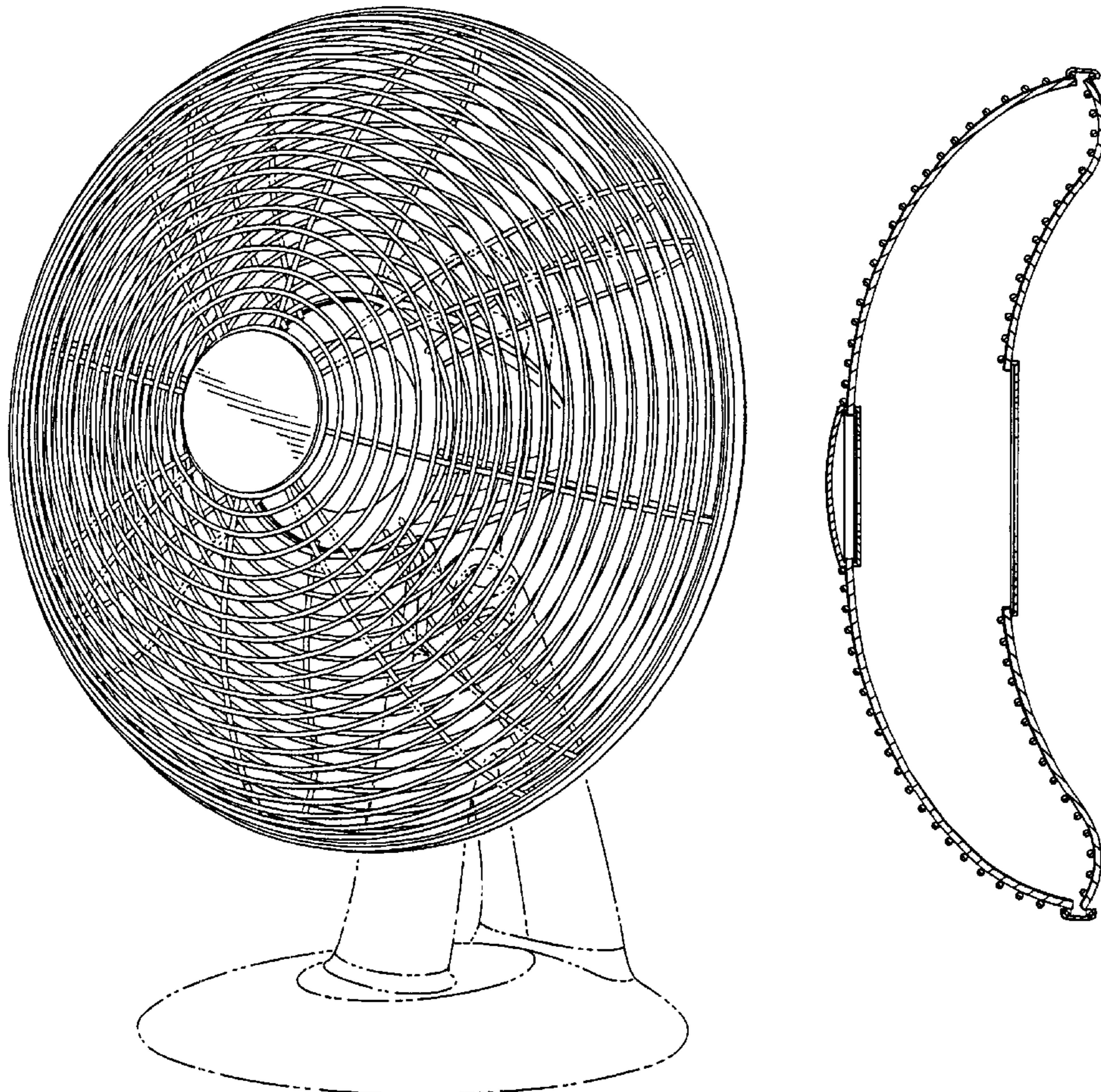


FIG. 1

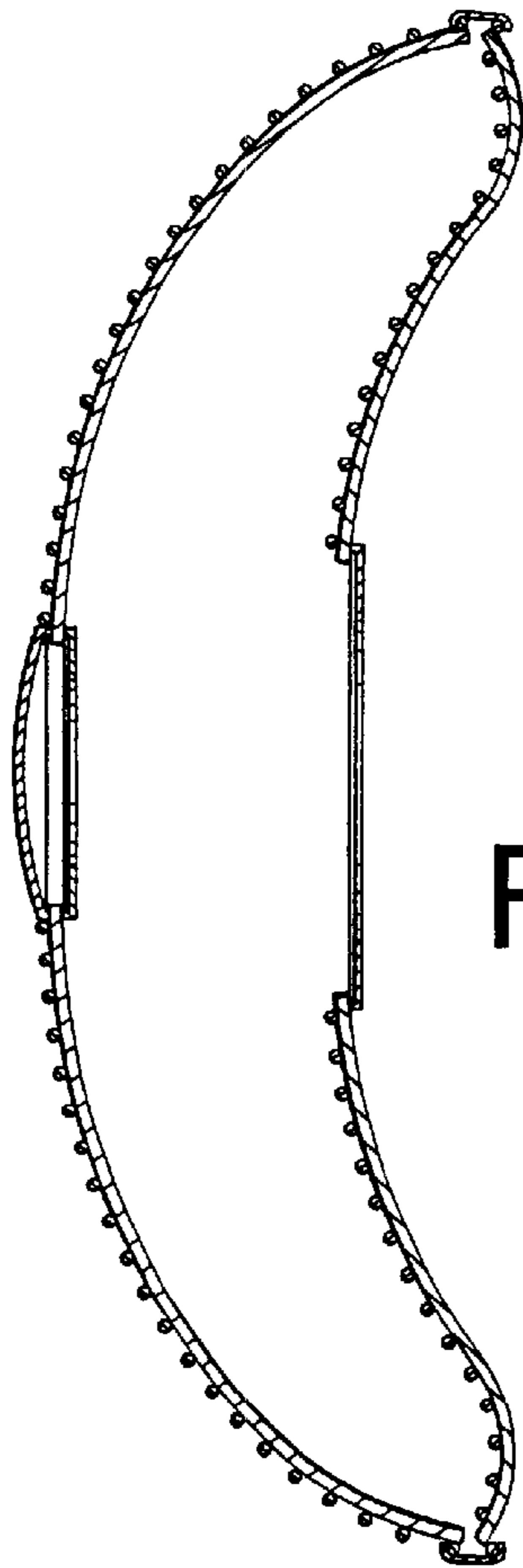
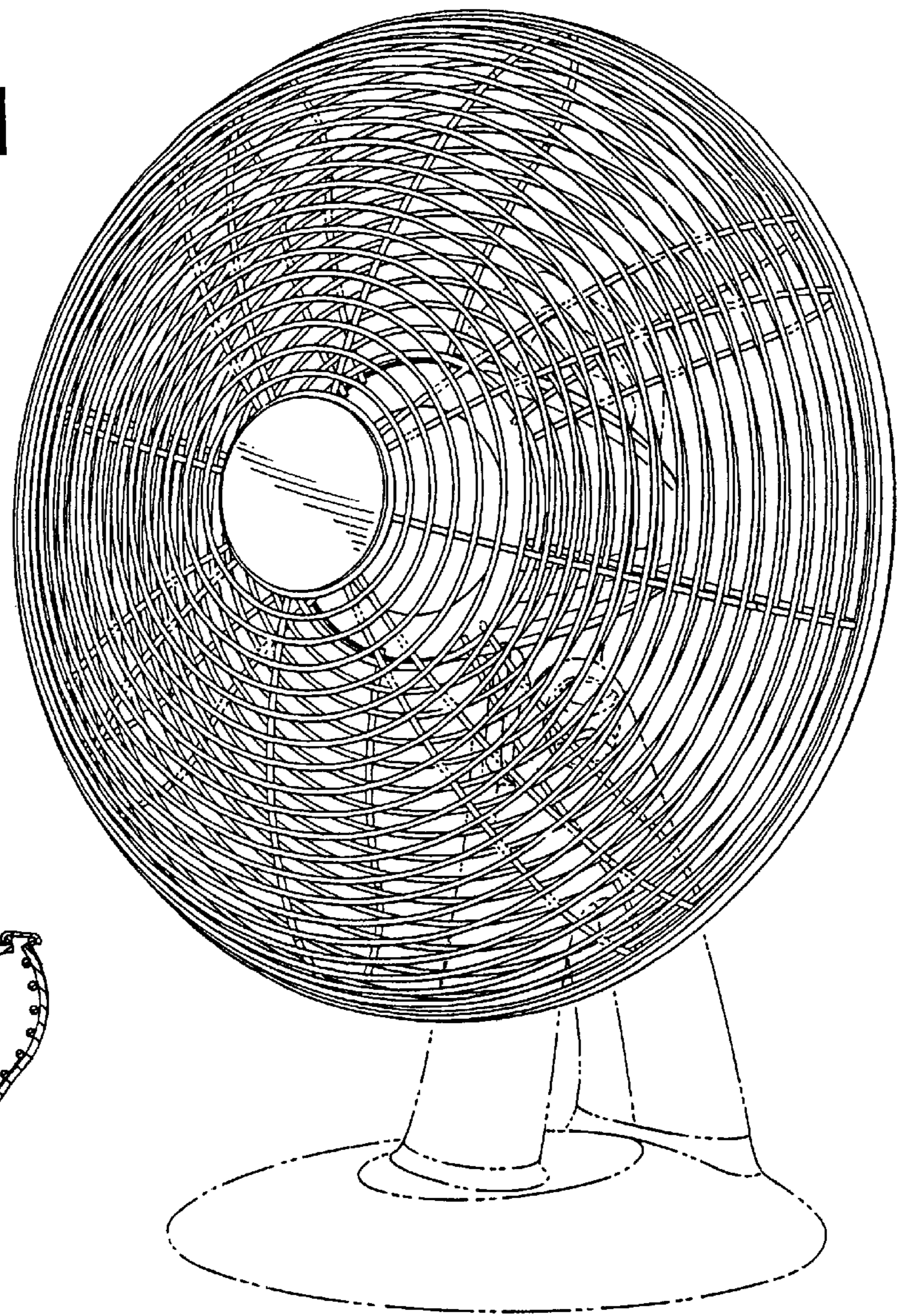


FIG. 8

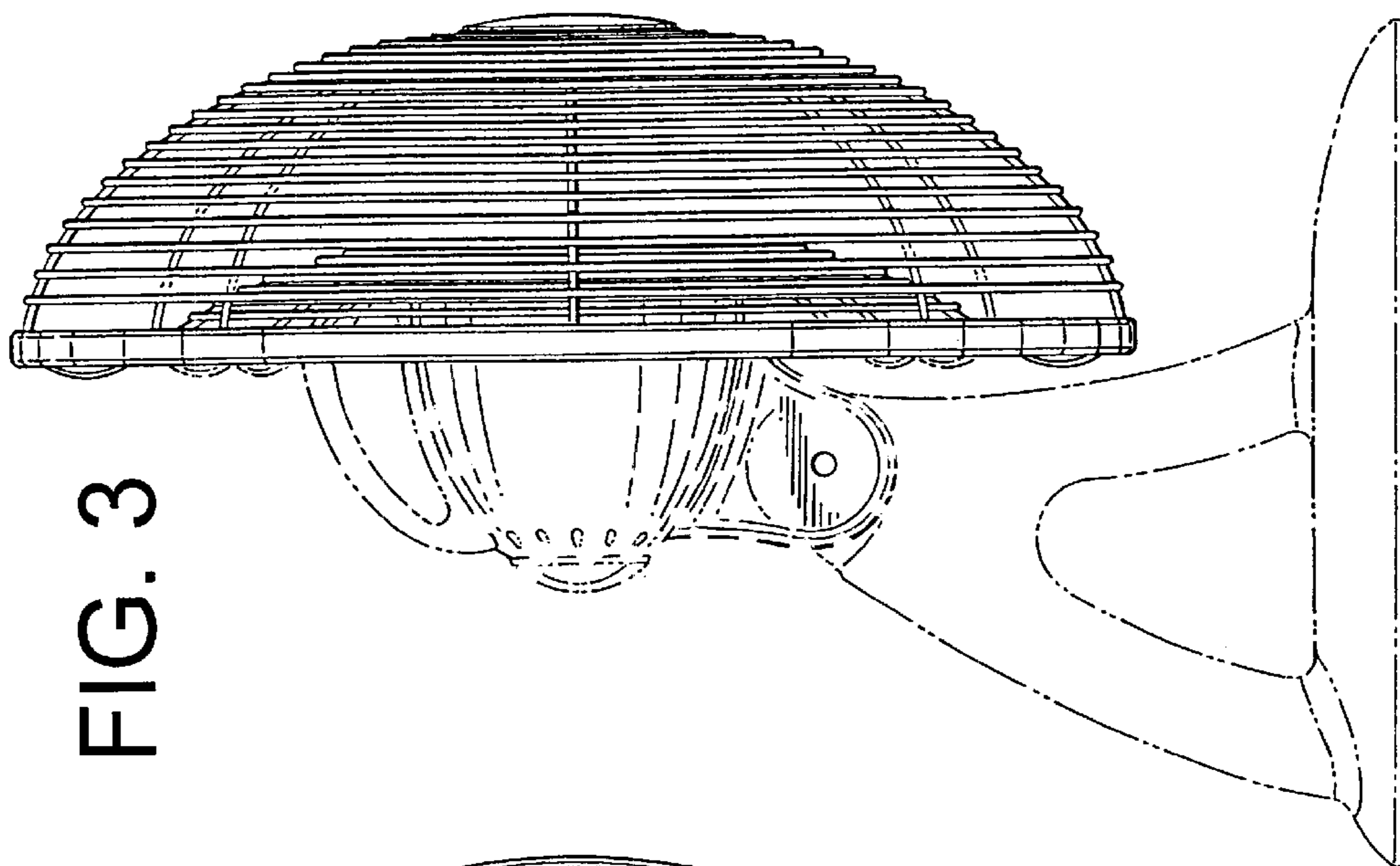


FIG. 3

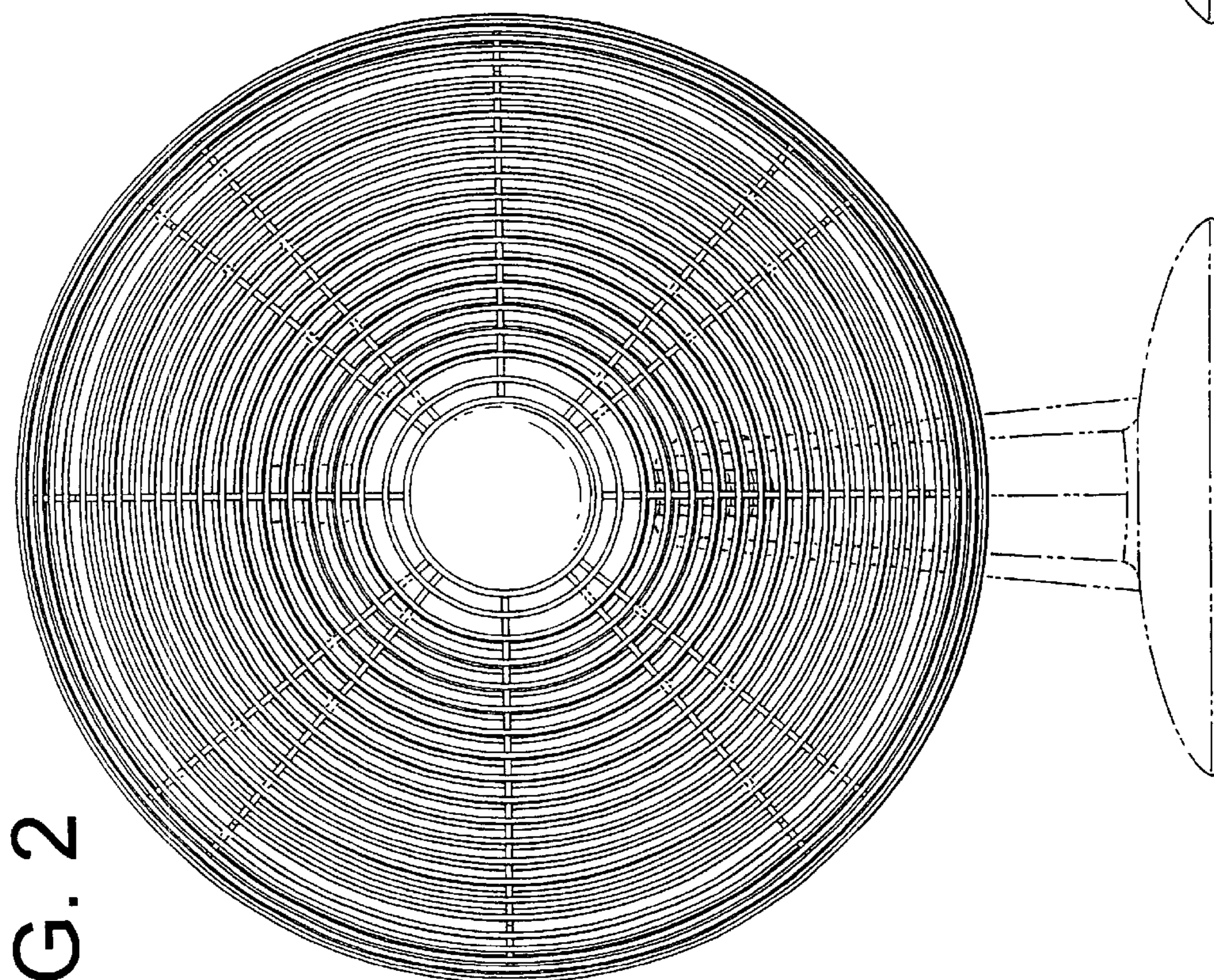


FIG. 2

FIG. 5

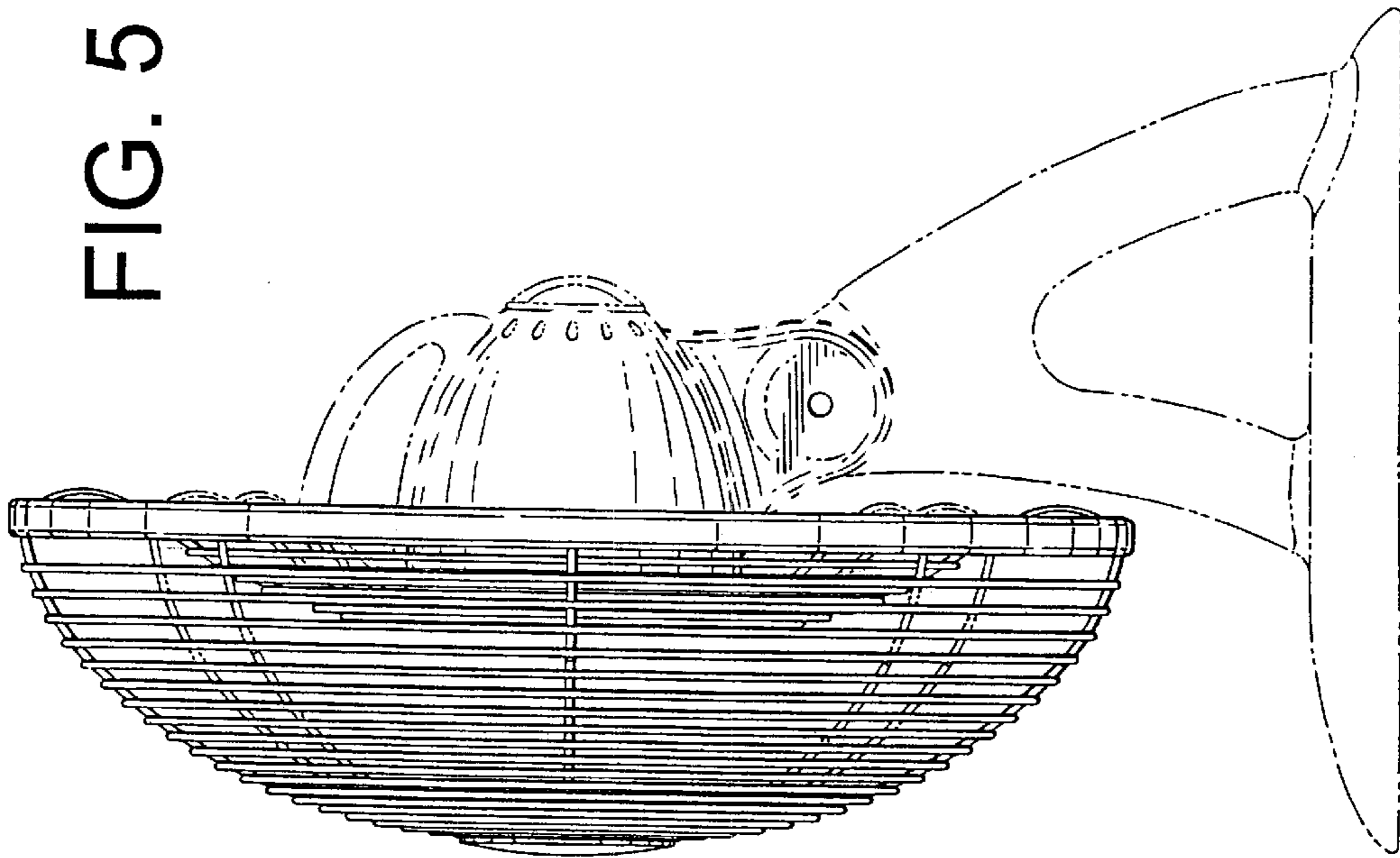


FIG. 4

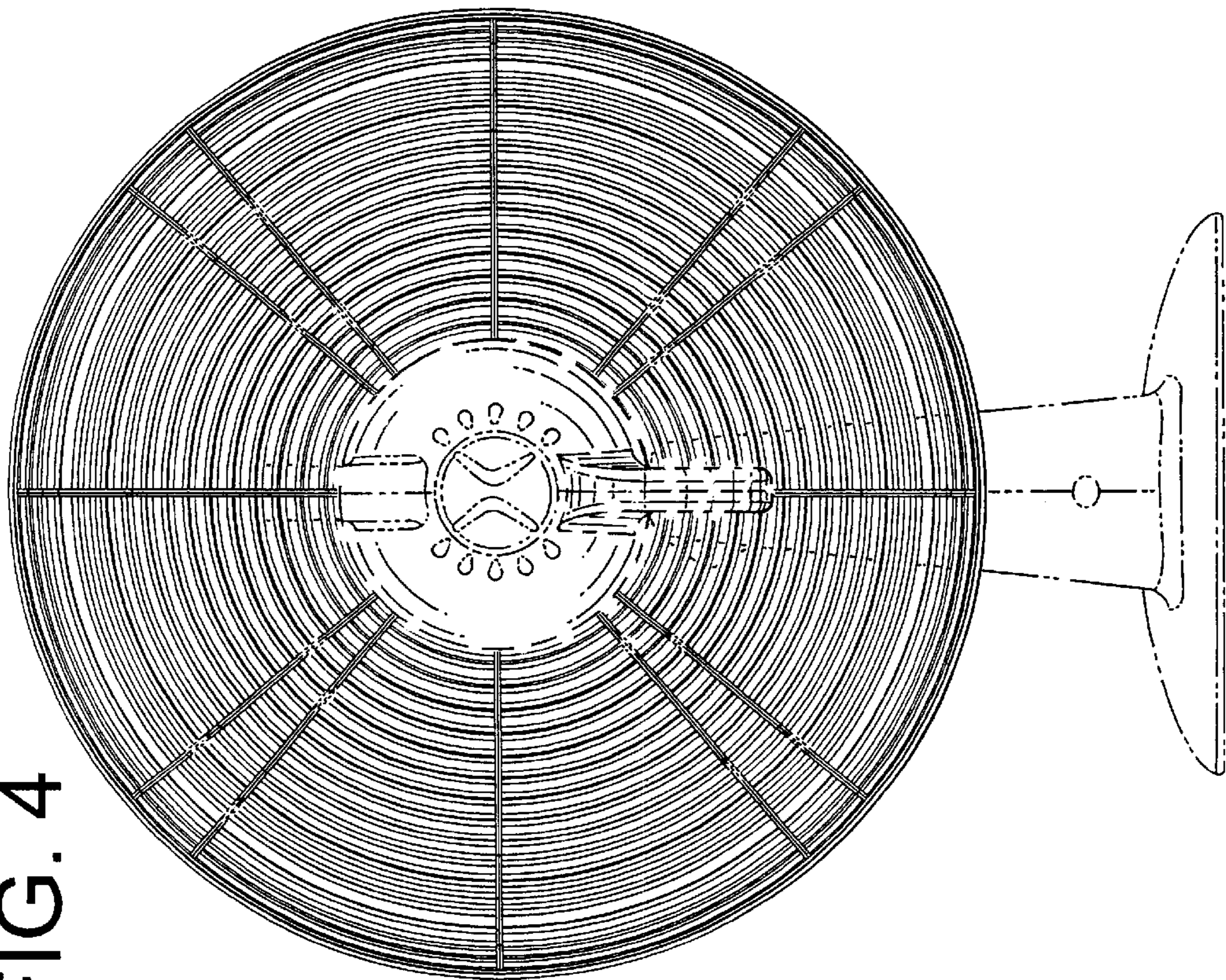


FIG. 6

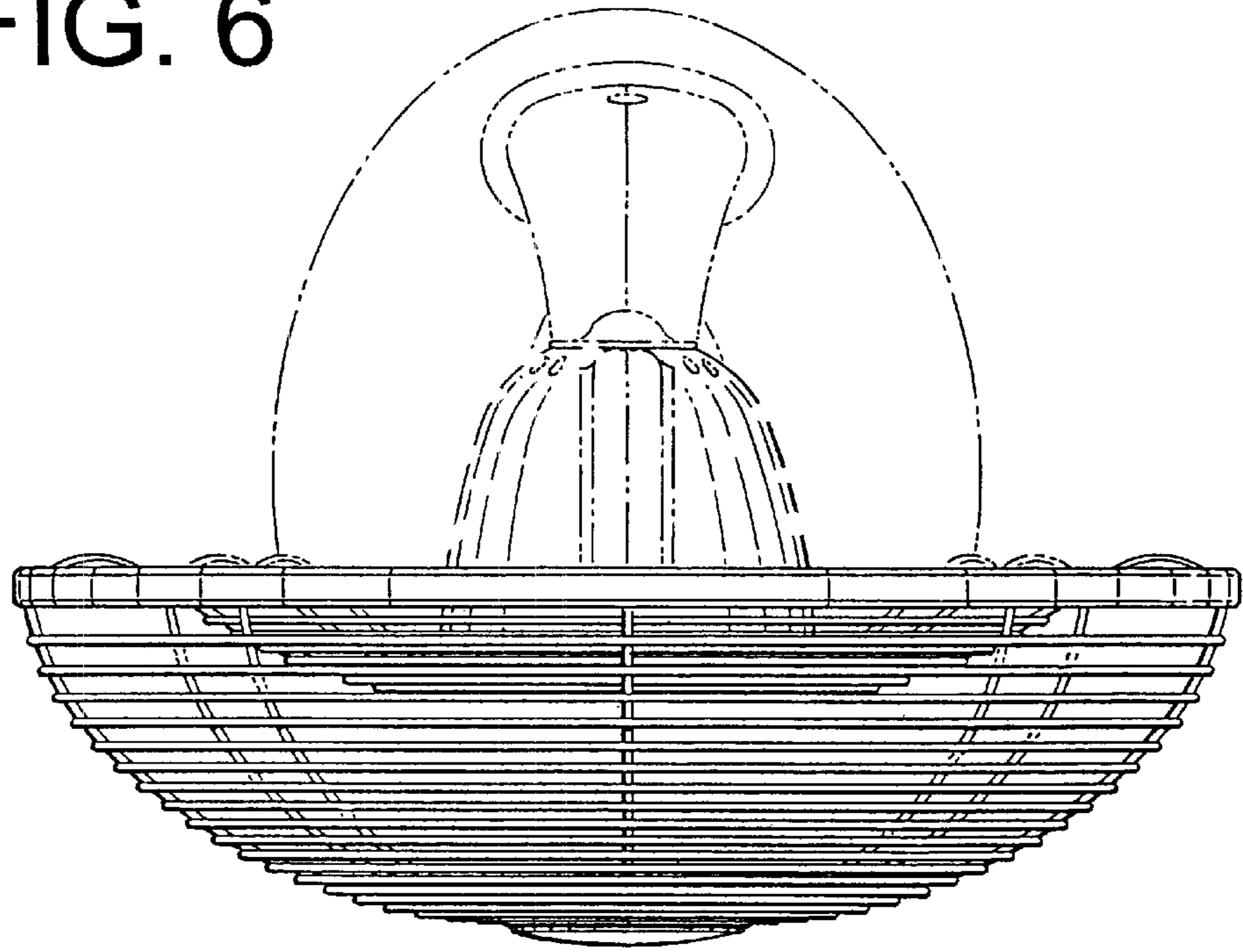


FIG. 7

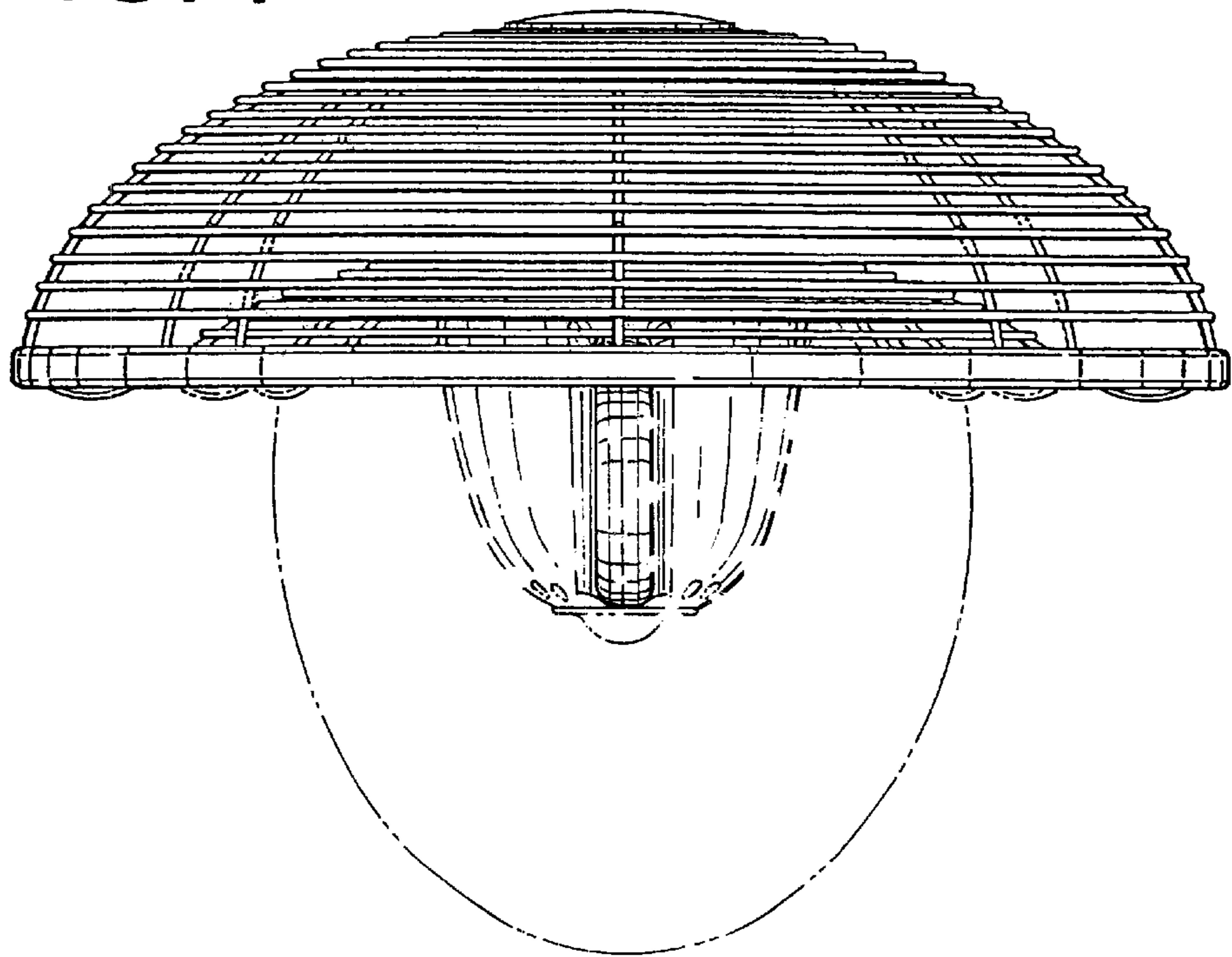


FIG. 9

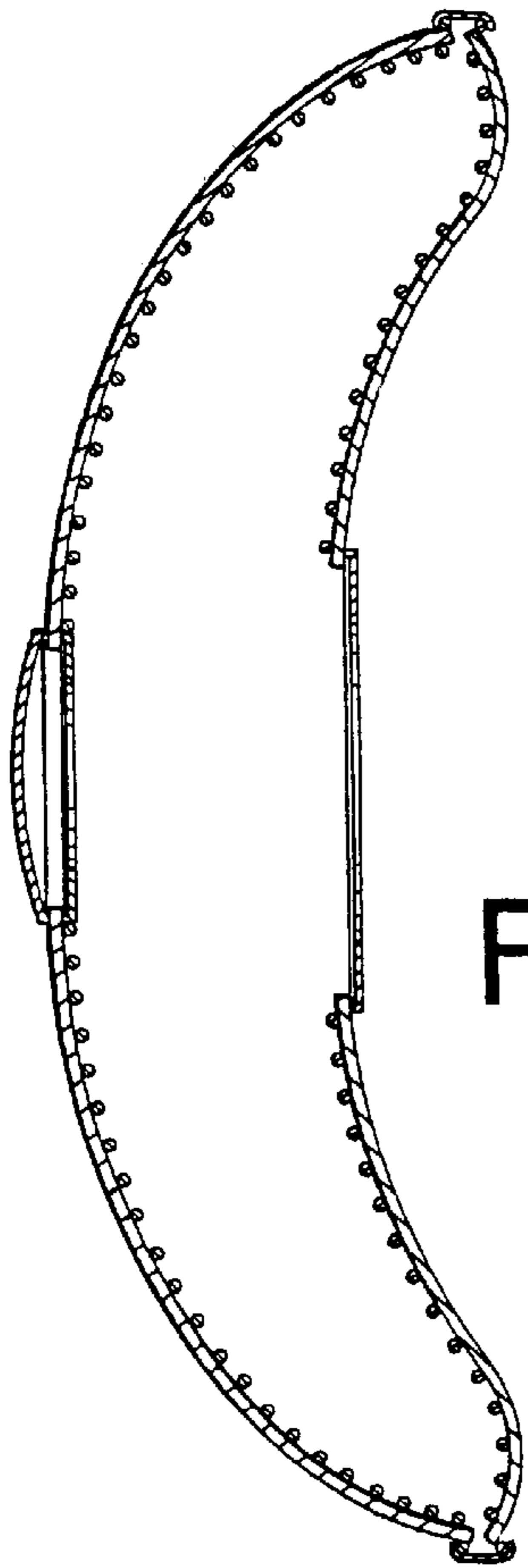
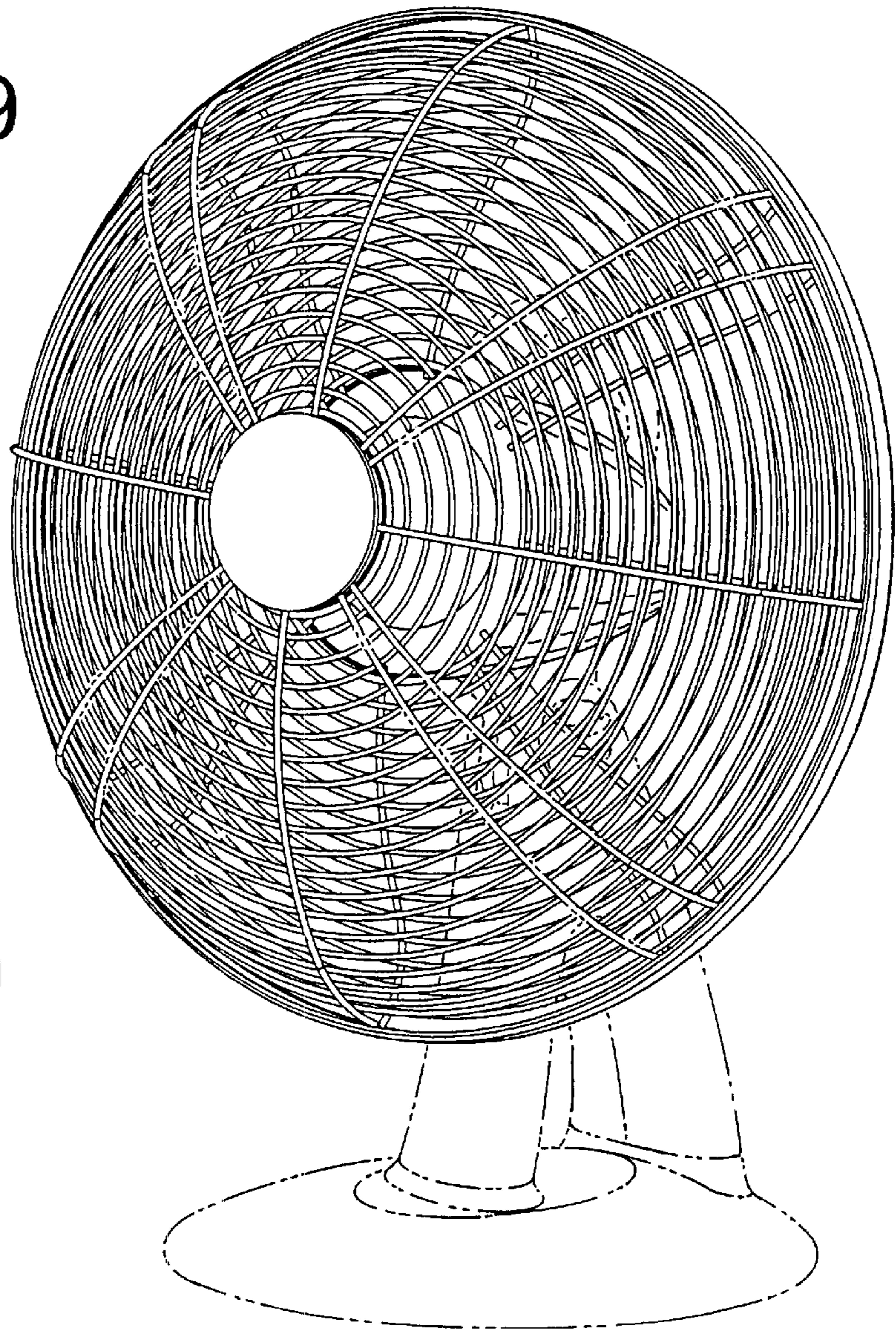


FIG. 10