



US00D459467S

(12) **United States Design Patent**  
**Wilson, Jr.**

(10) **Patent No.:** **US D459,467 S**

(45) **Date of Patent:** **\*\* Jun. 25, 2002**

(54) **FRONT GRILL FOR A PEDESTAL FAN**

D429,328 S \* 8/2000 Hotaling et al. .... D23/412  
D424,681 S \* 9/2000 Lozzio et al. .... D23/378

(75) Inventor: **Rodney Wilson, Jr.**, Boothwyn, PA  
(US)

\* cited by examiner

(73) Assignee: **Lasko Holdings, INC**, West Chester,  
PA (US)

*Primary Examiner*—Lisa Lichtenstein

(74) *Attorney, Agent, or Firm*—Zachary T. Wobensmith, III

(\*\*) Term: **14 Years**

(57) **CLAIM**

The ornamental design for a front grill for a pedestal fan, as shown.

(21) Appl. No.: **29/145,155**

(22) Filed: **Jul. 18, 2001**

**DESCRIPTION**

(51) **LOC (7) Cl.** ..... **23-04**

(52) **U.S. Cl.** ..... **D23/412; D23/378**

(58) **Field of Search** ..... D23/378, 382,  
D23/411, 412; 416/247 R, 246; D25/53

FIG. 1 is a front elevational view of a front grill for a pedestal fan showing my new design; FIG. 2 is a left side elevational view thereof, the opposite side being a mirror image of that shown; and, FIG. 3 is a top plan view thereof.

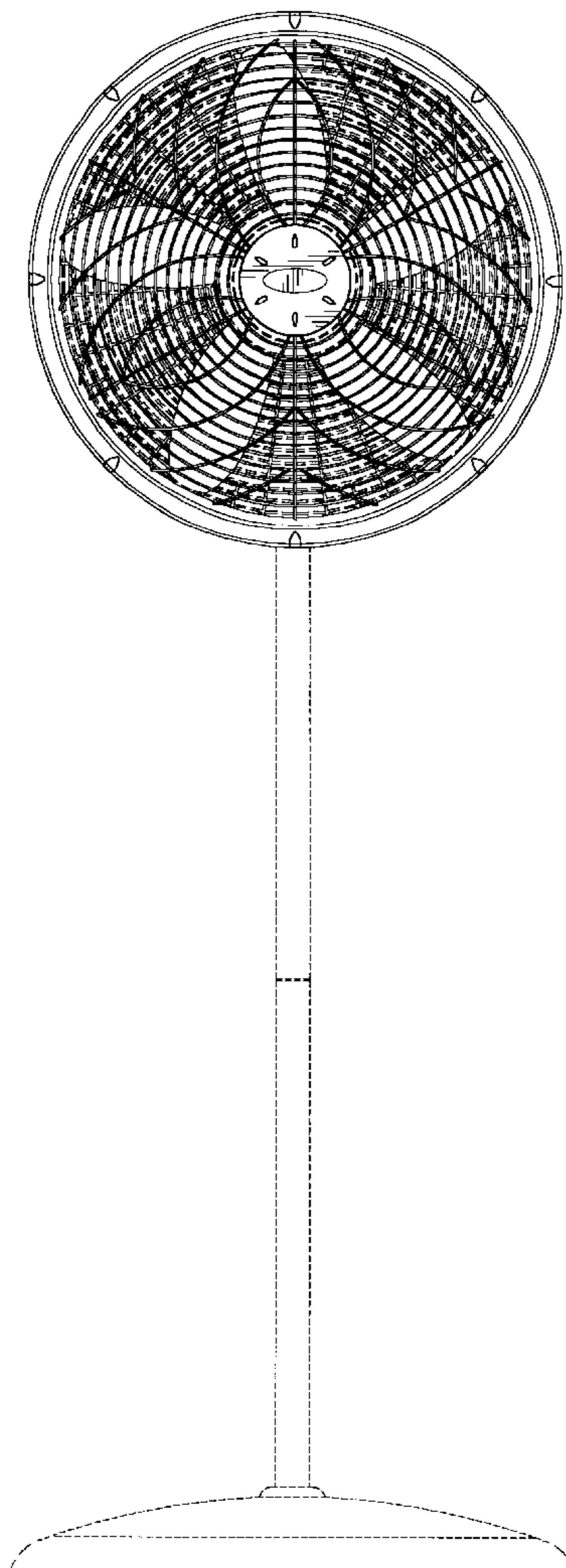
The broken line showing of environmental structure in FIGS. 1-3 is for illustrative purposes only and forms no part of the claimed design.

(56) **References Cited**

**U.S. PATENT DOCUMENTS**

D400,242 S \* 10/1998 Litvin ..... D23/381  
D427,674 S \* 7/2000 Moreno ..... D23/412

**1 Claim, 3 Drawing Sheets**



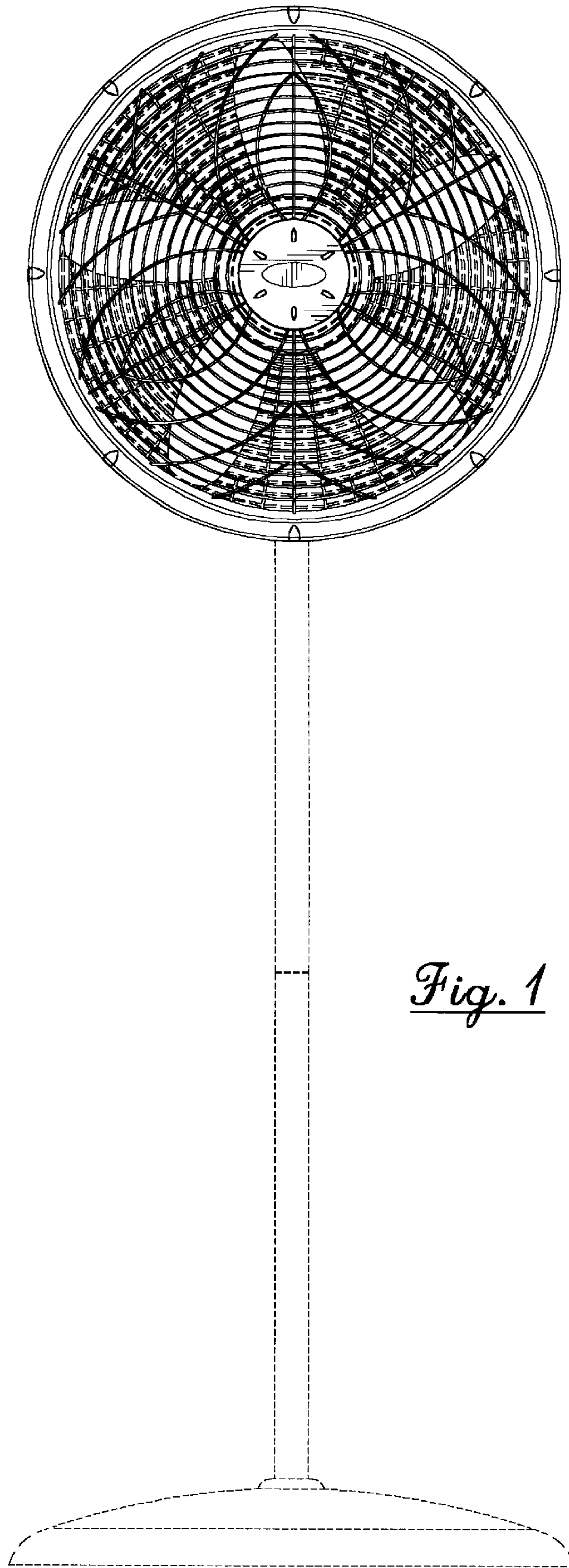
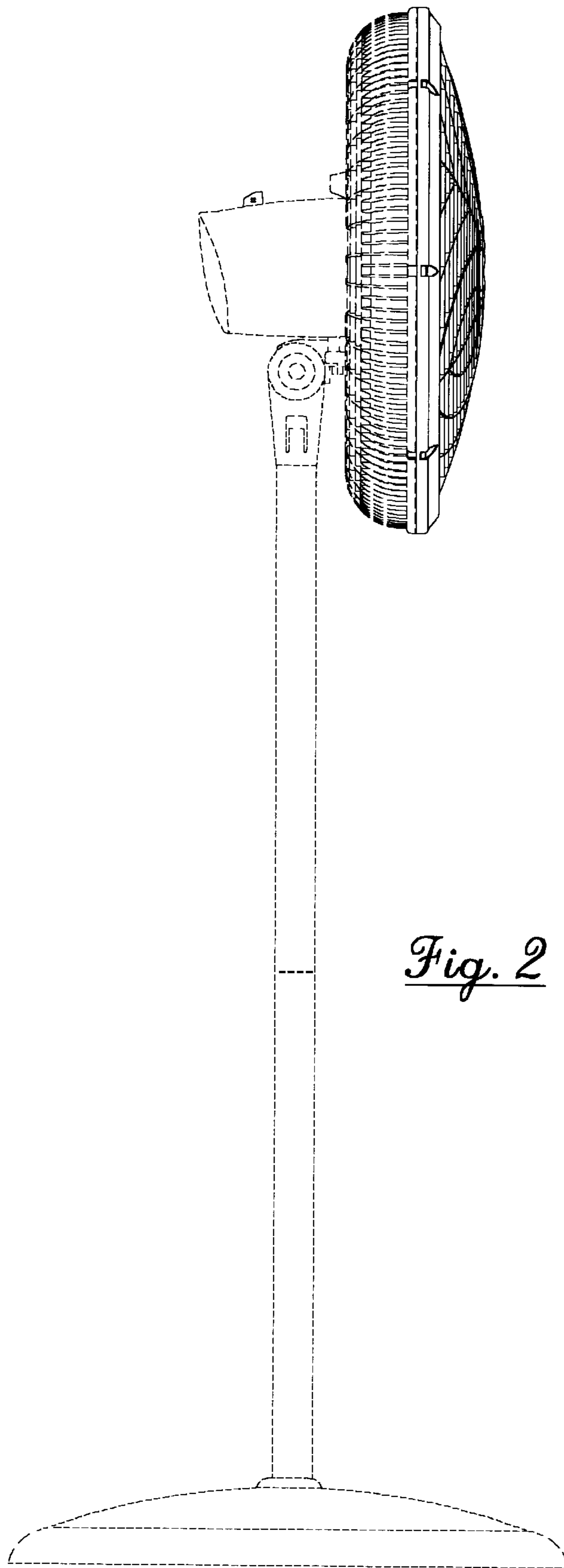


Fig. 1



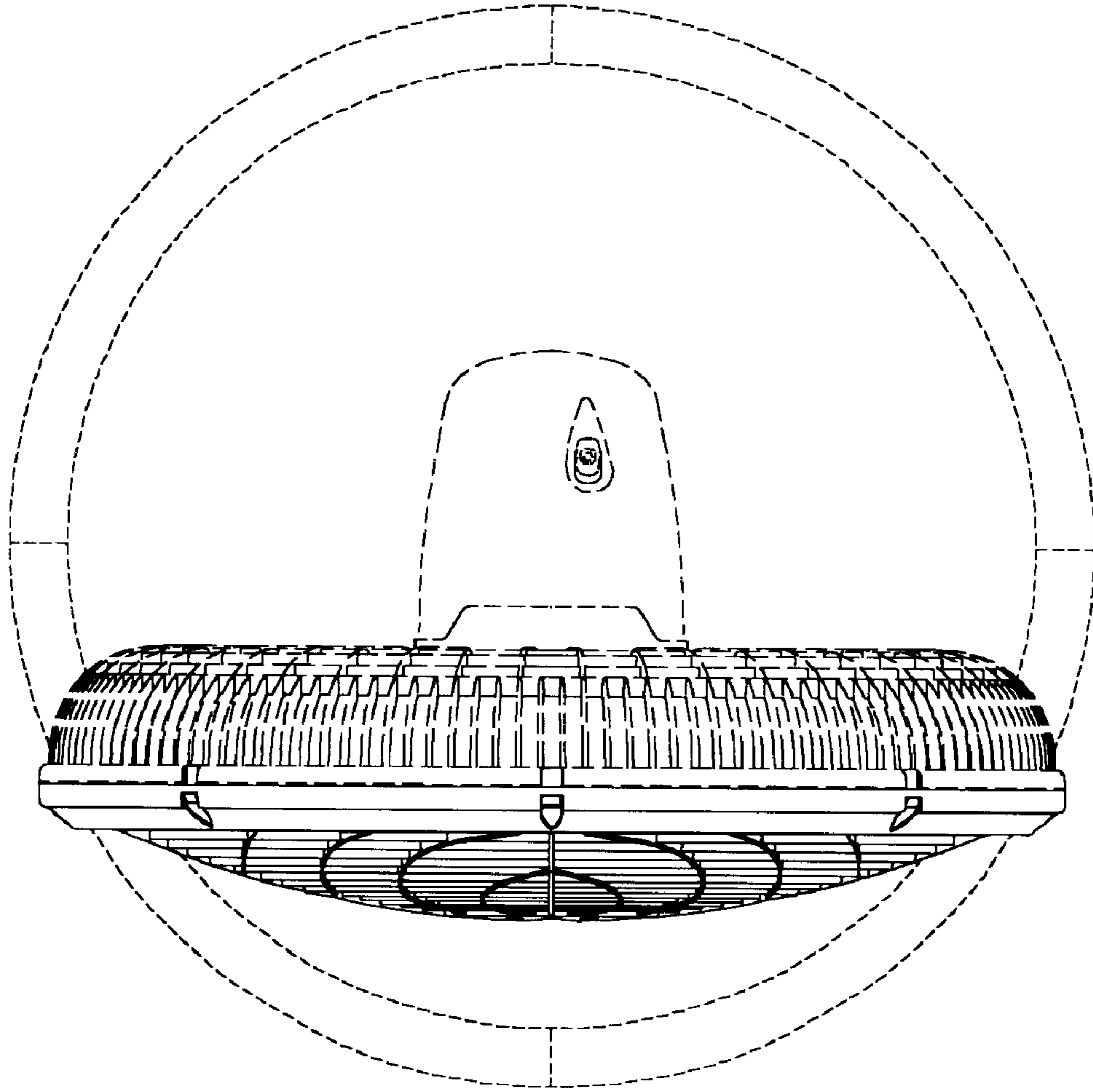


Fig. 3