



US00D459464S

(12) **United States Design Patent**
Chura et al.

(10) **Patent No.:** **US D459,464 S**
(45) **Date of Patent:** **** Jun. 25, 2002**

(54) **FAN STAND AND MOTOR**

(75) Inventors: **William D. Chura**, Medford; **Bryan Hotaling**, Arlington; **James Varney**, Medford, all of MA (US)

(73) Assignee: **The Holmes Group, Inc.**, Milford, MA (US)

(**) Term: **14 Years**

(21) Appl. No.: **29/145,976**

(22) Filed: **Aug. 1, 2001**

(51) **LOC (7) Cl.** **23-04**

(52) **U.S. Cl.** **D23/411**

(58) **Field of Search** D23/378, 381,
D23/382, 411, 412; 416/244 R, 247 R;
248/127, 676

(56) **References Cited**

U.S. PATENT DOCUMENTS

- D414,858 S * 10/1999 Litvin et al. D23/378
- D416,617 S * 11/1999 Jane et al. D23/378
- D429,809 S * 8/2000 Wolfe D23/411

OTHER PUBLICATIONS

Lasko Oscillating Pedestal Fan Model No. 2116; On Sale in 2000.

* cited by examiner

Primary Examiner—Lisa Lichtenstein
(74) *Attorney, Agent, or Firm*—Hoffmann & Baron, LLP; Francis E. Marino

(57) **CLAIM**

The ornamental design for a fan stand and motor, as shown and described.

DESCRIPTION

FIG. 1 is a top perspective view of a fan stand and motor showing our new design;

FIG. 2 is a front elevation view thereof;

FIG. 3 is a top plan view thereof;

FIG. 4 is a side elevation view thereof, the opposite side being a mirror image of that shown, and;

FIG. 5 is a side elevation view thereof; showing the side opposite from that shown in FIG. 4; and,

FIG. 6 is a rear elevation view thereof.

The subject matter shown in broken lines is for environmental purposes only and forms no part of the claimed design. The bottom view (not shown) forms no part of the claimed design.

1 Claim, 6 Drawing Sheets

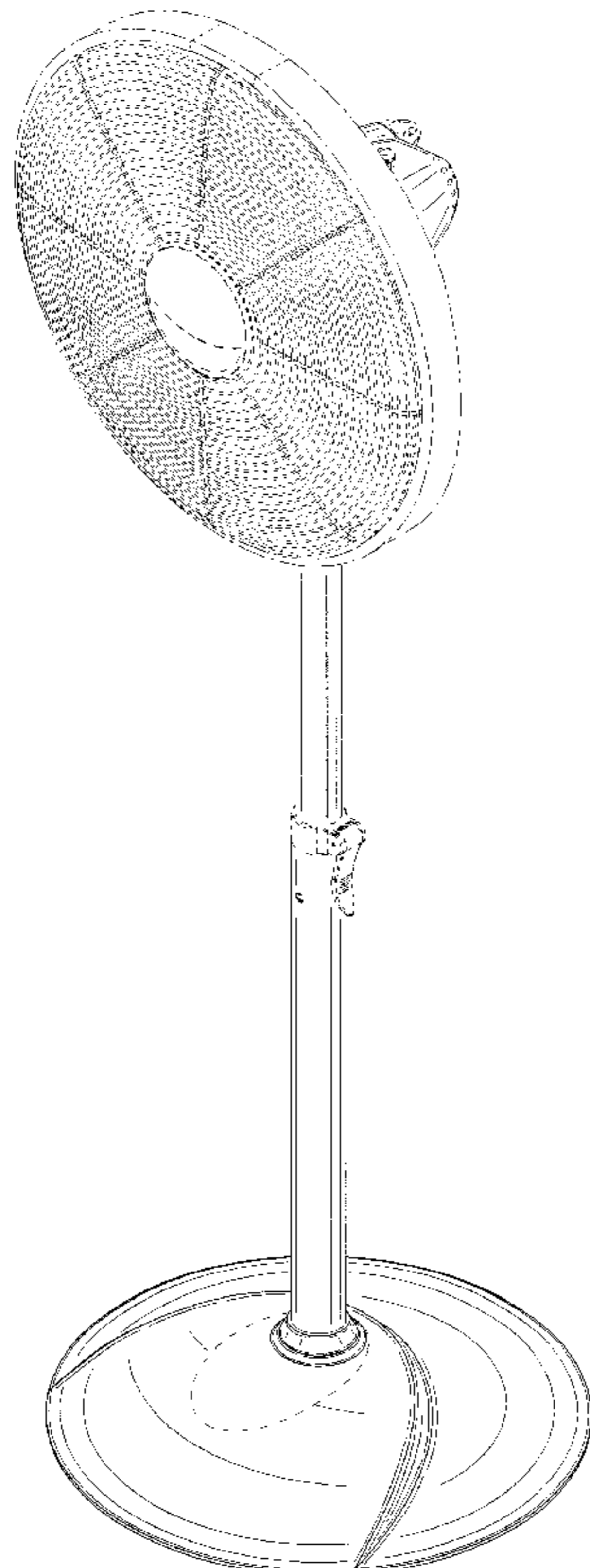


FIG. 1

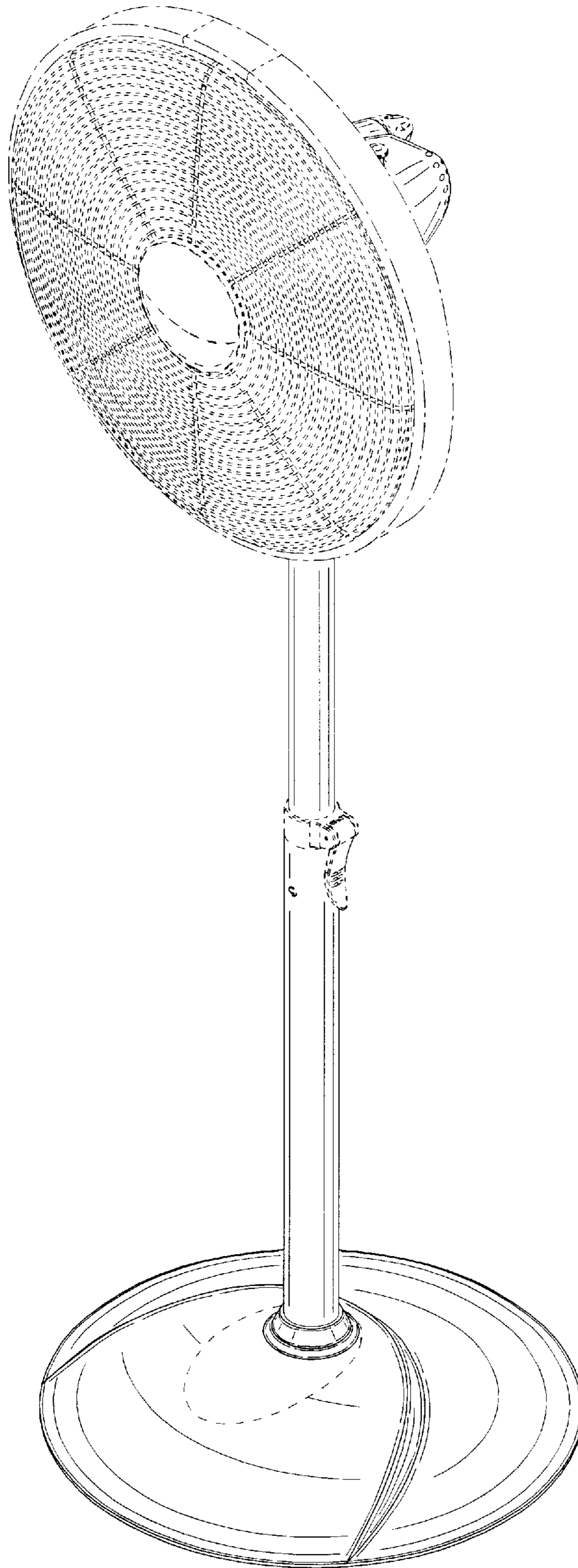


FIG. 2

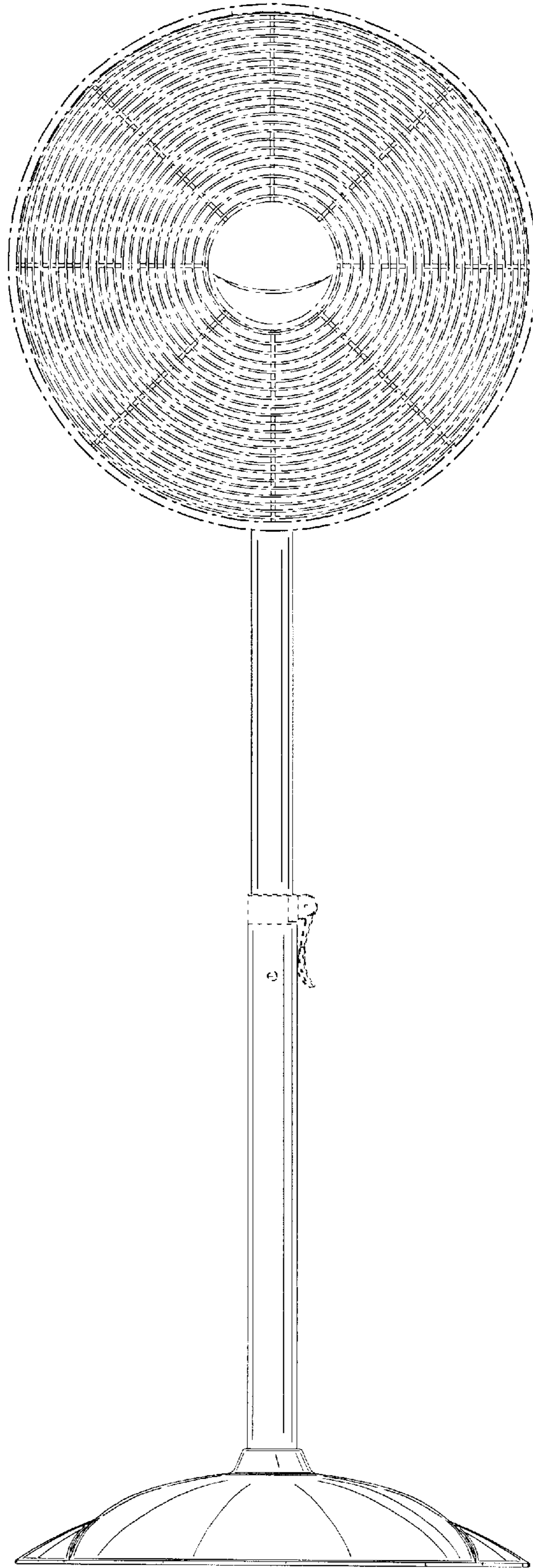


FIG. 3

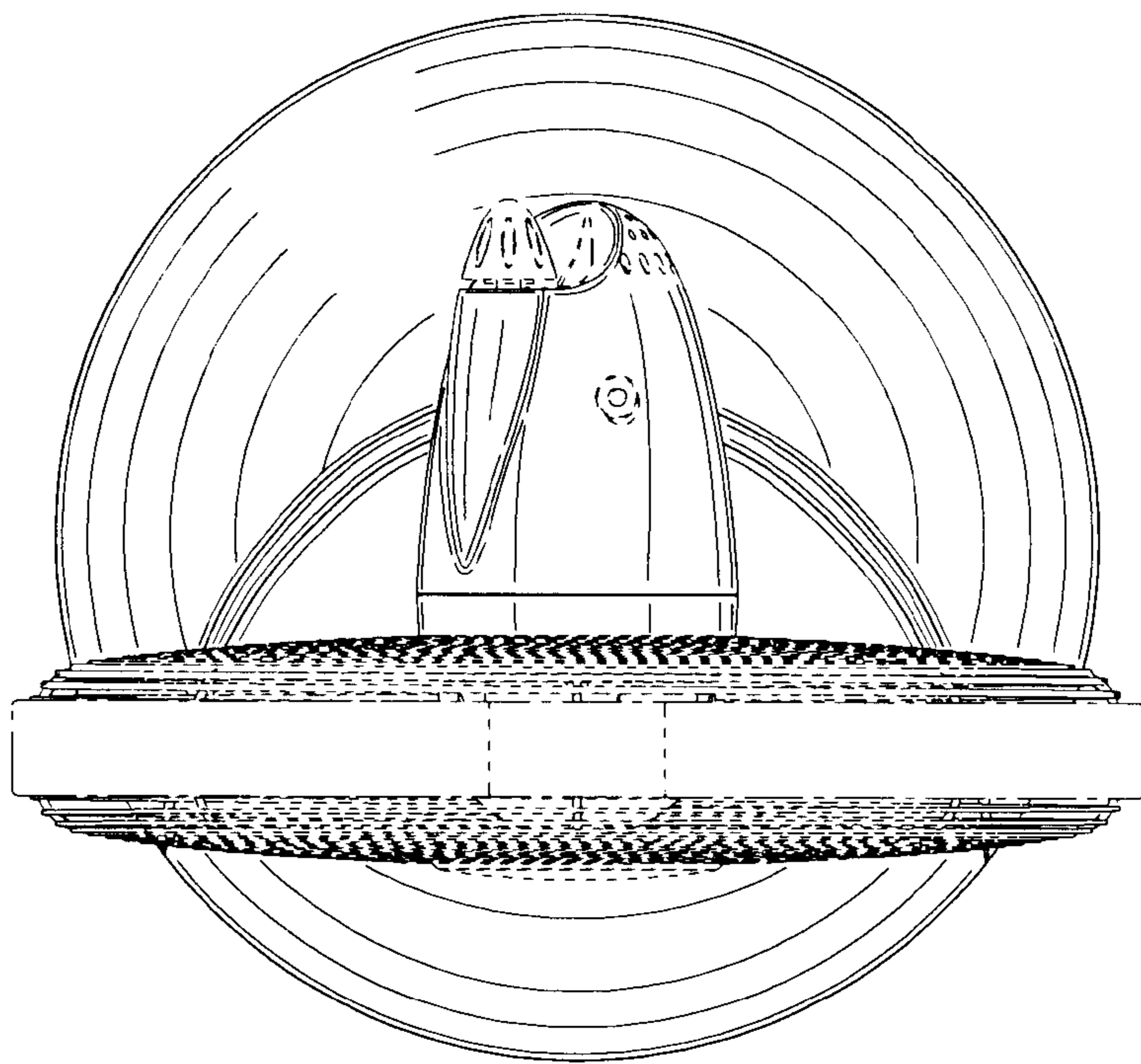


FIG. 4

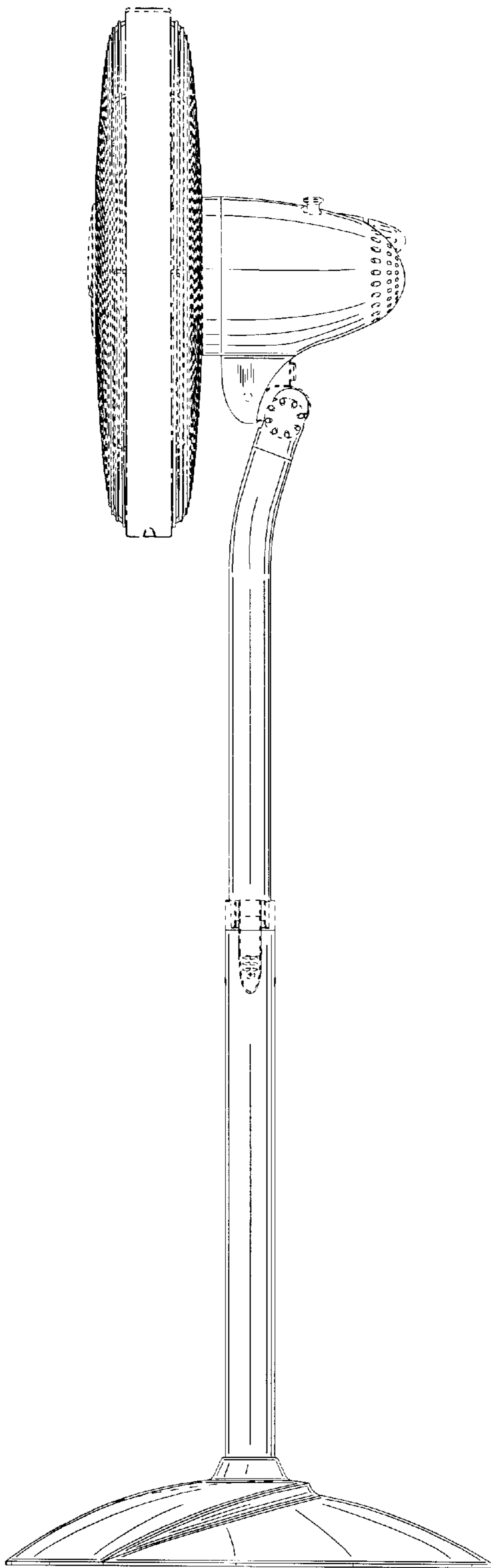


FIG. 5

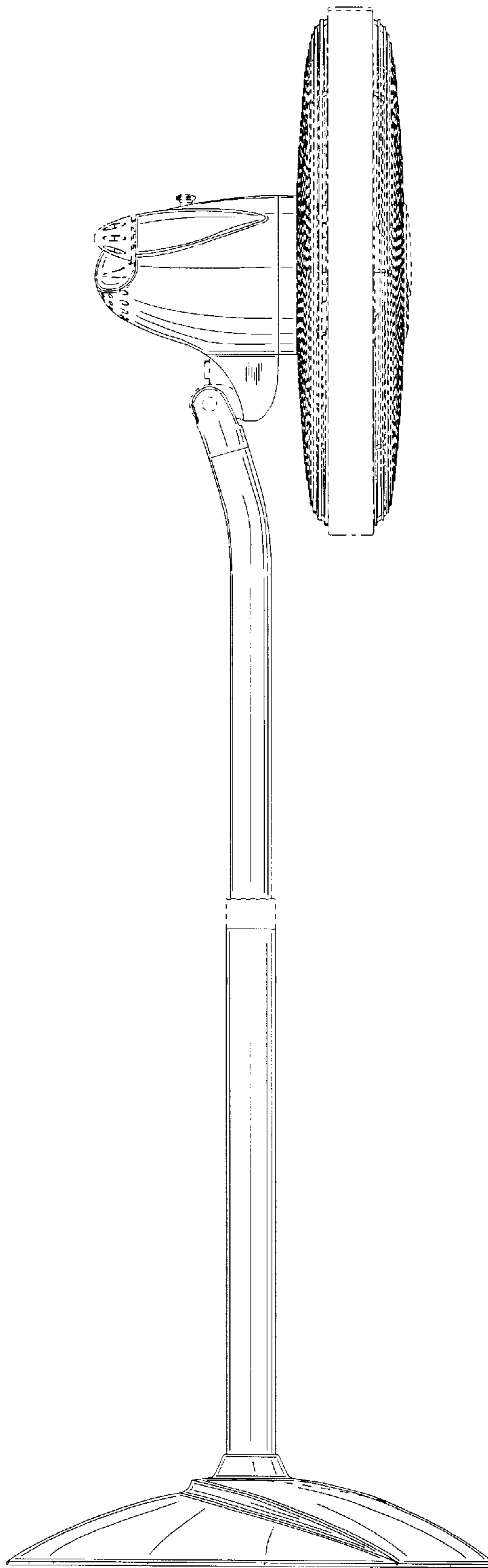


FIG. 6

