



US00D459460S

(12) **United States Design Patent**
Melwani

(10) **Patent No.:** **US D459,460 S**

(45) **Date of Patent:** **** Jun. 25, 2002**

(54) **ELECTRIC FAN**

D387,153 S * 12/1997 Fok D23/382
D429,326 S * 8/2000 Fok D23/381

(75) Inventor: **Ravin G Melwani**, Hong Kong (HK)

* cited by examiner

(73) Assignee: **B.K. Rekhatek (H.K.) Ltd.**, Kowloon (HK)

Primary Examiner—Lisa Lichtenstein

(**) Term: **14 Years**

(74) *Attorney, Agent, or Firm*—Leydig, Voit & Mayer, Ltd.

(21) Appl. No.: **29/152,507**

(57) **CLAIM**

(22) Filed: **Dec. 26, 2001**

The ornamental design for an electric fan, as shown and described.

(30) **Foreign Application Priority Data**

DESCRIPTION

Aug. 14, 2001 (HK) 0111218

FIG. 1 is a front elevational view of an electric fan showing my new design;

(51) **LOC (7) Cl.** **23-04**

FIG. 2 is a rear elevational view thereof;

(52) **U.S. Cl.** **D23/370; D23/379**

FIG. 3 is a left side elevational view thereof;

(58) **Field of Search** D23/370, 379, D23/381, 382; 416/246, 247 R

FIG. 4 is a right side elevational view thereof;

FIG. 5 is a top plan view thereof; and,

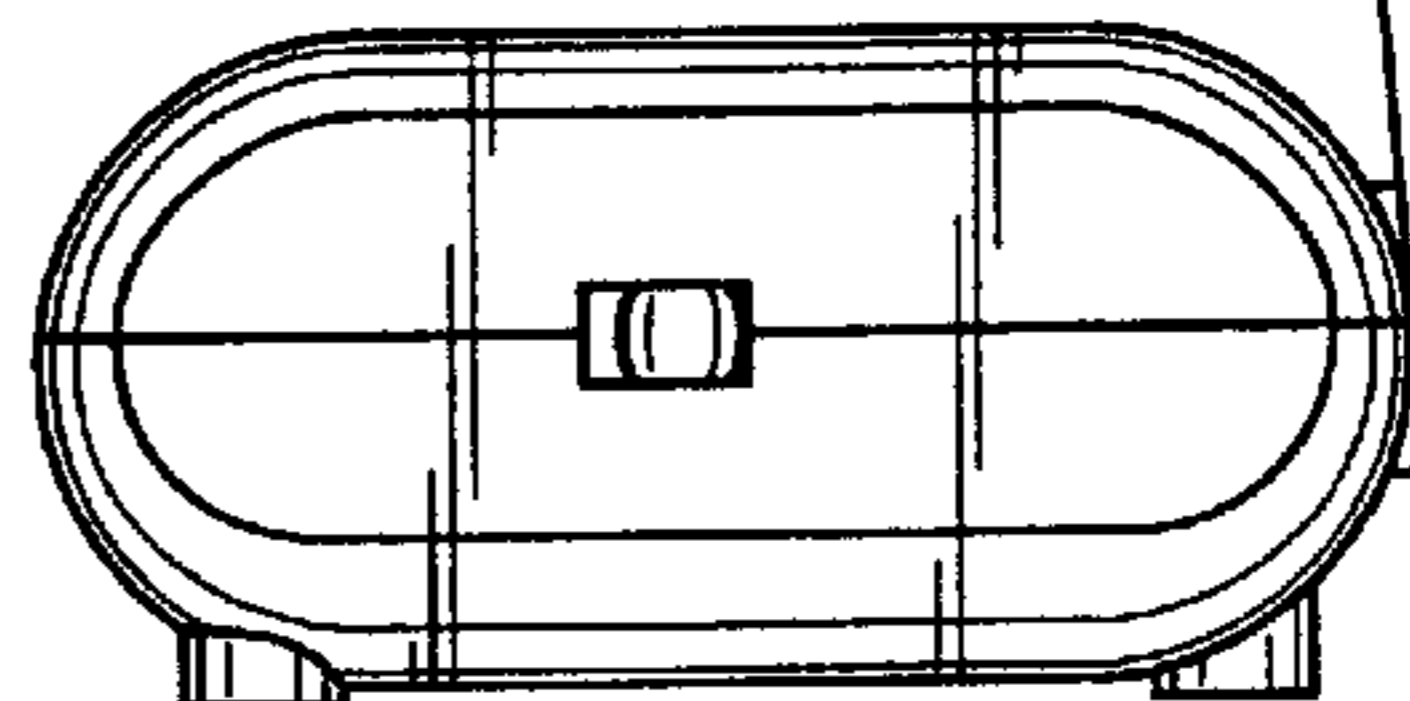
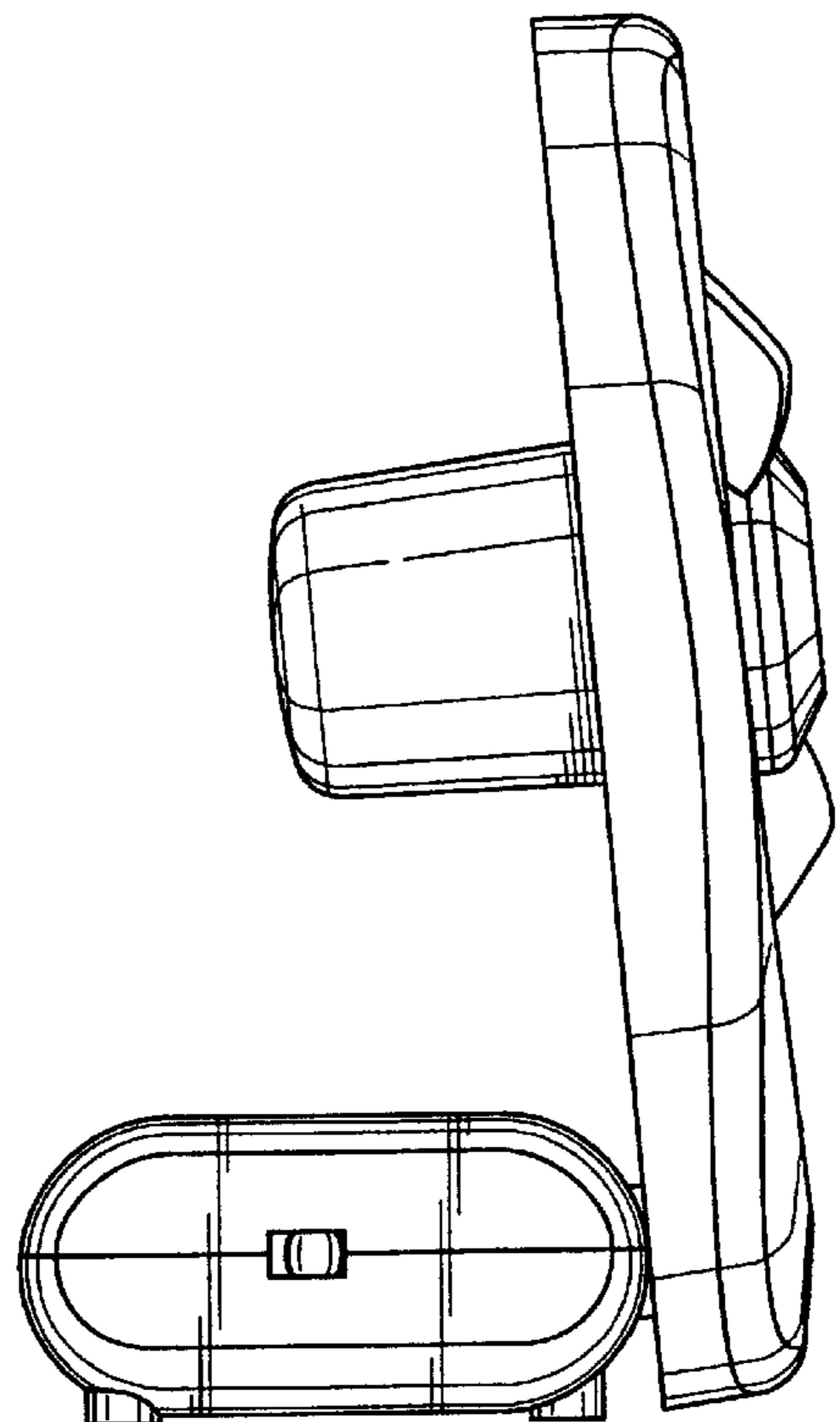
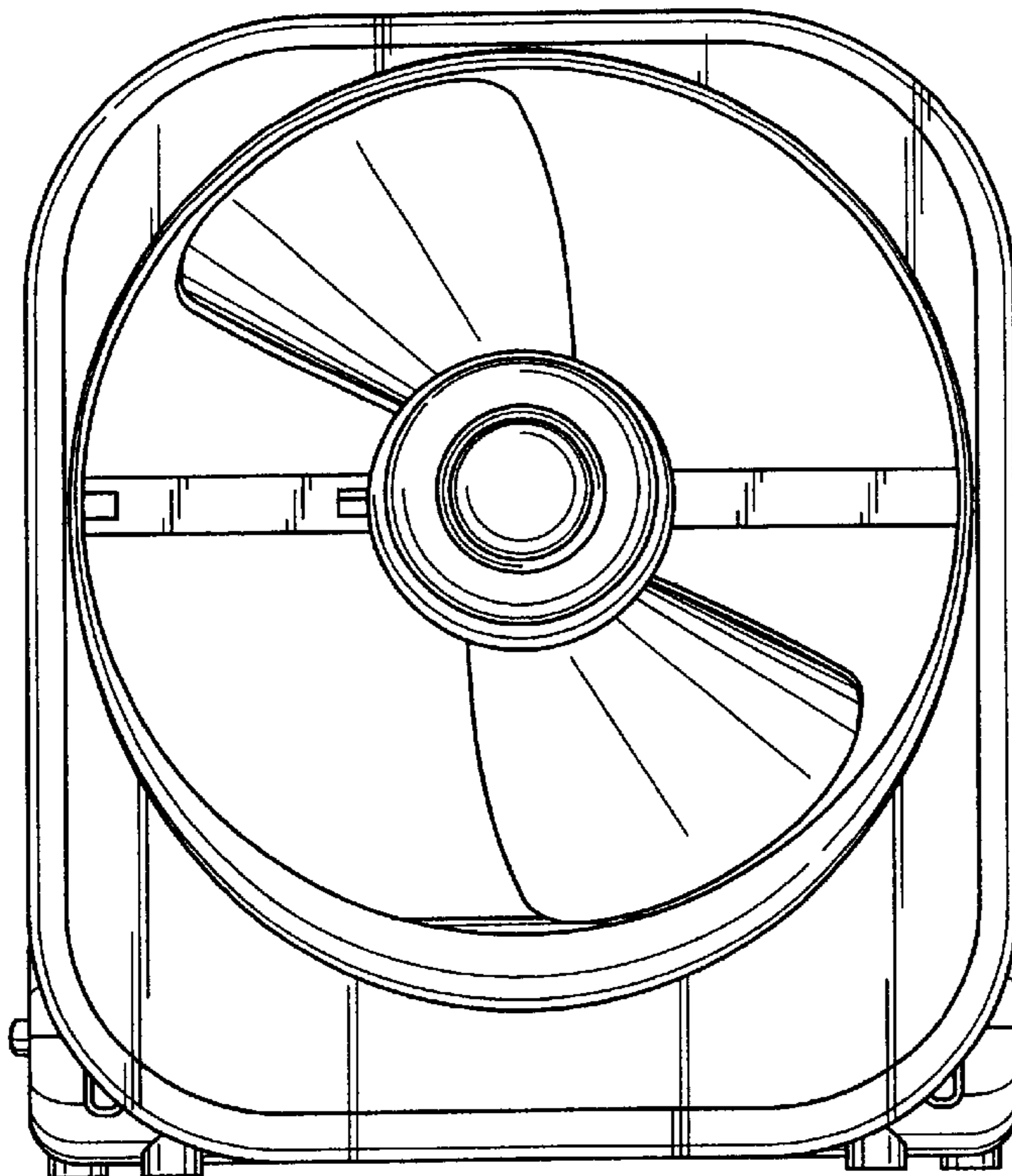
FIG. 6 is a bottom plan view thereof.

(56) **References Cited**

U.S. PATENT DOCUMENTS

D387,151 S * 12/1997 Fok D23/381

1 Claim, 3 Drawing Sheets



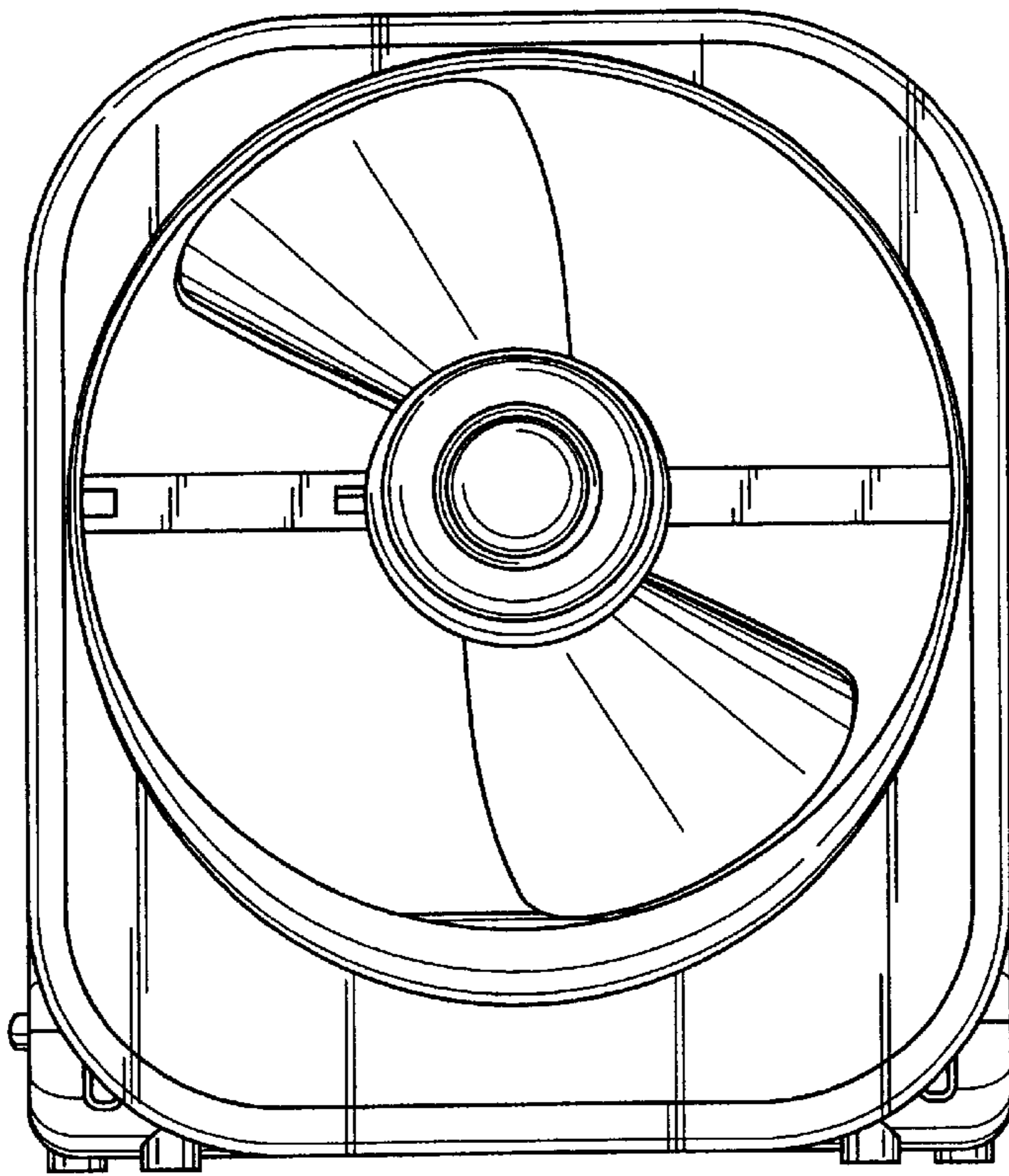
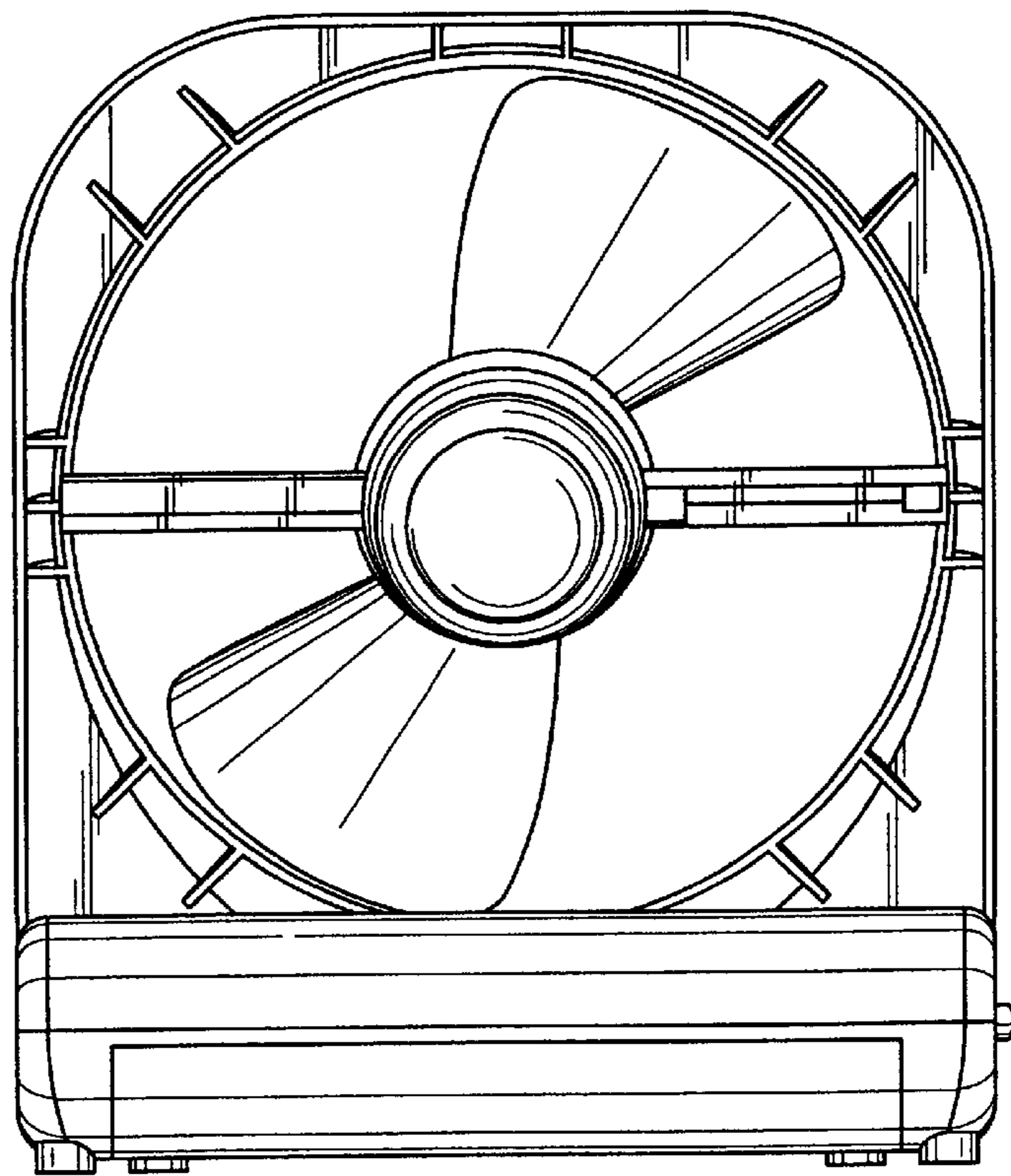


FIG. 1

FIG. 2



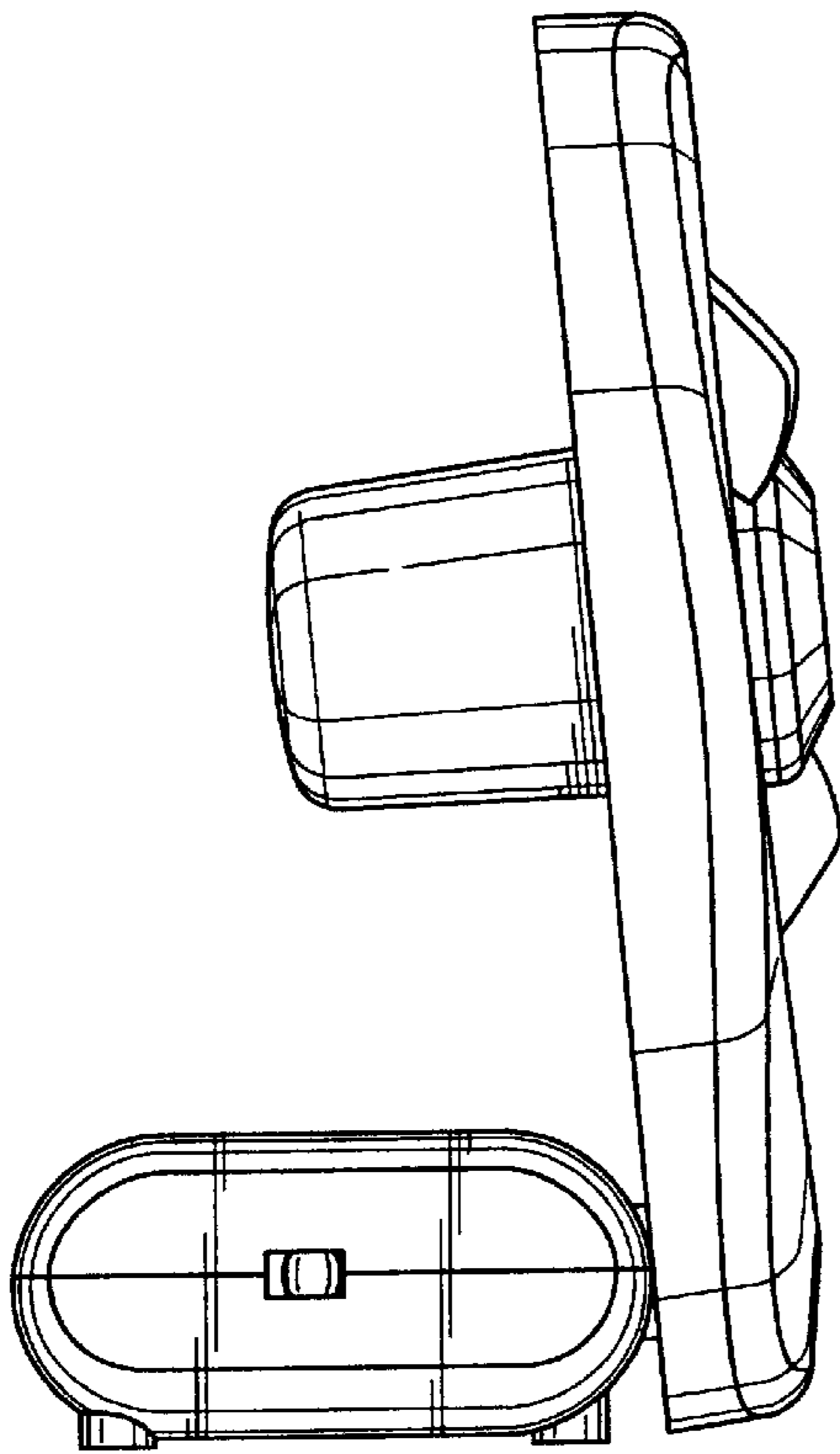
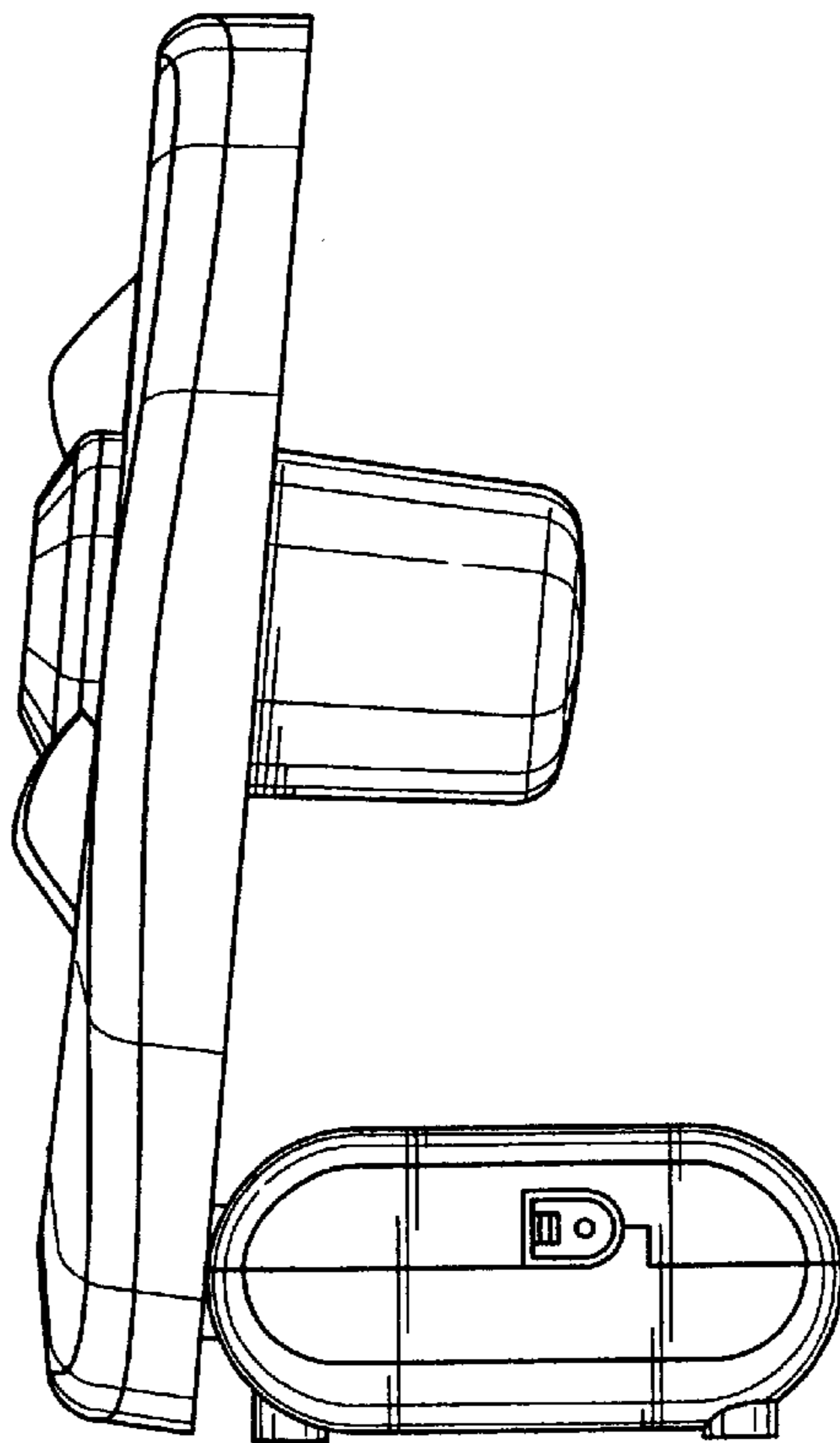


FIG. 3

FIG. 4



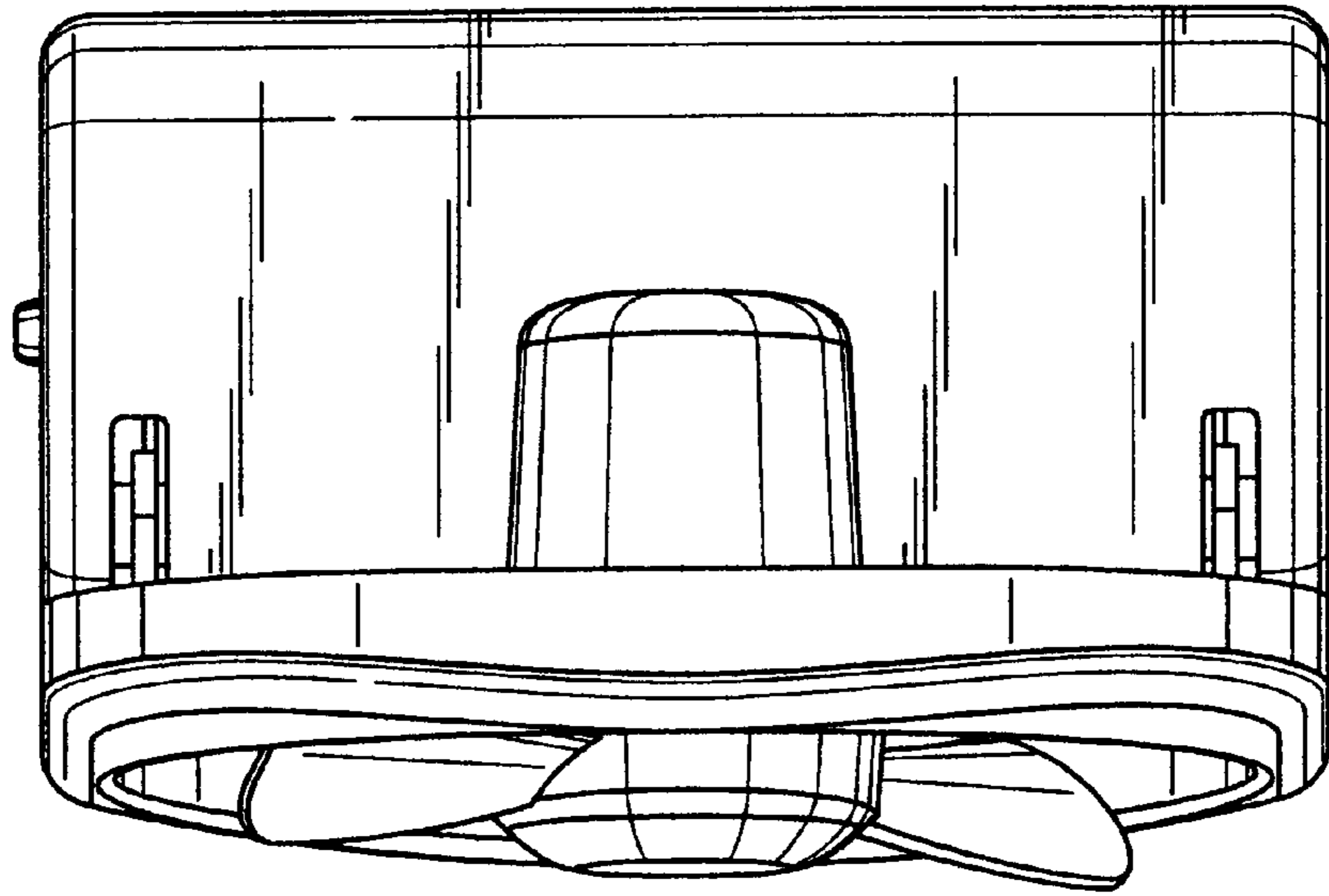


FIG. 5

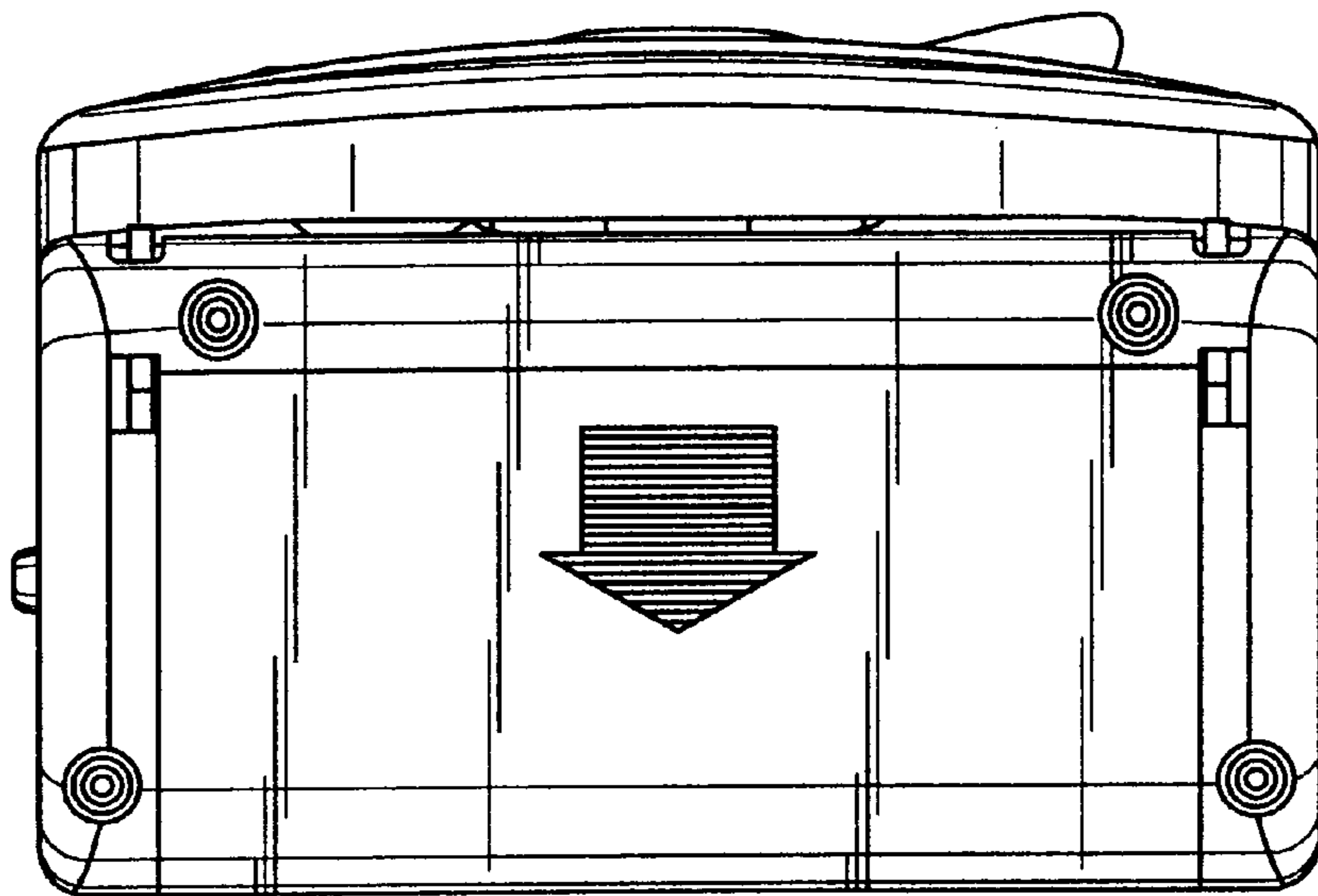


FIG. 6