



US00D459459S

(12) **United States Design Patent**
Yamada et al.

(10) **Patent No.:** **US D459,459 S**
(45) **Date of Patent:** **** Jun. 25, 2002**

(54) **ELECTRIC VAPORIZER**

D346,207 S * 4/1994 Martin D23/367
D447,551 S * 9/2001 A'Court D23/366

(75) Inventors: **Takashi Yamada; Hirotohi Tawara,**
both of Tokyo (JP)

* cited by examiner

(73) Assignee: **Kao Corporation (JP)**

Primary Examiner—Lisa Lichtenstein

(**) Term: **14 Years**

(74) *Attorney, Agent, or Firm*—Saidman DesignLaw Group

(21) Appl. No.: **29/144,828**

(57) **CLAIM**

(22) Filed: **Jul. 11, 2001**

The ornamental design for a electric vaporizer, as shown and described.

(30) **Foreign Application Priority Data**

DESCRIPTION

Jan. 23, 2001 (JP) 2001-001236

FIG. 1 is a perspective view of a electric vaporizer showing our new design;

(51) **LOC (7) Cl.** **23-04**

FIG. 2 is a top view thereof;

(52) **U.S. Cl.** **D23/366**

FIG. 3 is a front view thereof;

(58) **Field of Search** D23/366-369,
D23/355, 356-363; 422/305; 239/135, 136;
392/395, 392, 403, 405

FIG. 4 is a bottom view thereof;

FIG. 5 is a rear view thereof;

FIG. 6 is a left side view thereof; and,

FIG. 7 is a right side view thereof.

(56) **References Cited**

The broken lines shown in FIGS. 1-7 represent environmental subject matter and are for illustrative purposes only and form no part of the claimed design.

U.S. PATENT DOCUMENTS

D332,138 S * 12/1992 Lonker et al. D23/366

1 Claim, 4 Drawing Sheets

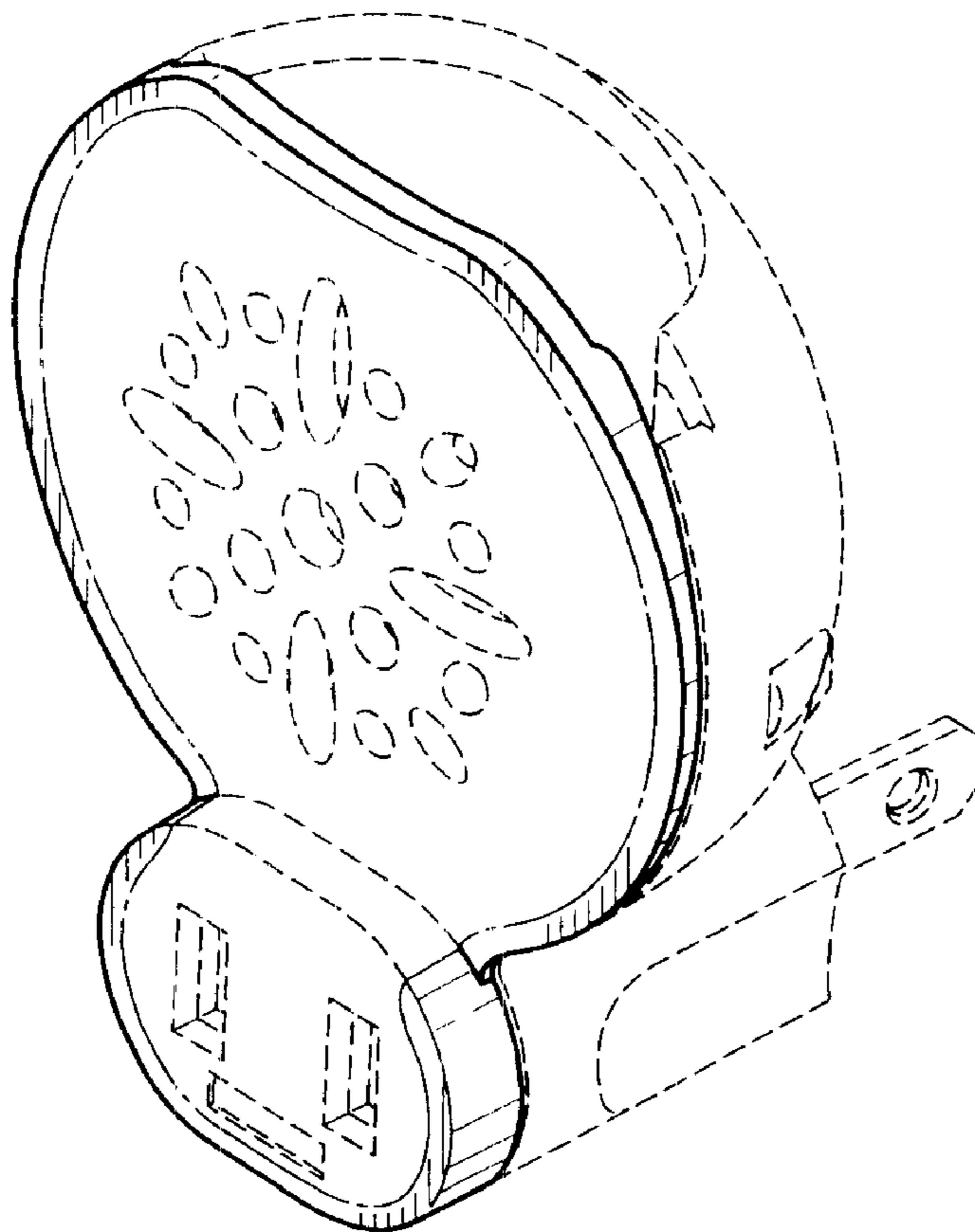


FIG.1

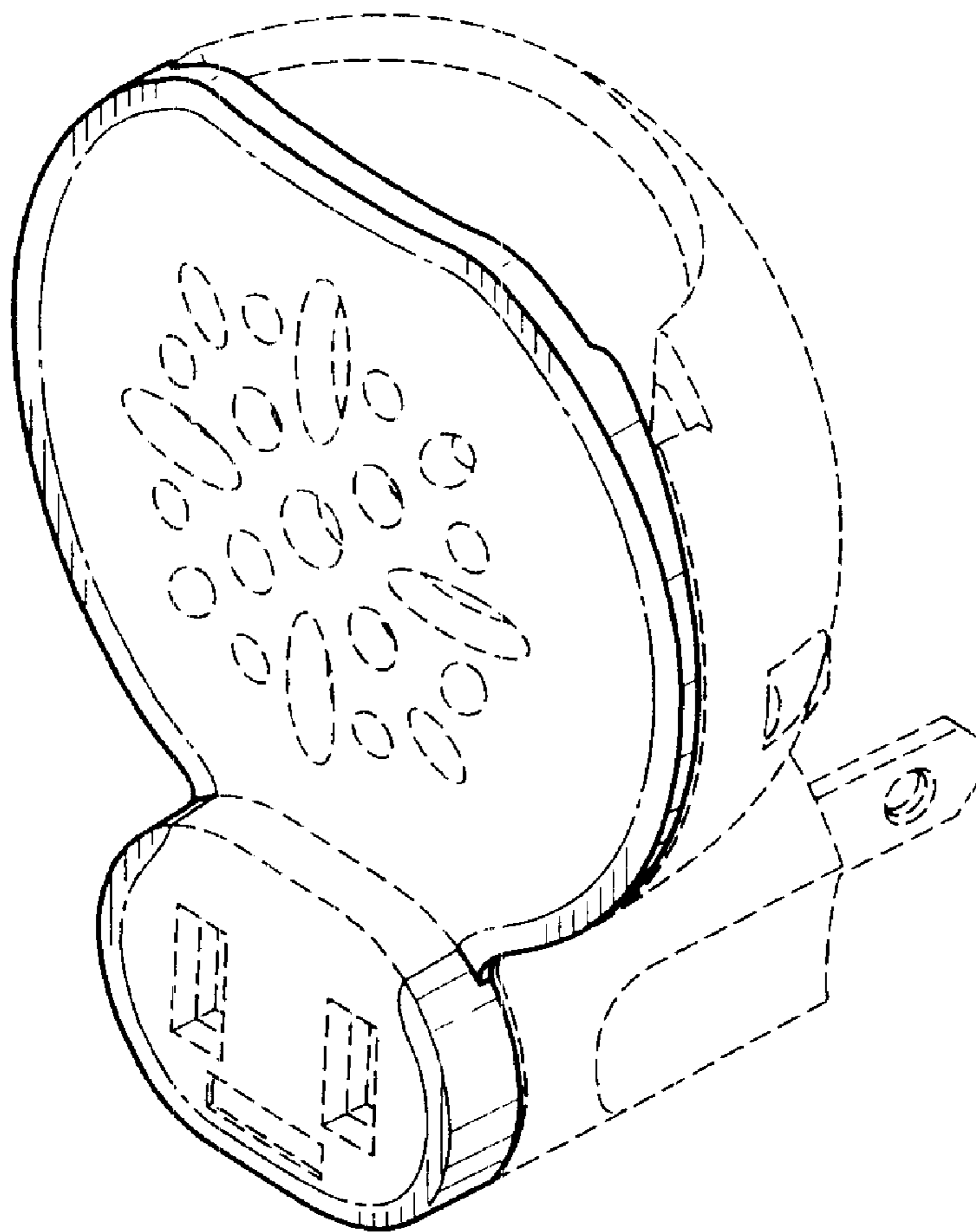


FIG.2

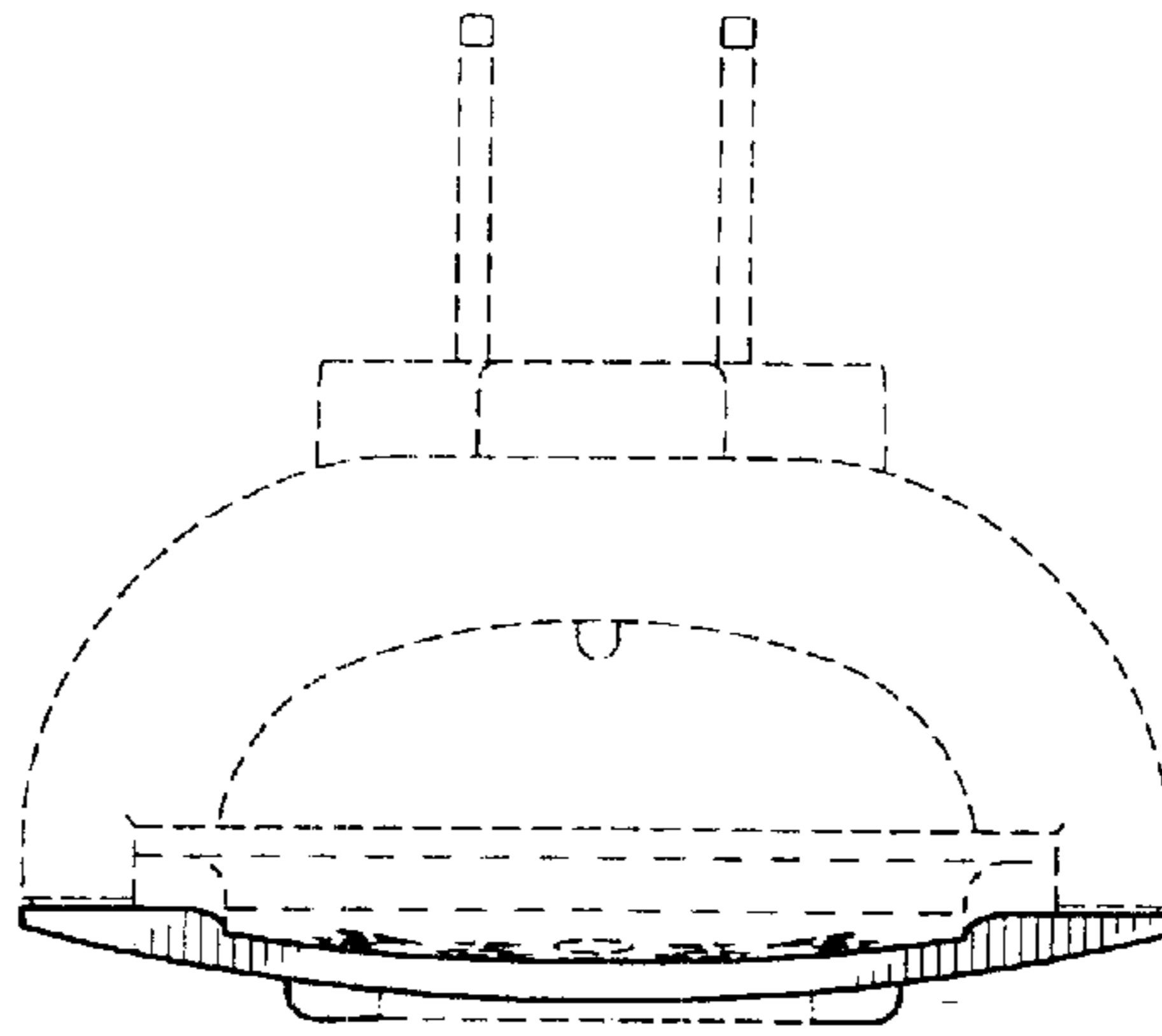


FIG.3

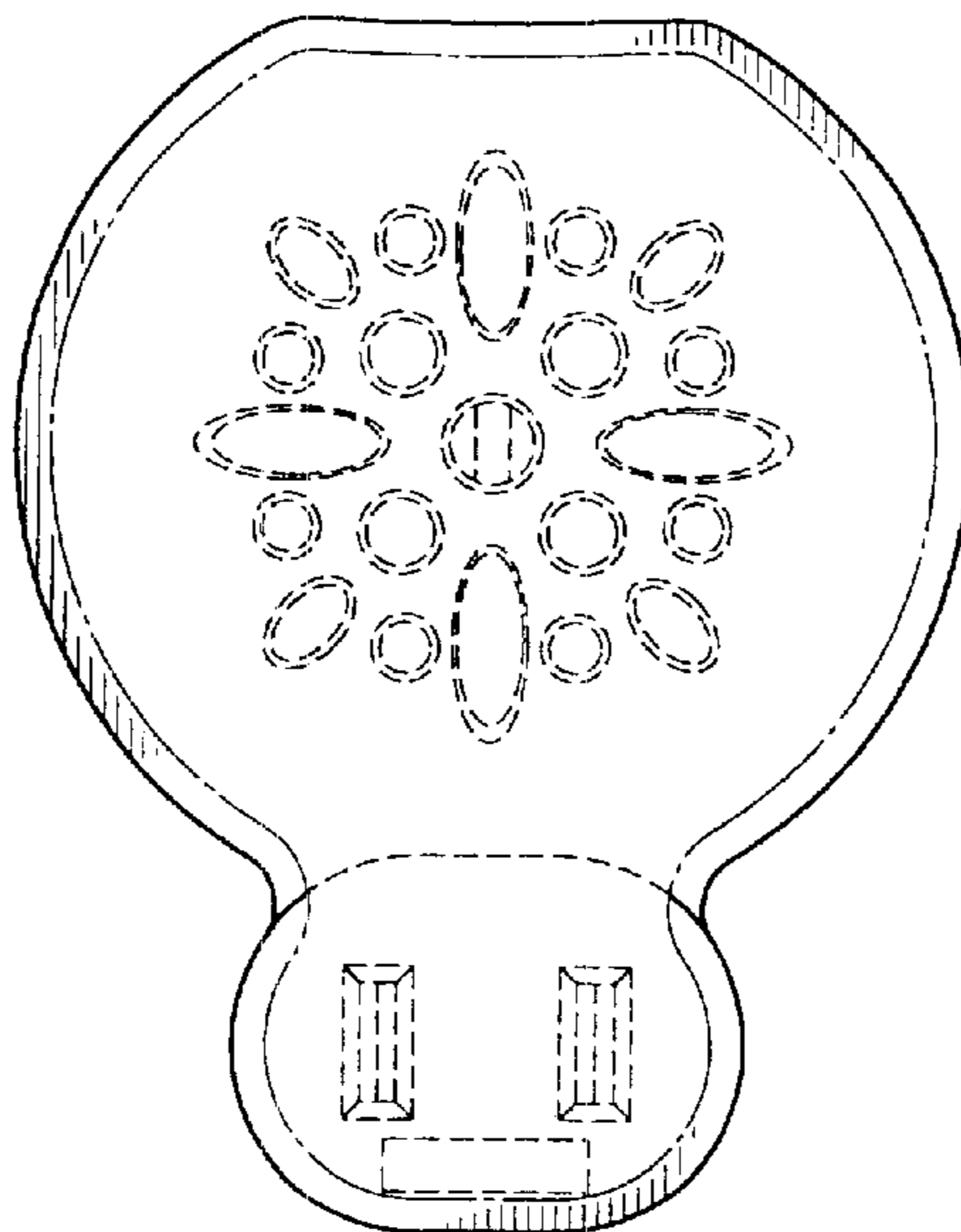


FIG.4

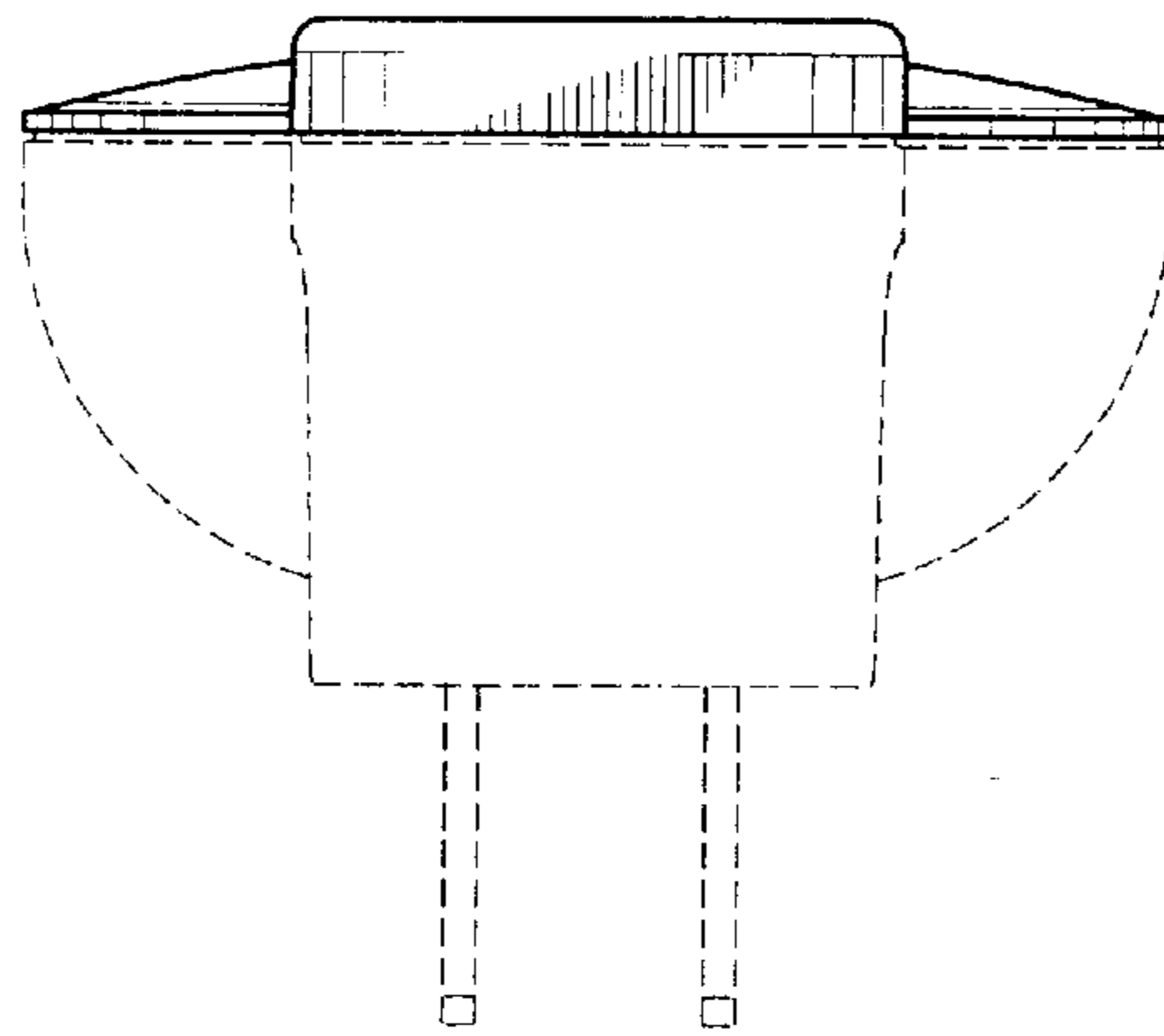


FIG.5

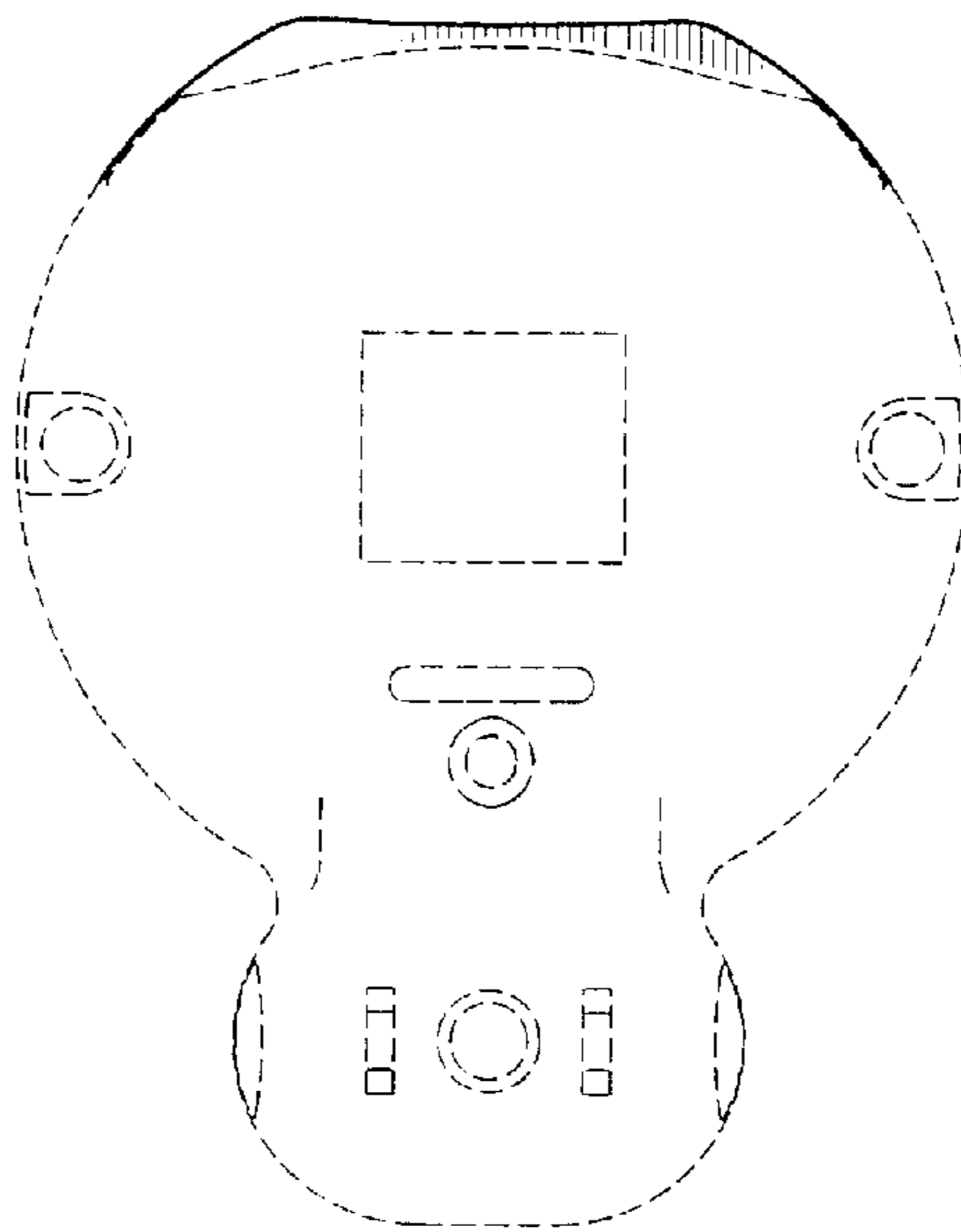


FIG.6

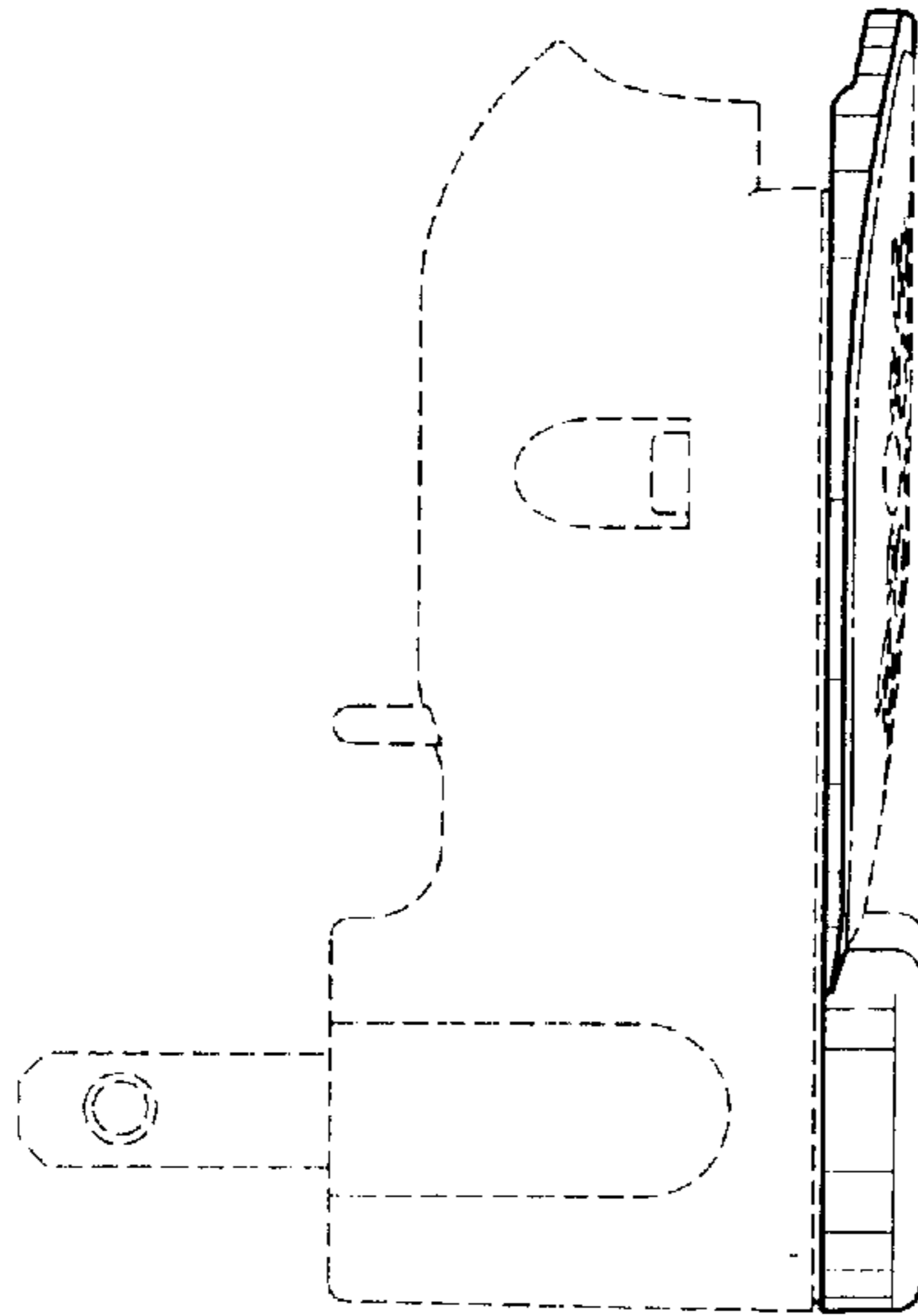


FIG.7

