



US00D459455S

(12) **United States Design Patent**
Twito

(10) **Patent No.:** **US D459,455 S**

(45) **Date of Patent:** **** Jun. 25, 2002**

(54) **REGULATOR UNIT FOR AIR FLOW IN AIR
CONDITIONING SYSTEMS**

(75) **Inventor:** **Israel Twito, Herzlia (IL)**

(73) **Assignee:** **Twitoplast, Ltd., Petach-Tikva (IL)**

(**) **Term:** **14 Years**

(21) **Appl. No.:** **29/138,170**

(22) **Filed:** **Mar. 6, 2001**

(30) **Foreign Application Priority Data**

Sep. 6, 2000 (IL) 34083

(51) **LOC (7) Cl.** **23-04**

(52) **U.S. Cl.** **D23/354; D23/393**

(58) **Field of Search** **D23/351, 354,
D23/393; 454/333, 335, 360-2, 339, 358,
347, 309, 313, 330; 236/45; 137/561 A;
138/37, 40, 111, 44; 285/131.1, 424**

(56) **References Cited**

U.S. PATENT DOCUMENTS

2,228,857 A * 1/1941 Stephenson 236/45

5,259,411 A * 11/1993 Guzorek 454/333
5,674,125 A * 10/1997 Xia et al. 454/335
5,857,617 A * 1/1999 Weng 454/333
5,921,277 A * 7/1999 Bernal 454/333
6,244,633 B1 * 6/2001 Warren 285/424
D446,298 S * 8/2001 Thurman D23/393

* cited by examiner

Primary Examiner—B. J. Bullock

(74) *Attorney, Agent, or Firm*—Medlen & Carroll, LLP

(57) **CLAIM**

I claim the ornamental design for a regulator unit for air flow in air conditioning systems, substantially as shown.

DESCRIPTION

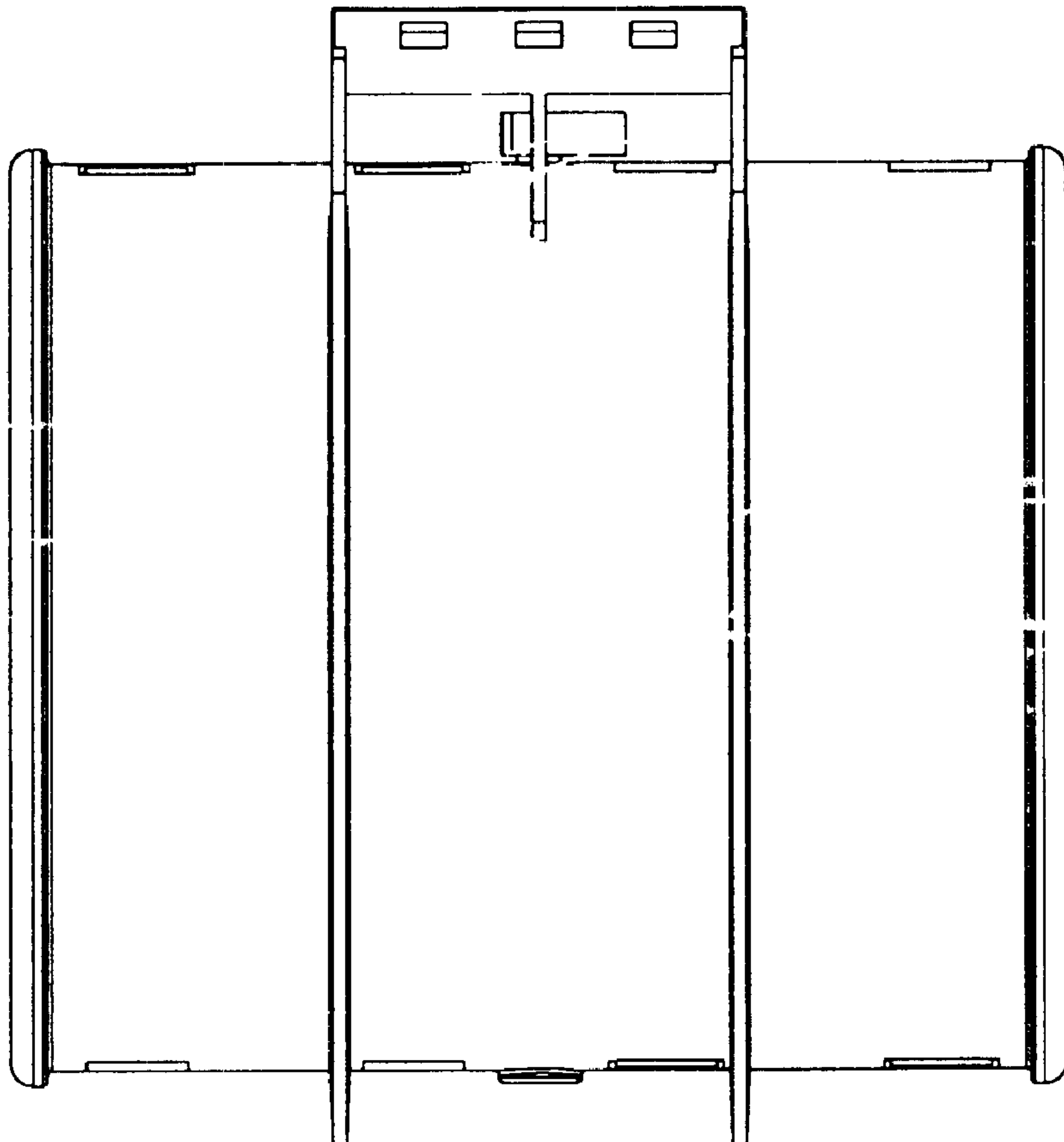
FIG. 1 is a side view of the regulator unit for air flow in air conditioning systems, showing its new design;

FIG. 2 is an end view thereof;

FIG. 3 is a perspective view thereof; and,

FIG. 4 is a side view thereof.

1 Claim, 1 Drawing Sheet



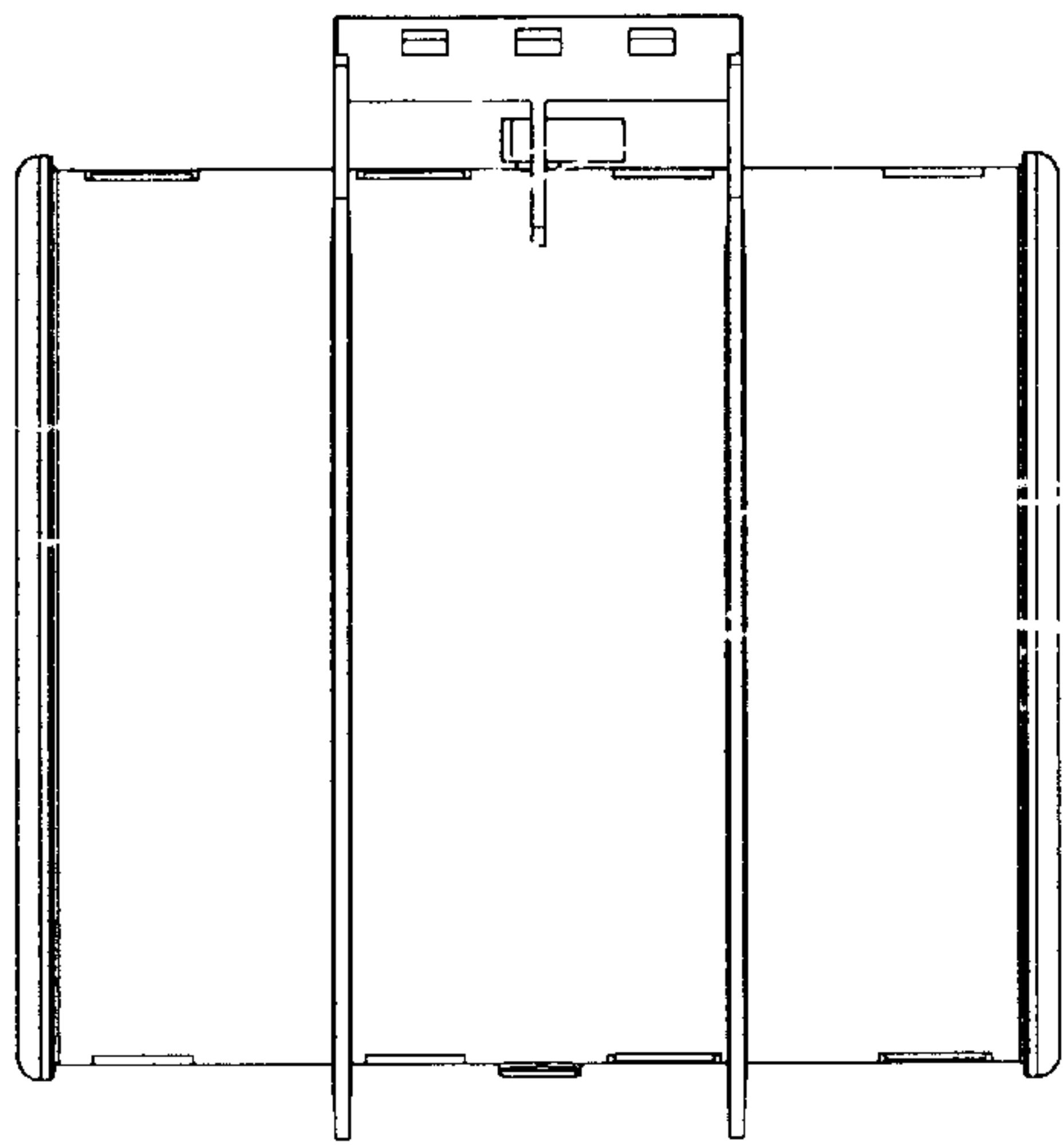


Fig. 1

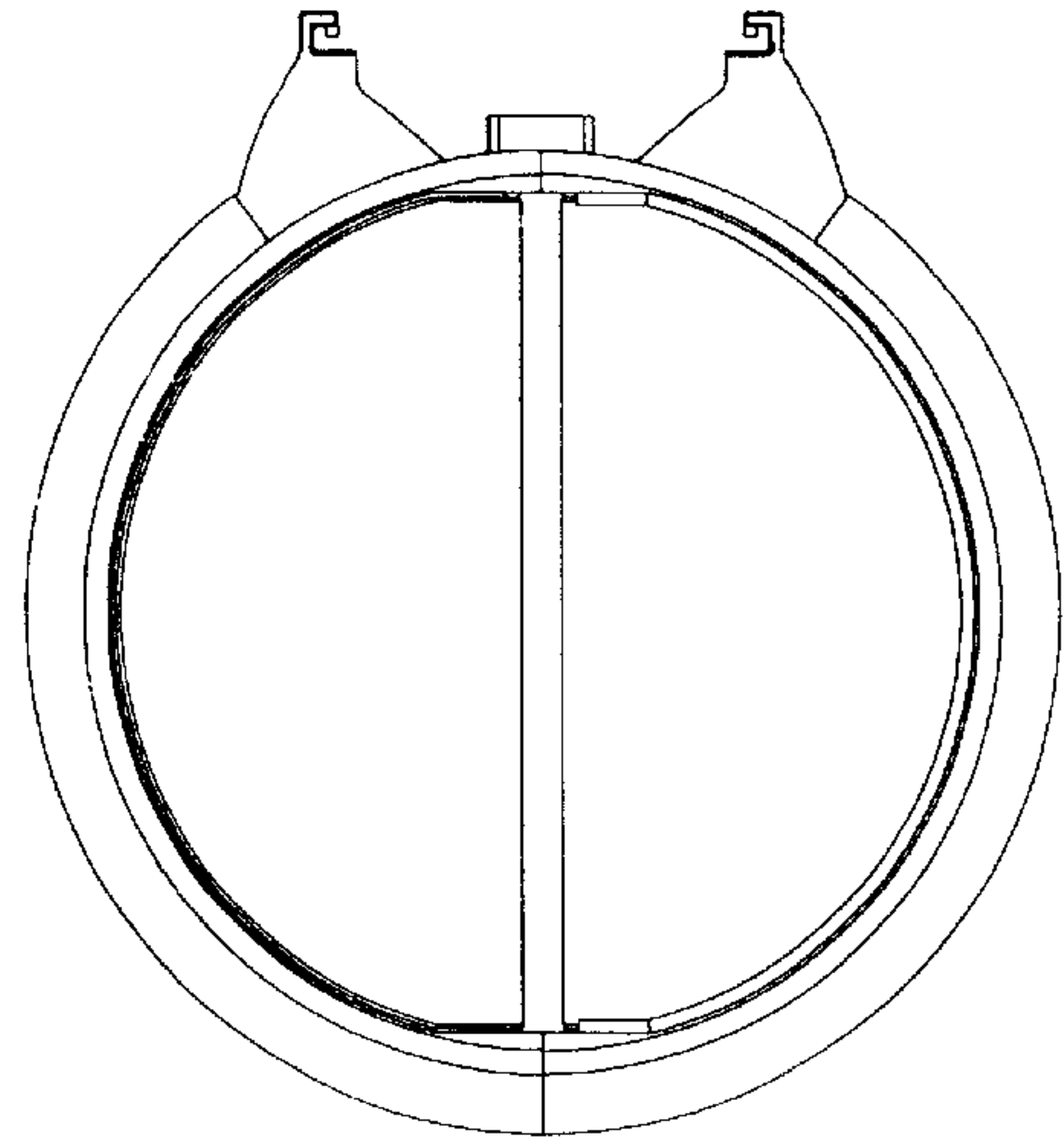


Fig. 2

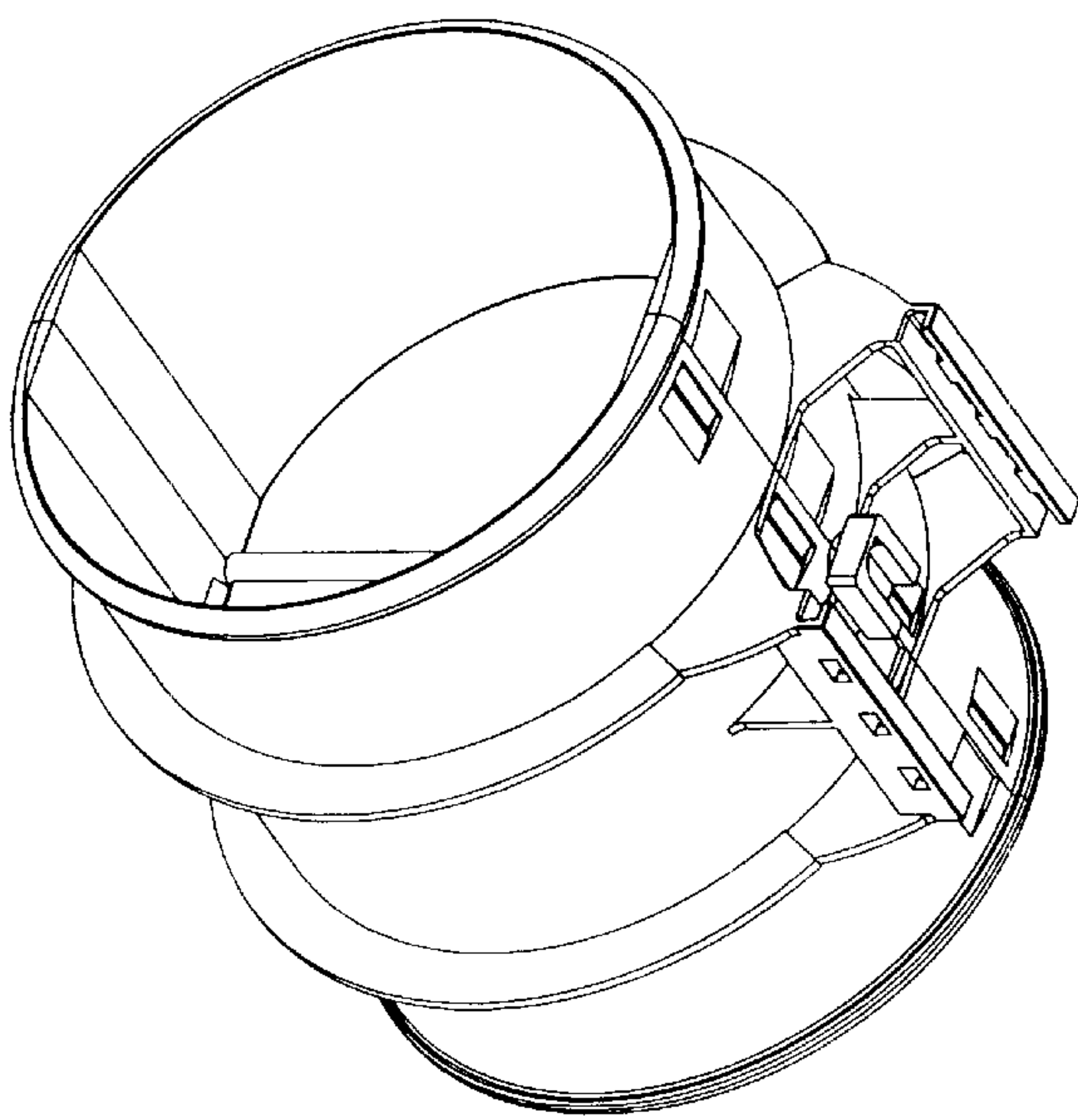


Fig. 3

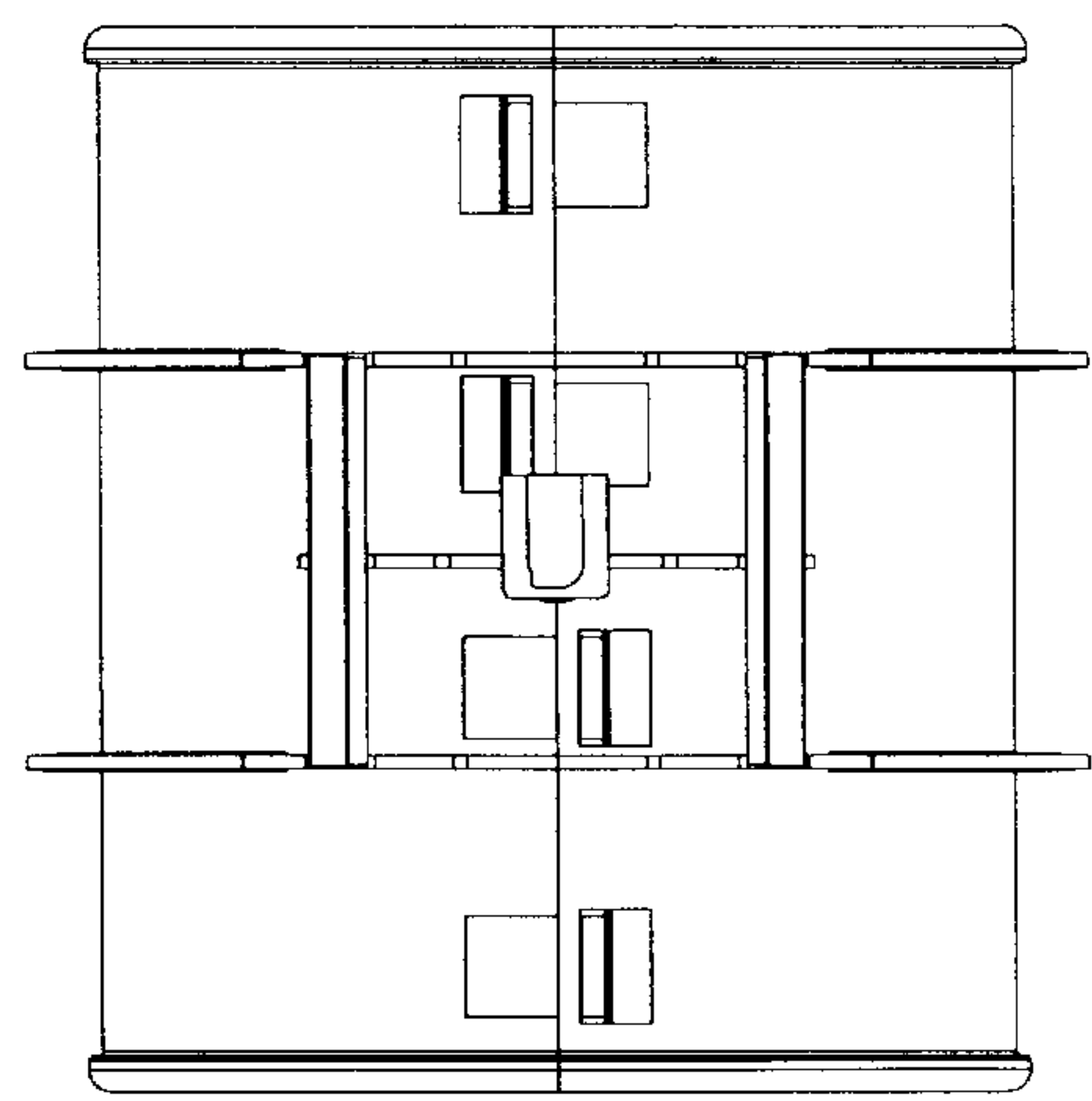


Fig. 4