



US00D459454S

(12) **United States Design Patent**  
**Shapiro**

(10) **Patent No.:** **US D459,454 S**

(45) **Date of Patent:** **\*\* Jun. 25, 2002**

(54) **HEATER**

(75) **Inventor:** **Barry Shapiro**, Doylestown, PA (US)

(73) **Assignee:** **Lasko Holdings, Inc.**, West Chester, PA (US)

(\*\*) **Term:** **14 Years**

(21) **Appl. No.:** **29/152,967**

(22) **Filed:** **Jan. 4, 2002**

(51) **LOC (7) Cl.** ..... **23-03**

(52) **U.S. Cl.** ..... **D23/335**

(58) **Field of Search** ..... D23/314, 332,  
D23/335-341; 126/90 A, 92 A, 92 B, 67;  
312/236; 392/365-9, 373-6

(56) **References Cited**

**U.S. PATENT DOCUMENTS**

D353,885 S \* 12/1994 Hydak et al. .... D23/332  
D384,733 S \* 10/1997 Jane et al. .... D23/335

D402,742 S \* 12/1998 Chen ..... D23/335

D421,646 S \* 3/2000 Palma et al. .... D23/335

D446,291 S \* 8/2001 Birdsell et al. .... D23/332

\* cited by examiner

*Primary Examiner*—B. J. Bullock

(74) *Attorney, Agent, or Firm*—Zachary T. Wobensmith, III

(57) **CLAIM**

The ornamental design for a heater, as shown and described.

**DESCRIPTION**

FIG. 1 is a perspective view of a heater showing my new design;

FIG. 2 is a front elevational view thereof;

FIG. 3 is a rear elevational view thereof;

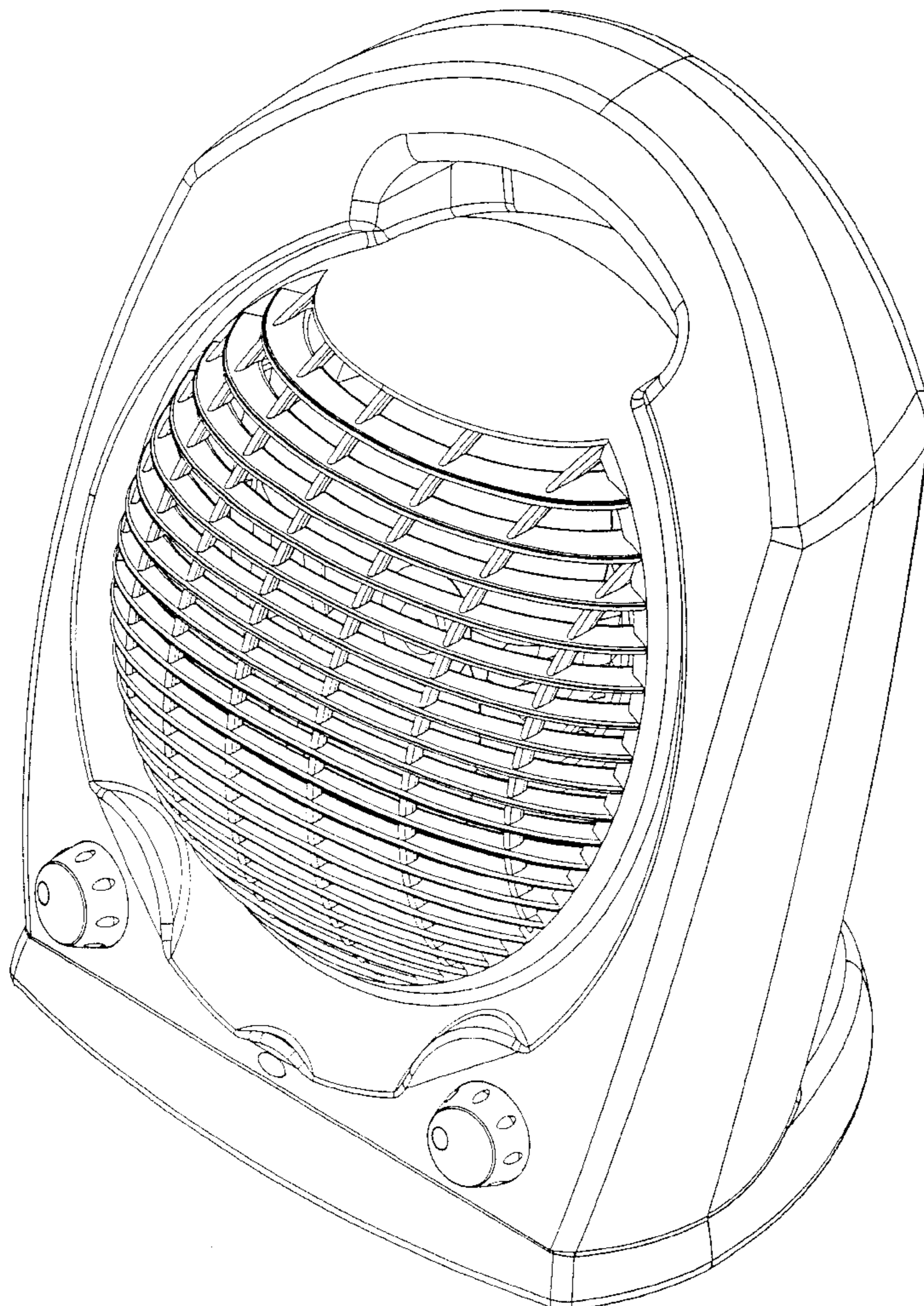
FIG. 4 is a right side elevational view thereof;

FIG. 5 is a left side elevational view thereof;

FIG. 6 is a top view thereof; and,

FIG. 7 is a bottom view thereof.

**1 Claim, 7 Drawing Sheets**



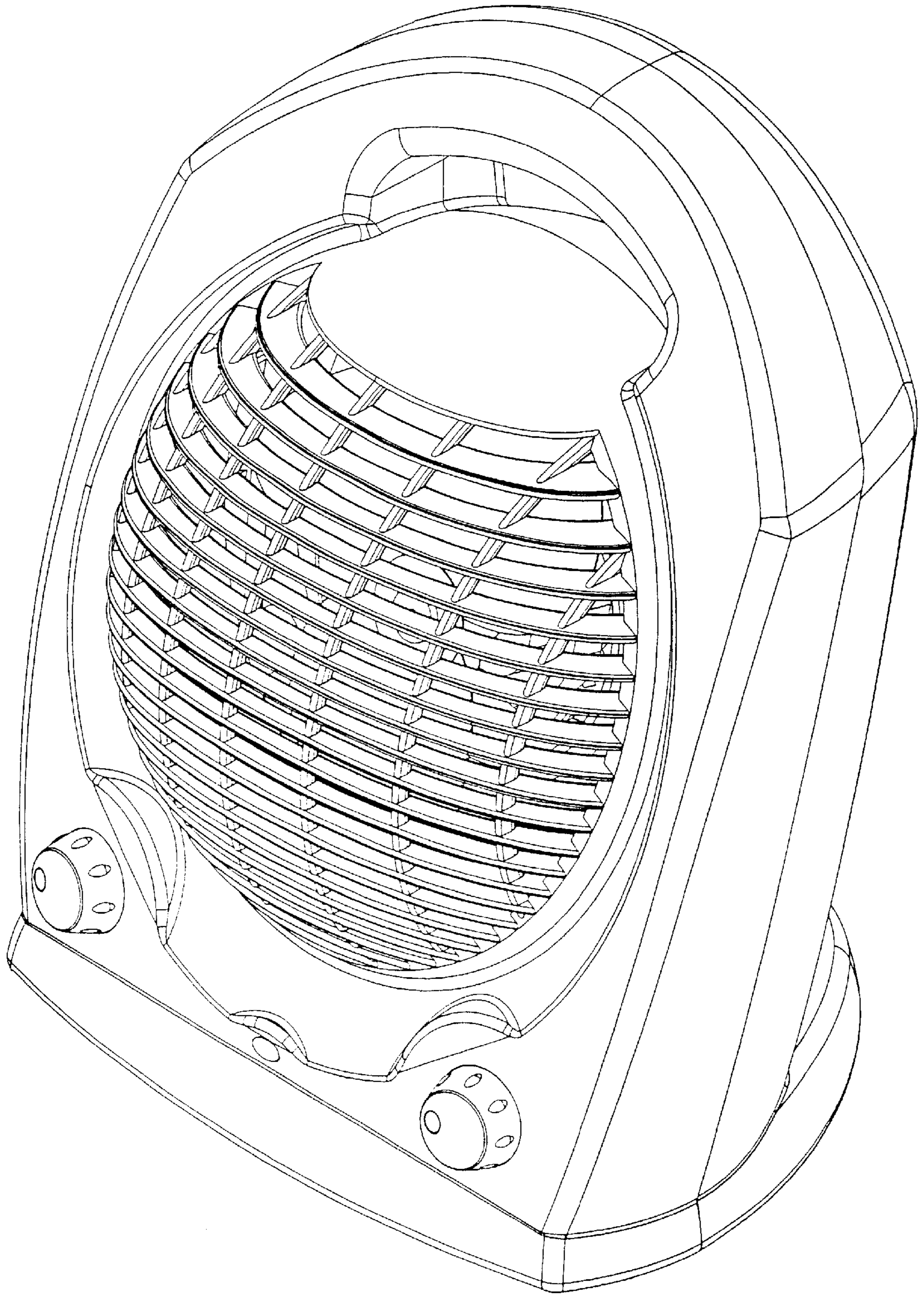


Fig. 1



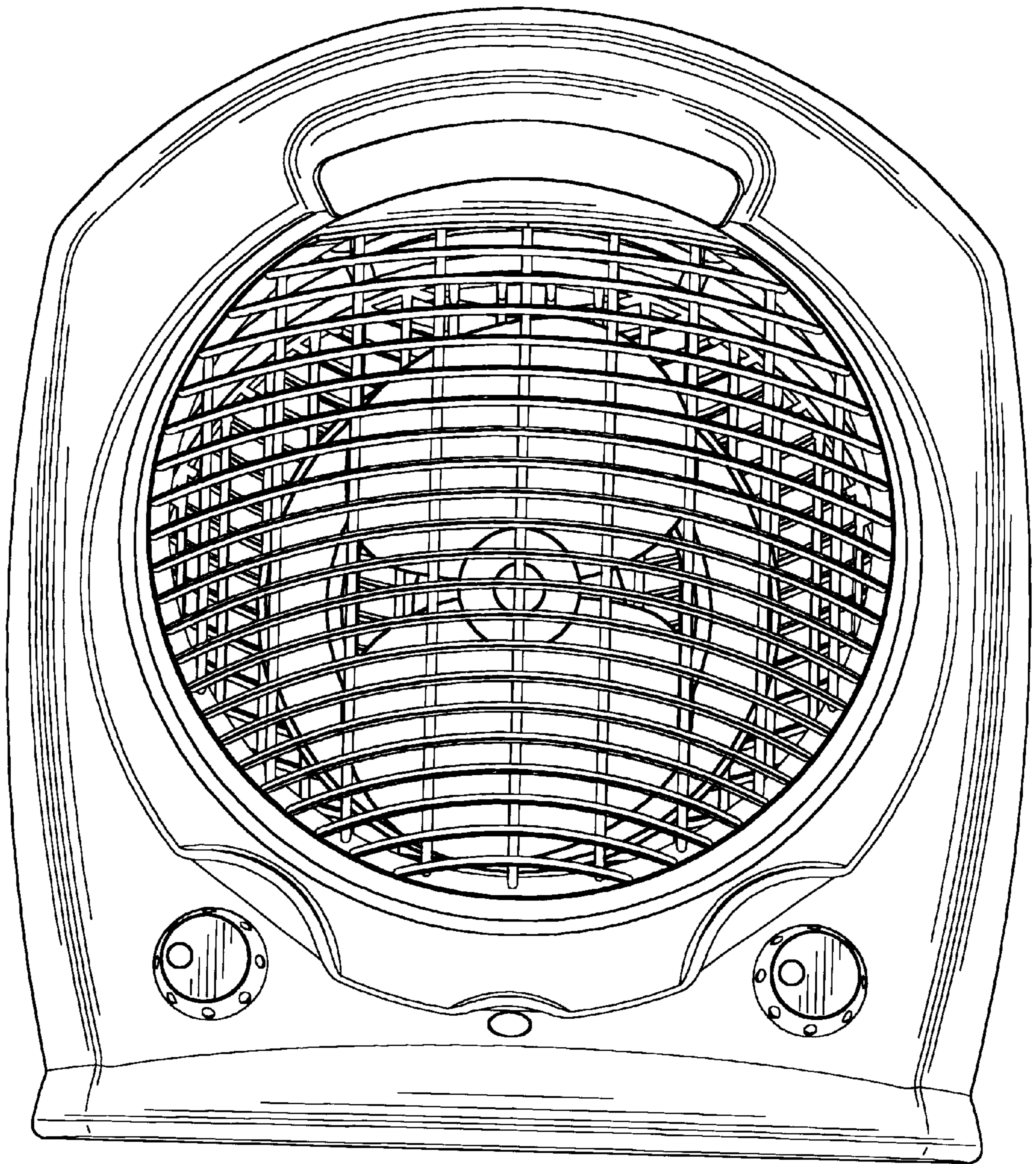


Fig. 2

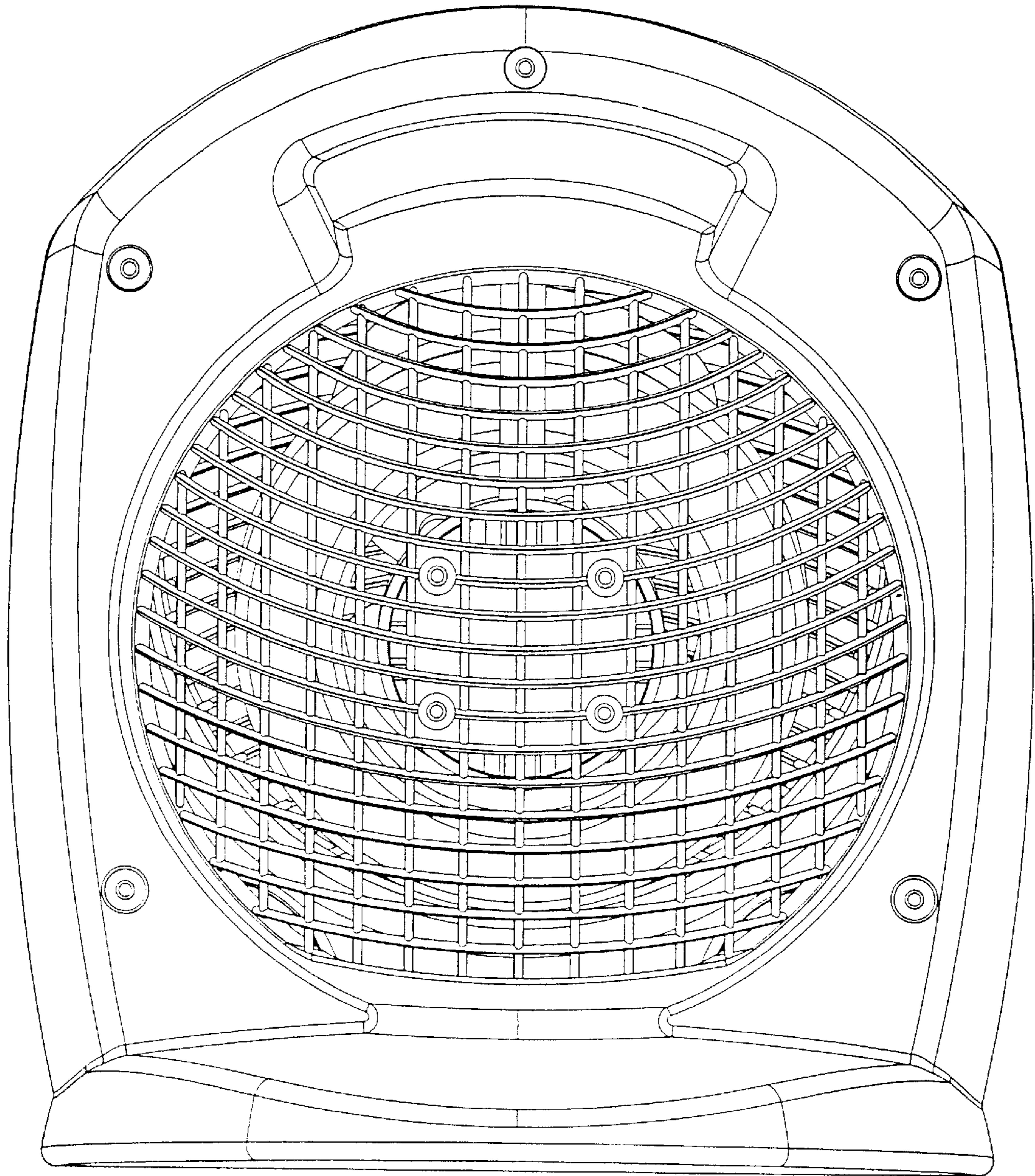
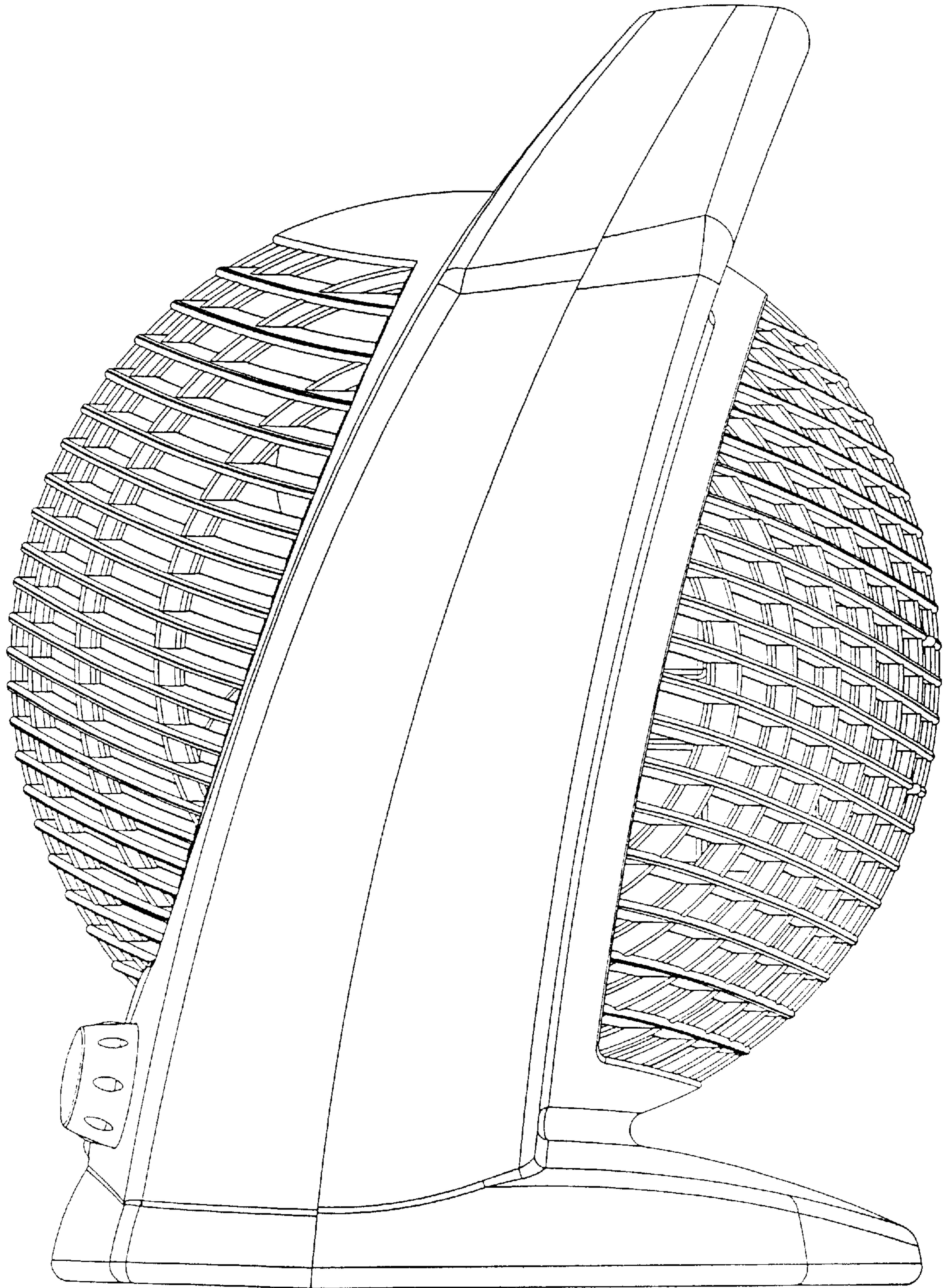


Fig. 3





*Fig. 4*

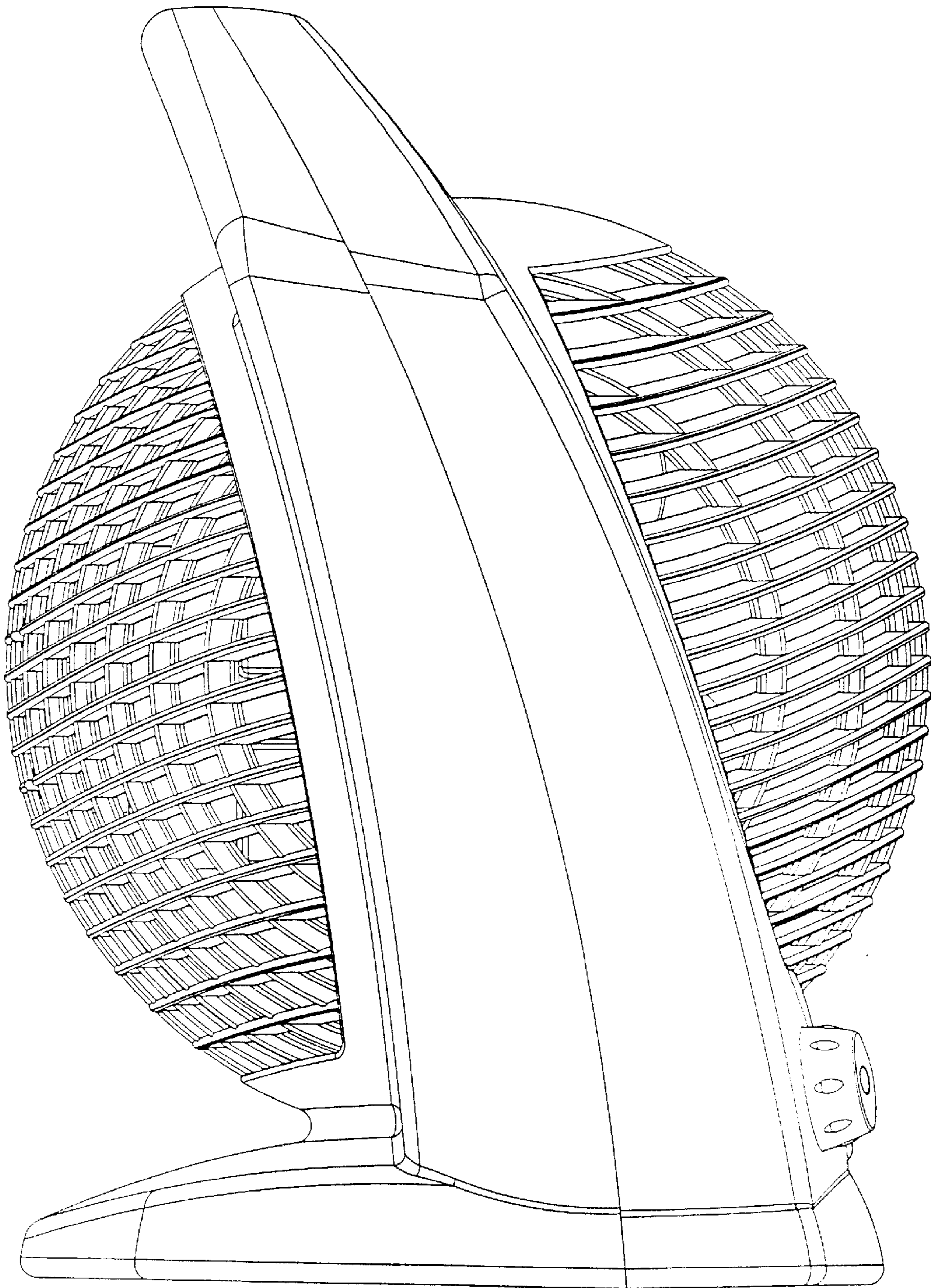


Fig. 5



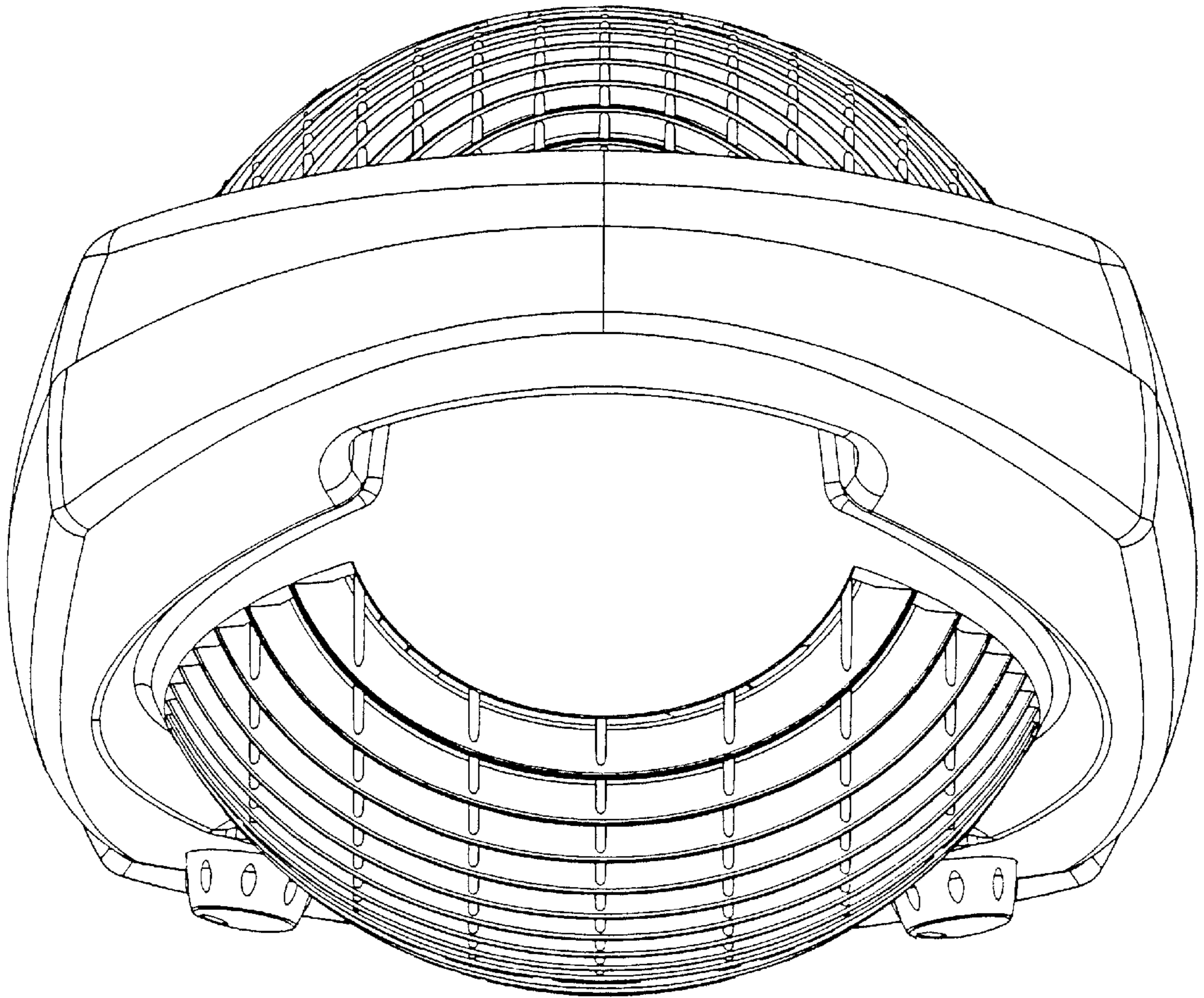


Fig. 6

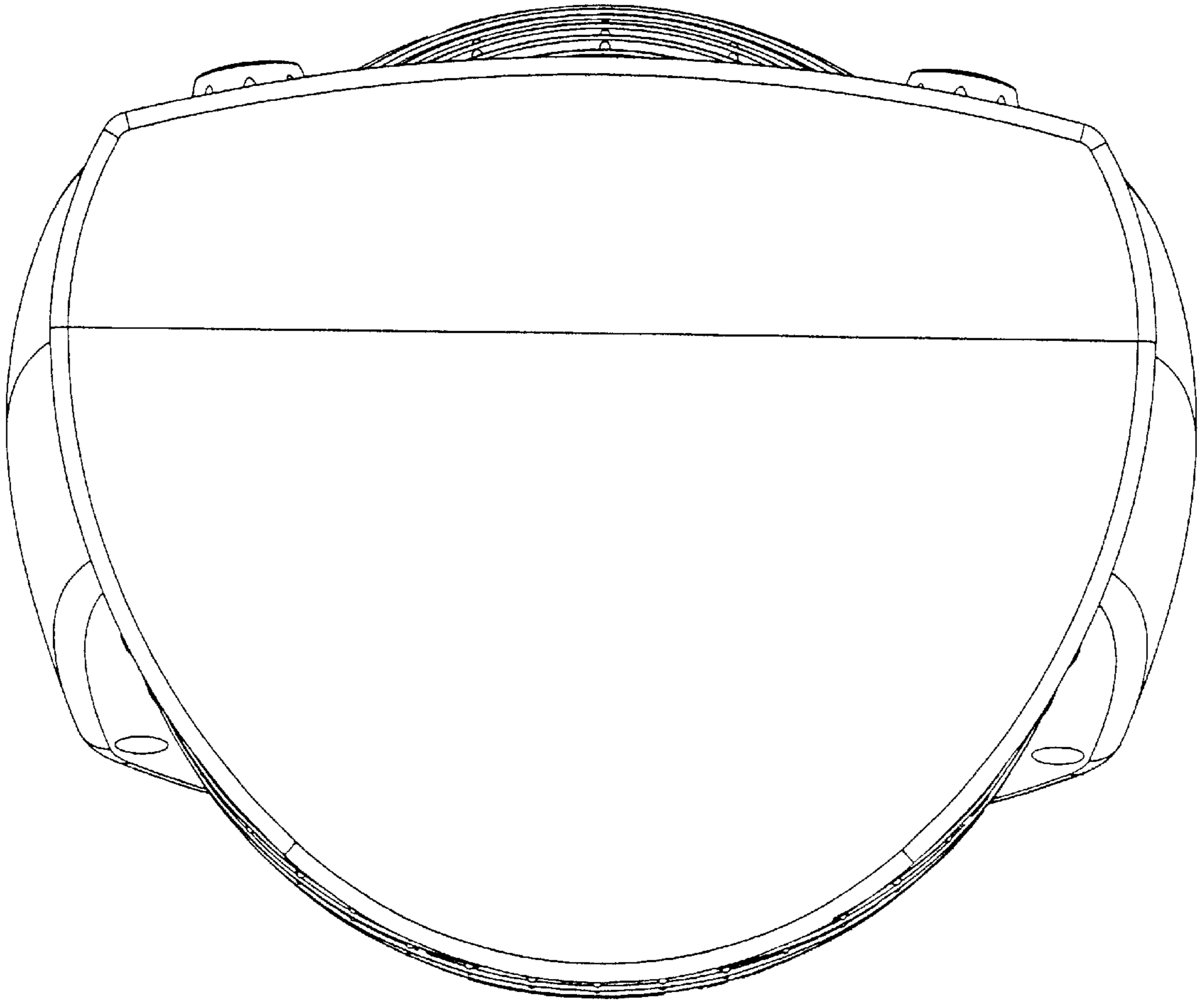


Fig. 7