



US00D459452S

(12) **United States Design Patent**  
**Blanco, Jr.**

(10) **Patent No.:** **US D459,452 S**

(45) **Date of Patent:** **\*\* Jun. 25, 2002**

(54) **INSTANTANEOUS ELECTRIC SHOWER  
WATER HEATER**

6,240,250 B1 \* 5/2001 Blanco, Jr. .... 392/474

\* cited by examiner

(76) **Inventor:** **Byron Blanco, Jr.**, 30401 Marbella  
Vista, San Juan Capistrano, CA (US)  
92675

*Primary Examiner*—B. J. Bullock

(74) *Attorney, Agent, or Firm*—James G. O’Neill

(\*\*) **Term:** **14 Years**

(57) **CLAIM**

The ornamental design for an instantaneous electric shower  
water heater, as shown and described.

(21) **Appl. No.:** **29/142,525**

(22) **Filed:** **May 25, 2001**

**DESCRIPTION**

(51) **LOC (7) Cl.** ..... **23-03**

(52) **U.S. Cl.** ..... **D23/318**

(58) **Field of Search** ..... D23/318, 320–22;  
126/344, 350 D, 380; 392/465, 473, 479,  
487–9, 474, 475, 480, 490; 222/146.5;  
4/598; 239/135, 139

FIG. 1 is a front perspective view of an instantaneous  
electric shower water heater, showing my new design;  
FIG. 2 is a front elevational view thereof;  
FIG. 3 is a rear elevational view thereof;  
FIG. 4 is a right side elevational view thereof; the left side  
being a mirror image thereof;  
FIG. 5 is a top plan view thereof; and,  
FIG. 6 is a bottom plan view thereof.

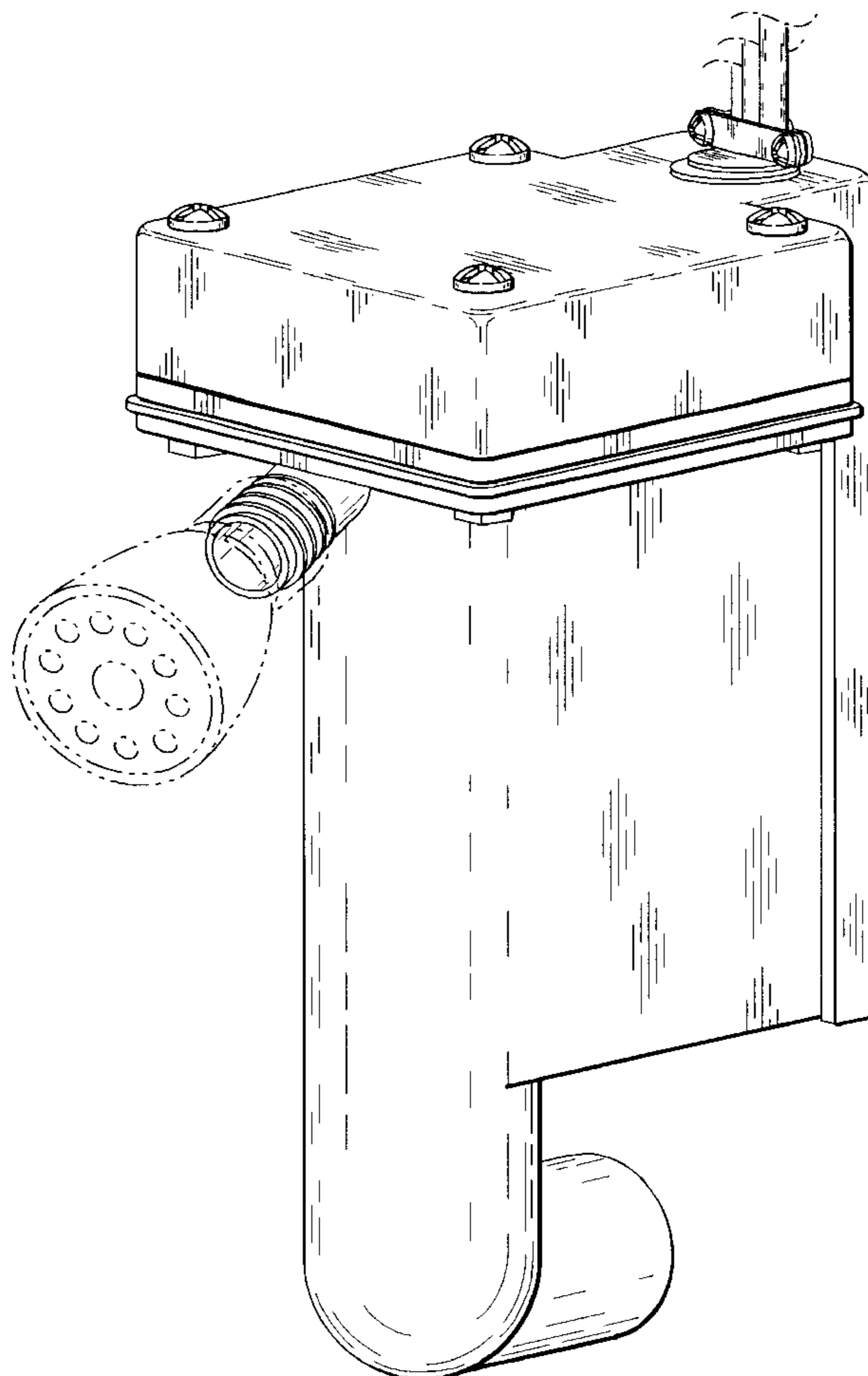
(56) **References Cited**

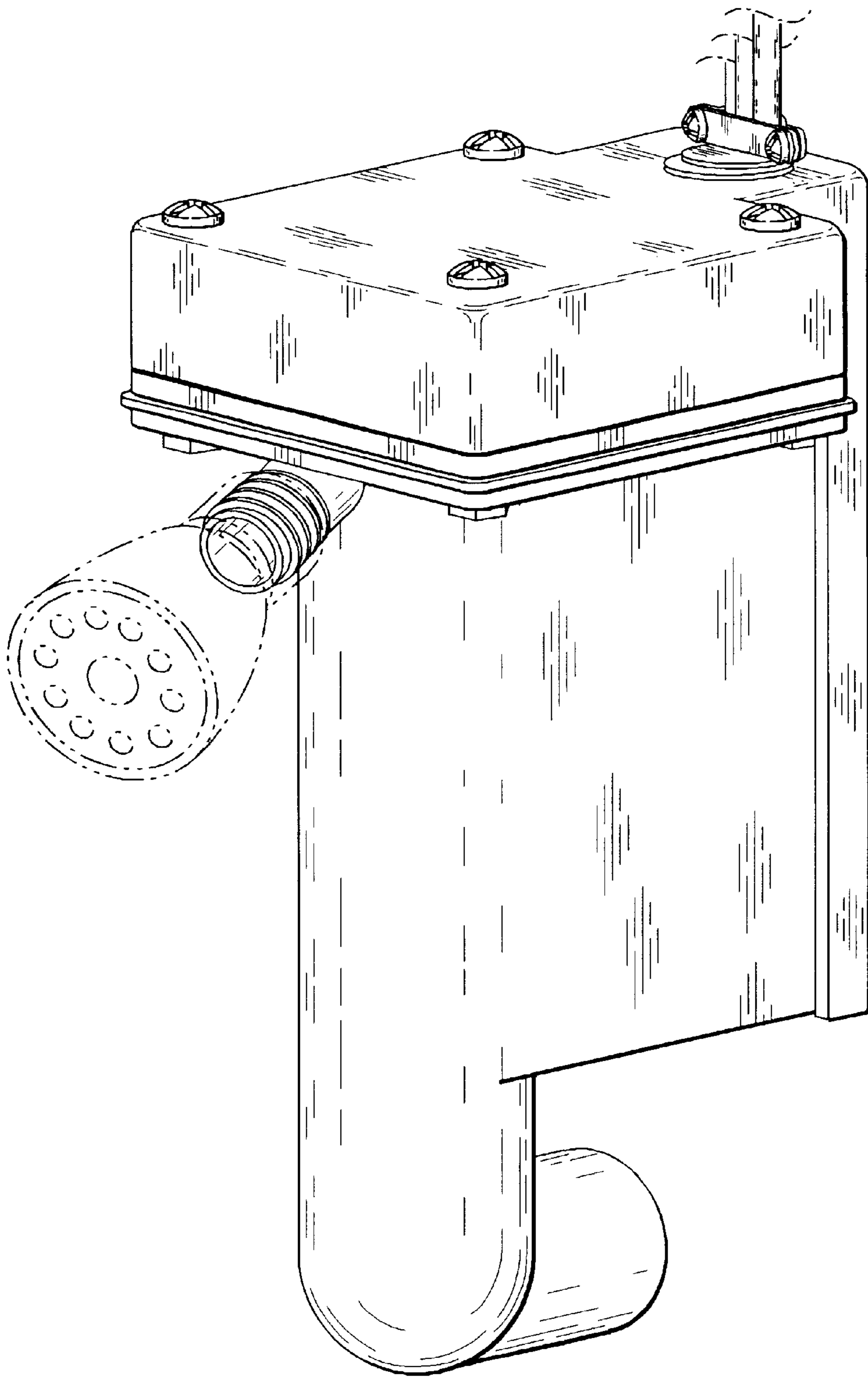
**U.S. PATENT DOCUMENTS**

- 4,085,308 A \* 4/1978 Youngquist ..... 222/146.5
- D265,236 S \* 6/1982 Yamin ..... D23/318
- D294,288 S 2/1988 Blanco
- 5,408,578 A \* 4/1995 Bolivar ..... 392/490

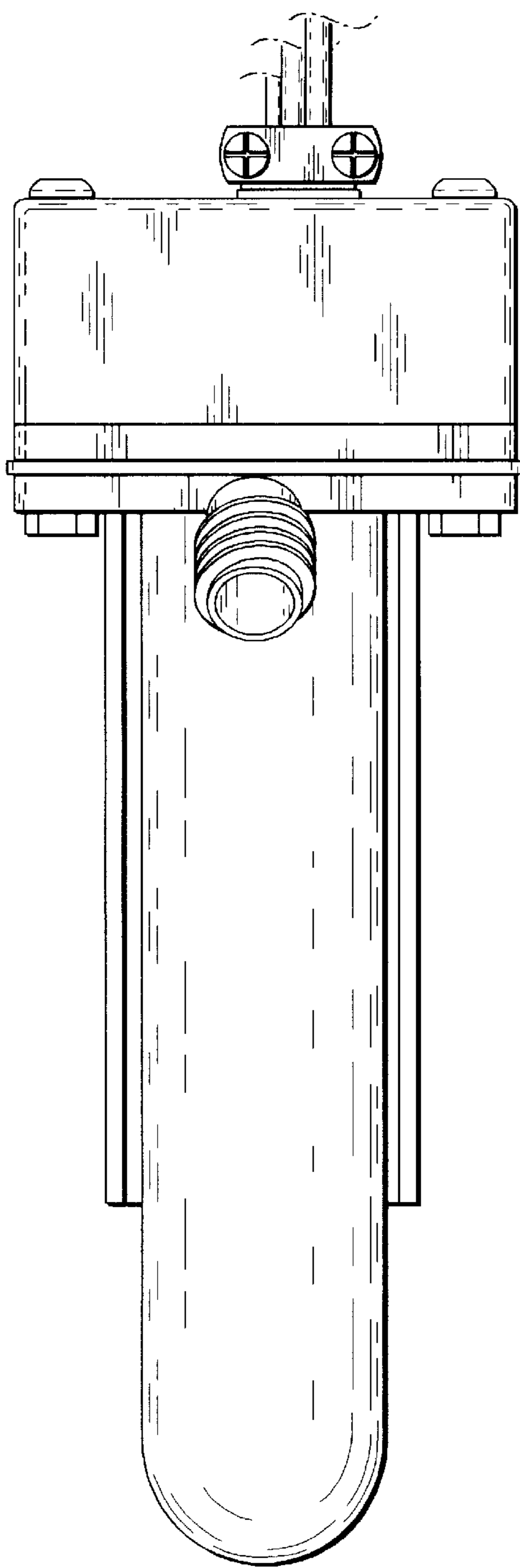
The broken line representation of a shower head in FIG. 1  
and the fragmentary broken line representation of electrical  
cables in FIGS. 1, 2, 3, 4 and 5 are for illustrative purposes  
only and form no part of the claimed design.

**1 Claim, 3 Drawing Sheets**

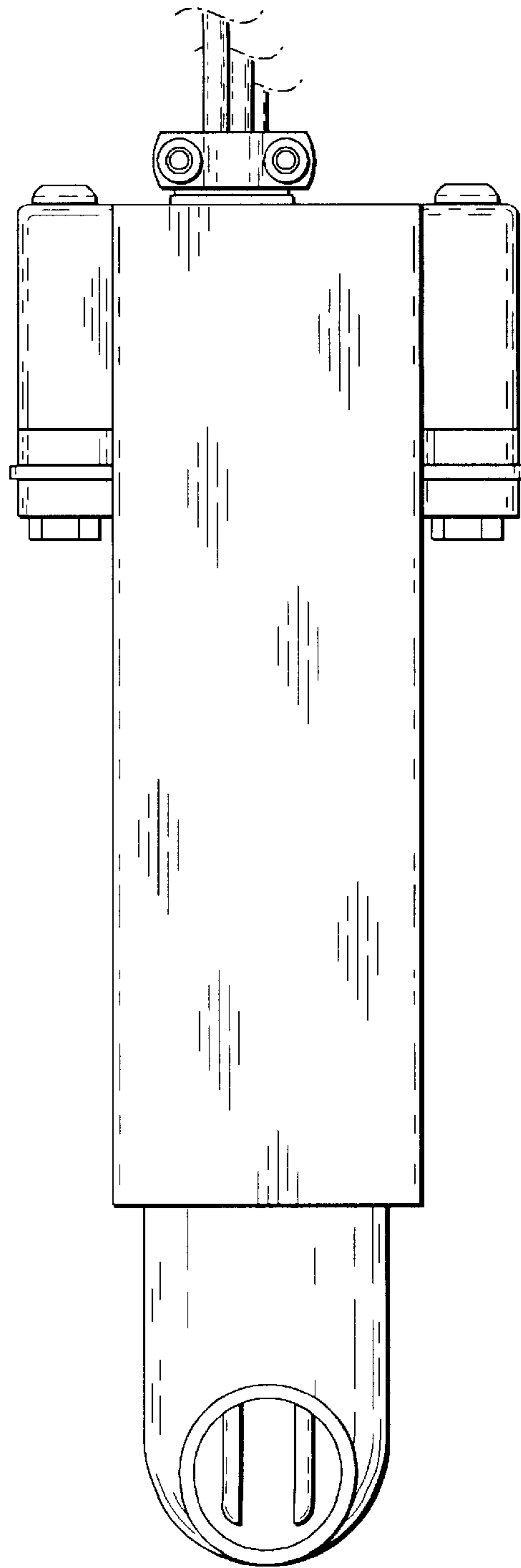




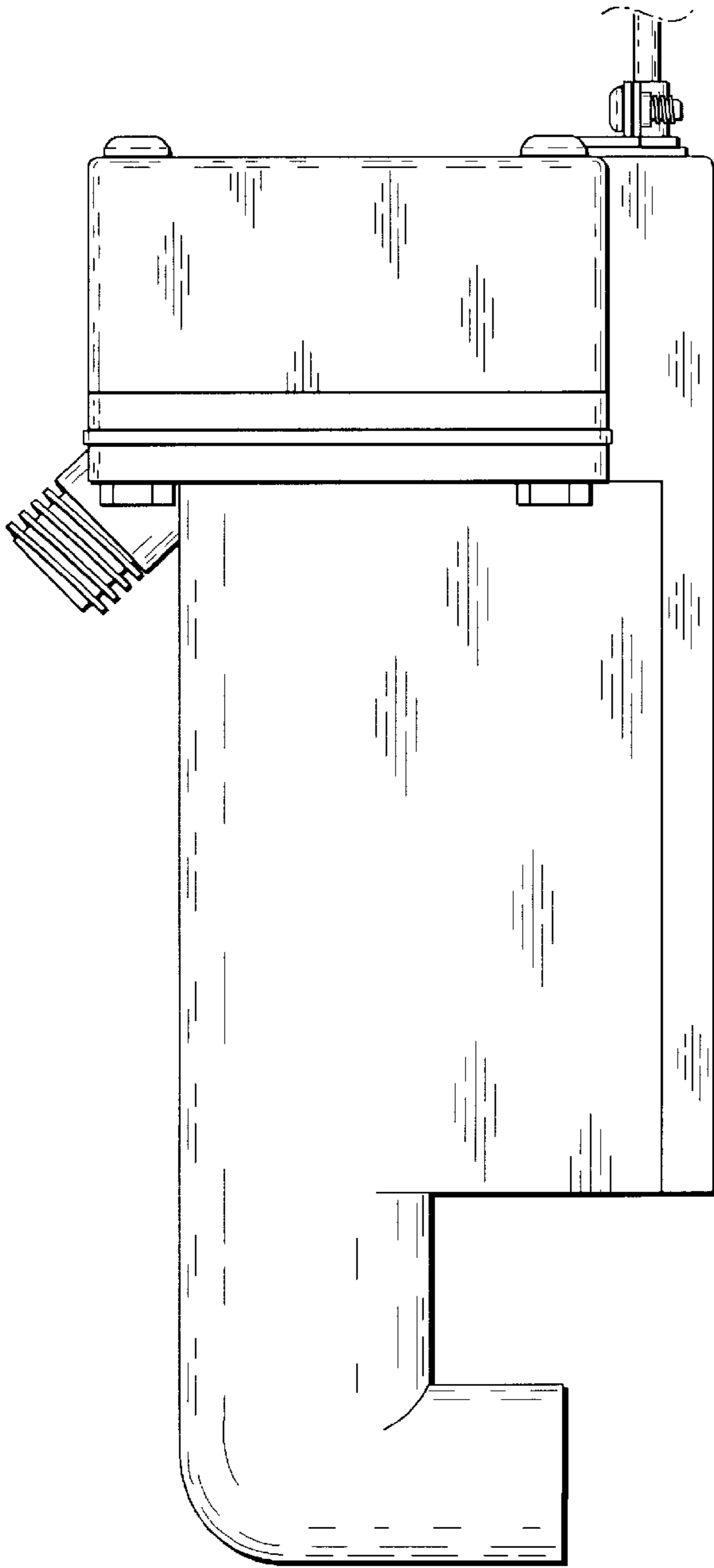
*Fig. 1*



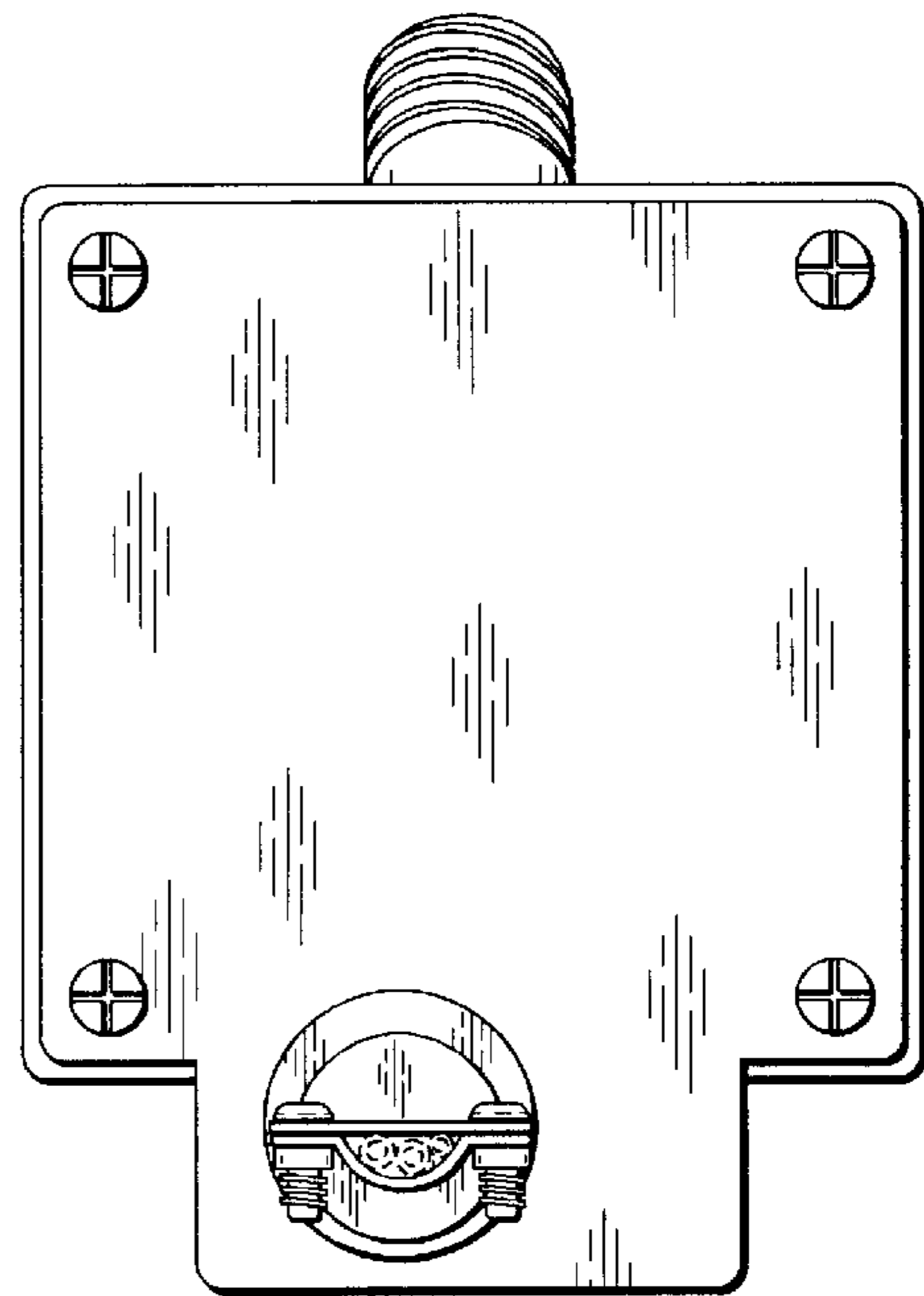
*Fig. 2*



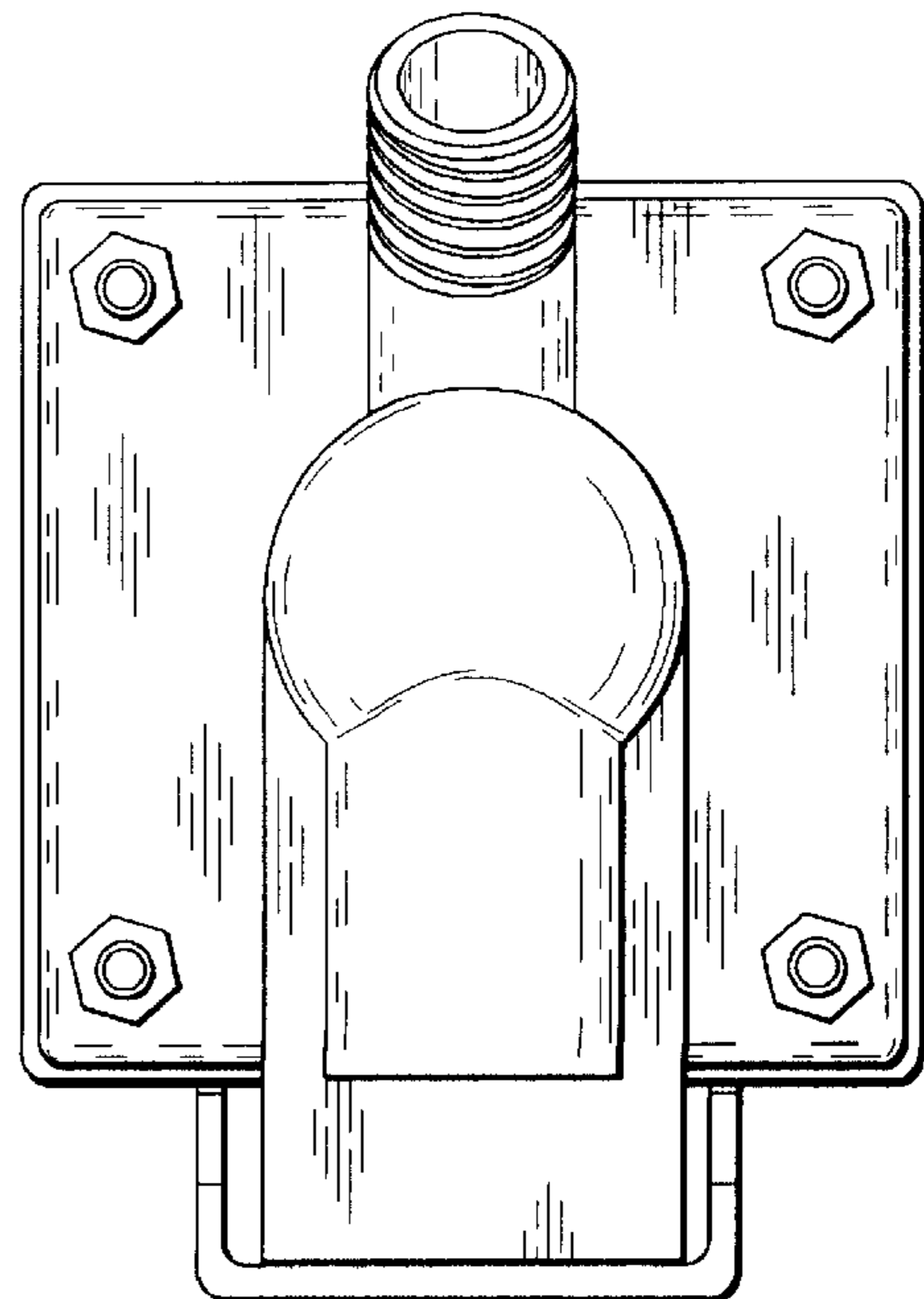
*Fig. 3*



*Fig. 4*



*Fig. 5*



*Fig. 6*