



US00D459450S

(12) **United States Design Patent**
Minami

(10) **Patent No.:** **US D459,450 S**

(45) **Date of Patent:** **** Jun. 25, 2002**

(54) **SWIVEL PEDESTAL AND SINK FOR WASHING HAIR**

6,016,578 A * 1/2000 Malouf D23/284 X
6,170,096 B1 * 1/2001 Rasmussen 4/519

(75) Inventor: **Nobuyuki Minami**, Osaka (JP)

* cited by examiner

(73) Assignee: **Oohiro Works, Ltd.**, Osaka (JP)

Primary Examiner—Louis S. Zarfes

(**) Term: **14 Years**

Assistant Examiner—Robert A. Delehanty

(21) Appl. No.: **29/131,675**

(74) *Attorney, Agent, or Firm*—Burr & Brown

(22) Filed: **Oct. 26, 2000**

(57) **CLAIM**

(30) **Foreign Application Priority Data**

The ornamental design for a swivel pedestal and sink for washing hair, as shown and described.

Apr. 28, 2000 (JP) 2000-011573

DESCRIPTION

(51) **LOC (7) Cl.** **23-02**

FIG. 1 is a front view of a hair washer in accordance with my new design;

(52) **U.S. Cl.** **D23/289; D23/292; D28/20**

FIG. 2 is a back view thereof;

(58) **Field of Search** D23/270-274,

FIG. 3 is a left side view thereof;

D23/284-289, 292, 293.1, 303, 308; 4/619-627,

FIG. 4 is a right side view thereof;

638, 643-652, 660, 661, 515, 517-523;
D28/20

FIG. 5 is a top view thereof;

FIG. 6 is a bottom view thereof;

(56) **References Cited**

FIG. 7 is a left side elevation view showing an alternate position of use thereof;

U.S. PATENT DOCUMENTS

FIG. 8 is a side elevation view showing another alternate position of use thereof, with the sink extended to show the operation of three turning members; and,

D266,020 S * 8/1982 Mikiya et al. D23/270

FIG. 9 is an enlarged front right side perspective view thereof.

4,587,680 A * 5/1986 Brugger 4/519

D332,828 S * 1/1993 Schaerrer D23/284

5,289,597 A * 3/1994 Sidola 4/519

1 Claim, 5 Drawing Sheets

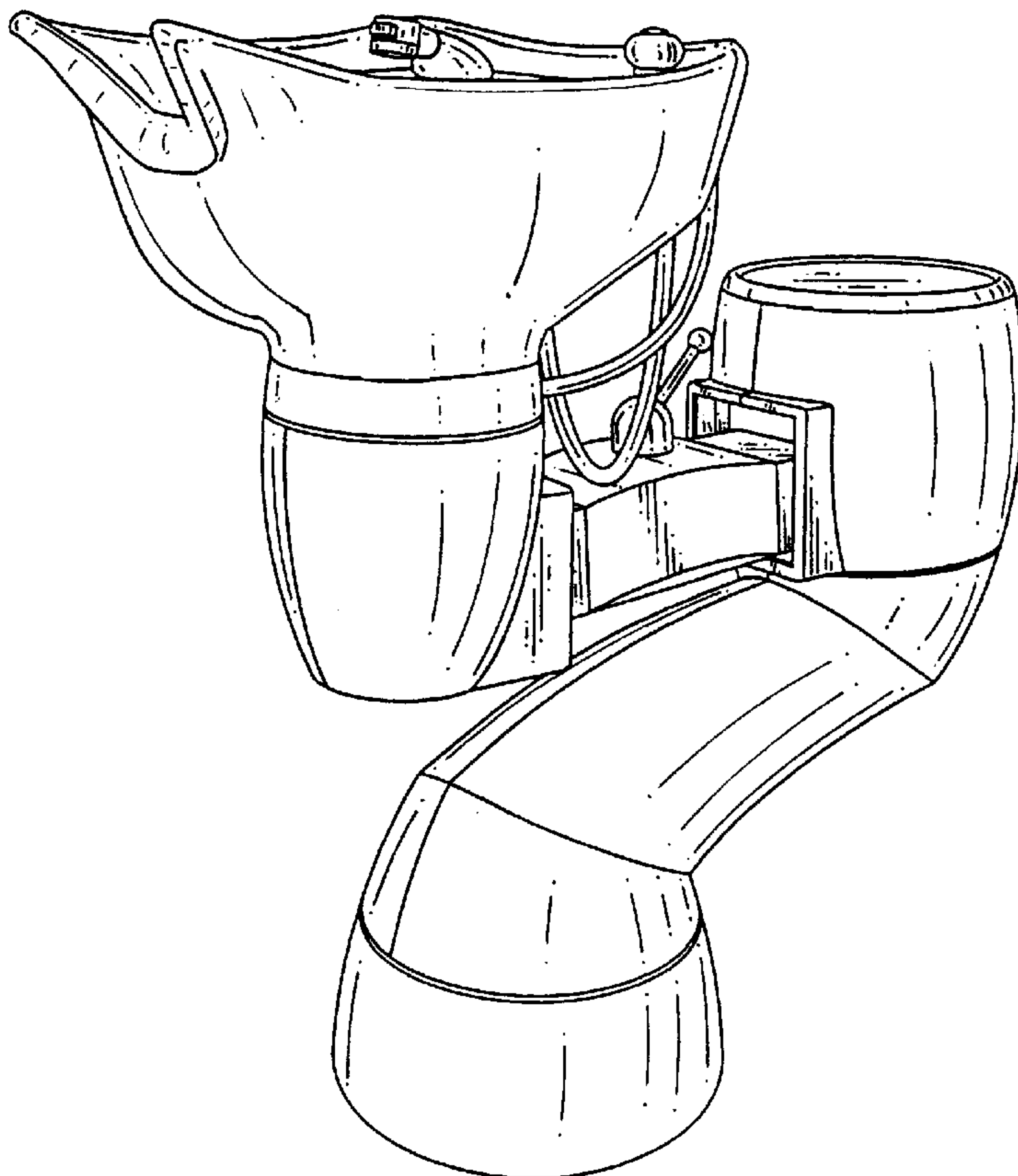


Fig.1

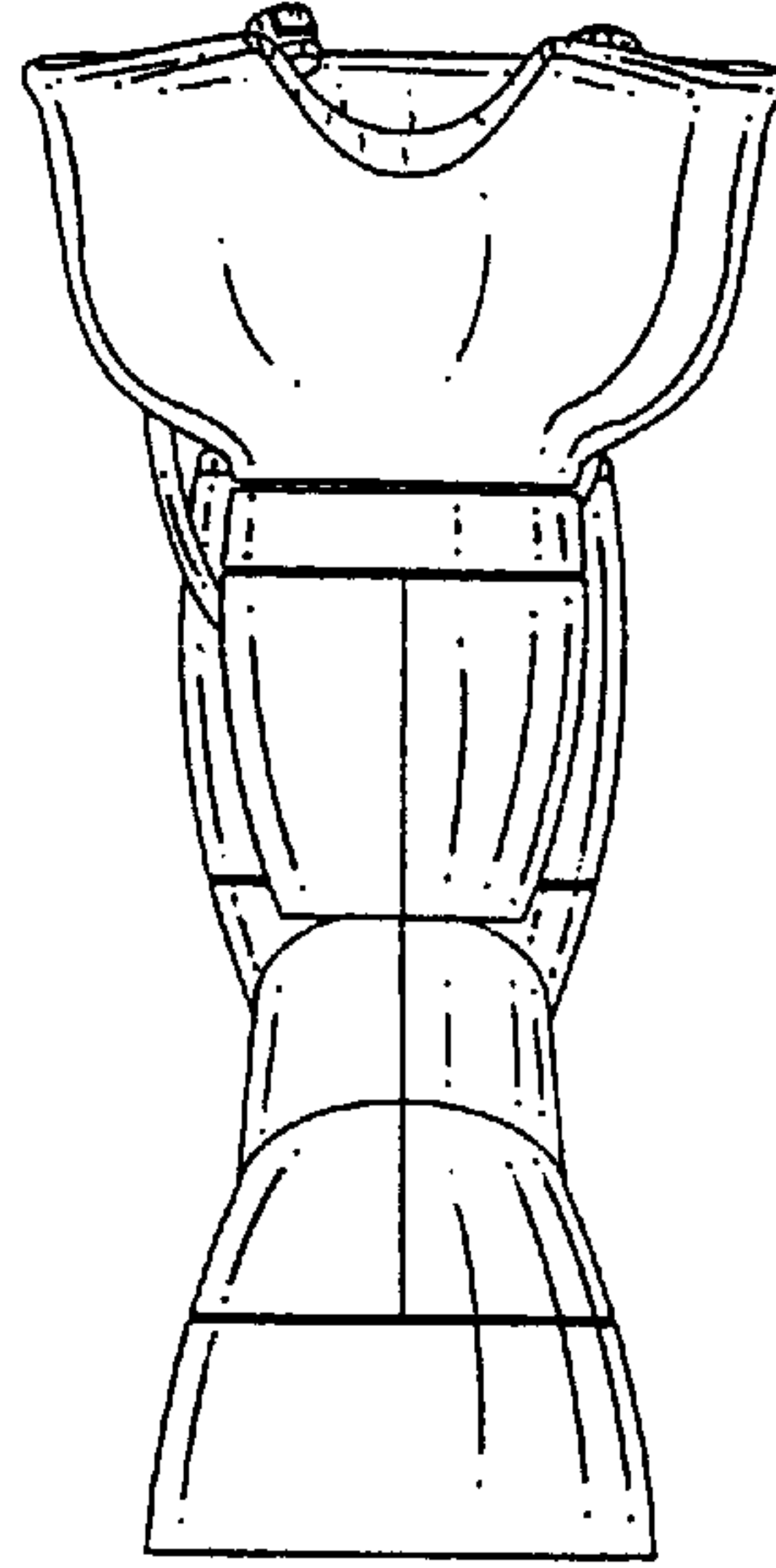


Fig.2

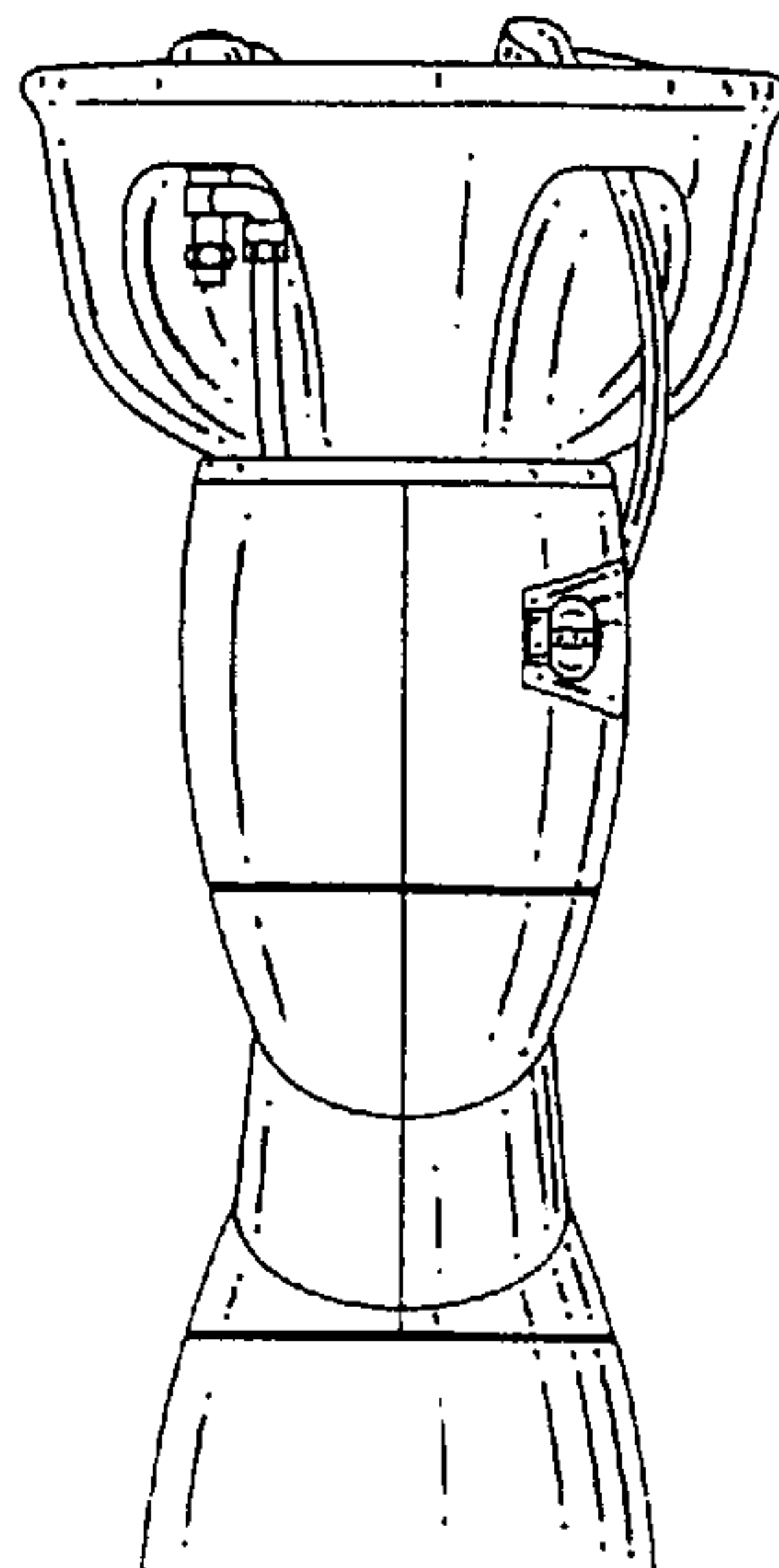


Fig.3

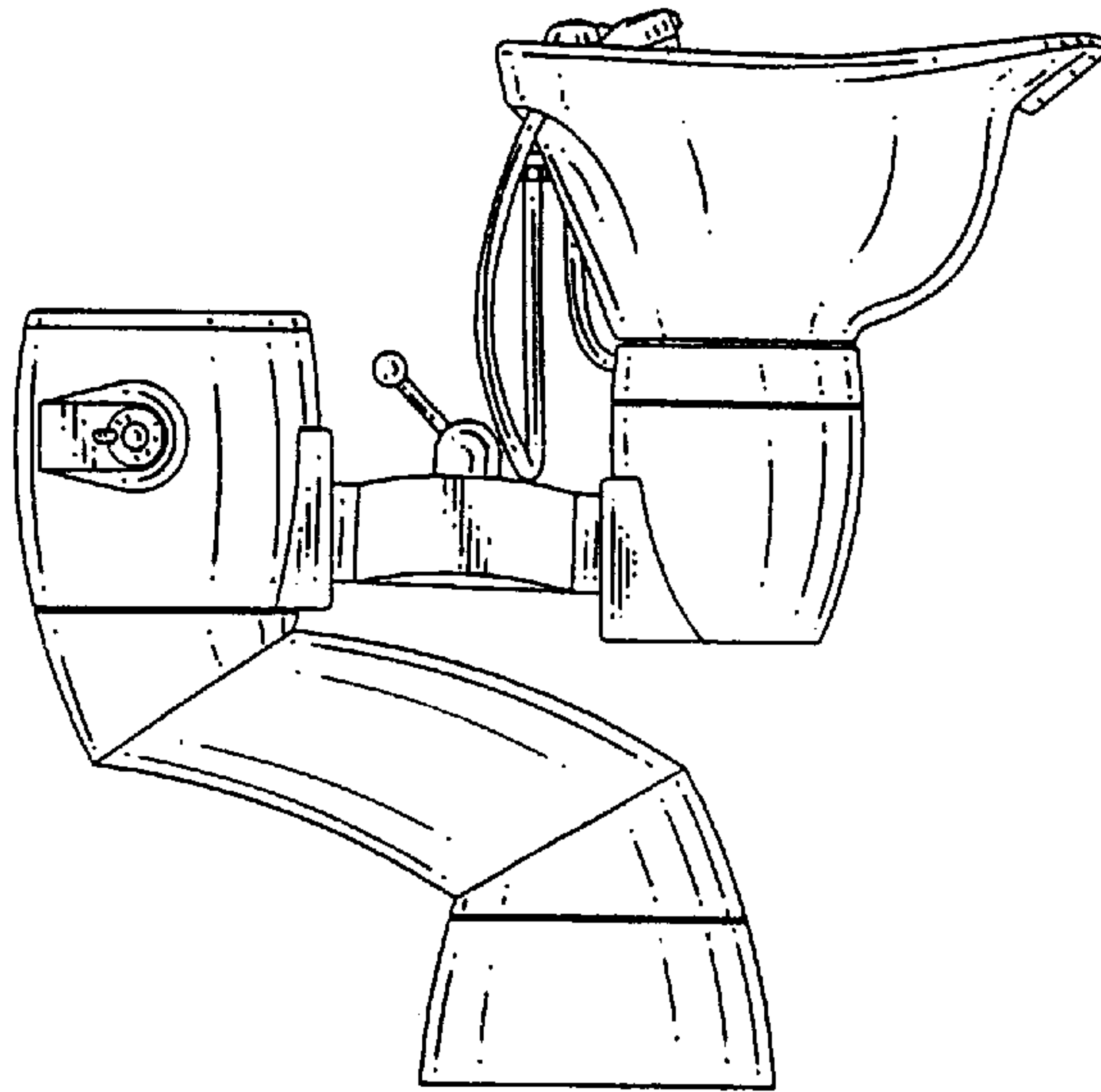


Fig.4

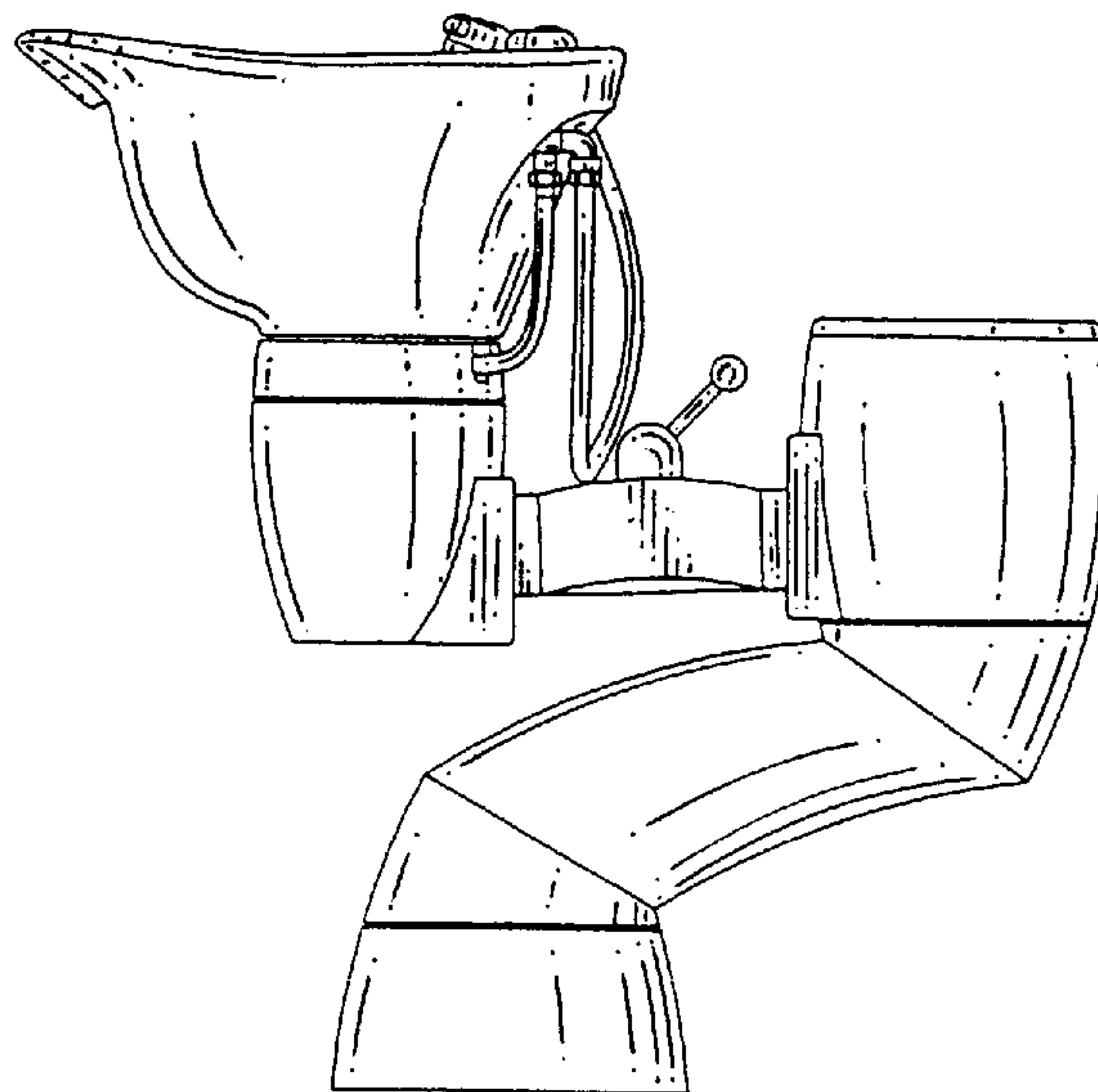


Fig.5

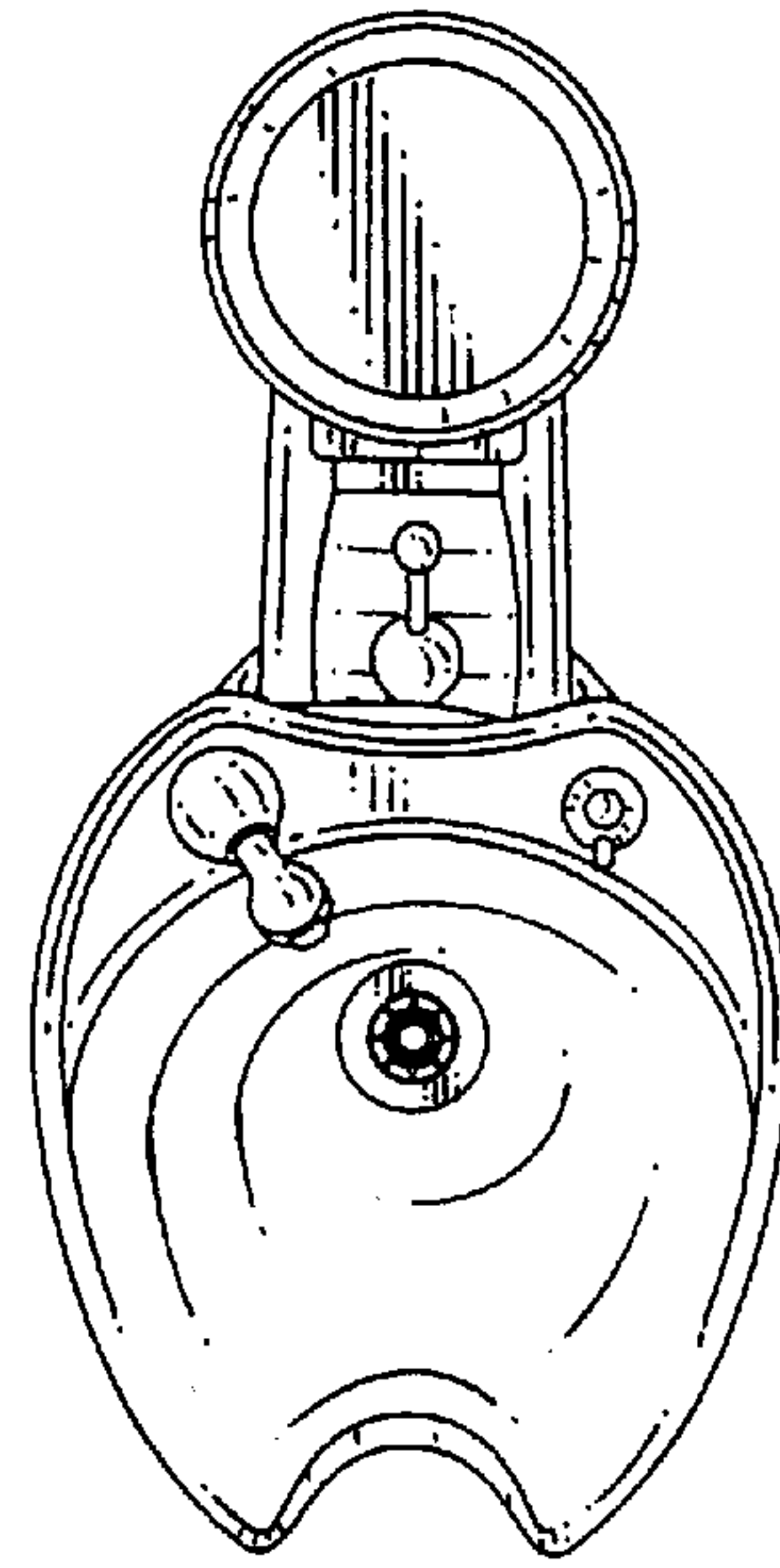


Fig.6

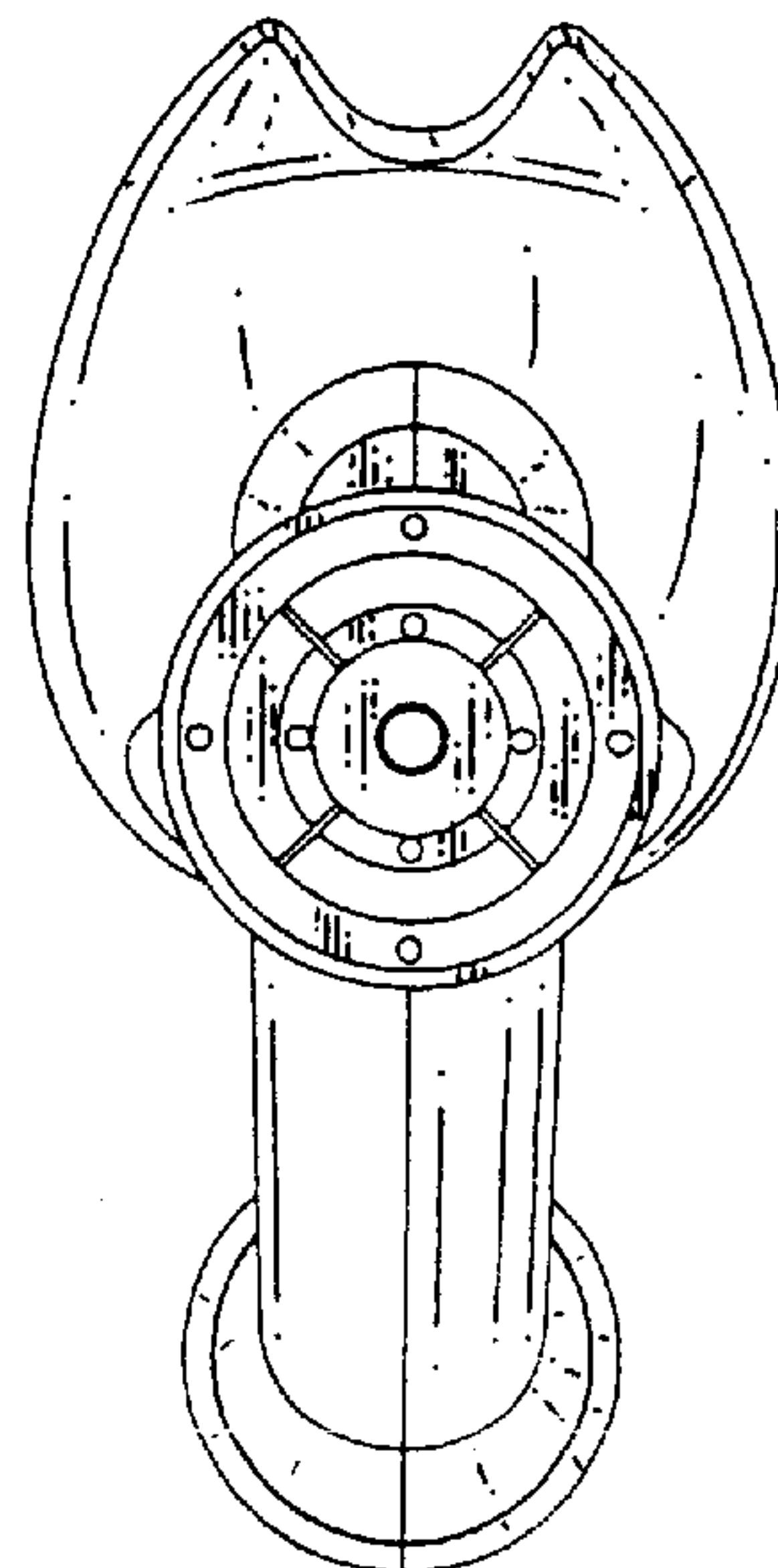


Fig.7

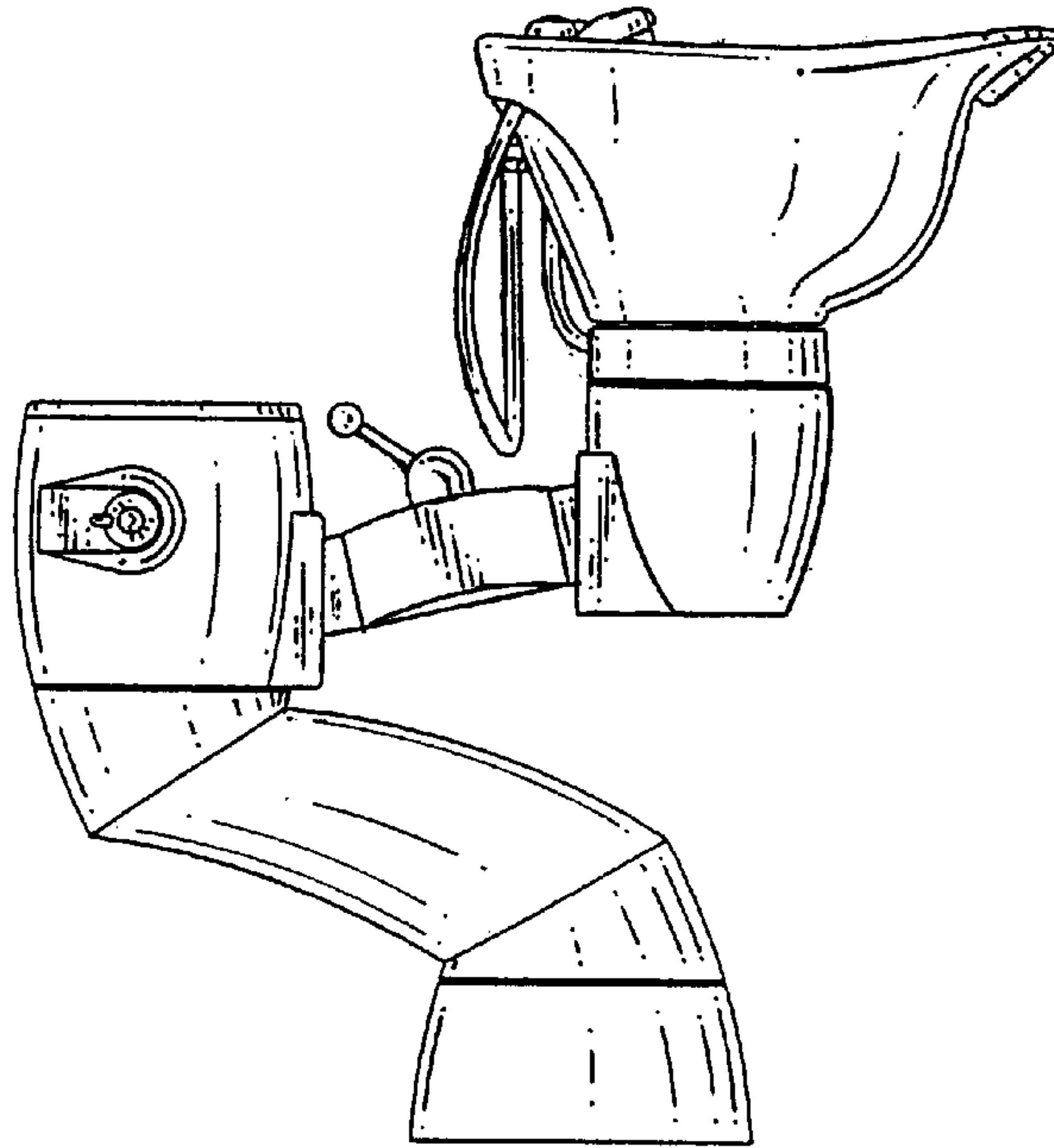


Fig.8

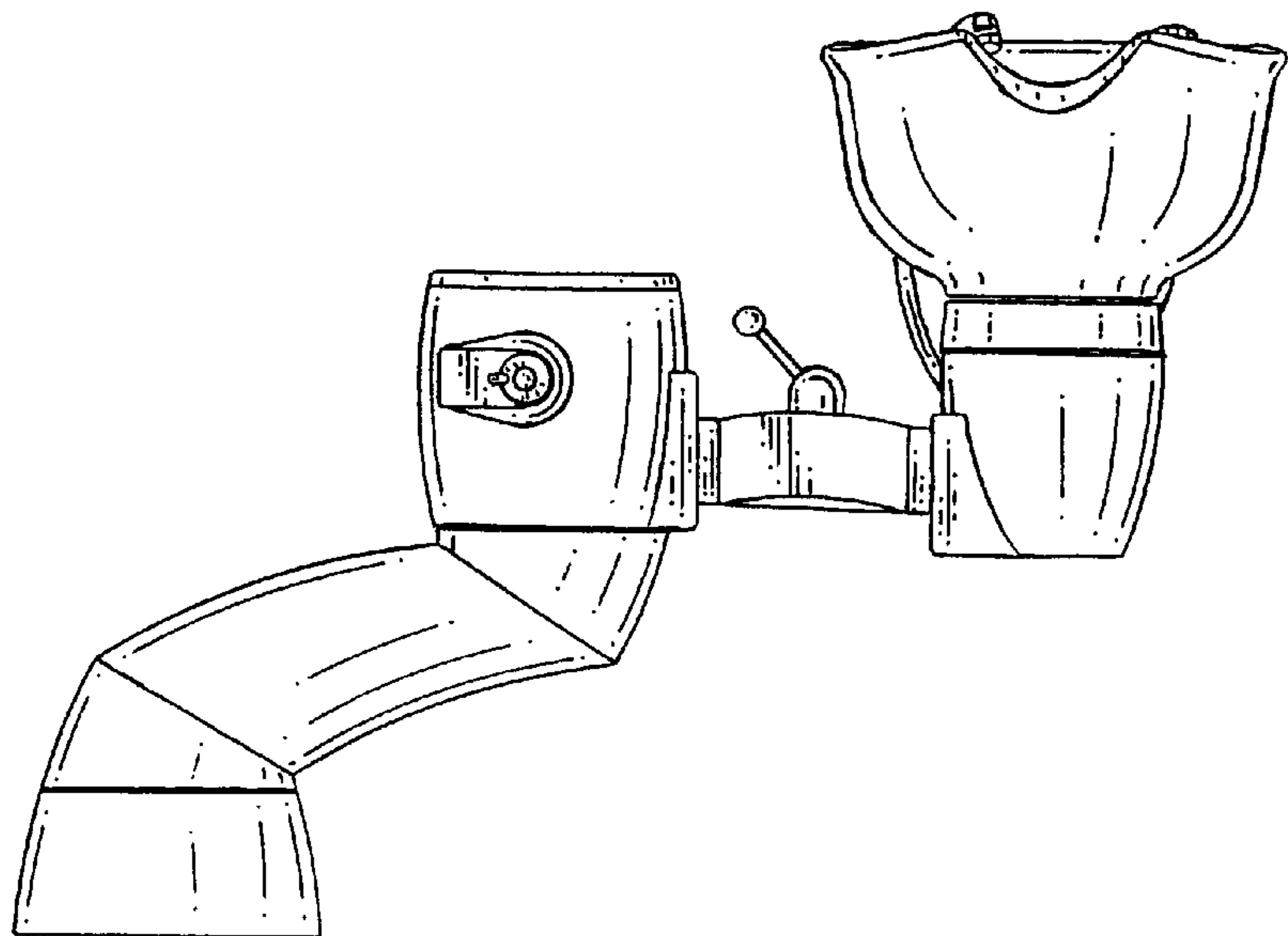
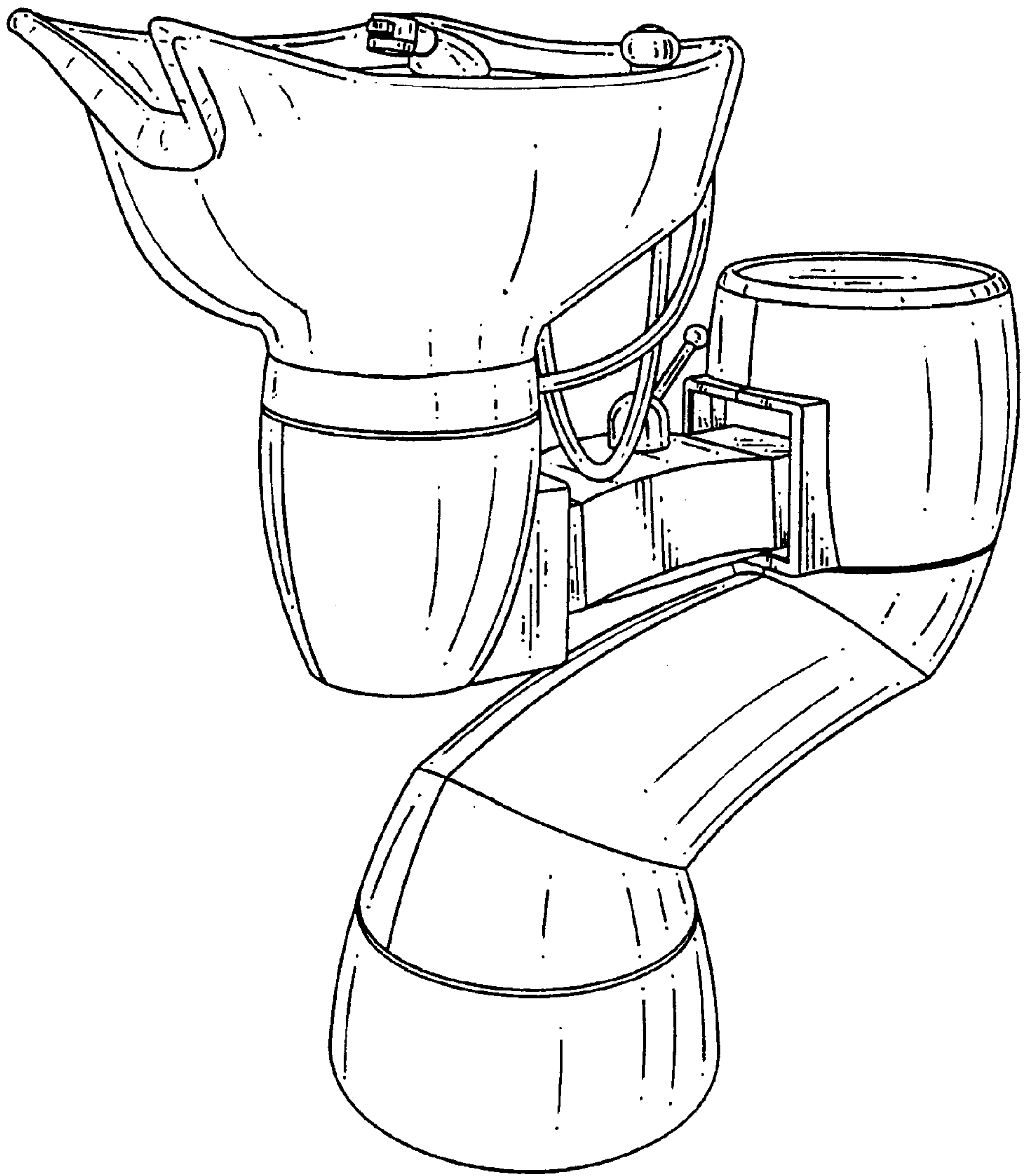


Fig.9



UNITED STATES PATENT AND TRADEMARK OFFICE
CERTIFICATE OF CORRECTION

PATENT NO. : Des. 459,450 S
DATED : June 25, 2002
INVENTOR(S) : Nobuyuki Minami

Page 1 of 1

It is certified that error appears in the above-identified patent and that said Letters Patent is hereby corrected as shown below:

Title page,

Item [56], **References Cited**, please add

-- FOREIGN PATENT DOCUMENTS


TW 467495 12/2001

OTHER PUBLICATIONS

Brochure showing "Contura Swing" entitled "*Contura Per IL Parrucchiere Al Cosmoprof 2000*" issued by Serafini Group. 2000 --

Signed and Sealed this

Third Day of December, 2002

A handwritten signature in black ink, appearing to read "James E. Rogan", written over a horizontal line.

JAMES E. ROGAN

Director of the United States Patent and Trademark Office