



US00D459448S

(12) **United States Design Patent**
Minami

(10) **Patent No.:** **US D459,448 S**
(45) **Date of Patent:** **** Jun. 25, 2002**

(54) **CHAIR SUPPORT AND PEDESTAL SINK FOR WASHING HAIR**

(75) Inventor: **Nobuyuki Minami**, Osaka (JP)
(73) Assignee: **Oohiro Works, Ltd.**, Osaka (JP)
(**) Term: **14 Years**

(21) Appl. No.: **29/131,274**
(22) Filed: **Oct. 18, 2000**

(30) **Foreign Application Priority Data**

Apr. 28, 2000 (JP) 2000-011504

(51) **LOC (7) Cl.** **23-02**
(52) **U.S. Cl.** **D23/289; D28/20; D6/335**
(58) **Field of Search** **D23/210-274, D23/284-289, 292, 293.1, 303, 308; 4/619-627, 638, 643-652, 660, 661, 515, 518-523; D6/335-336; D28/20**

(56) **References Cited**

U.S. PATENT DOCUMENTS

3,292,186	A	*	12/1966	Turmenne et al.	4/519
D266,020	S	*	8/1982	Mikiya et al.	D23/270
4,587,680	A	*	5/1986	Brugger	4/519
D332,828	S	*	1/1993	Schaerrer	D23/284
D333,343	S	*	2/1993	Farchione	D28/20
D335,398	S	*	5/1993	Heidmann	D6/366
5,289,597	A	*	3/1994	Sidola	4/519
6,016,578	A	*	1/2000	Malouf	4/619
6,170,096	B1	*	1/2001	Rasmussen	4/519
D447,351	S	*	9/2001	Sato	D6/366

OTHER PUBLICATIONS

“Catalogue 1999 CastinG” by Comar.

* cited by examiner

Primary Examiner—Louis S. Zarfaz
Assistant Examiner—Robert A. Delehanty

(74) *Attorney, Agent, or Firm*—Burr & Brown

(57) **CLAIM**

The ornamental design for a chair support and pedestal sink for washing hair, as shown and described.

DESCRIPTION

FIG. 1 is a front elevation view of a chair support and pedestal sink in accordance with my new design; FIG. 2 is a back elevation view showing the chair support and pedestal sink thereof; FIG. 3 is a left side elevation view showing the chair support and pedestal sink thereof; FIG. 4 is a right side elevation view showing the chair support and pedestal sink thereof; FIG. 5 is a top plan view showing the chair support and pedestal sink thereof; FIG. 6 is a bottom plan view showing the chair support and pedestal sink thereof; FIG. 7 is a right back perspective view showing the chair support and pedestal sink in an environment of use; and, FIG. 8 is a right back perspective view showing the chair support and pedestal sink thereof.

The broken line showing of a chair in FIG. 7 is for illustrative purposes only and forms no part of the claimed design.

1 Claim, 5 Drawing Sheets

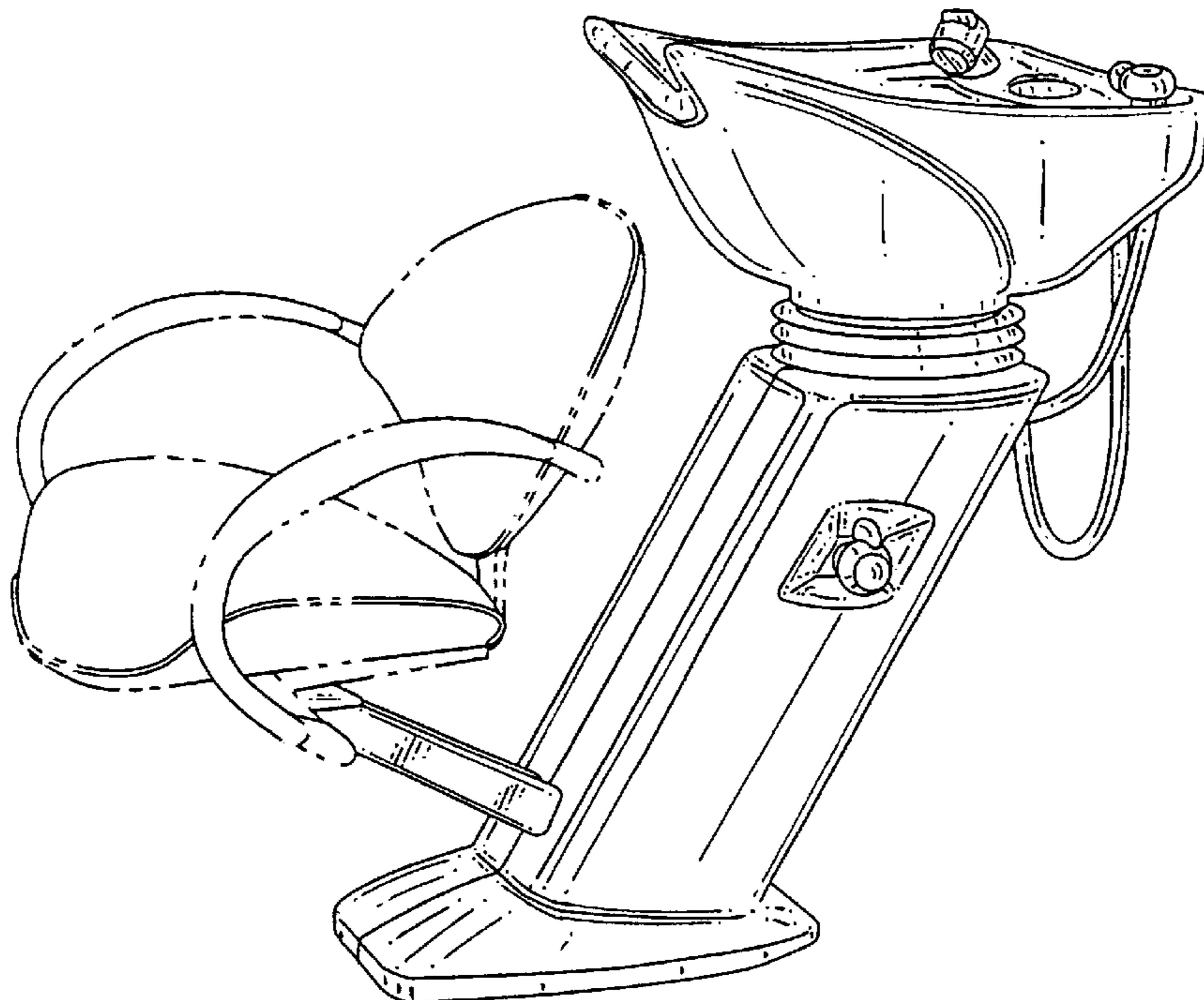


Fig.1

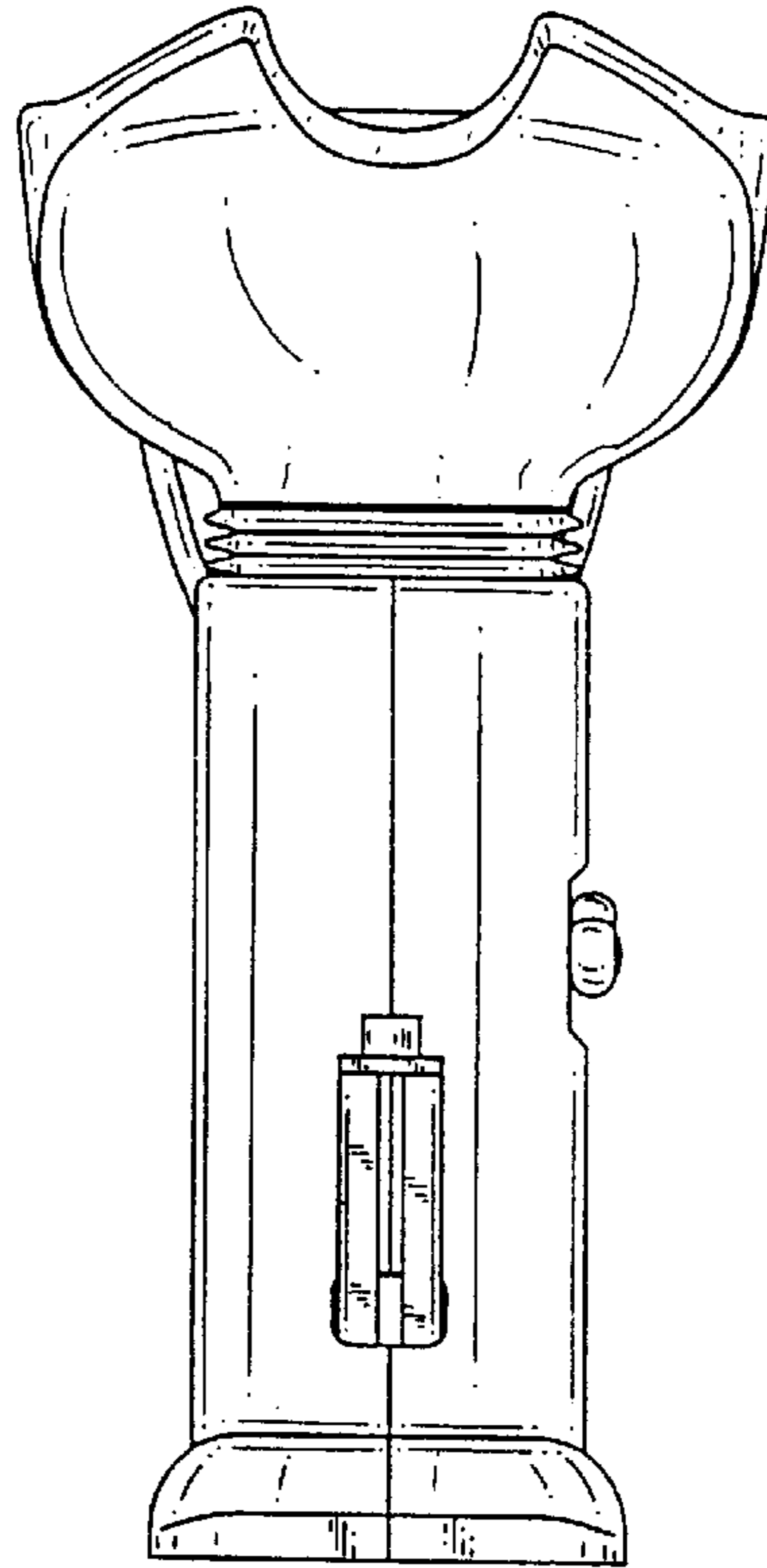


Fig.2

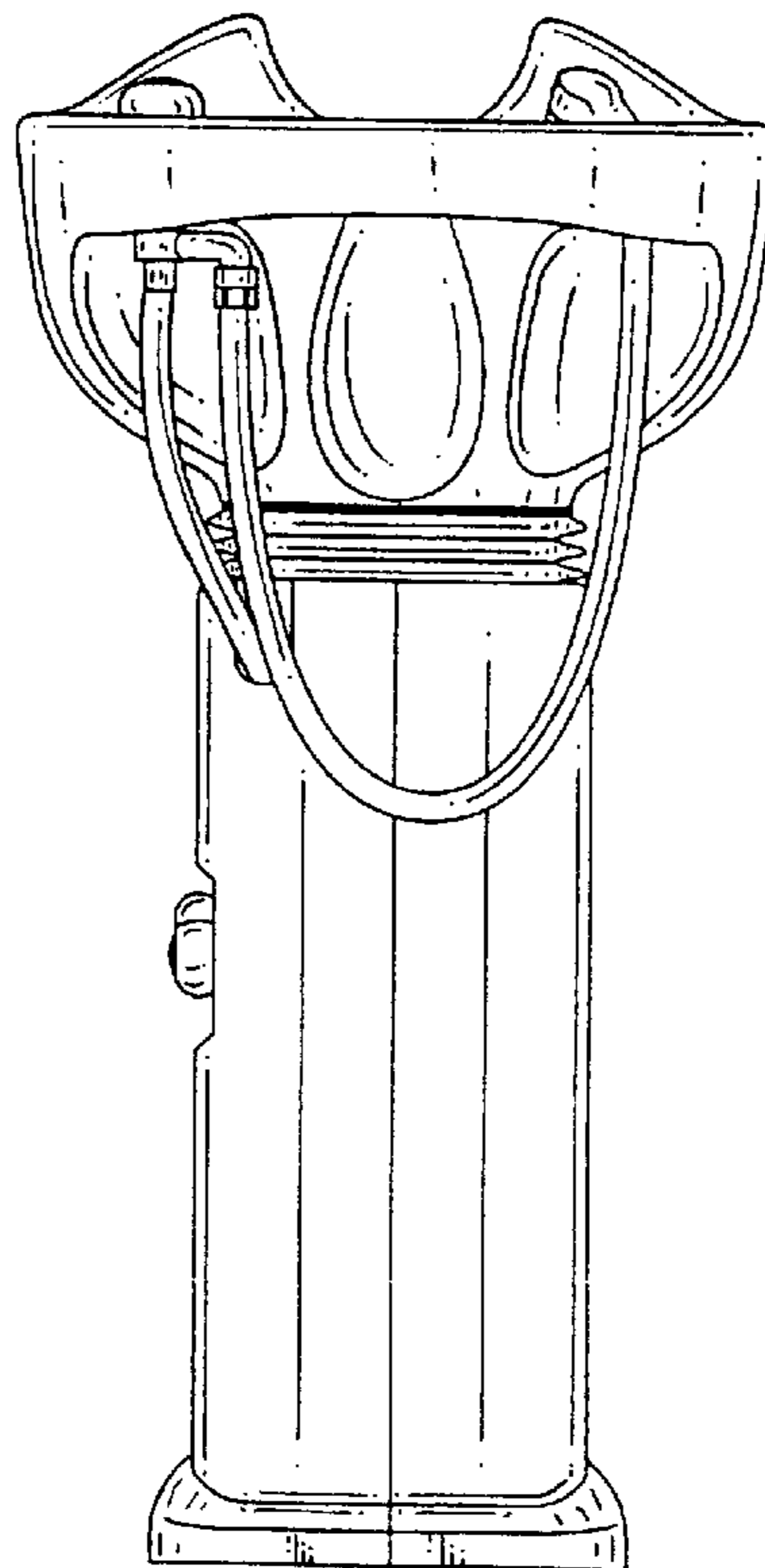


Fig.3

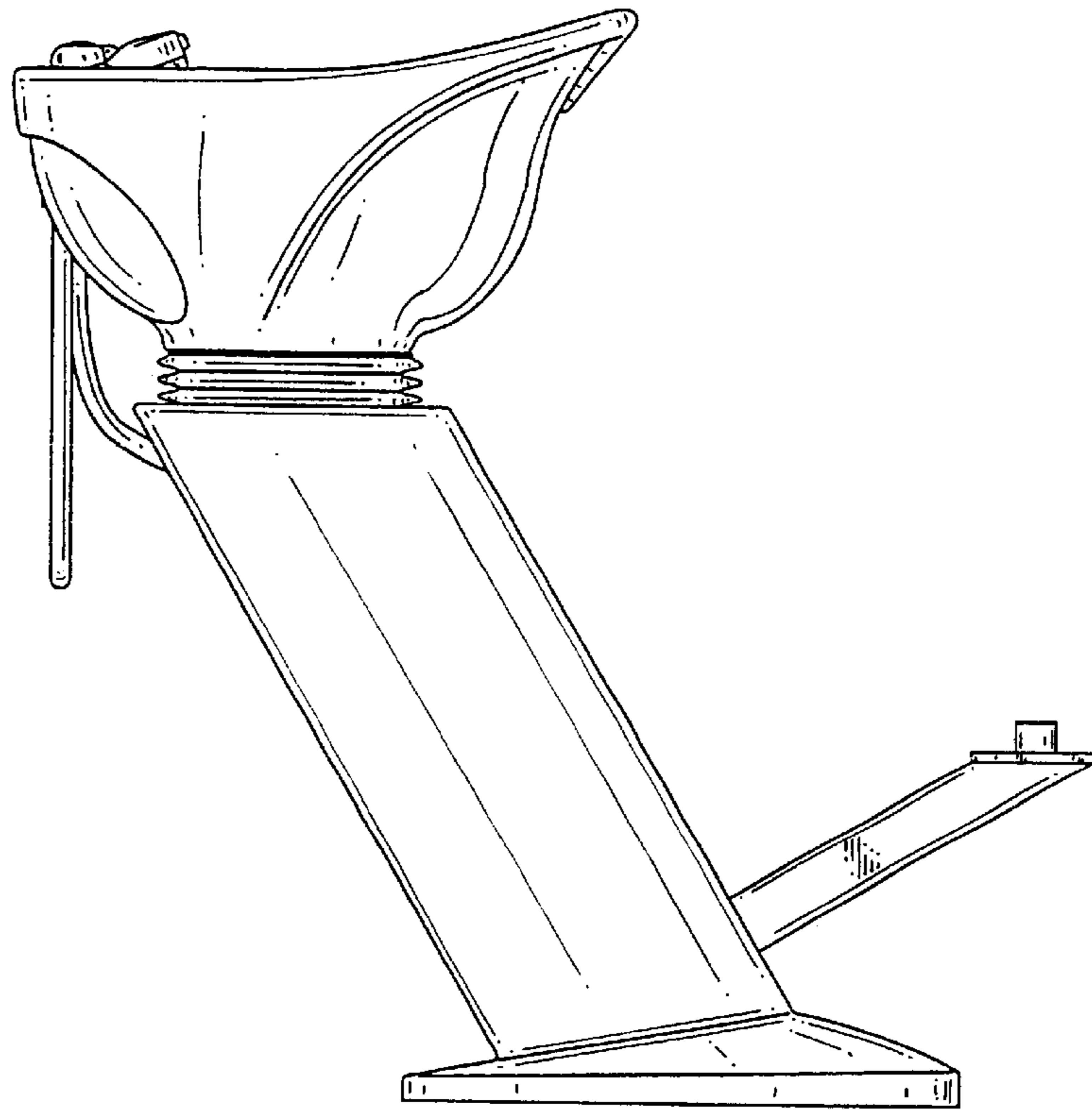


Fig.4

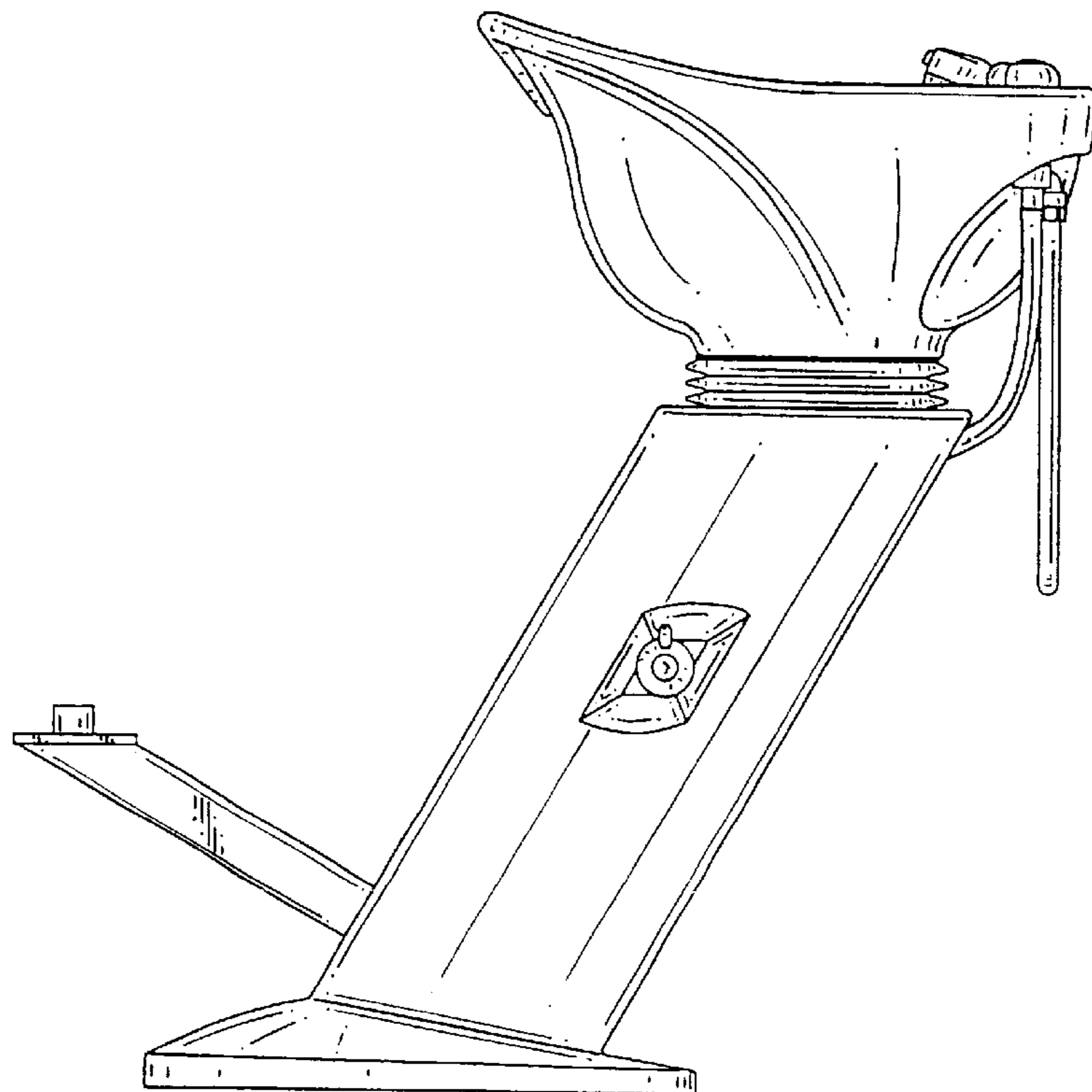


Fig.5

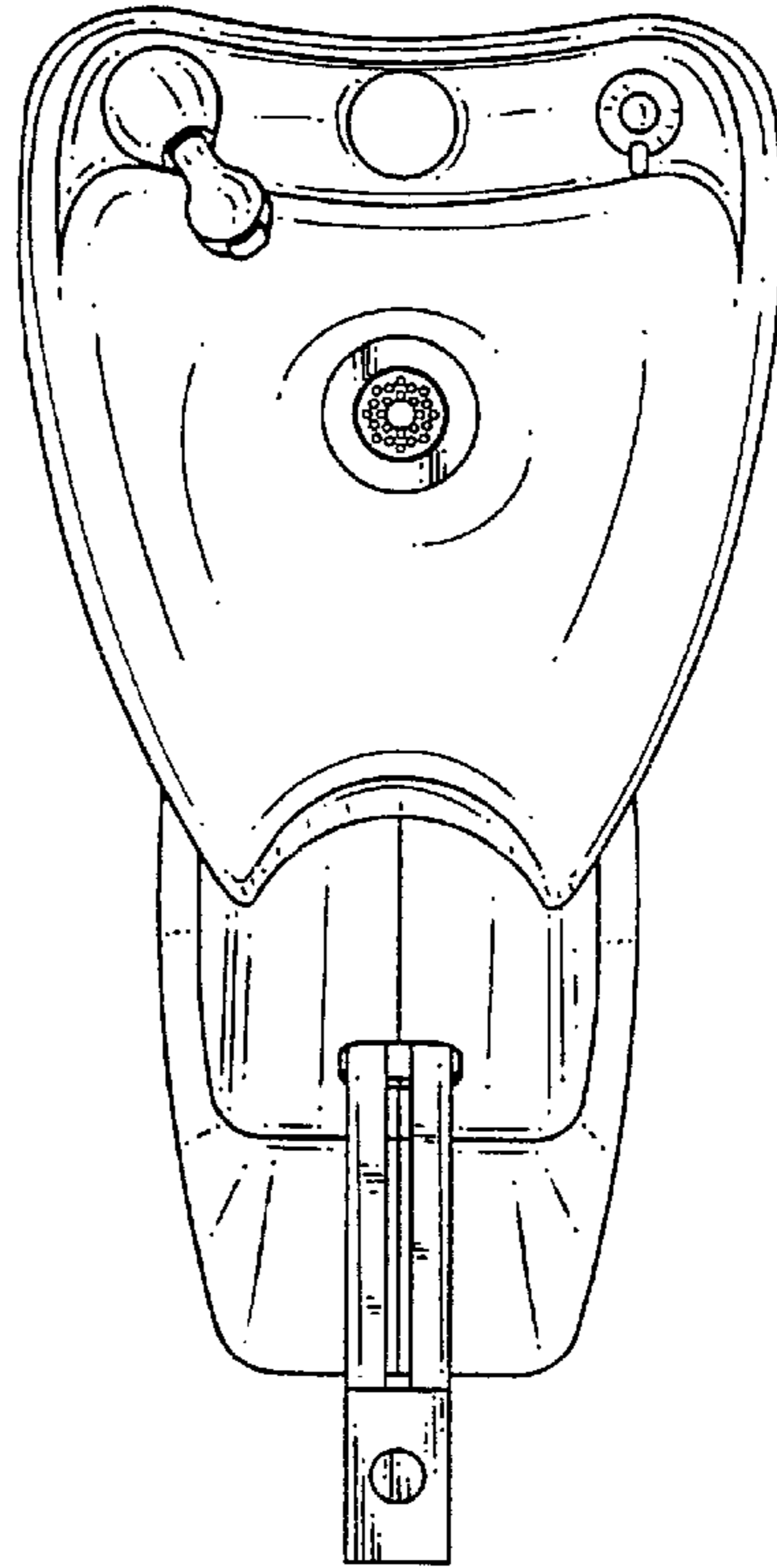


Fig.6

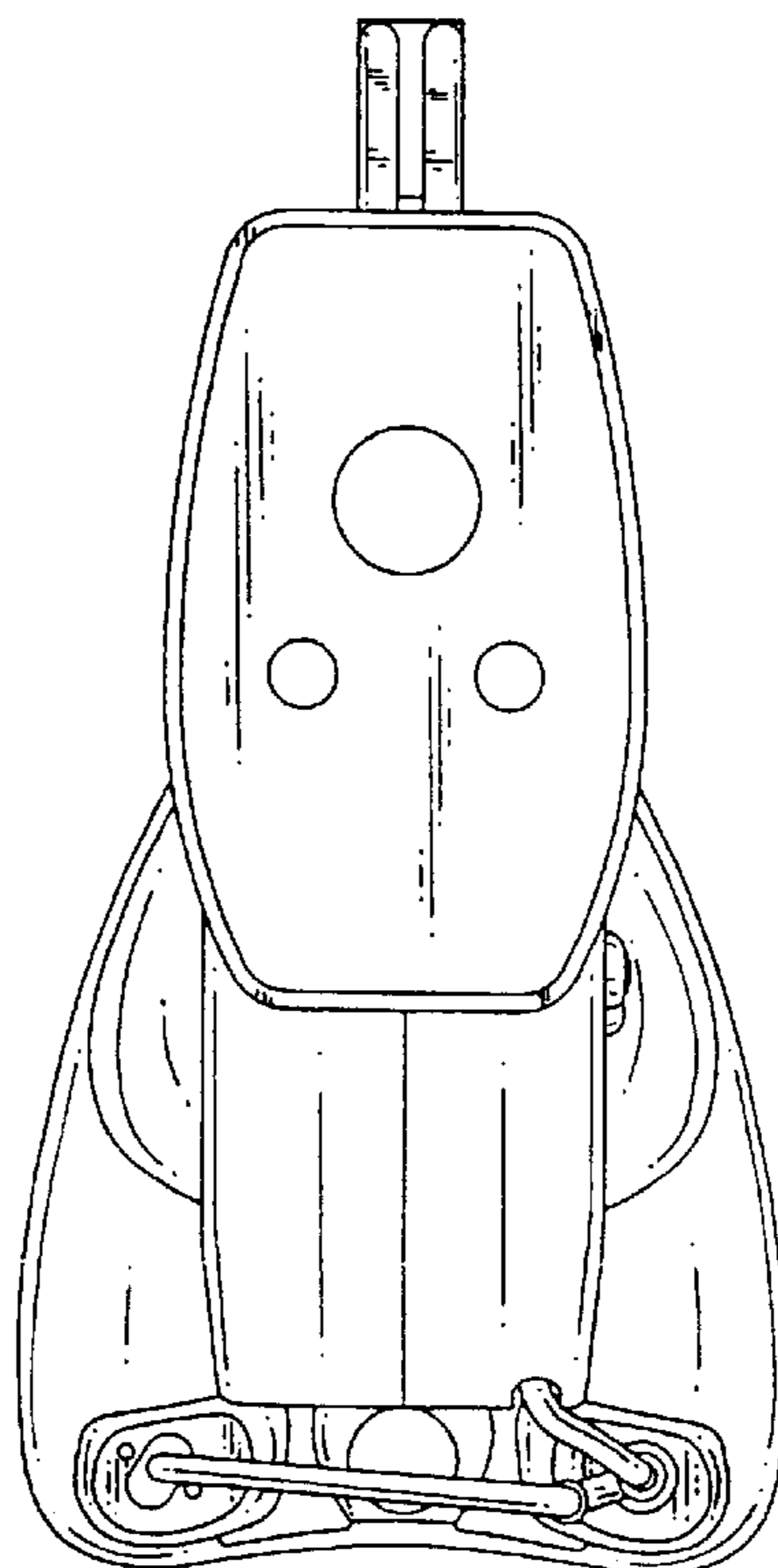


Fig.7

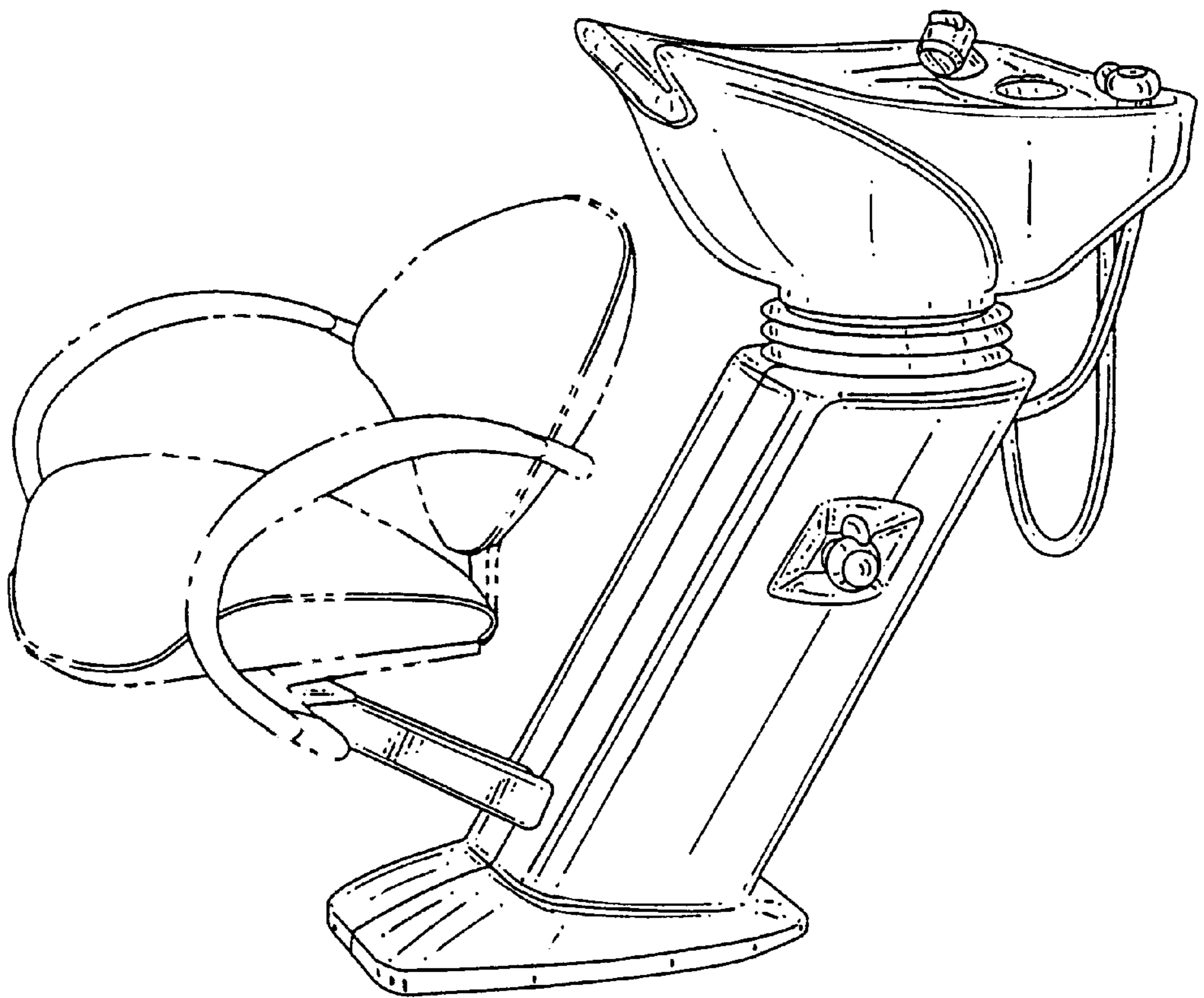


Fig. 8

