

US00D459447S

(12) **United States Design Patent**
Thomas

(10) **Patent No.:** **US D459,447 S**

(45) **Date of Patent:** **** Jun. 25, 2002**

(54) **TUB FOR BATHING**

(75) Inventor: **Carter J. Thomas**, Cedarburg, WI (US)

(73) Assignee: **Kohler Co.**, Kohler, WI (US)

(**) Term: **14 Years**

(21) Appl. No.: **29/131,340**

(22) Filed: **Oct. 18, 2000**

(51) **LOC (7) Cl.** **23-02**

(52) **U.S. Cl.** **D23/280.1; D23/289**

(58) **Field of Search** **D23/277-279,**
D23/280.1, 280.3, 304; 4/538, 546, 548,
574.1

(56) **References Cited**

U.S. PATENT DOCUMENTS

D60,266 S	*	1/1922	Sandegren	D23/280.1
2,122,245 A	*	6/1938	Callahan	D23/277 X
D160,472 S	*	10/1950	Chaffin	D23/280.3
D250,827 S	*	1/1979	Clement	D23/280.1
D346,434 S	*	4/1994	Hunger et al.	D23/280.3

OTHER PUBLICATIONS

Undated Jacob Delafon catalog ad showing a “Djerba” bath.
Undated Kohler catalog ad, p. 10.15, showing a “Whitecap”
footbath.
Web page, supplier unknown, showing a #800235 whirlpool
foot massager, date unknown.

Web page, supplier unknown, showing a “Bubble Bliss” foot
bath, date unknown.

* cited by examiner

Primary Examiner—Louis S. Zarfaz

Assistant Examiner—Robert A. Delehanty

(74) *Attorney, Agent, or Firm*—Quarles & Brady LLP

(57) **CLAIM**

The ornamental design for a tub for bathing, as shown and
described.

DESCRIPTION

In a preferred embodiment, the nature of this product is as
a plumbing fixture primarily useful for washing and/or
soaking the feet of humans.

FIG. 1 is a left, top, front perspective view of a tub for
bathing embodying my new design;

FIG. 2 is a right, top, rear perspective view thereof;

FIG. 3 is an enlarged top plan view thereof;

FIG. 4 is an enlarged left side elevational view thereof, the
right side elevational view being a mirror image of the left
side show;

FIG. 5 is an enlarged front elevational view thereof;

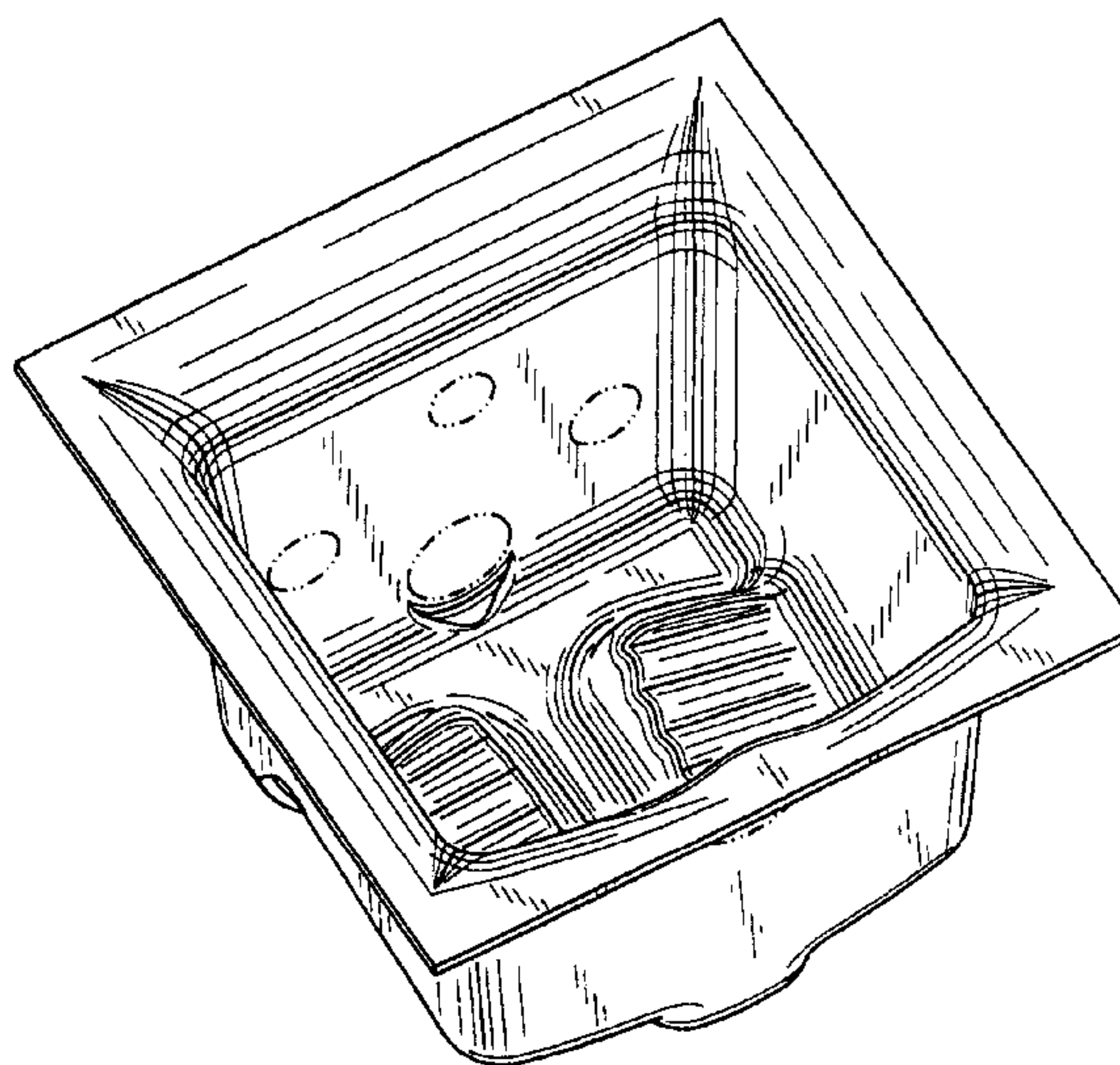
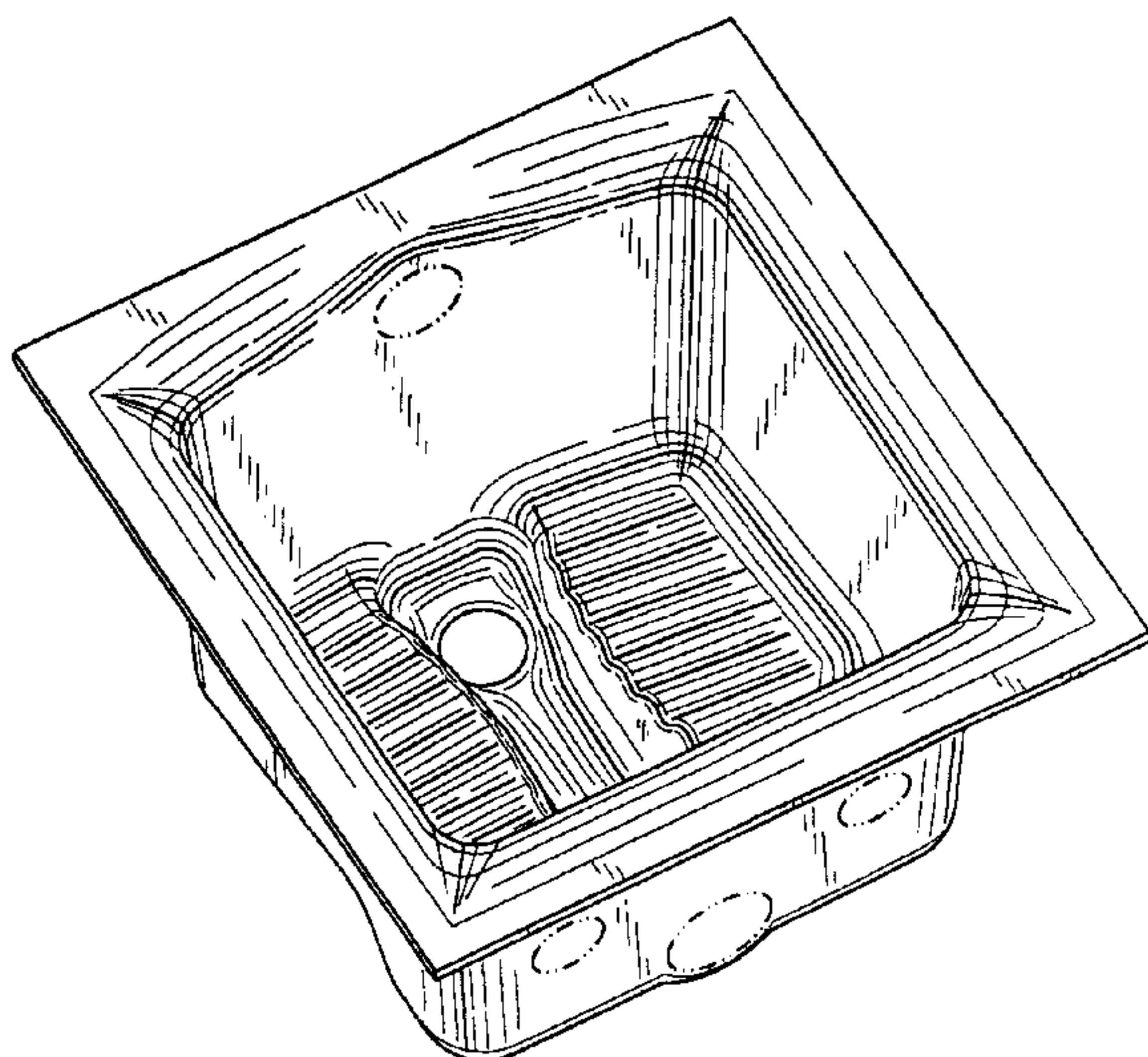
FIG. 6 is an enlarged rear elevational view thereof;

FIG. 7 is an enlarged cross-sectional view thereof taken
along line 7—7 of FIG. 3; and,

FIG. 8 is an enlarged cross-sectional view thereof taken
along line 8—8 of FIG. 3.

The broken line representations of holes in FIGS. 1-3, 5-6,
and 8 are for the purpose of illustration only, and form no
part of the claimed design.

1 Claim, 5 Drawing Sheets



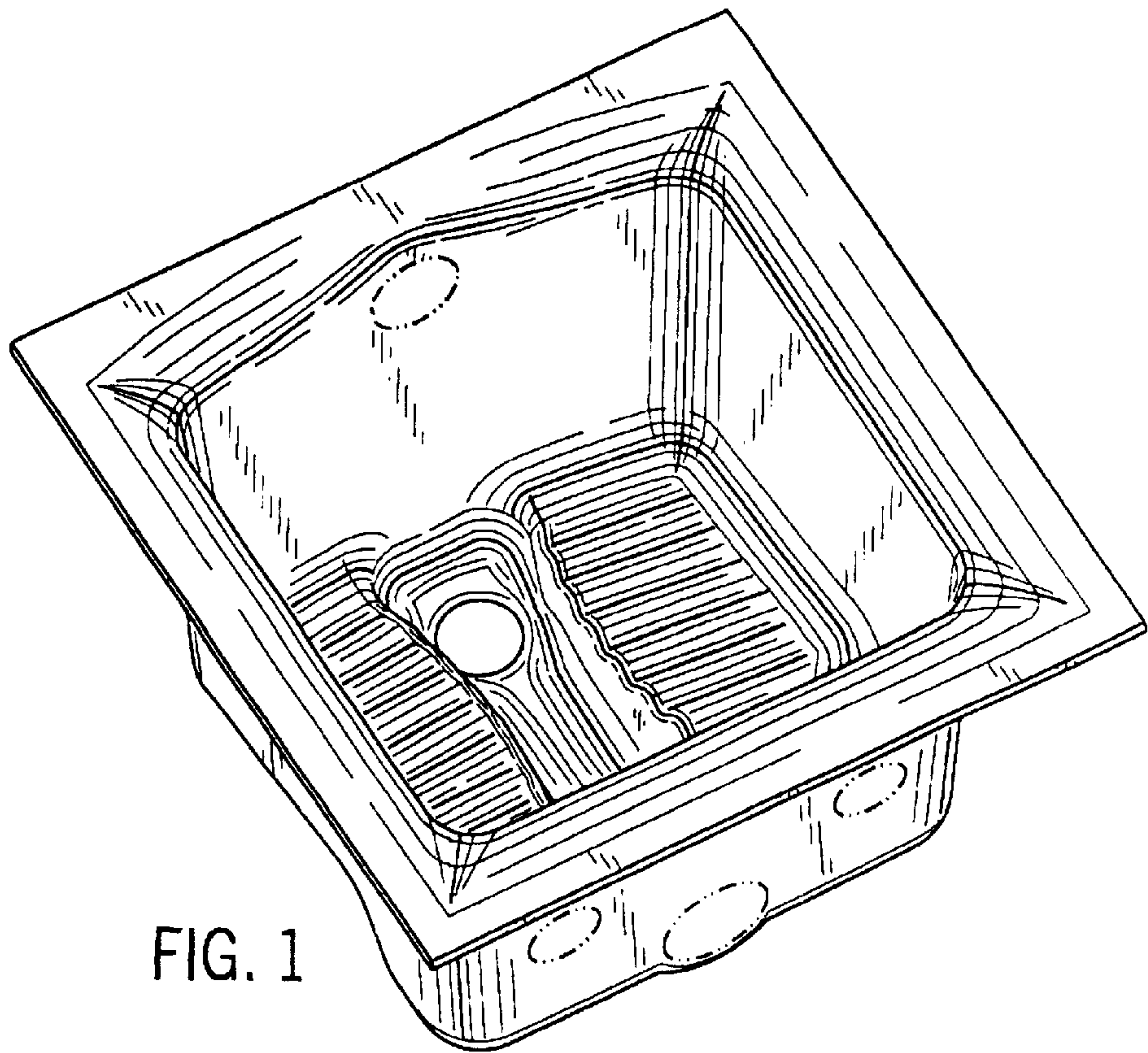


FIG. 1

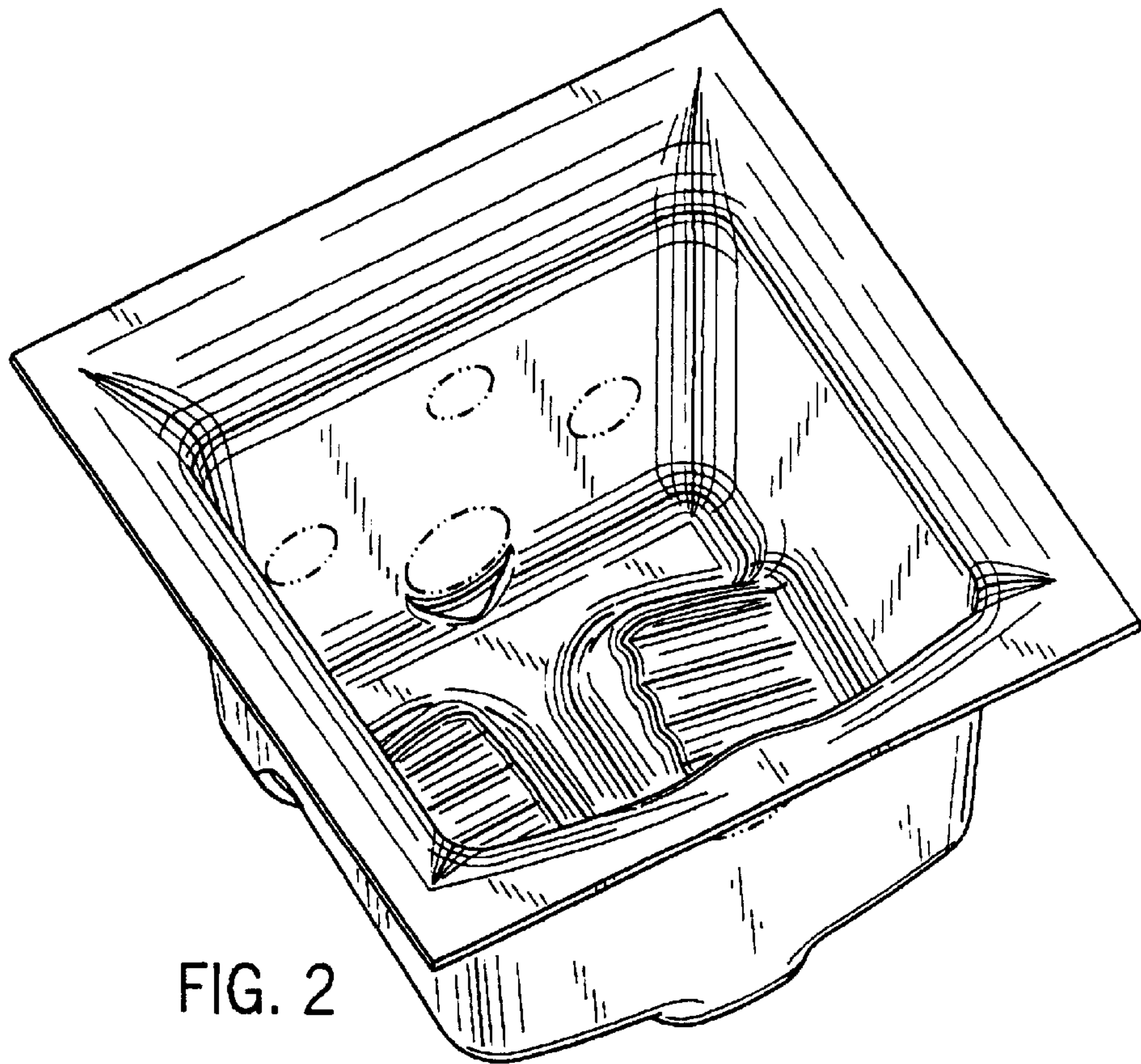


FIG. 2

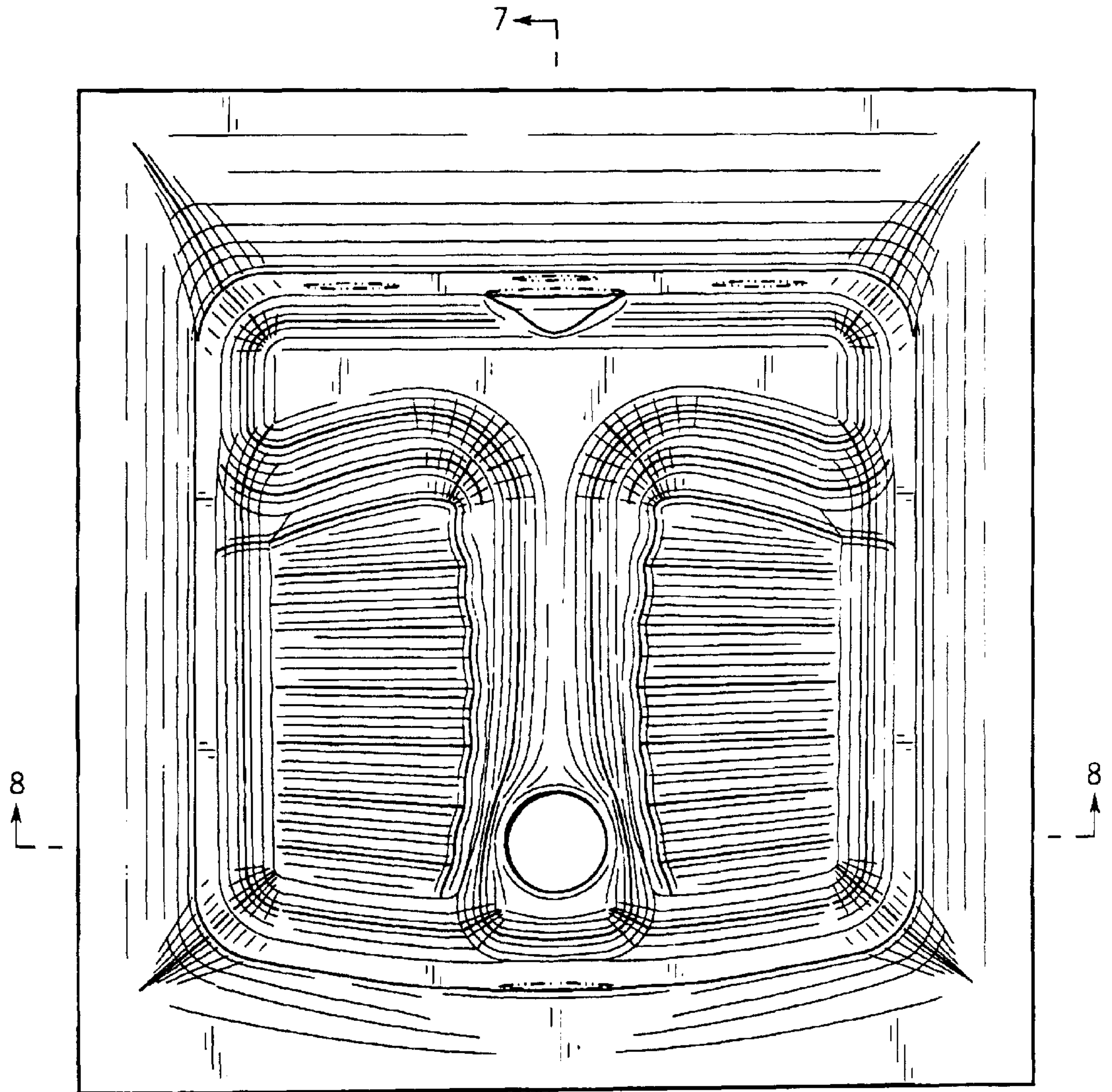
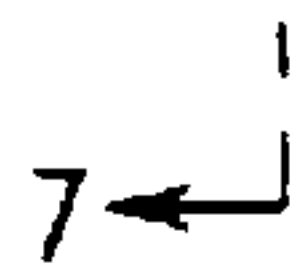


FIG. 3



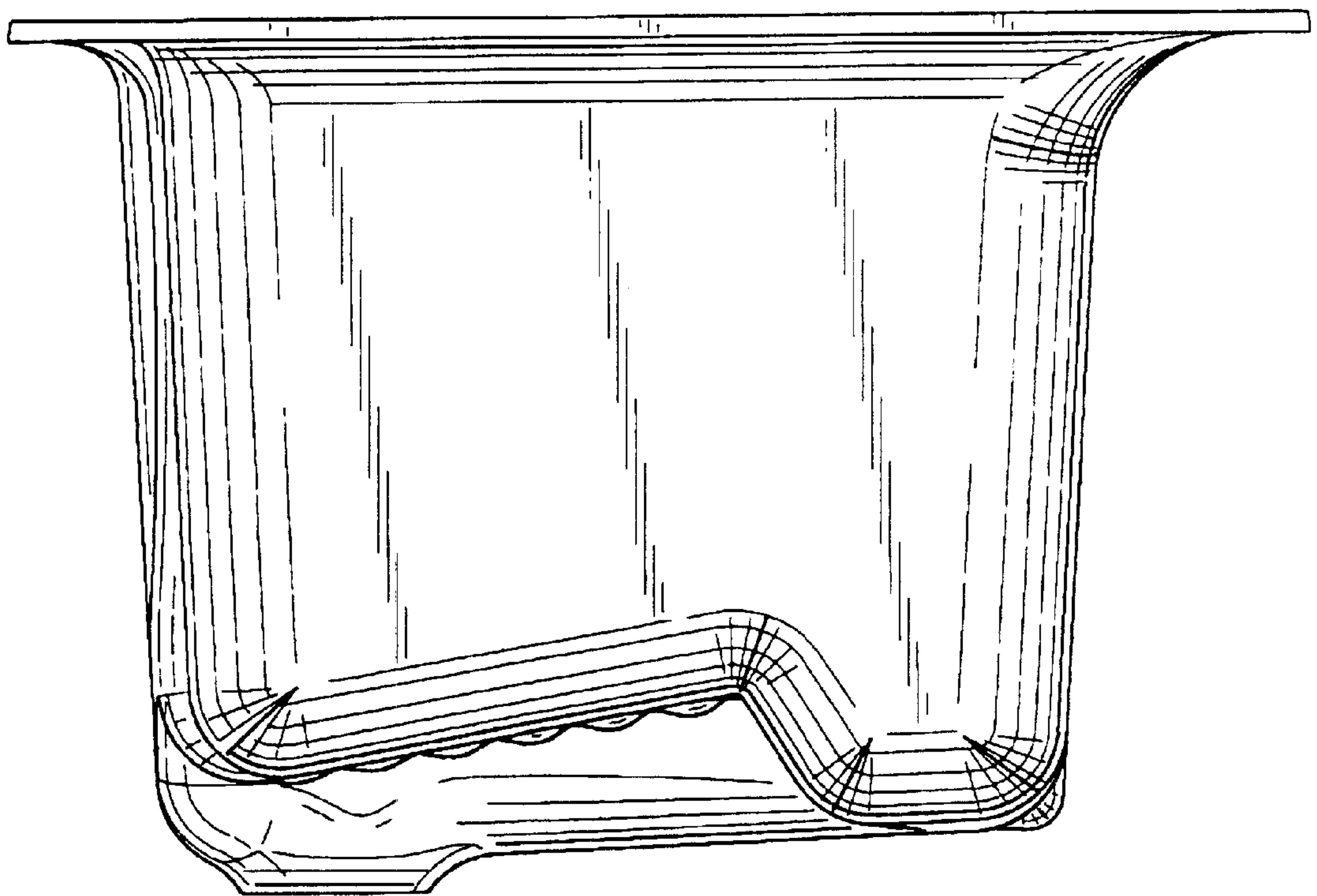


FIG. 4

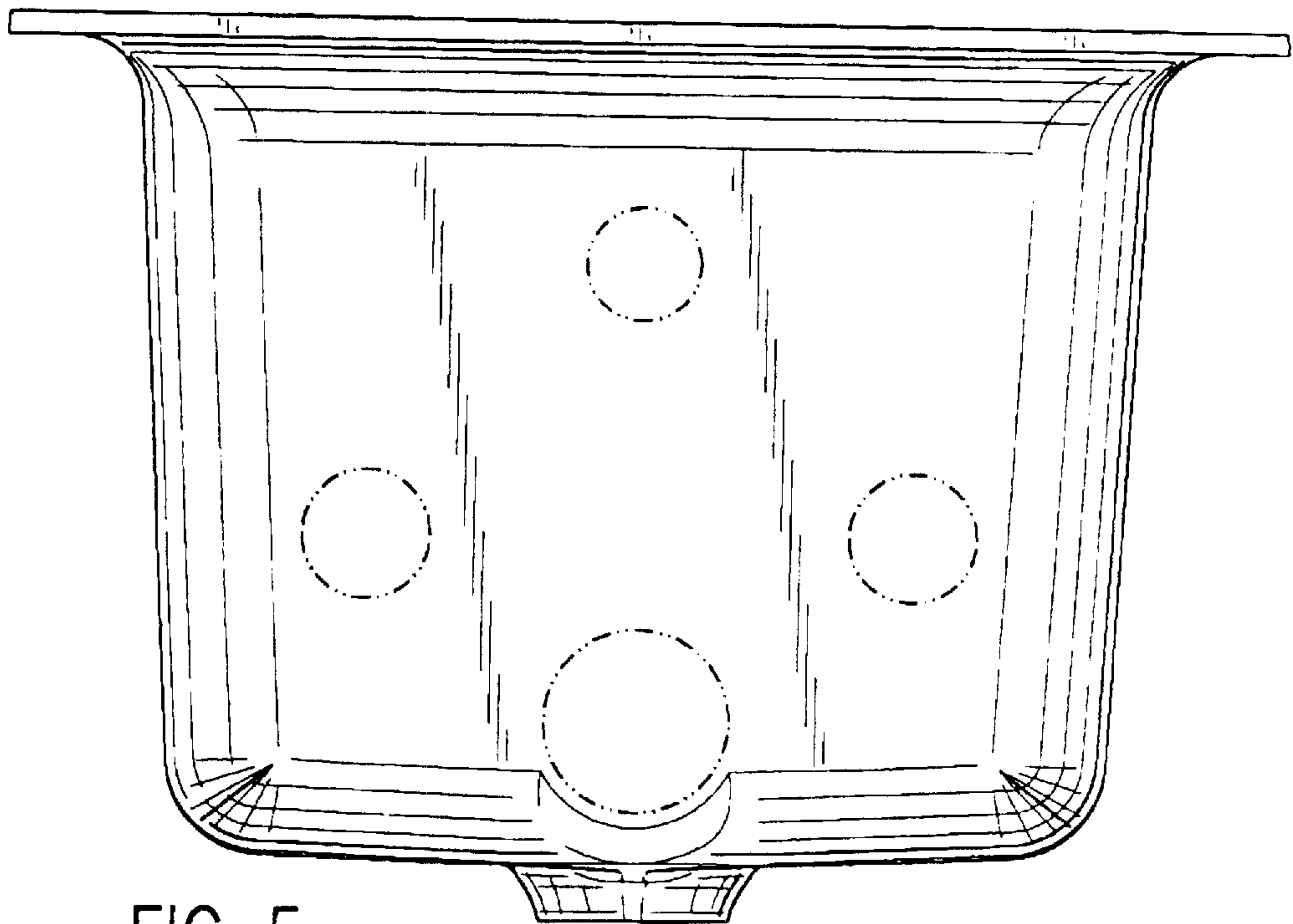


FIG. 5

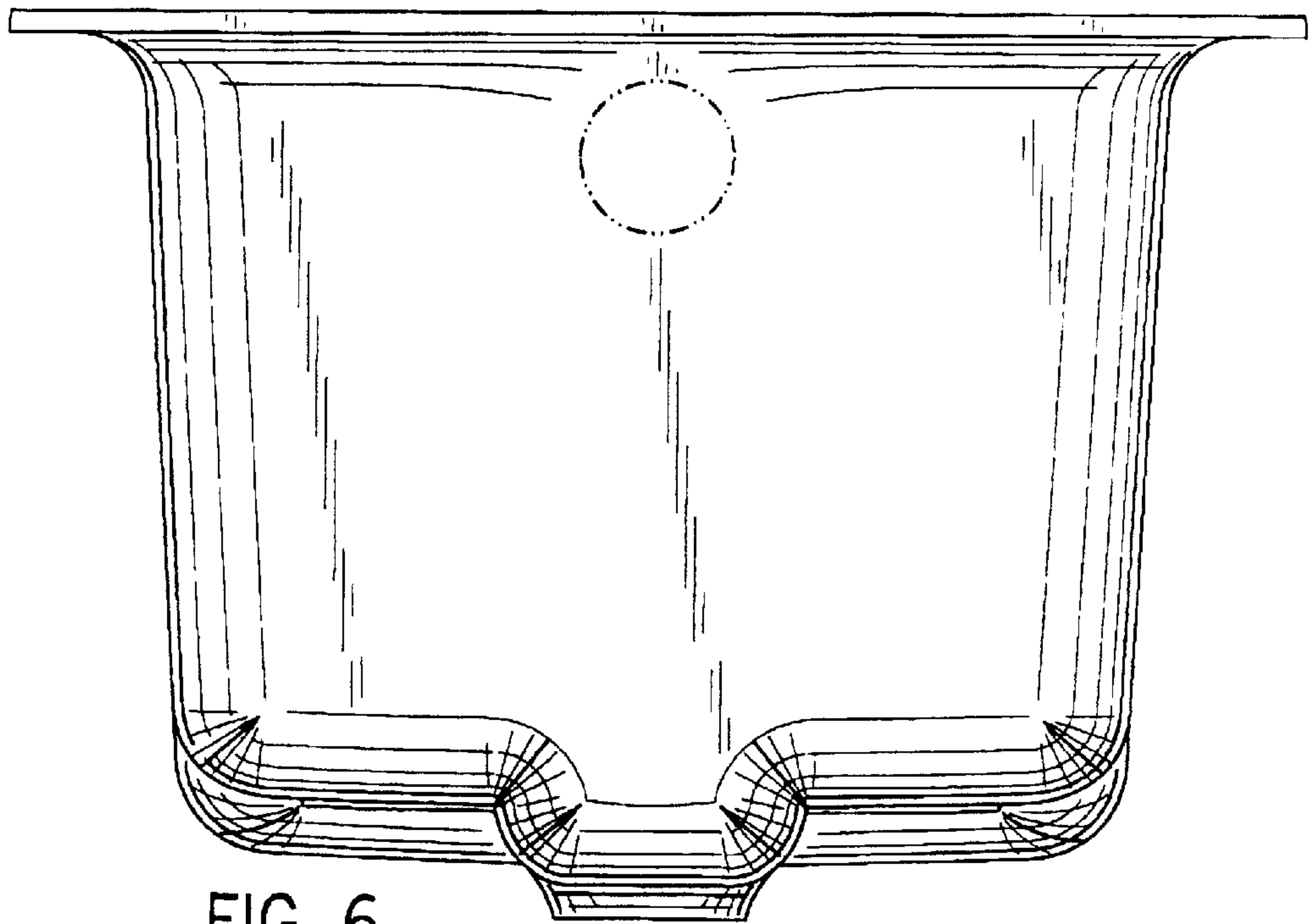


FIG. 6

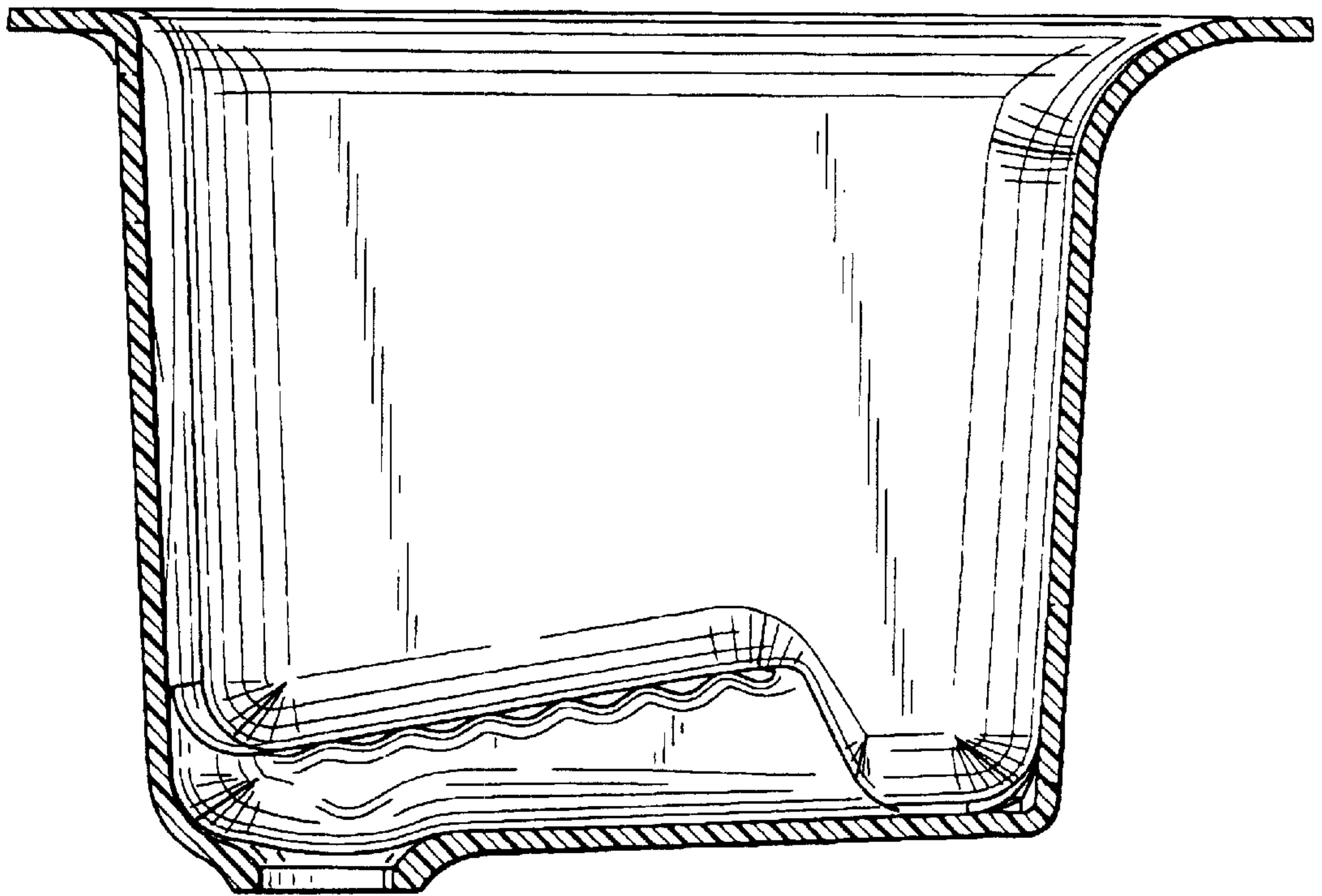


FIG. 7

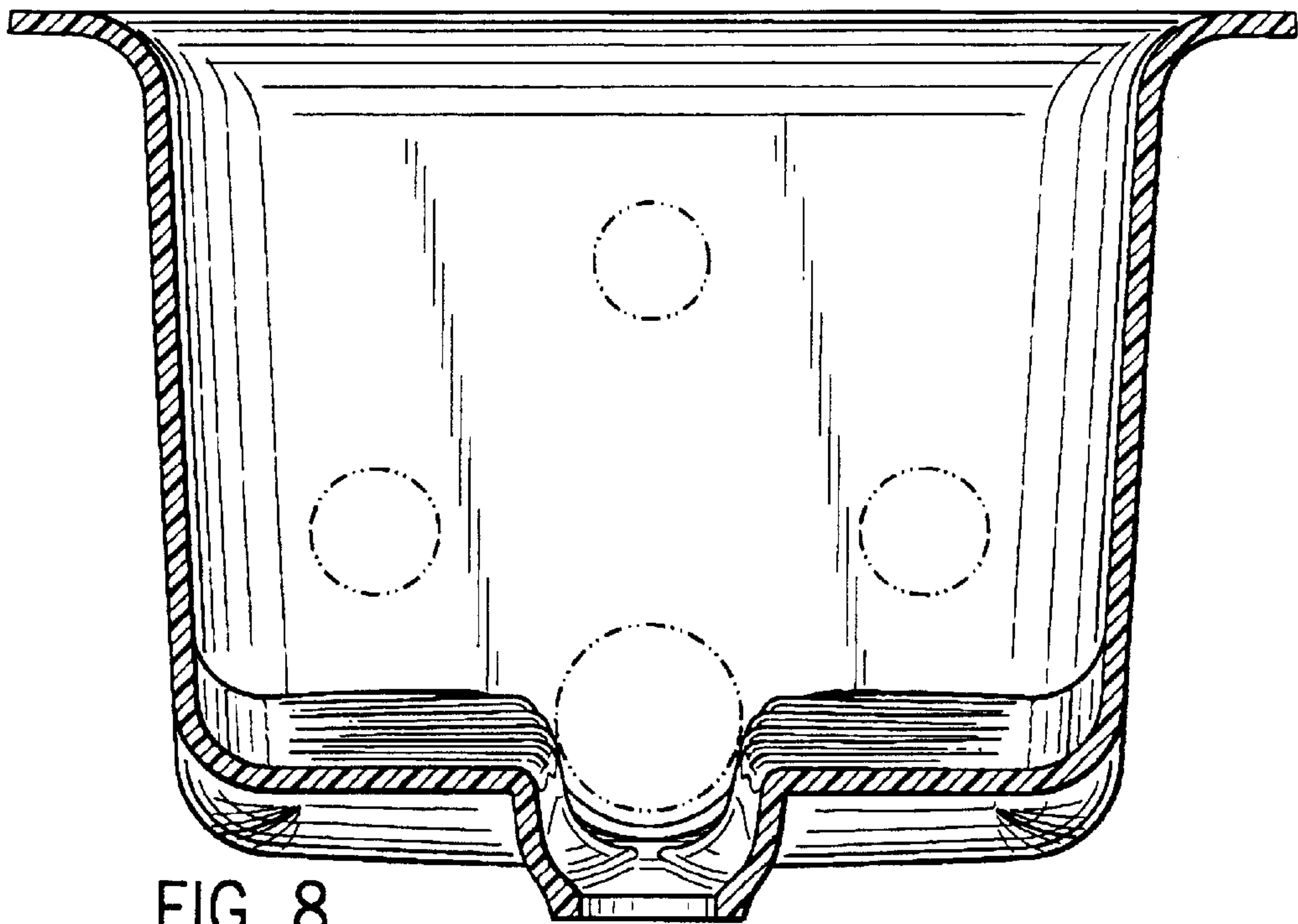


FIG. 8