



US00D459446S

(12) **United States Design Patent**  
**Wheeler**

(10) **Patent No.:** **US D459,446 S**

(45) **Date of Patent:** **\*\* Jun. 25, 2002**

(54) **LAVATORY AND TOILET COMBINATION**

(75) Inventor: **Robert L. Wheeler**, Monrovia, CA (US)

(73) Assignee: **Acorn Engineering Co.**, City of Industry, CA (US)

(\*\*) Term: **14 Years**

(21) Appl. No.: **29/145,046**

(22) Filed: **Jul. 16, 2001**

(51) **LOC (7) Cl.** ..... **23-02**

(52) **U.S. Cl.** ..... **D23/274**

(58) **Field of Search** ..... D23/270-271,  
D23/273, 284, 286-289, 291, 303, 308;  
4/619, 621-627, 630-646, 650-654, 656,  
658-661

(56) **References Cited**

**U.S. PATENT DOCUMENTS**

D190,795 S \* 7/1961 Rancorn ..... D23/275

**OTHER PUBLICATIONS**

American Standard Product Selector & Pricing Guide Fixtures Only LP-93-1: Ashmont and Acclivity sink, Jan. 1993.\*

\* cited by examiner

*Primary Examiner*—Louis S. Zarfes

*Assistant Examiner*—Robert A. Delehanty

(74) *Attorney, Agent, or Firm*—Edgar W. Averill, Jr.

(57) **CLAIM**

The ornamental design for a lavatory and toilet combination, as shown and described.

**DESCRIPTION**

FIG. 1 is a perspective view showing the front, top and right side of the lavatory and toilet combination, showing my new design

FIG. 2 is a perspective view identical to FIG. 1, except showing the toilet seat in a raised position.

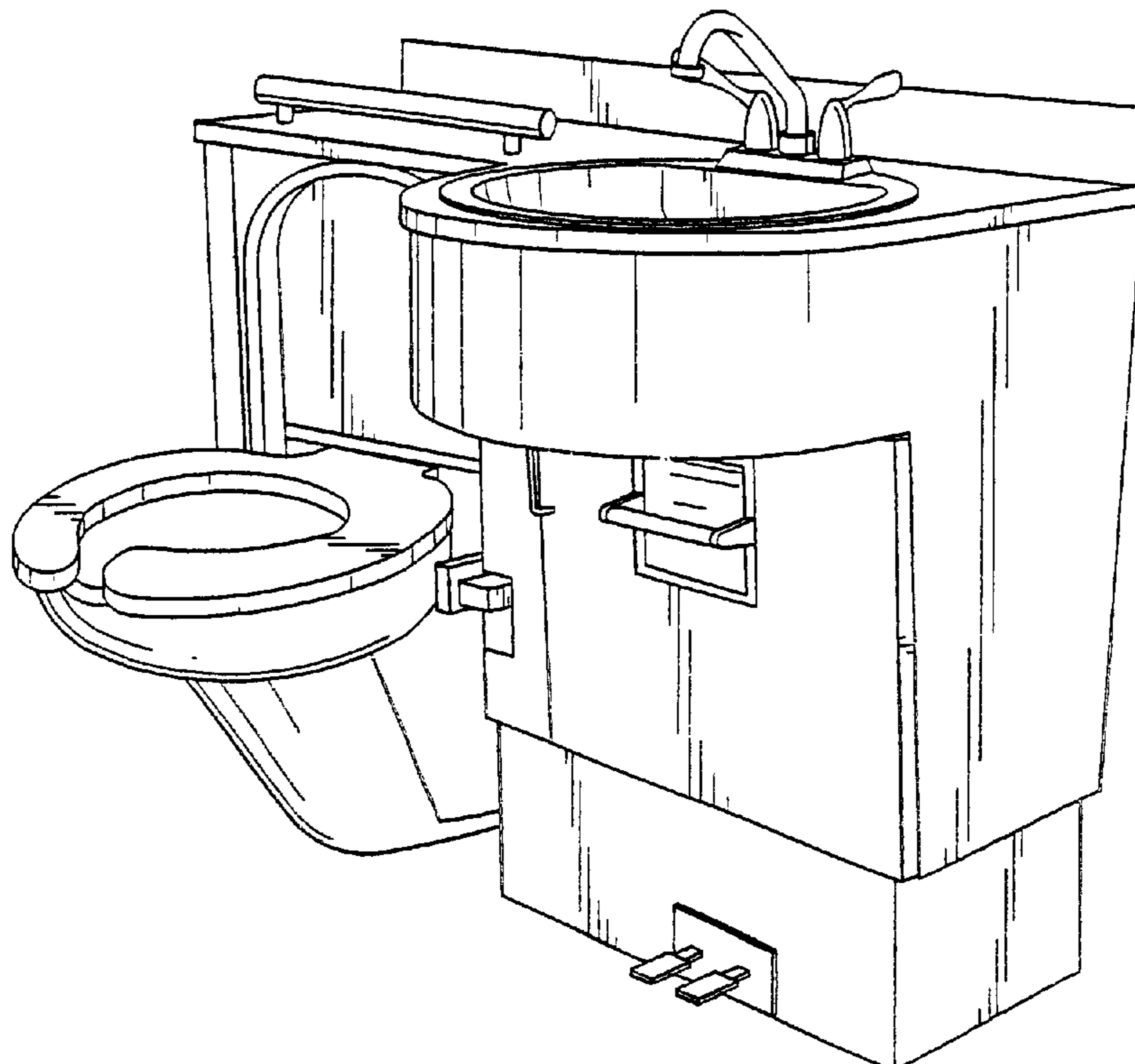
FIG. 3 is a top view thereof.

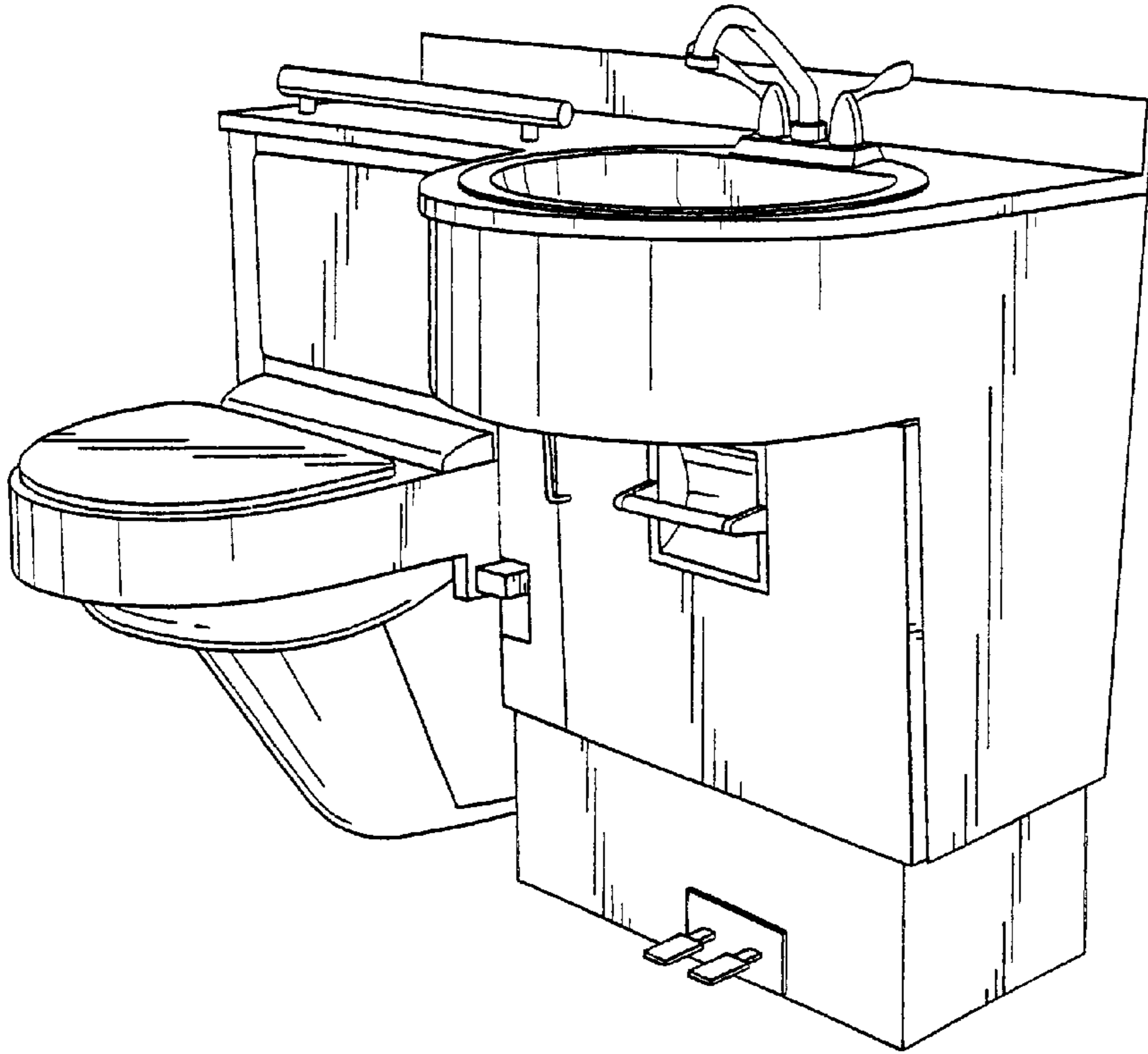
FIG. 4 is a front view thereof.

FIG. 5 is a right side view thereof; and,

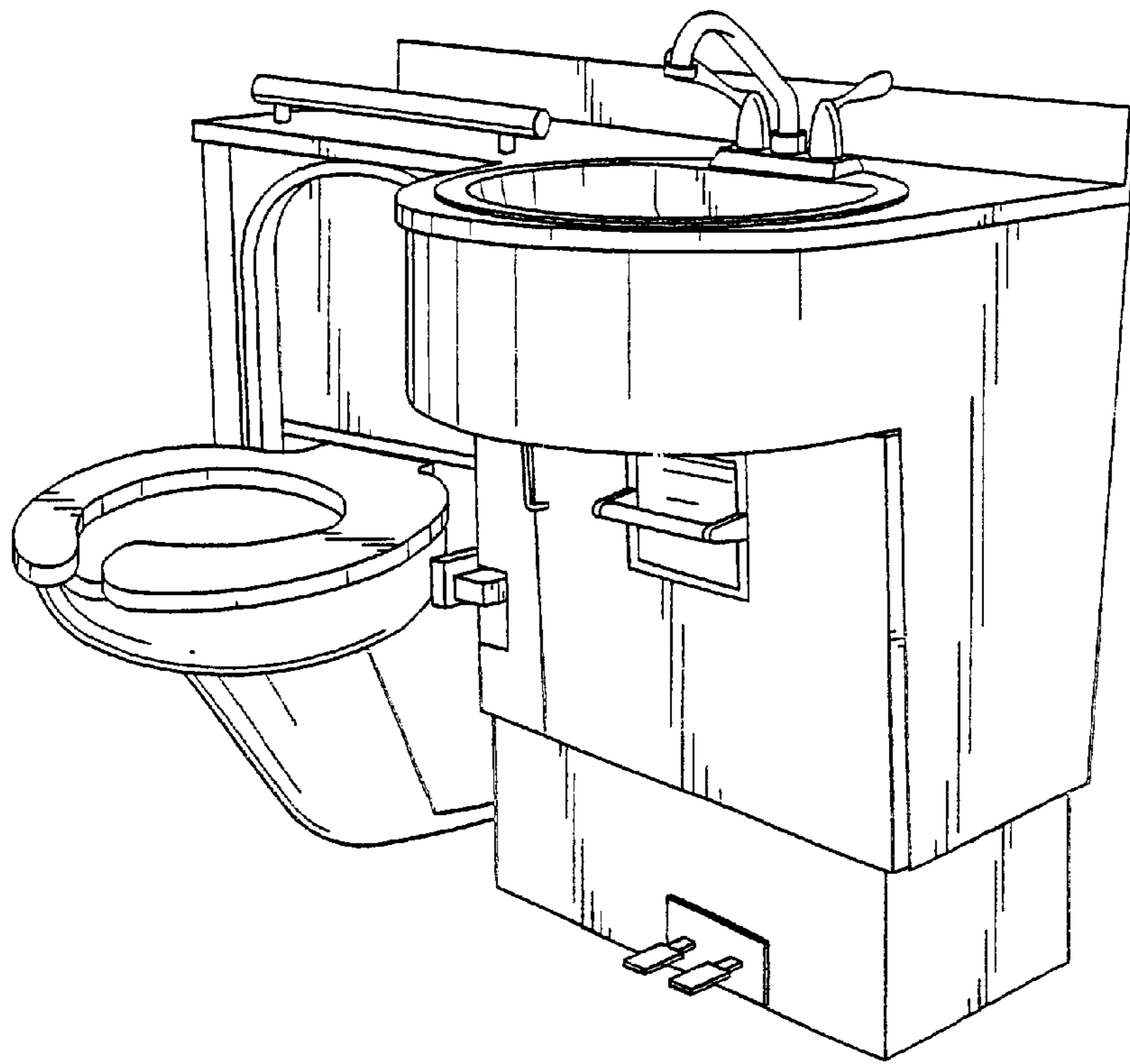
FIG. 6 is a left side view thereof.

**1 Claim, 3 Drawing Sheets**

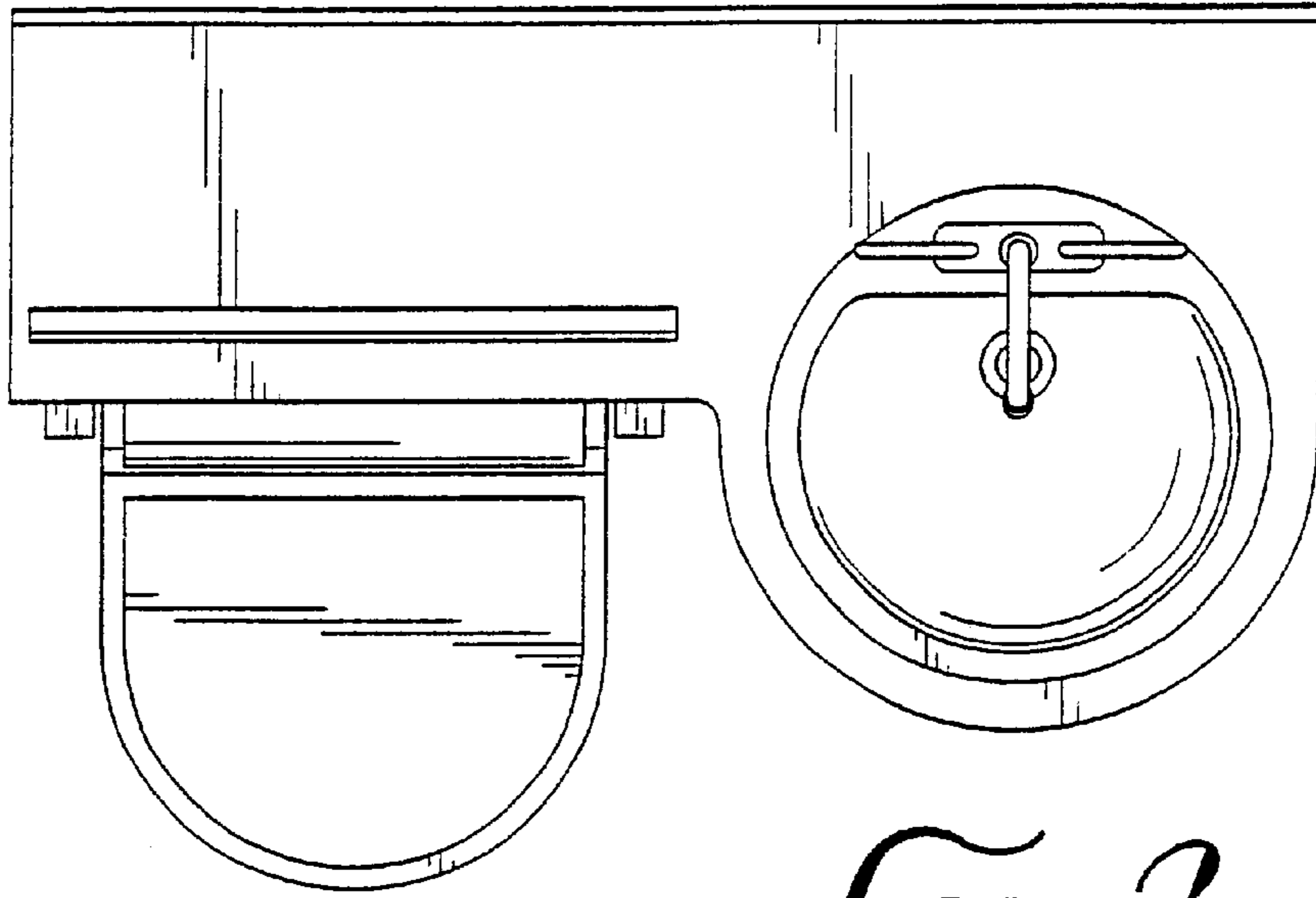




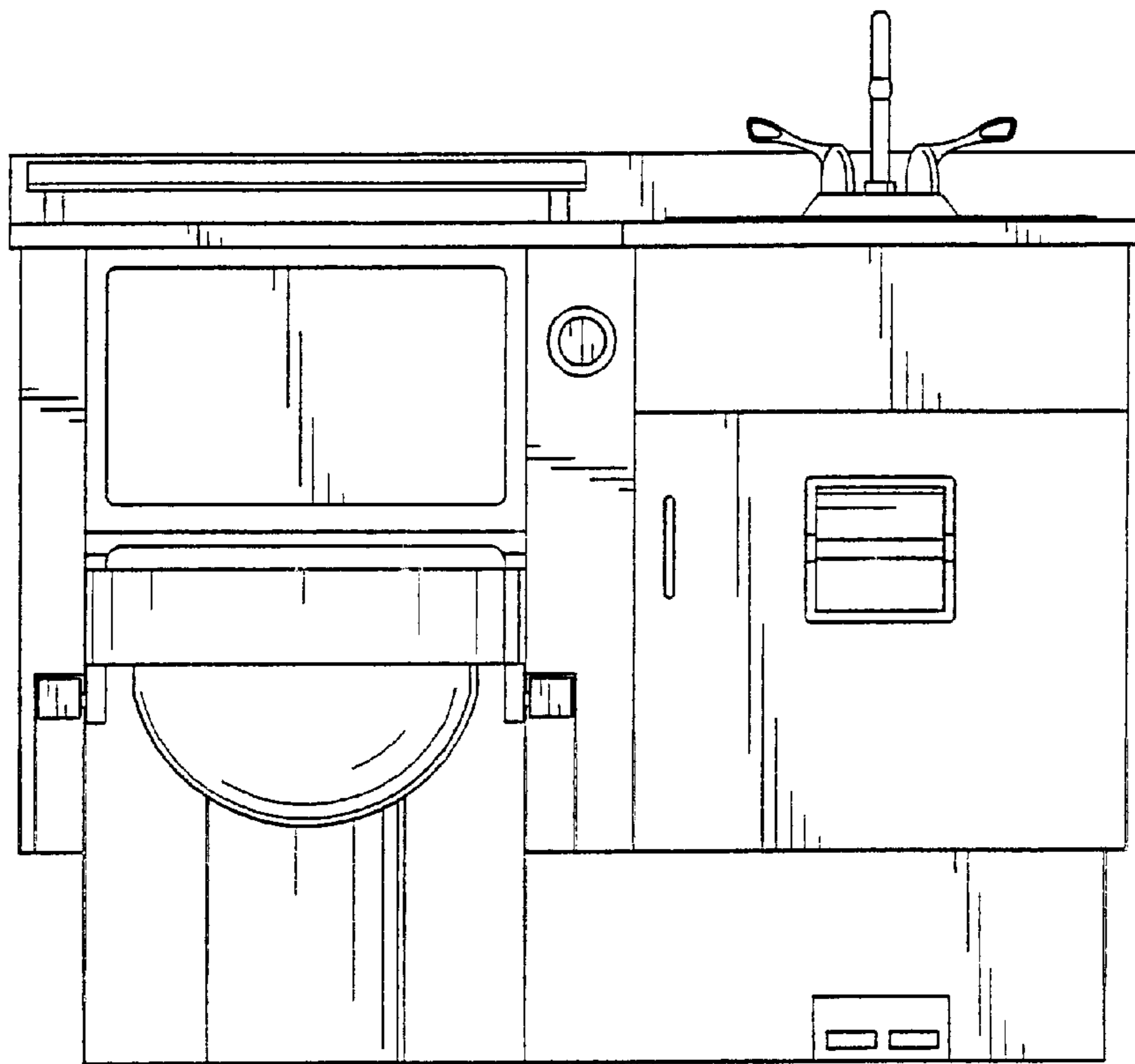
*FIG. 1*



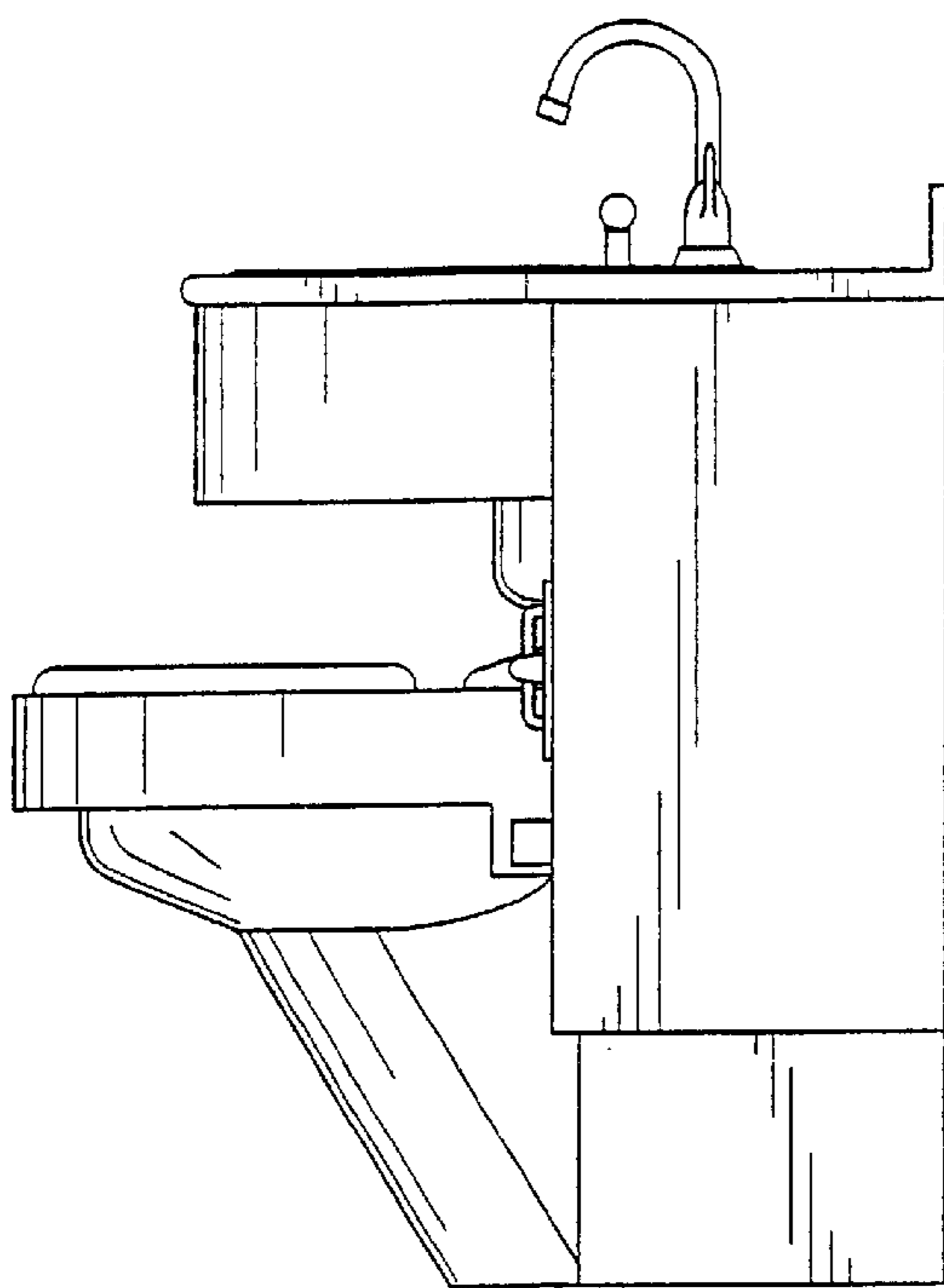
*FIG. 2*



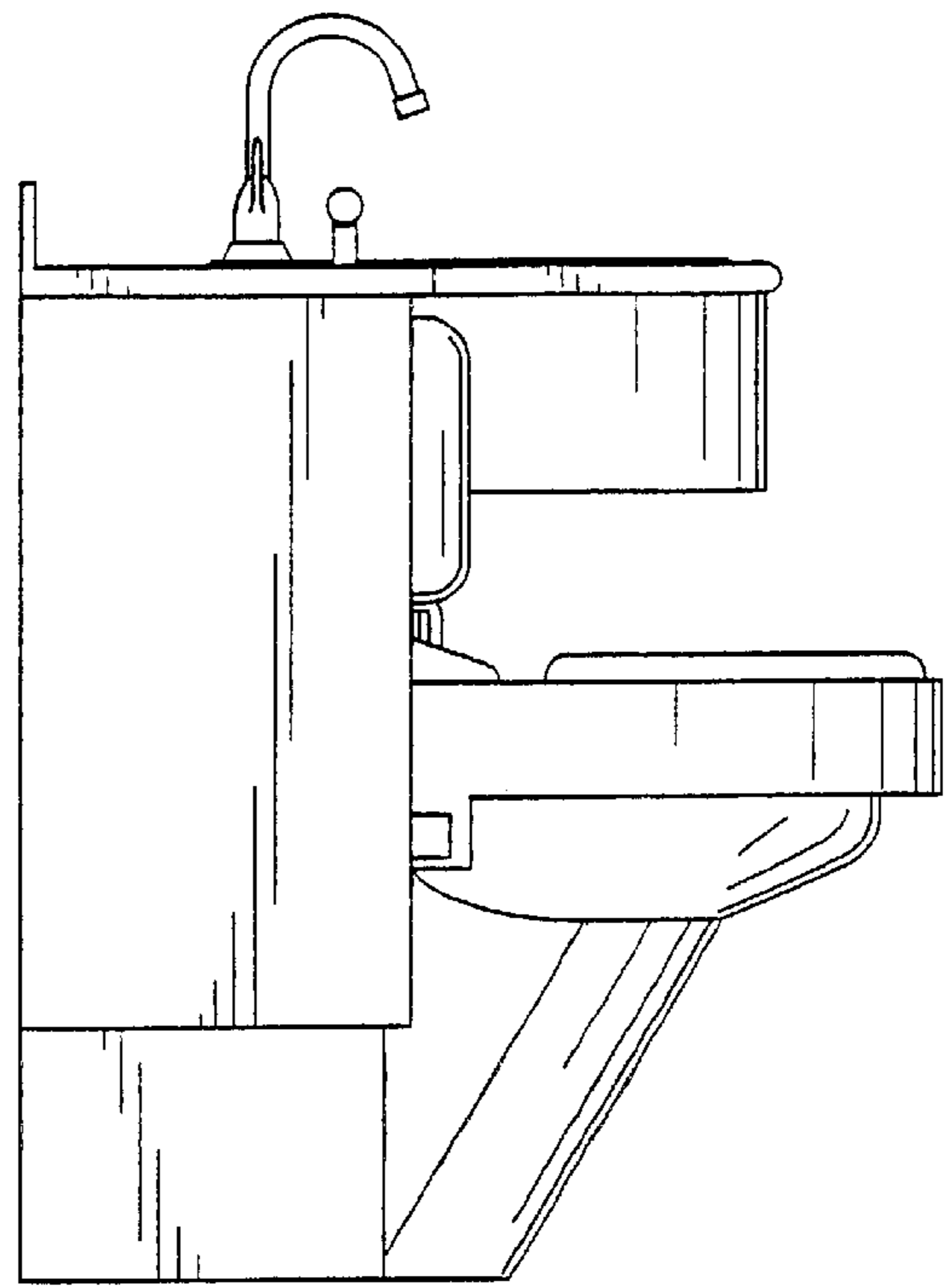
*FIG. 3*



*FIG. 4*



*FIG. 5*



*FIG. 6*