



US00D459445S

(12) **United States Design Patent**
Müllenmeister

(10) **Patent No.:** **US D459,445 S**

(45) **Date of Patent:** **** Jun. 25, 2002**

(54) **WALL-MOUNT FAUCET HANDLE ASSEMBLY**

(75) **Inventor:** **Daniel Müllenmeister**, Havixbeck (DE)

(73) **Assignee:** **Friedrich Grohe AG & Co. KG**, Hemer (DE)

(**) **Term:** **14 Years**

(21) **Appl. No.:** **29/145,675**

(22) **Filed:** **Jul. 26, 2001**

(30) **Foreign Application Priority Data**

Feb. 28, 2001 (DE) 4 01 02 070

(51) **LOC (7) Cl.** **23-01**

(52) **U.S. Cl.** **D23/254**

(58) **Field of Search** D23/238-257;
D8/300-308, 350-354; 4/675-678; 137/801;
16/110 R-121

(56) **References Cited**

U.S. PATENT DOCUMENTS

D219,782 S * 1/1971 Tiller D23/252

D404,802 S * 1/1999 Delker D23/252
D414,845 S * 10/1999 Hyde D23/250
D418,205 S * 12/1999 Hyde et al. D23/250
D433,488 S * 11/2000 Milrud et al. D23/254

* cited by examiner

Primary Examiner—Louis S. Zarfaz

Assistant Examiner—Gregory Andoll

(74) *Attorney, Agent, or Firm*—Herbert Dubno

(57) **CLAIM**

The ornamental design for a wall-mount faucet handle assembly, as shown.

DESCRIPTION

FIG. 1 is a top, front, left-side perspective view of a wall-mount faucet handle assembly showing my new design;

FIG. 2 is a top plan view thereof;

FIG. 3 is a bottom plan view thereof;

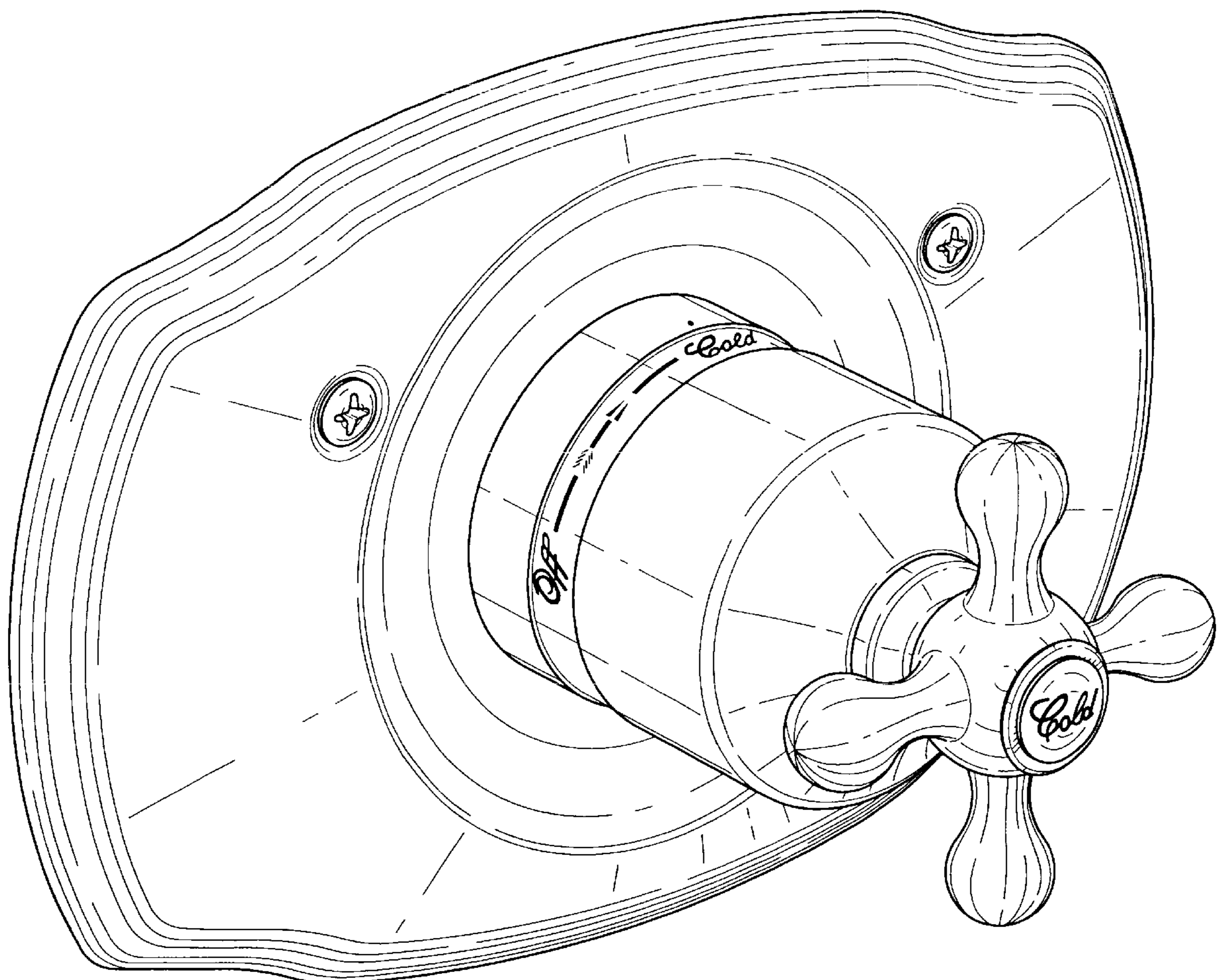
FIG. 4 is a left side elevational view thereof;

FIG. 5 is a right side elevational view thereof;

FIG. 6 is a front elevational view thereof; and,

FIG. 7 is a rear elevational view thereof.

1 Claim, 7 Drawing Sheets



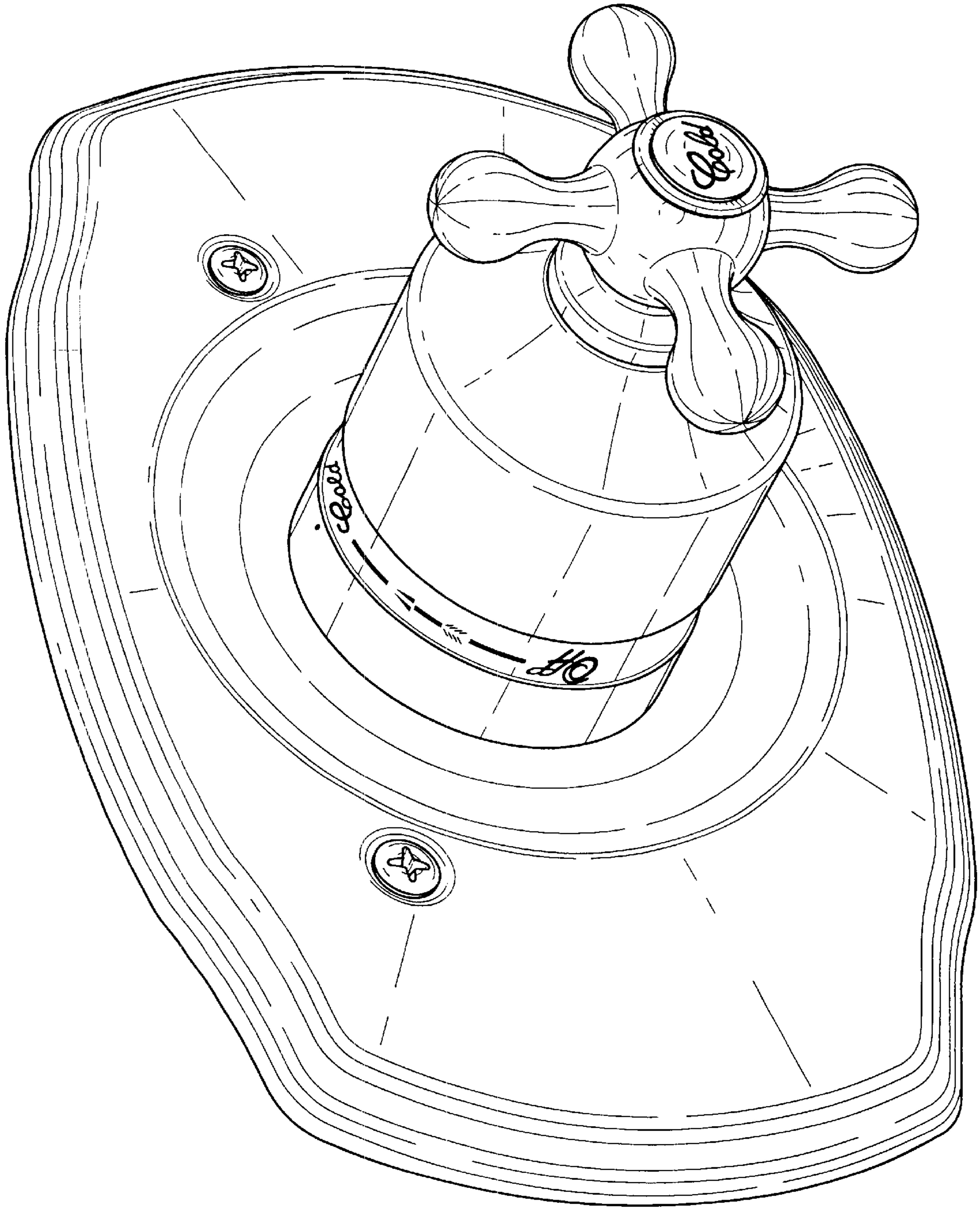


FIG. 1

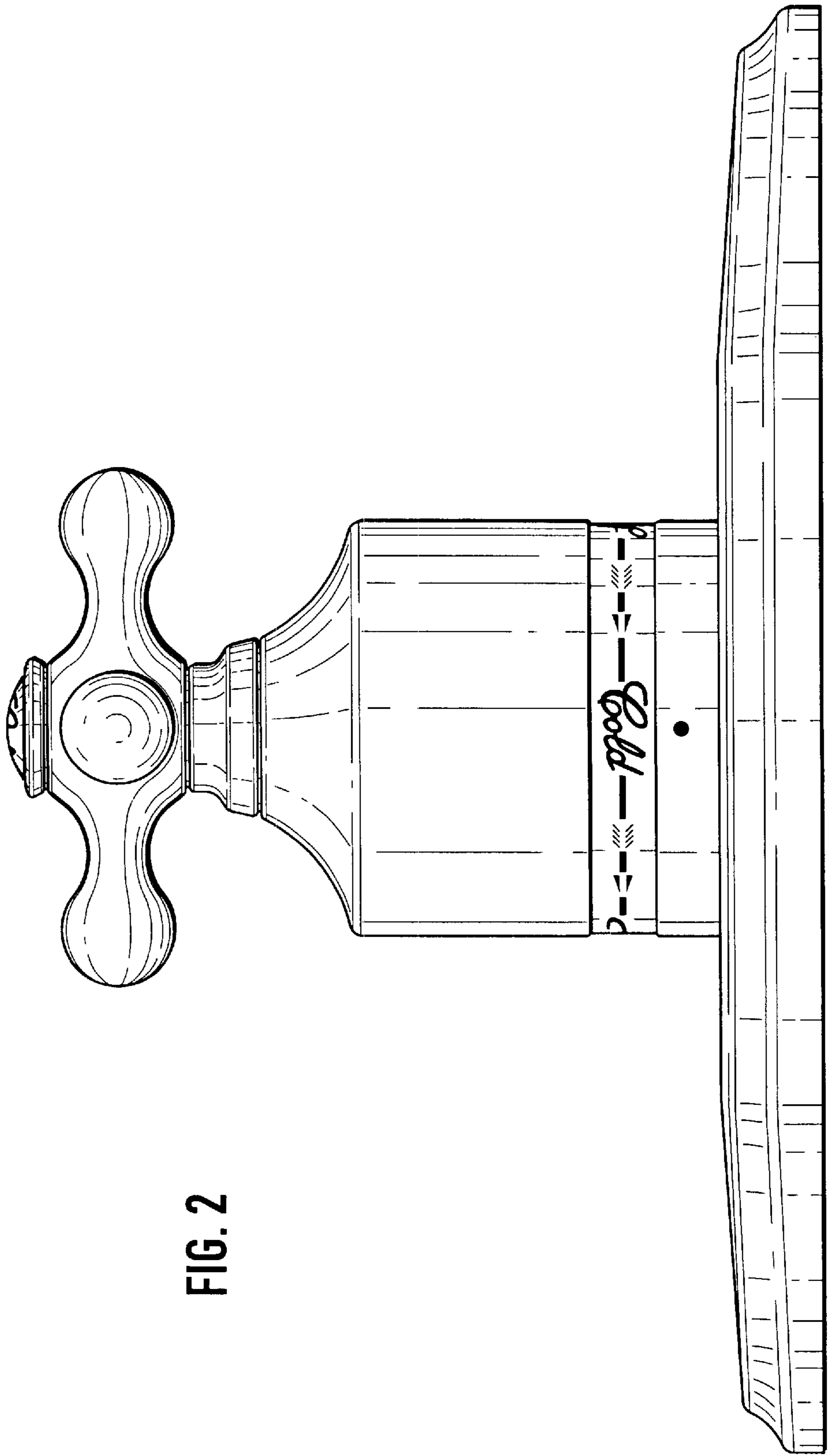


FIG. 2

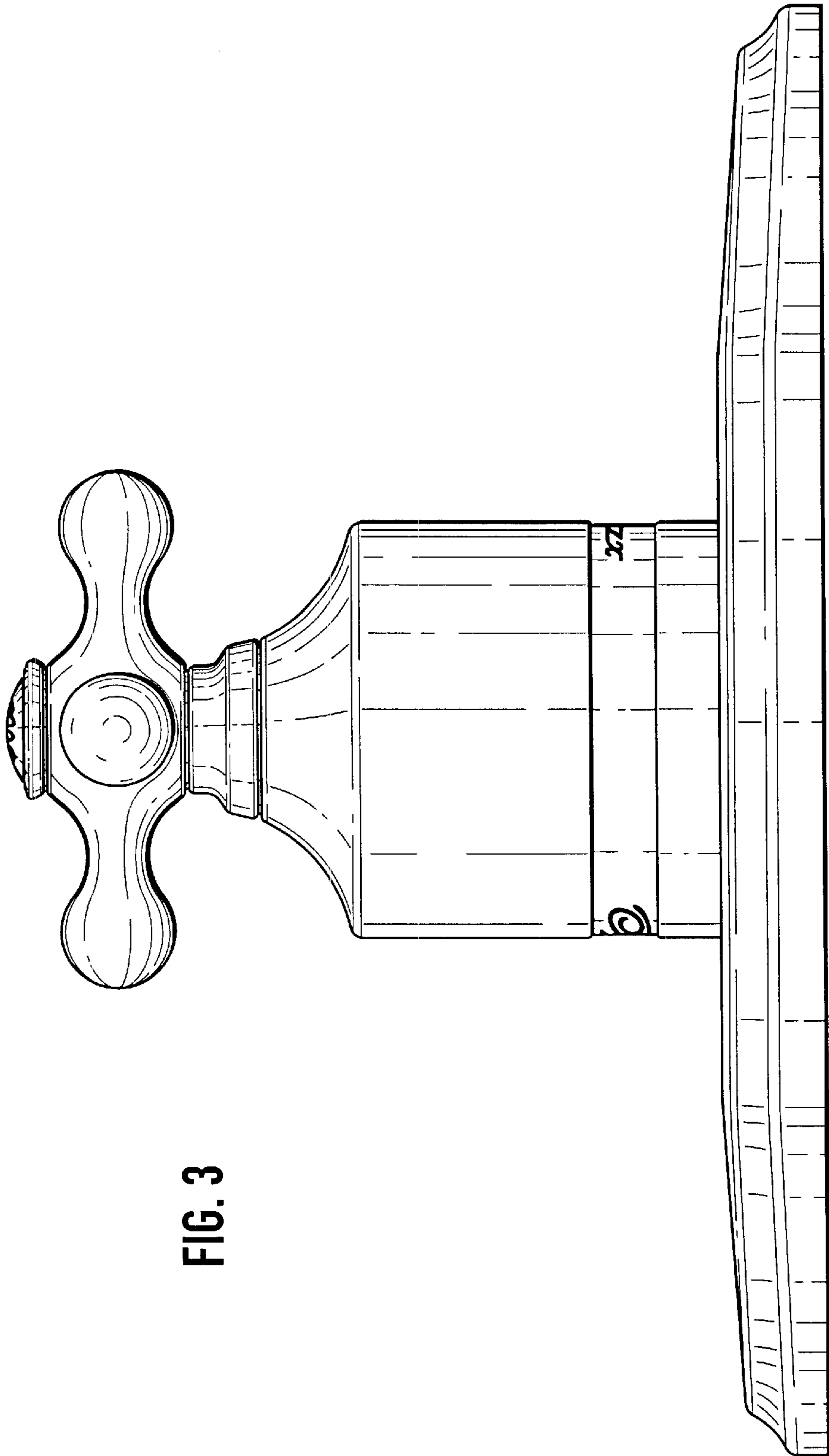


FIG. 3

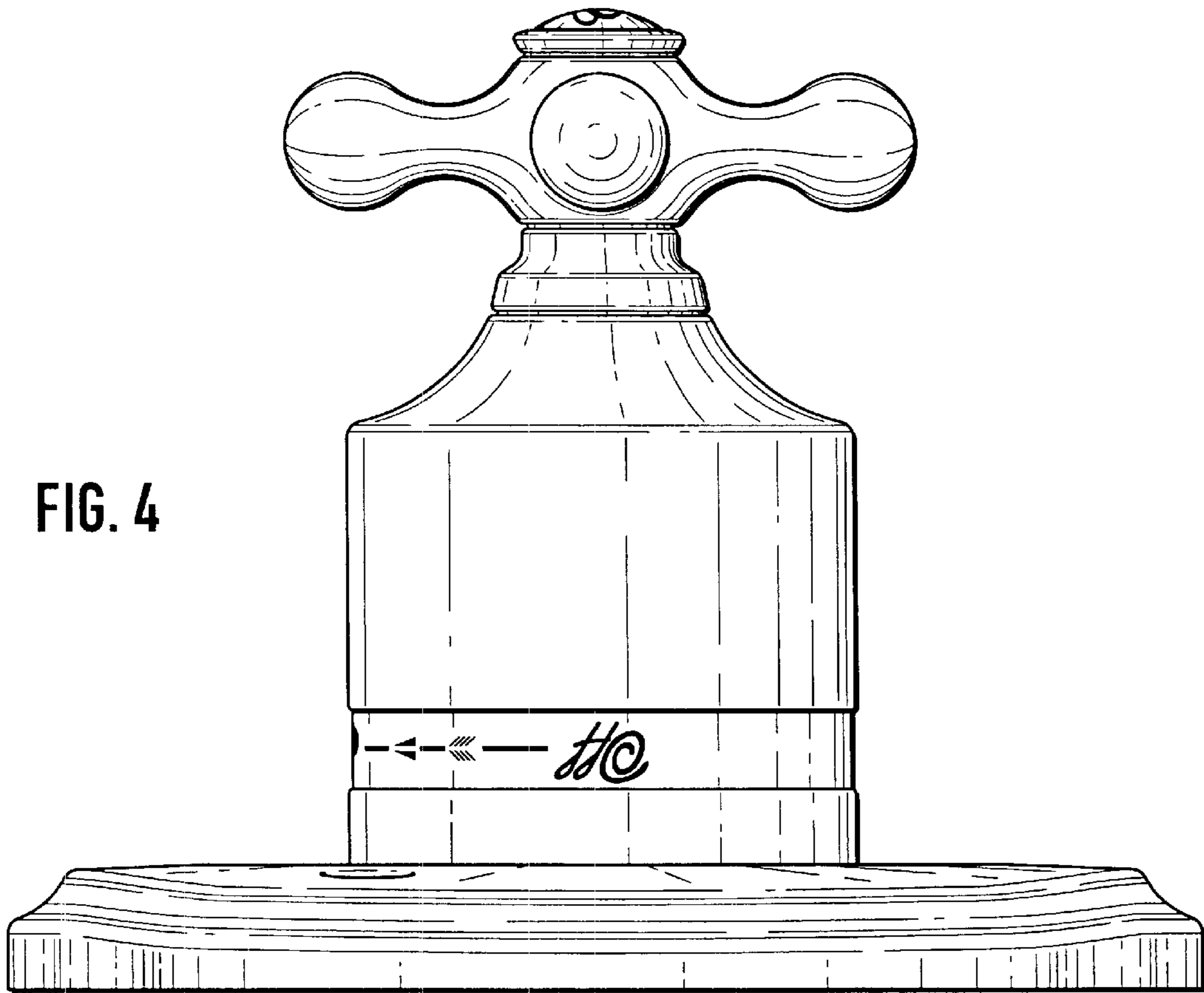


FIG. 4

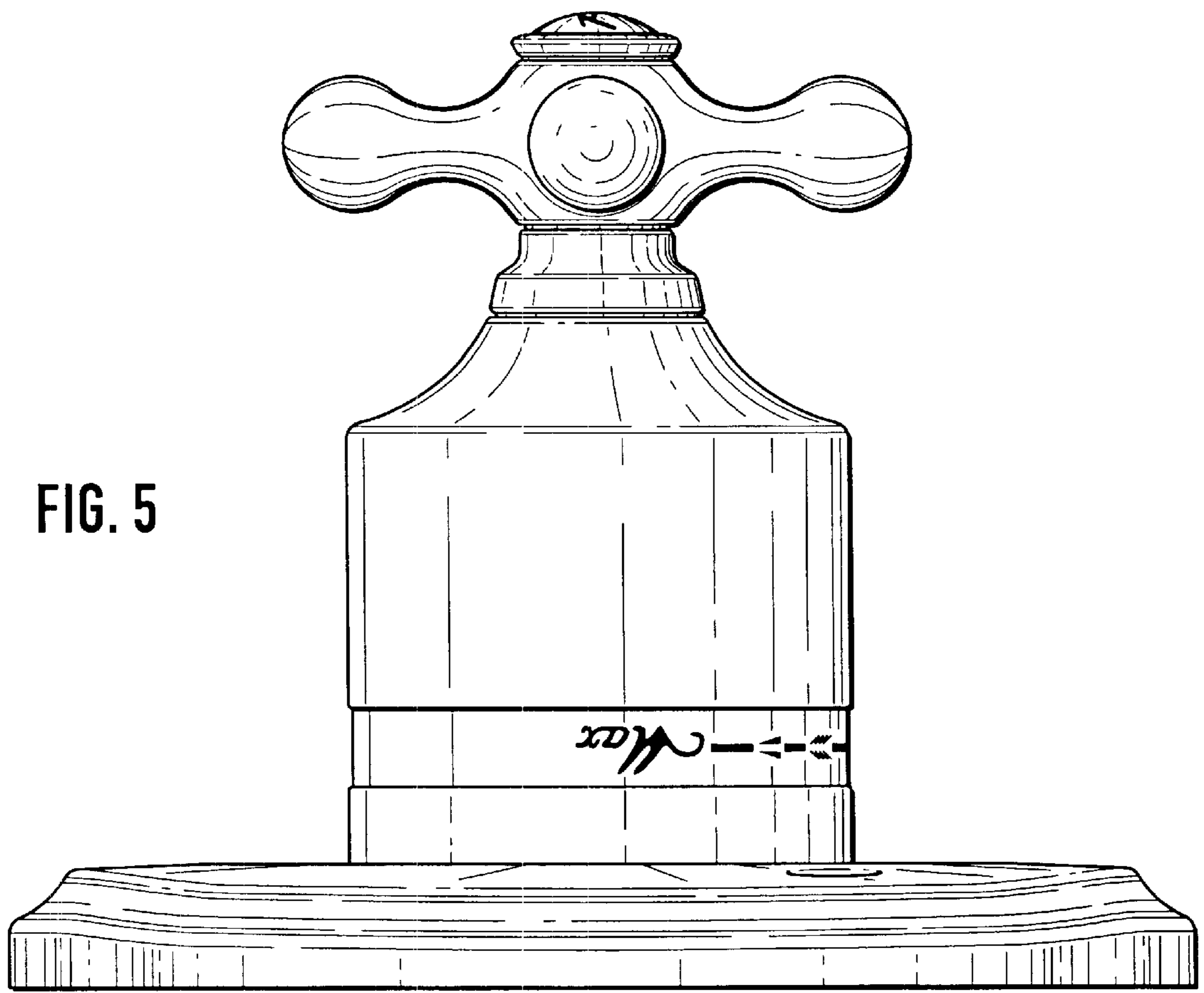


FIG. 5

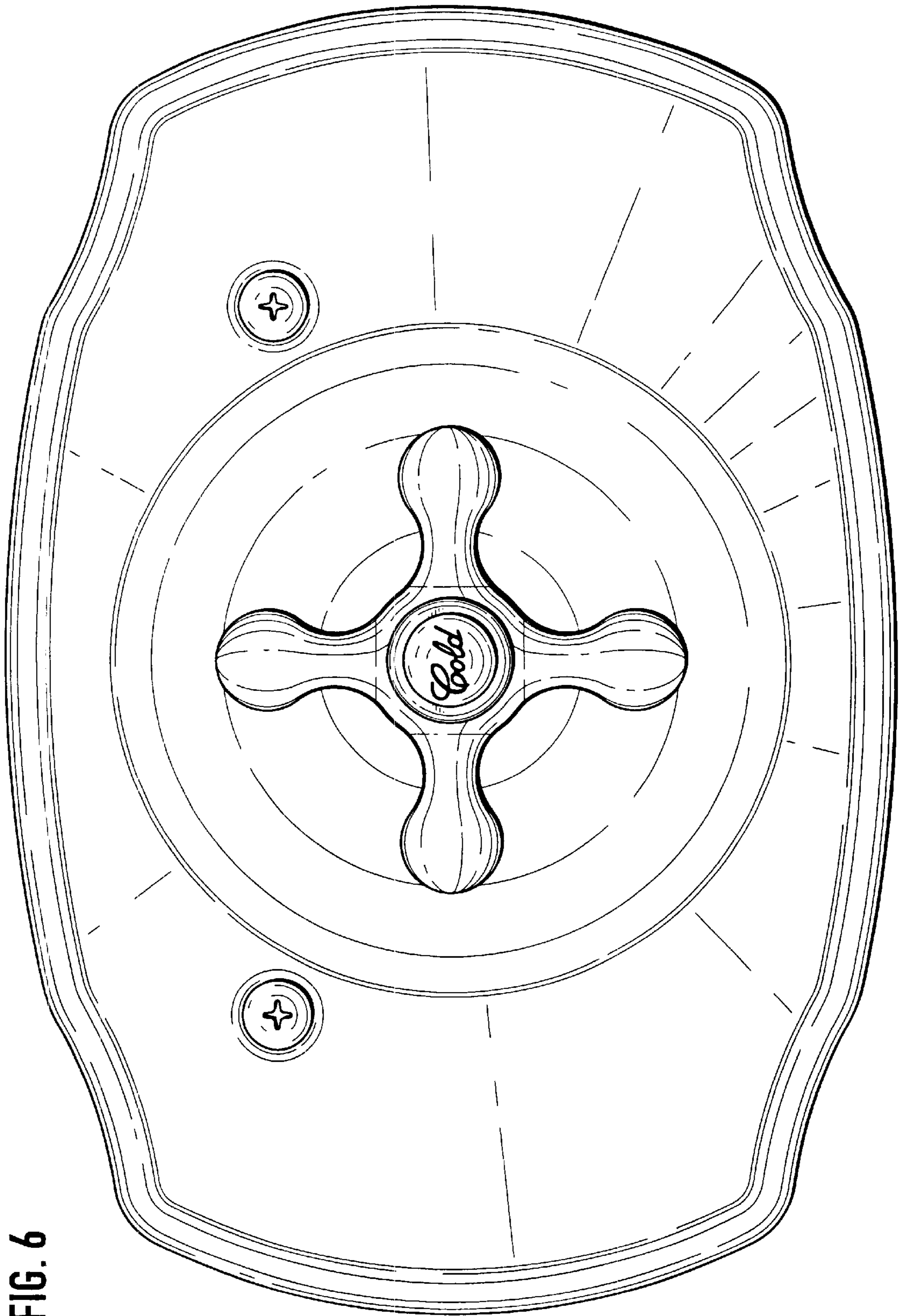


FIG. 6

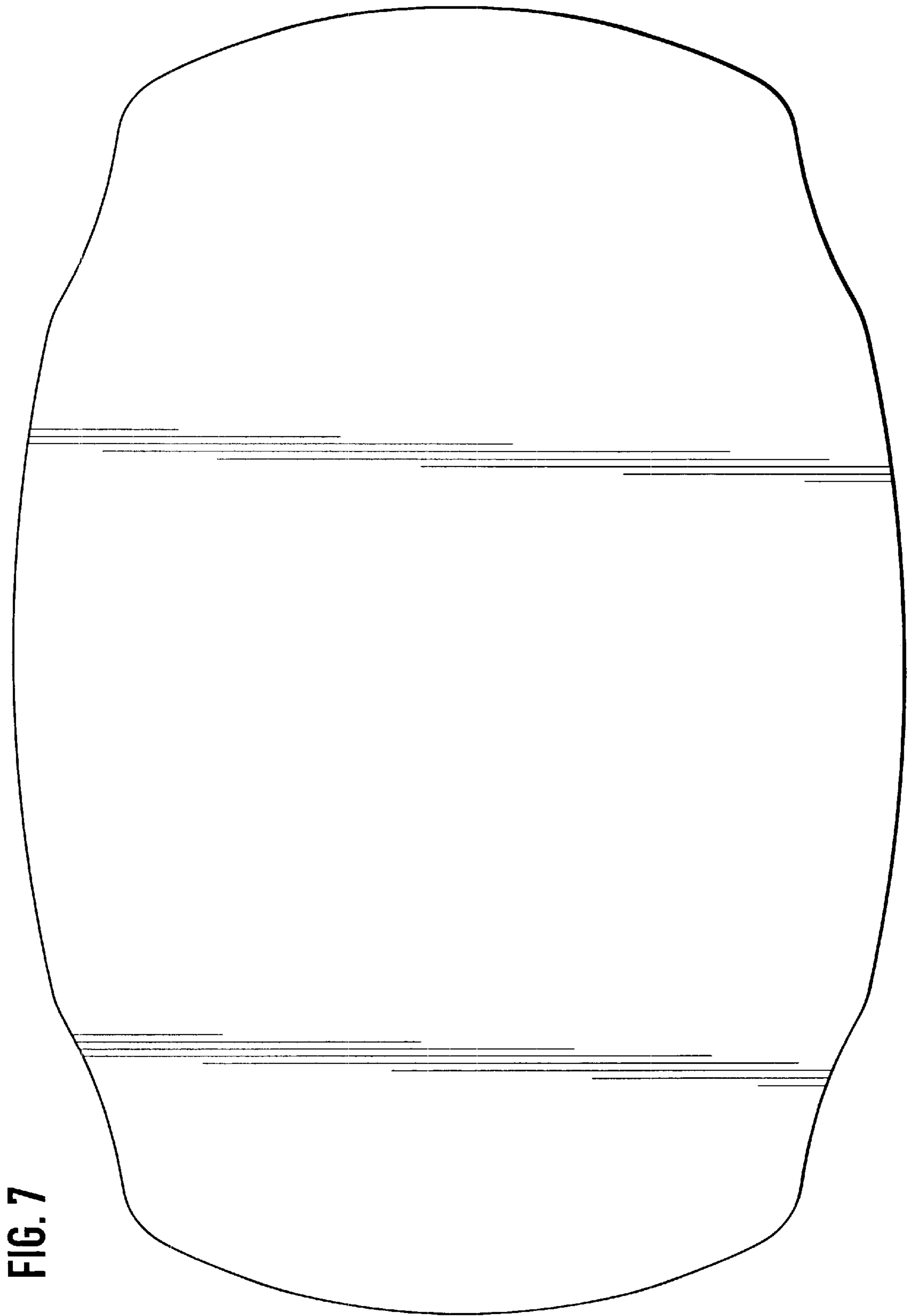


FIG. 7