



US00D459444S

(12) **United States Design Patent**  
**Chen**

(10) **Patent No.:** **US D459,444 S**

(45) **Date of Patent:** **\*\* Jun. 25, 2002**

(54) **HANDLE OF A BALL VALVE**

D411,870 S \* 7/1999 Humber ..... D23/233  
D444,213 S \* 6/2001 Lord ..... D23/252

(75) Inventor: **Chin-Yuan Chen**, Chang-Hua Hsien  
(TW)

\* cited by examiner

(73) Assignee: **Shin Tai Spurt Water of the Garden**  
**Tools Co., Ltd.**, Chang-Hua Hsien  
(TW)

*Primary Examiner*—Nelson C Holtje  
(74) *Attorney, Agent, or Firm*—Harrison & Egbert

(\*\*) Term: **14 Years**

(57) **CLAIM**

I claim the ornamental design for a handle of a ball valve,  
as shown and described.

(21) Appl. No.: **29/141,229**

**DESCRIPTION**

(22) Filed: **May 3, 2001**

(51) **LOC (7) Cl.** ..... **23-01**

(52) **U.S. Cl.** ..... **D23/250**

(58) **Field of Search** ..... D23/249, 250,  
D23/238, 239, 241–242; 251/309–310,  
314, 315, 315.1, 315.01

FIG. 1 is an upper perspective view of the handle of a ball  
valve showing my design.

FIG. 2 is a front view thereof;

FIG. 3 is a back view thereof;

FIG. 4 is a side view thereof;

FIG. 5 is an opposite side view thereof;

FIG. 6 is a top view thereof;

FIG. 7 is a bottom view thereof;

FIG. 8 is an upper perspective view thereof, the broken line  
showings being environmental only and forming no part of  
the claimed design; and,

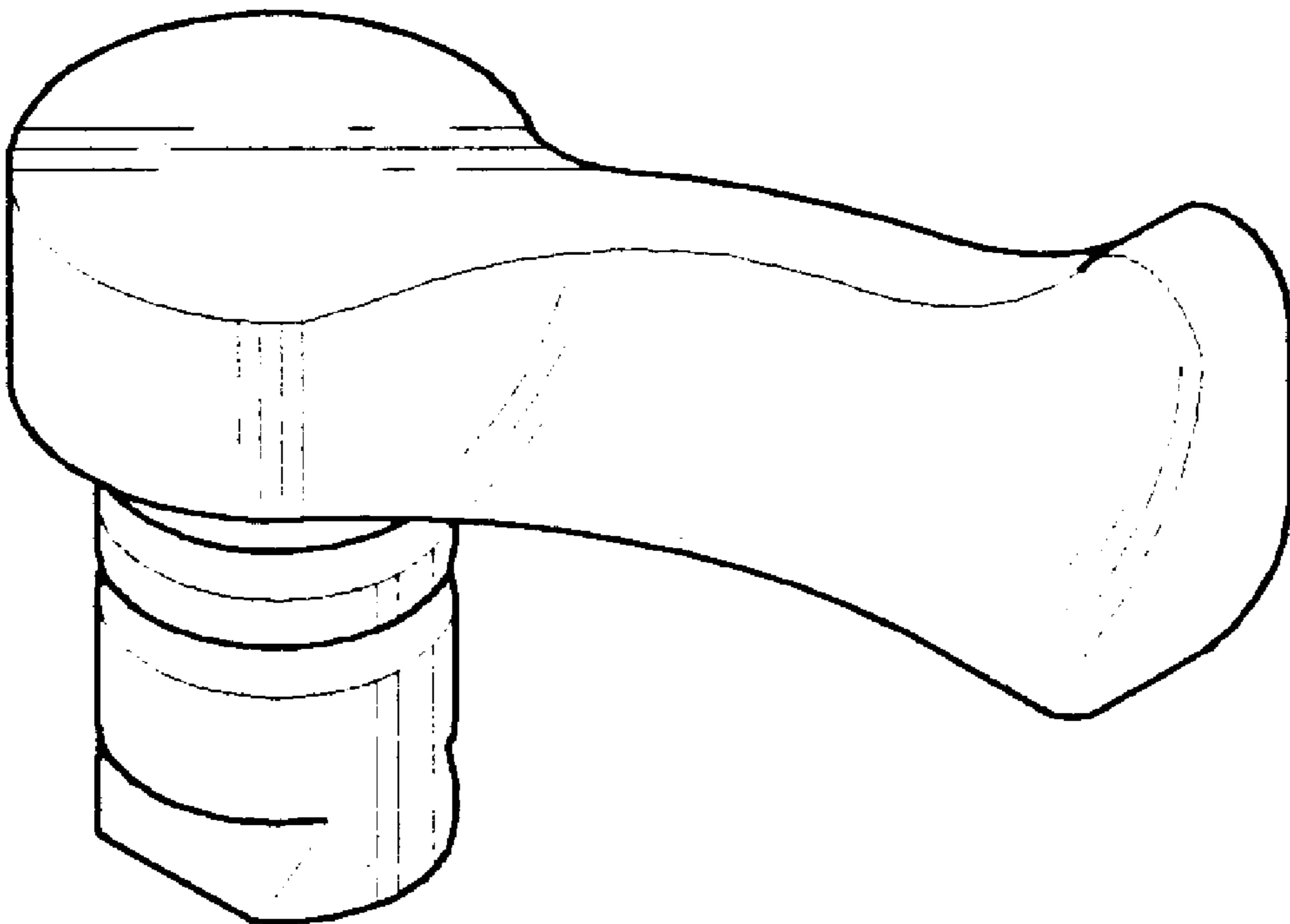
FIG. 9 is an another upper perspective view thereof, the  
broken lines showings being environmental only and form-  
ing no part of the claimed design.

(56) **References Cited**

**U.S. PATENT DOCUMENTS**

D90,449 S \* 8/1933 Muend ..... D23/238 X  
D203,649 S \* 2/1966 Sundberg et al. .... D23/241  
D258,981 S \* 4/1981 Saporito et al. .... D23/241  
D366,097 S \* 1/1996 Gottwald ..... D23/238  
D387,134 S \* 12/1997 Donahue et al. .... D23/250  
D387,135 S \* 12/1997 Donahue et al. .... D23/250

**1 Claim, 5 Drawing Sheets**



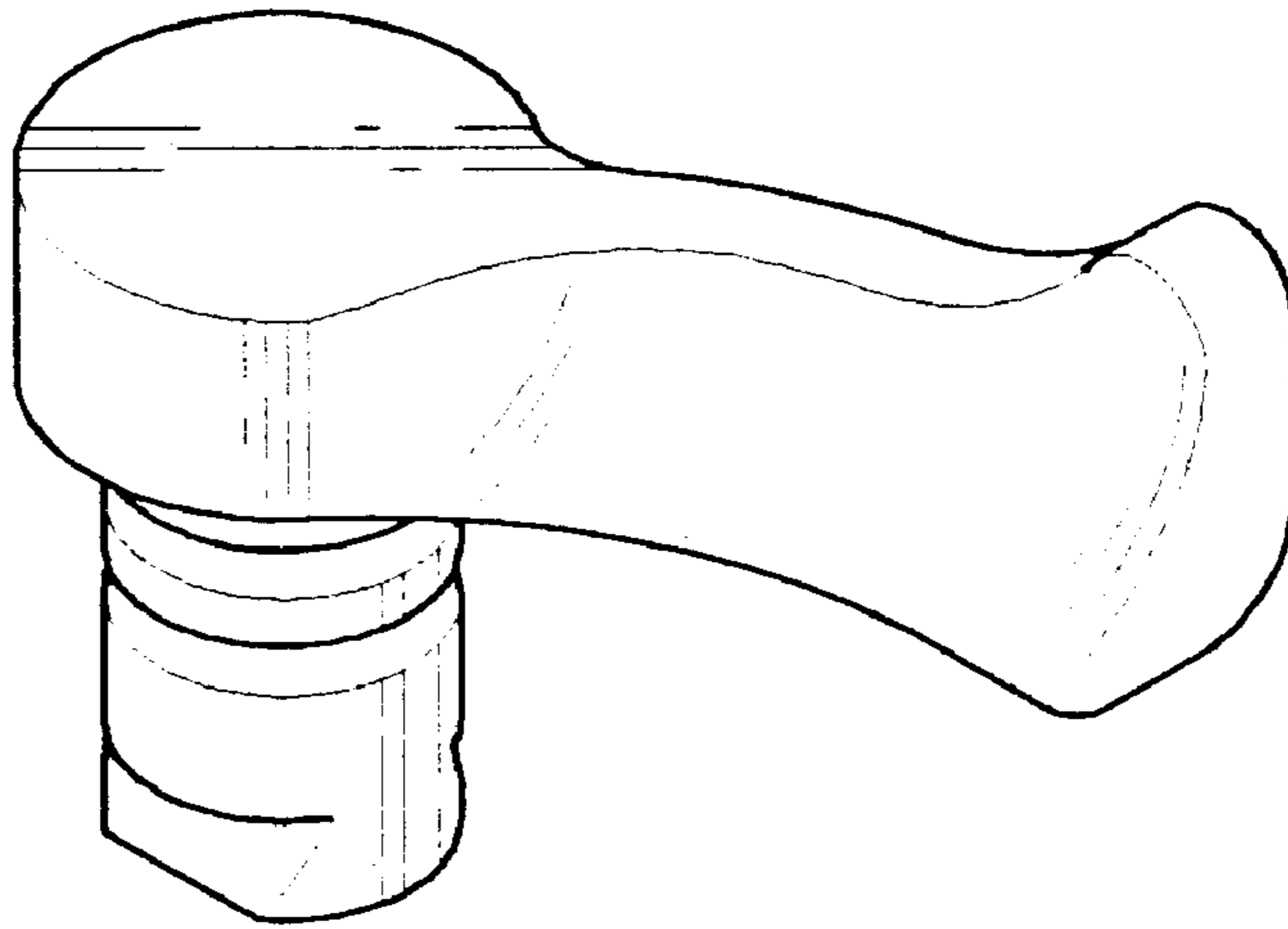


FIG. 1

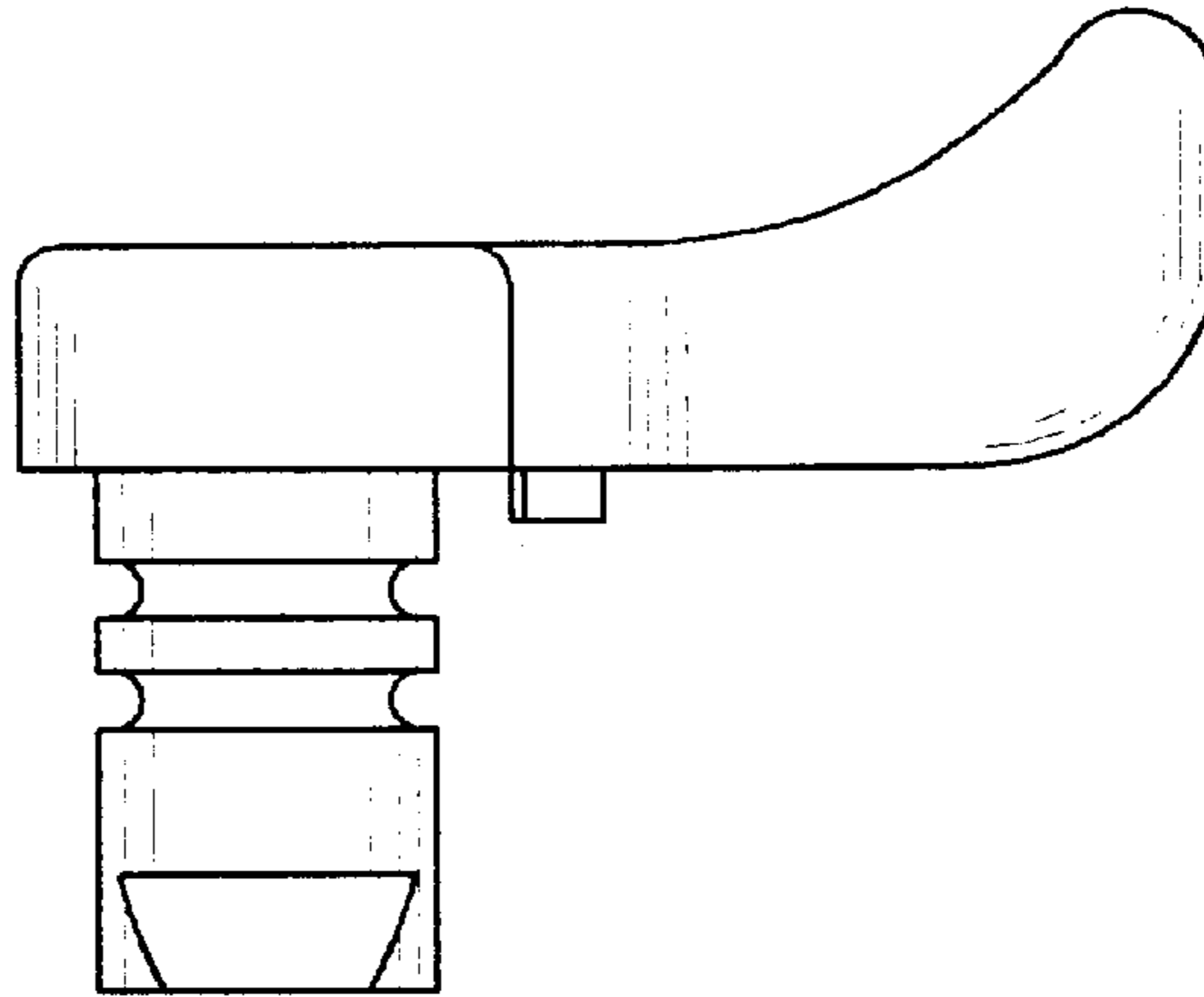


FIG. 2

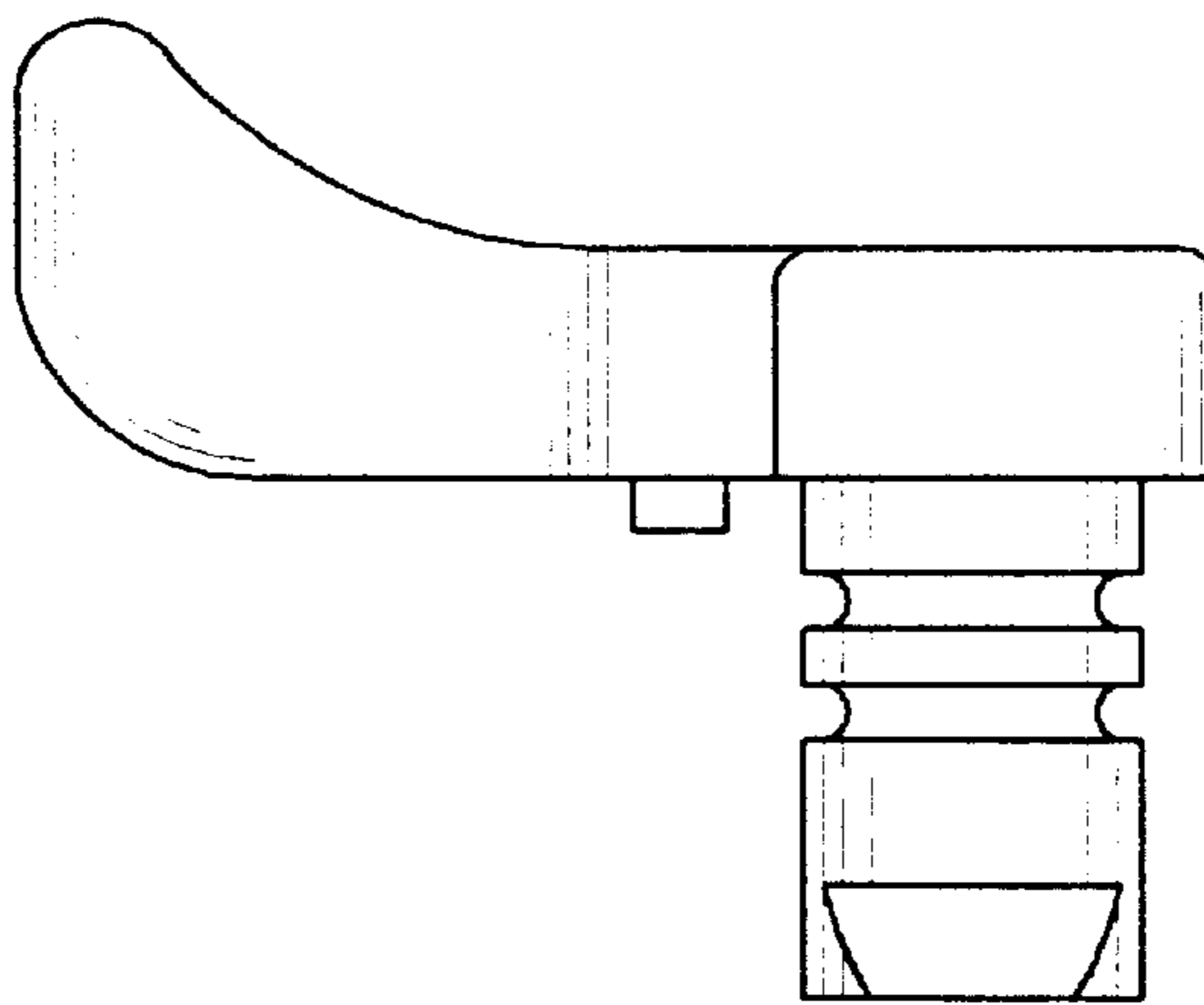


FIG. 3

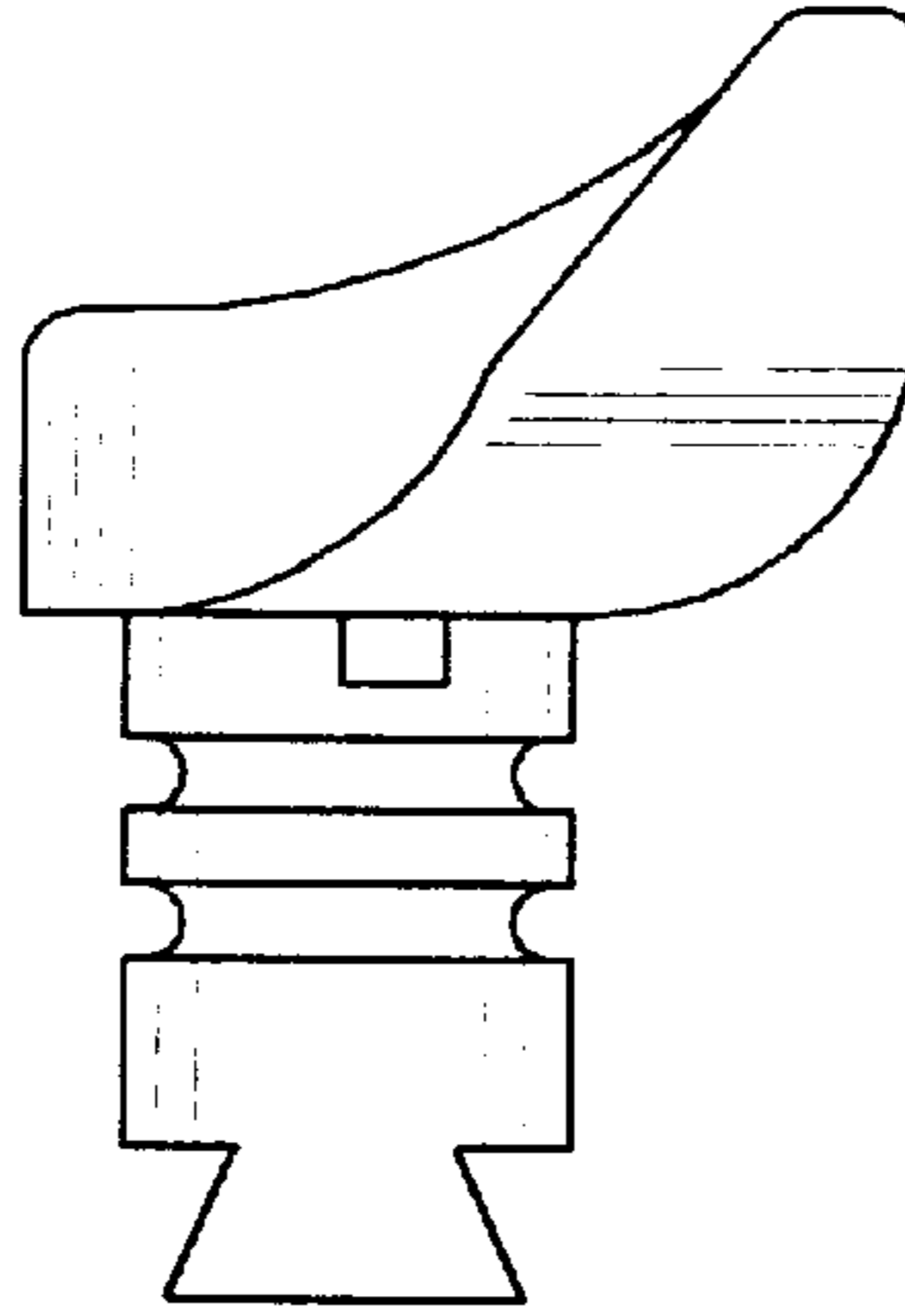


FIG. 4

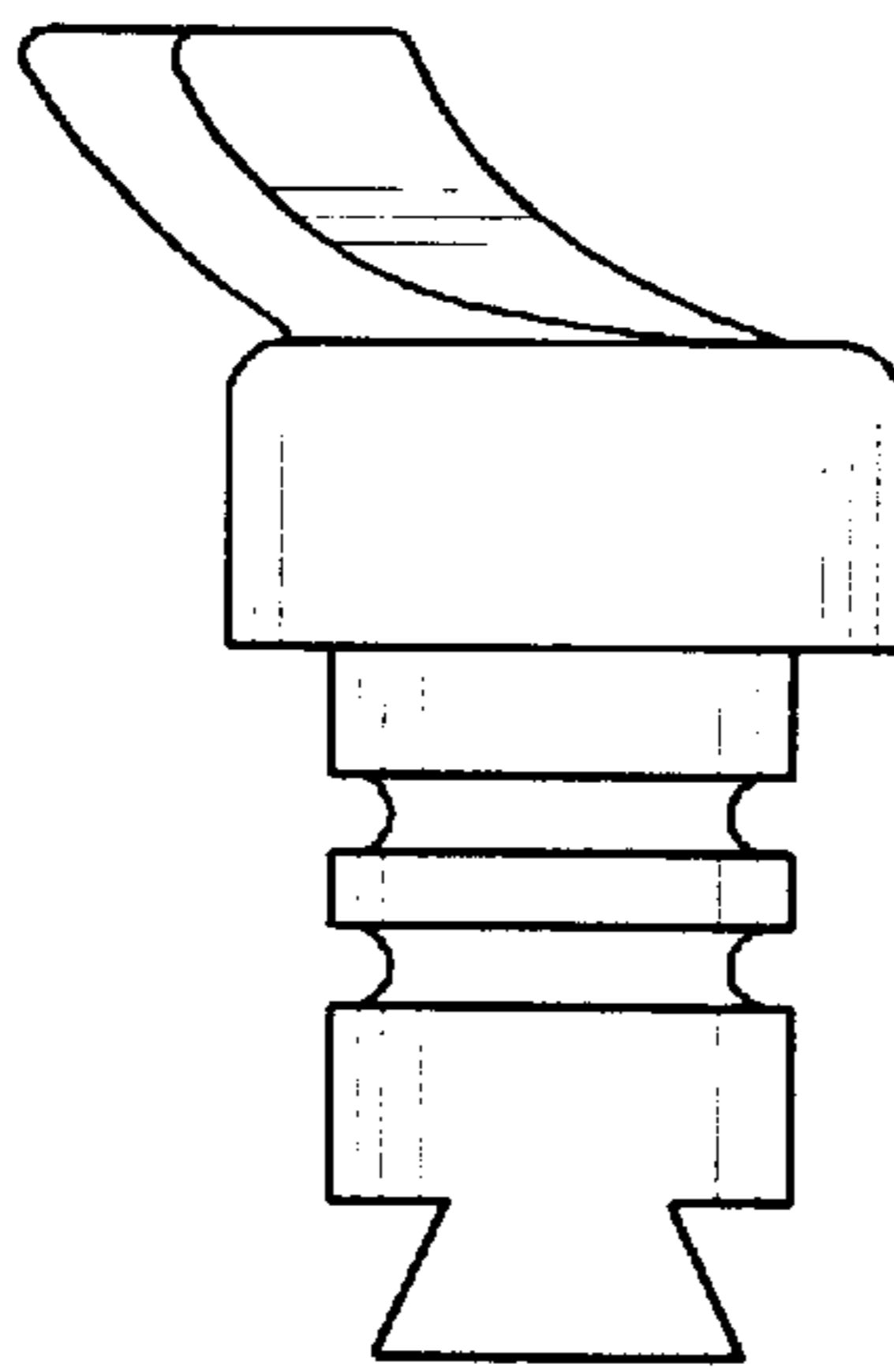


FIG. 5

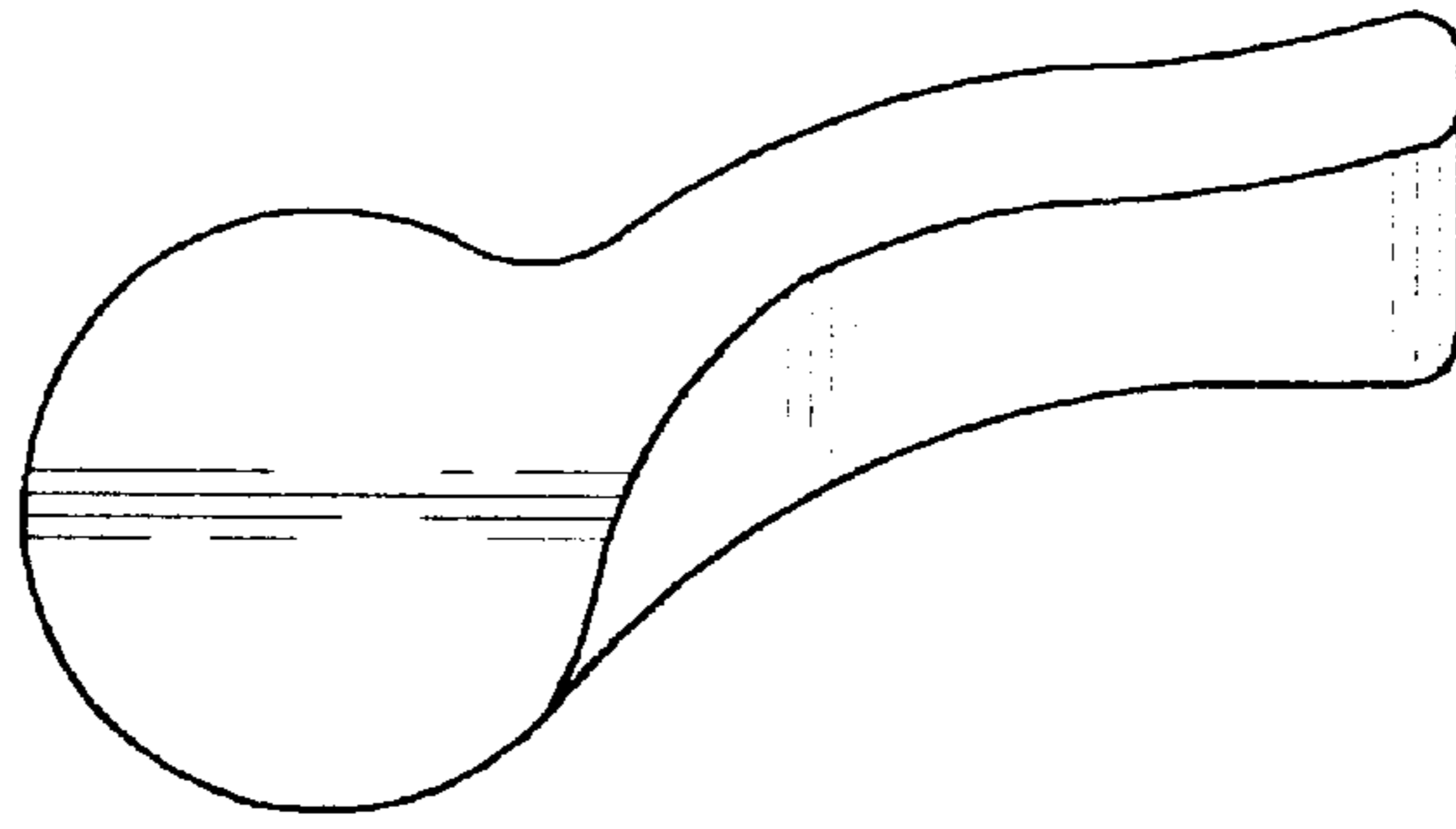


FIG. 6

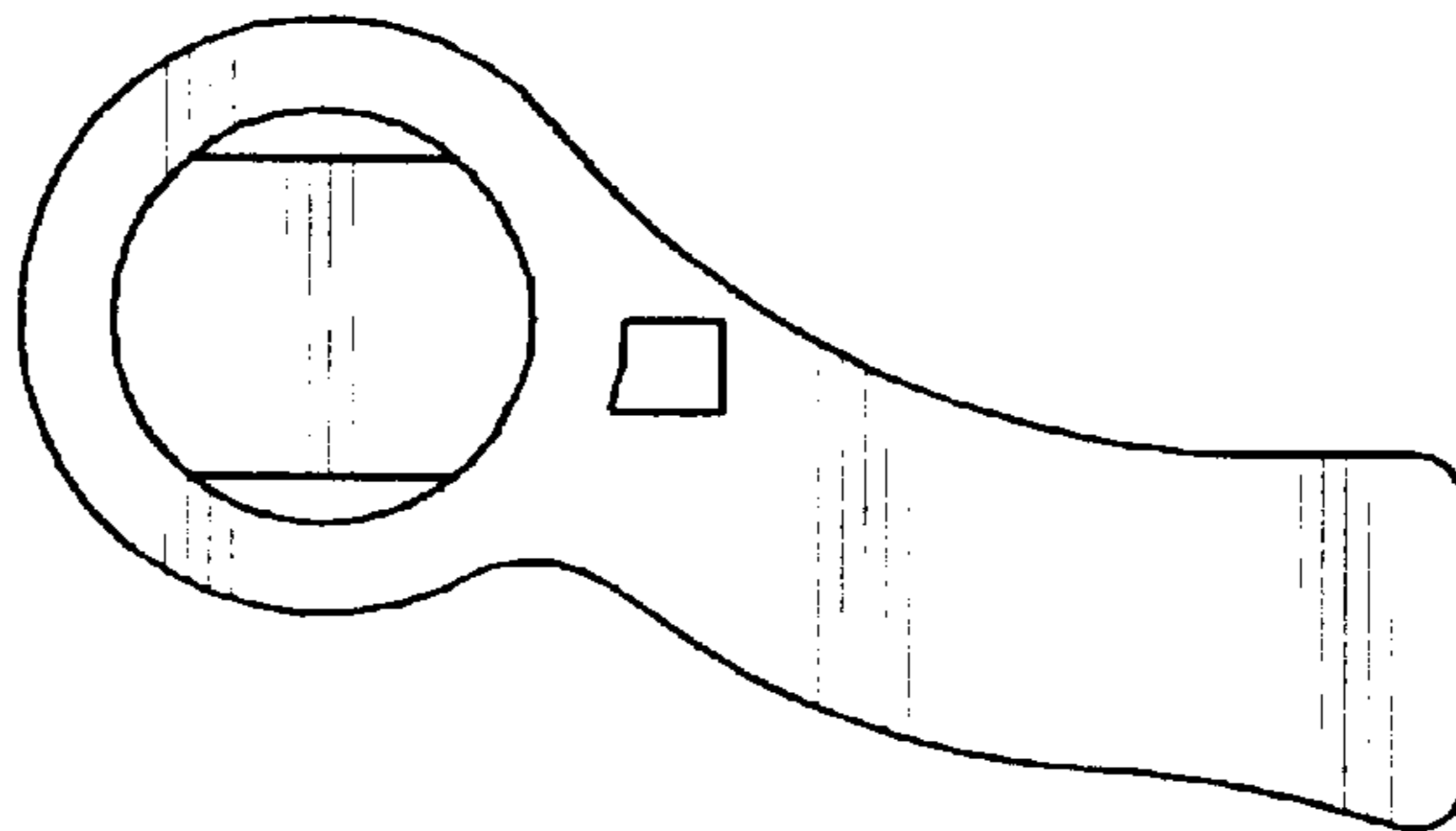


FIG. 7

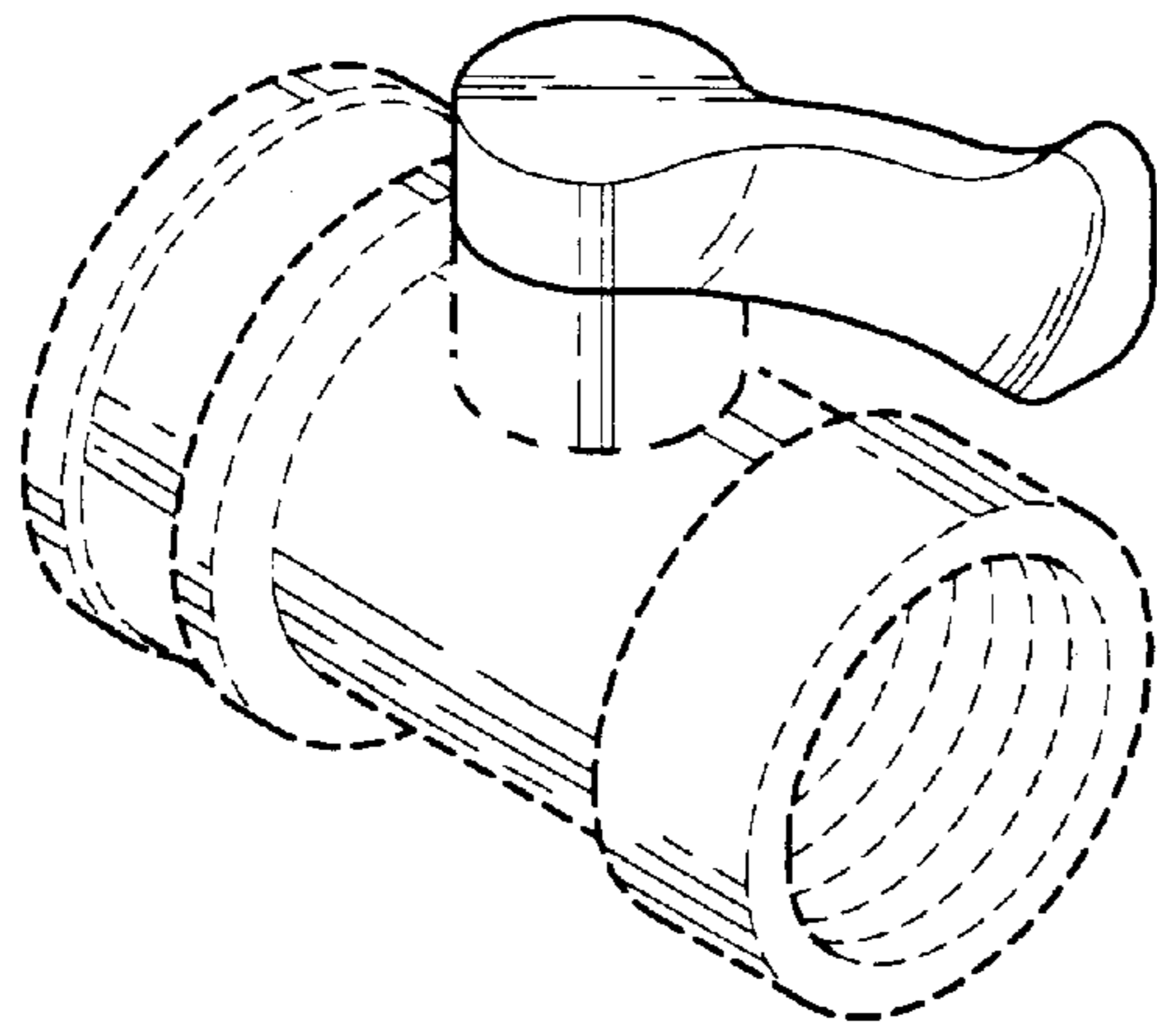


FIG. 8

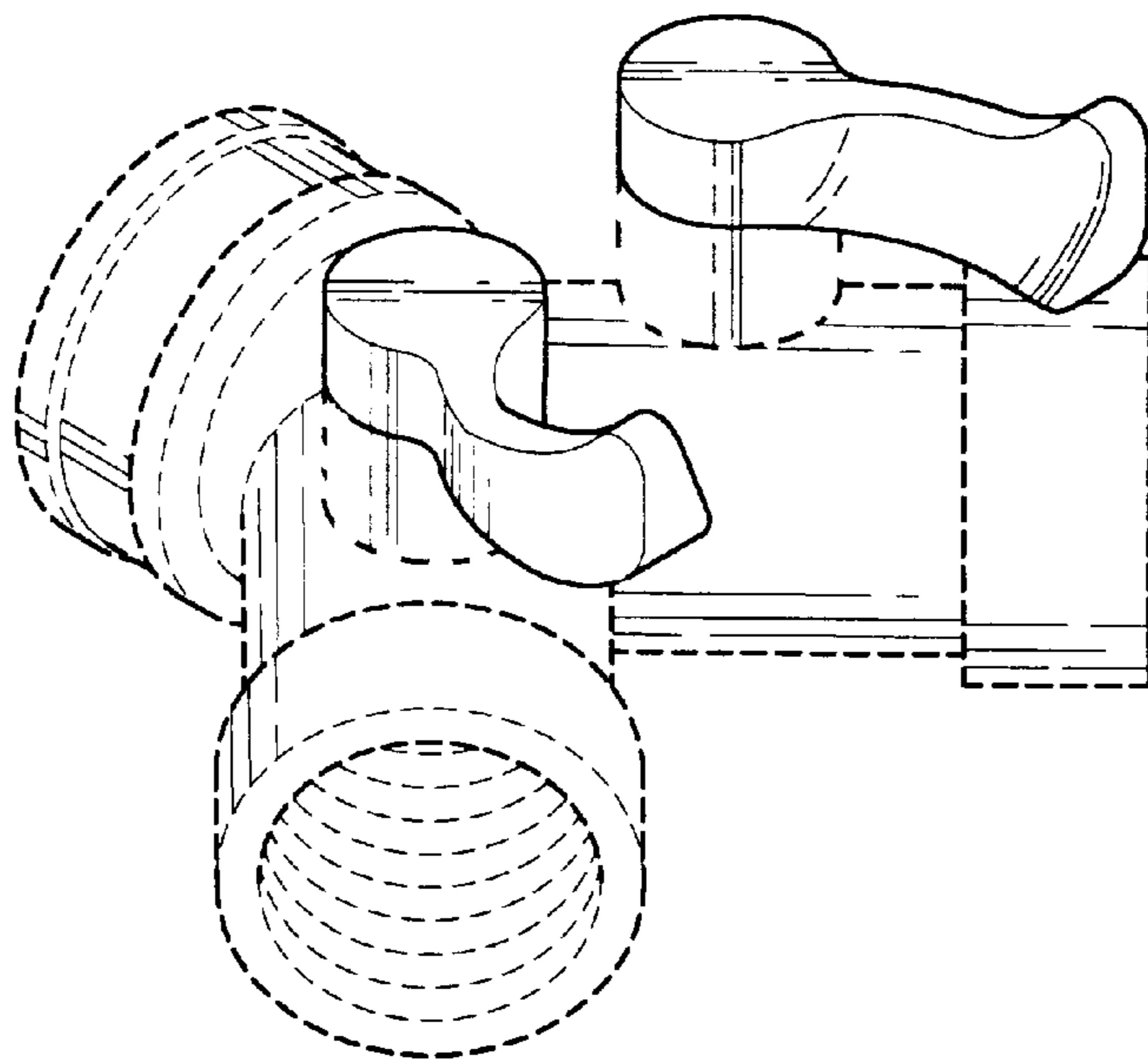


FIG. 9