



US00D459441S

(12) **United States Design Patent**
Hayashi et al.

(10) **Patent No.:** **US D459,441 S**

(45) **Date of Patent:** **** Jun. 25, 2002**

(54) **SOLENOID VALVE**

(75) Inventors: **Bunya Hayashi; Jiro Karasaki**, both of Tsukuba-gun (JP)

(73) Assignee: **SMC Corporation**, Tokyo (JP)

(**) Term: **14 Years**

(21) Appl. No.: **29/142,147**

(22) Filed: **May 21, 2001**

(30) **Foreign Application Priority Data**

Nov. 20, 2000 (JP) 2000-036958

(51) **LOC (7) Cl.** **23-01**

(52) **U.S. Cl.** **D23/233**

(58) **Field of Search** D23/233; 137/884,
137/625.64; 251/129.15

(56) **References Cited**

U.S. PATENT DOCUMENTS

D409,278 S	*	5/1999	Hayashi et al.	D23/233
D410,822 S	*	6/1999	Ancona et al.	D7/638
D414,246 S	*	9/1999	Hayashi et al.	D23/233
D415,255 S	*	10/1999	Hayashi et al.	D23/233
D416,309 S	*	11/1999	Hayashi et al.	D23/233

* cited by examiner

Primary Examiner—Nelson C. Holtje

(74) *Attorney, Agent, or Firm*—Oblon, Spivak, McClelland, Maier & Neustadt, P.C.

(57) **CLAIM**

The ornamental design for a solenoid valve, as shown and described.

DESCRIPTION

FIG. 1 is a front elevational view of a solenoid valve showing our new design;

FIG. 2 is a rear elevational view thereof;

FIG. 3 is a right side elevational view thereof;

FIG. 4 is a left side elevational view thereof;

FIG. 5 is a top plan view thereof;

FIG. 6 is a bottom plan view thereof;

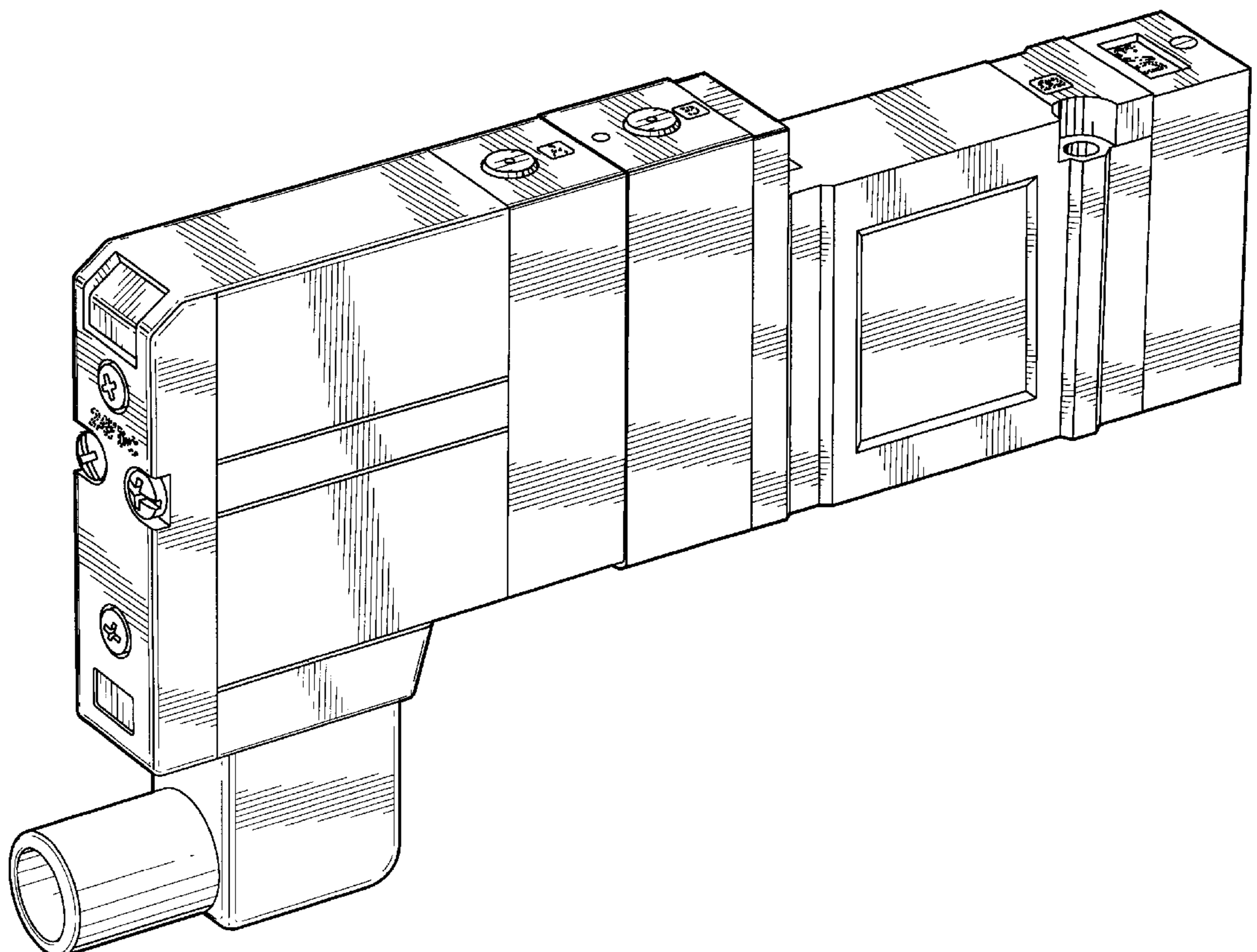
FIG. 7 is a top, front and right side perspective view thereof;

FIG. 8 is a rear, bottom and left side perspective view thereof; and,

FIG. 9 is a top, front and right side perspective view thereof shown when in use with a cord.

The broken line showings of indicia are environmental only and form no part of the claimed design.

1 Claim, 7 Drawing Sheets



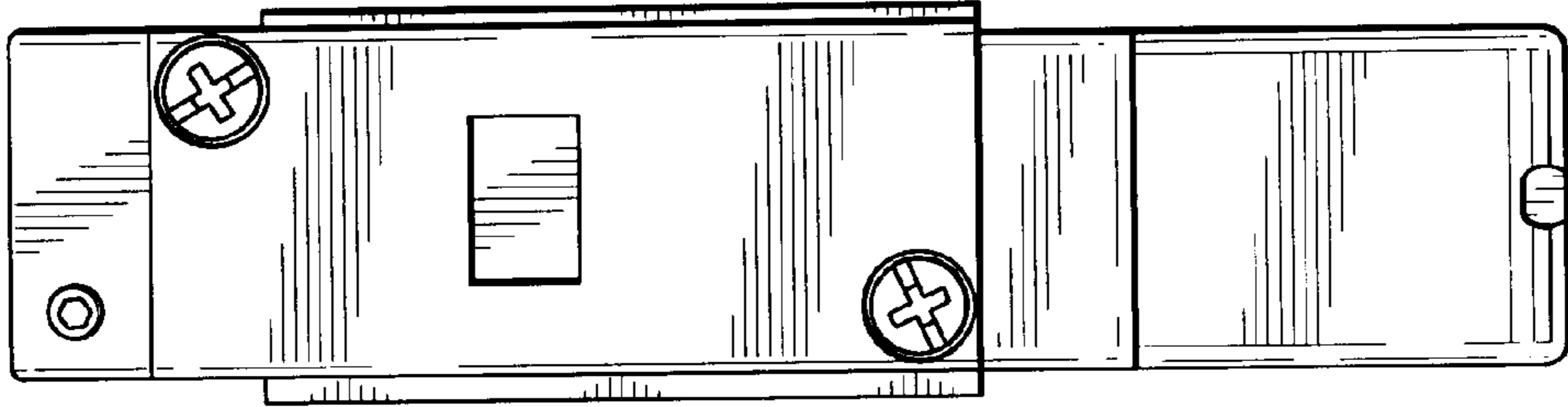


FIG. 2

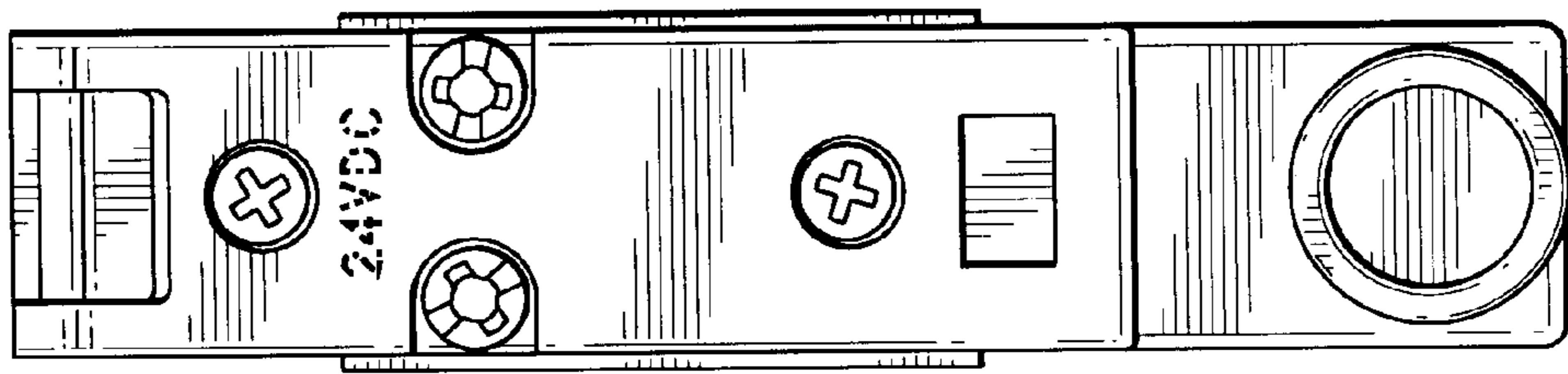


FIG. 1

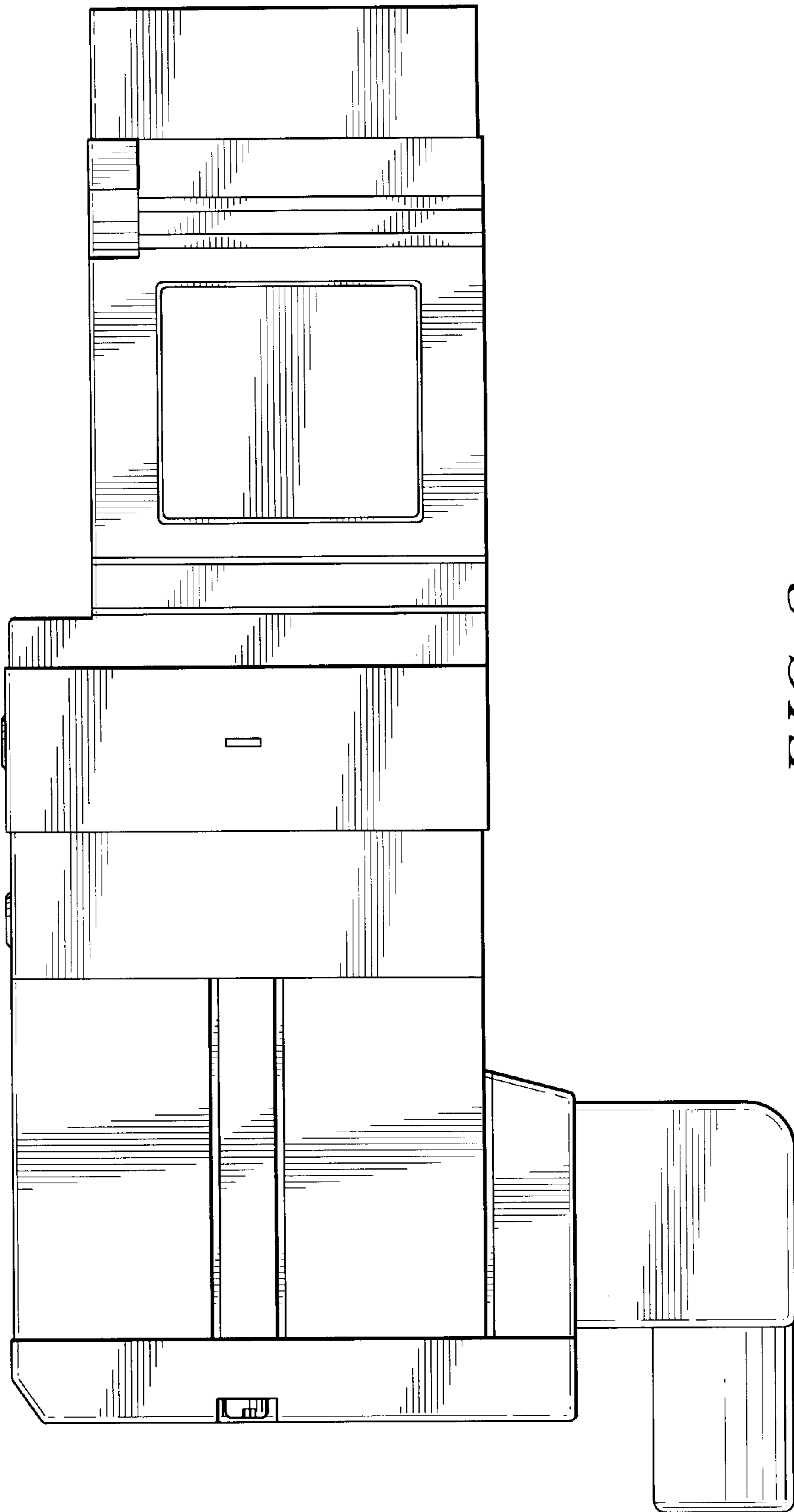


FIG. 3

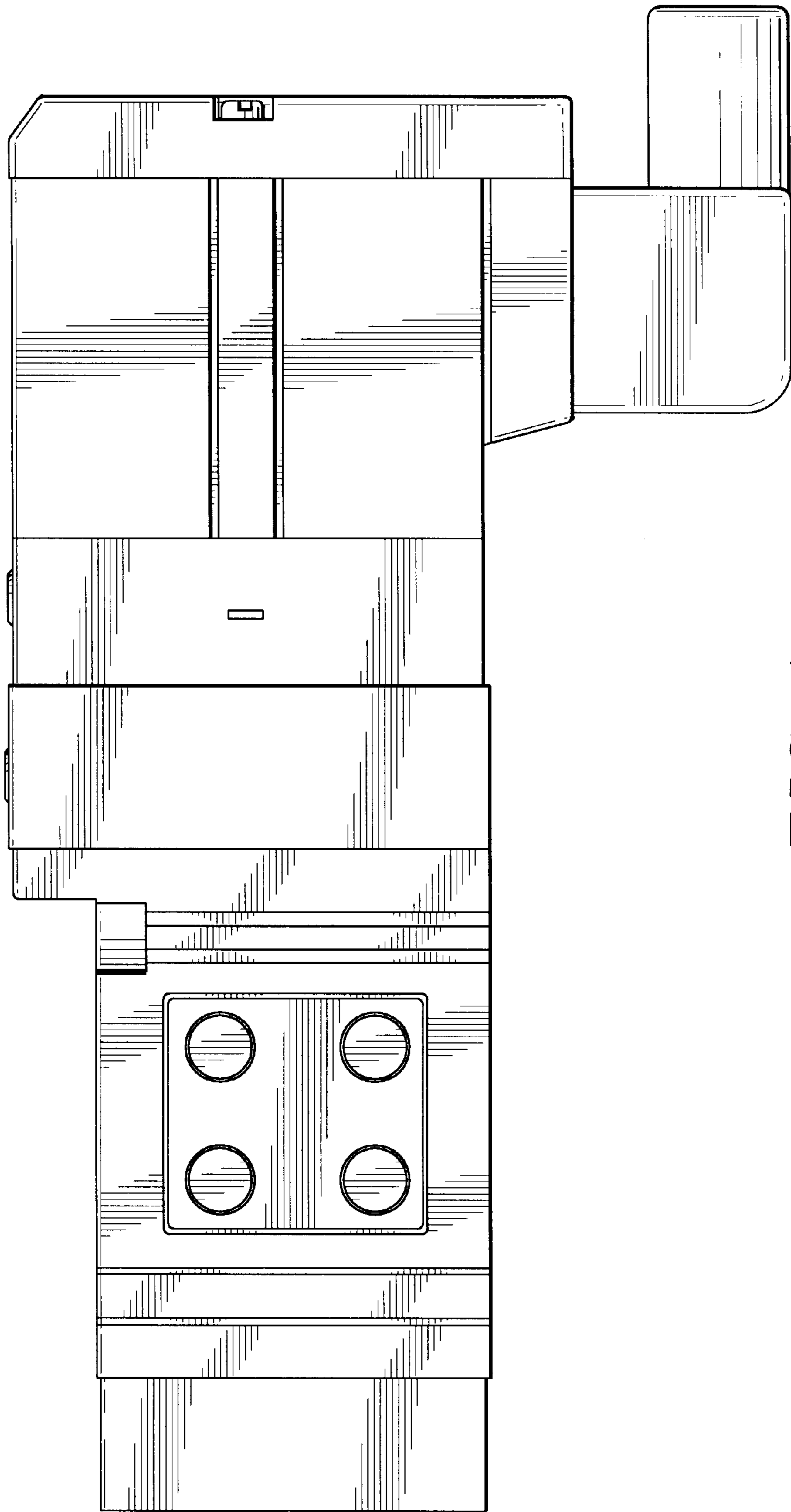


FIG. 4

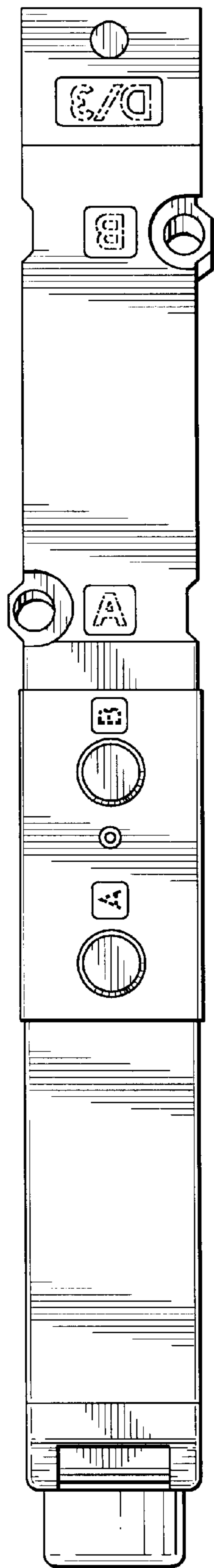


FIG. 5

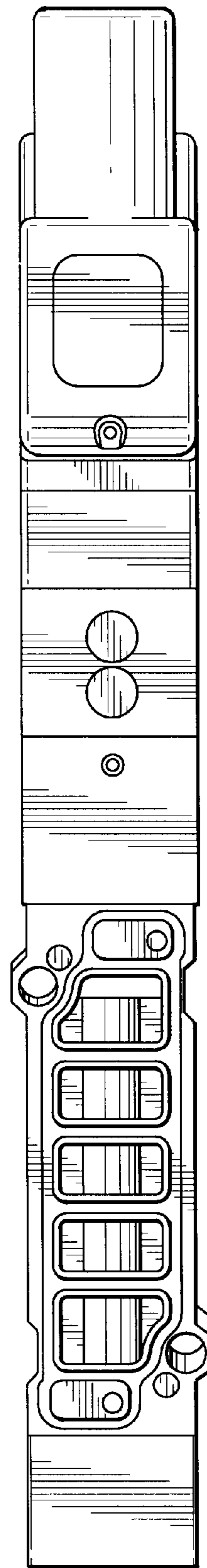


FIG. 6

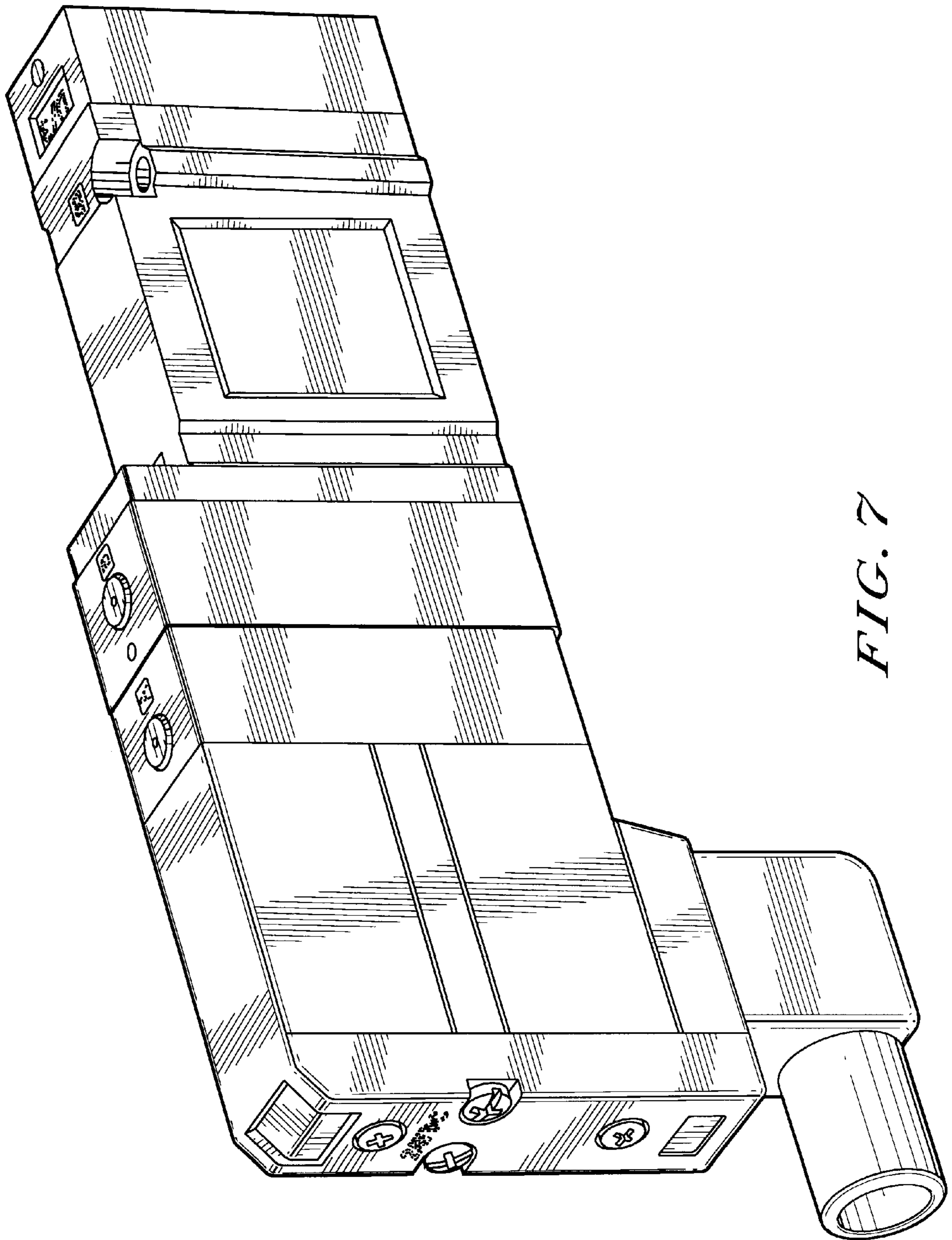


FIG. 7

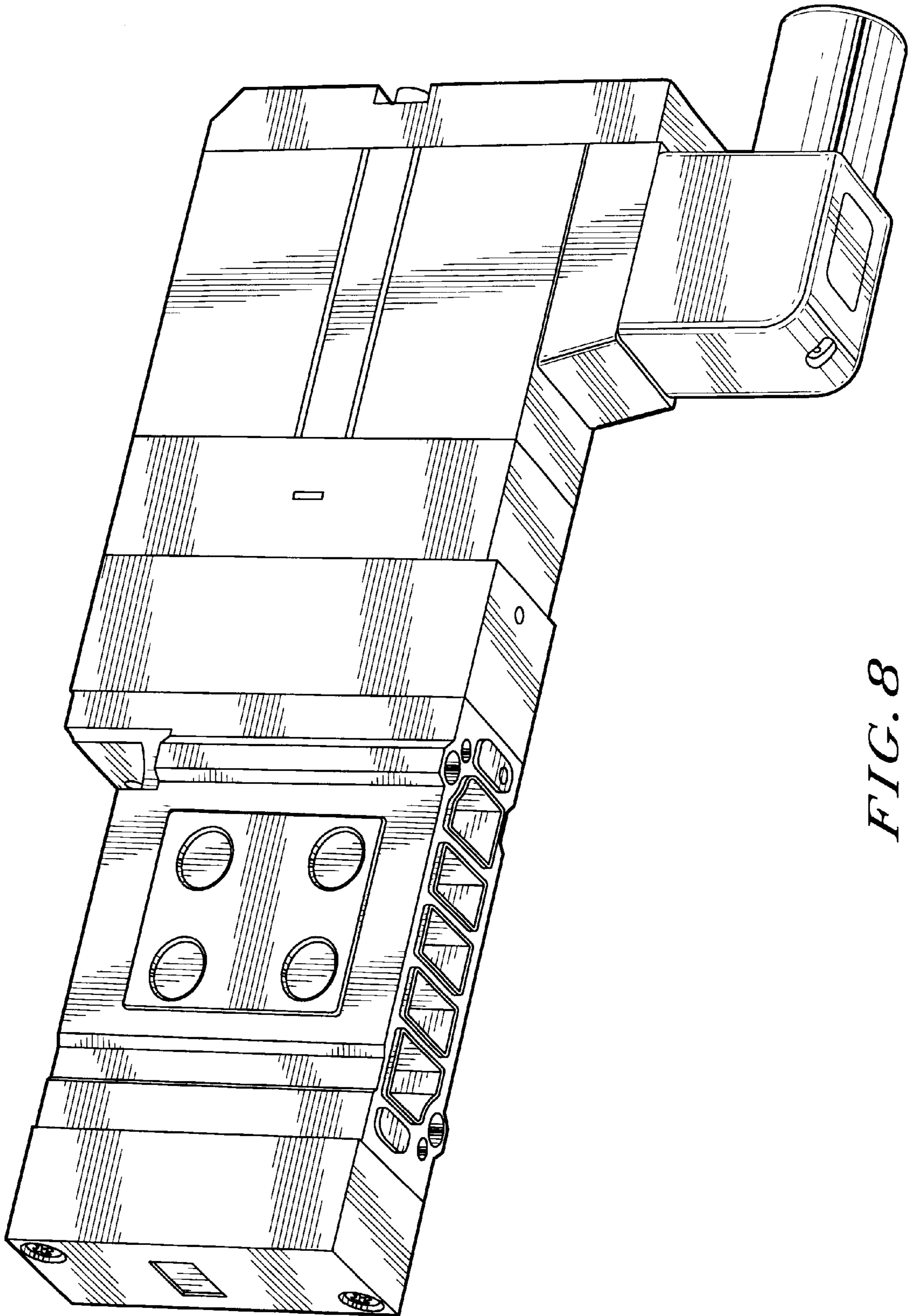


FIG. 8

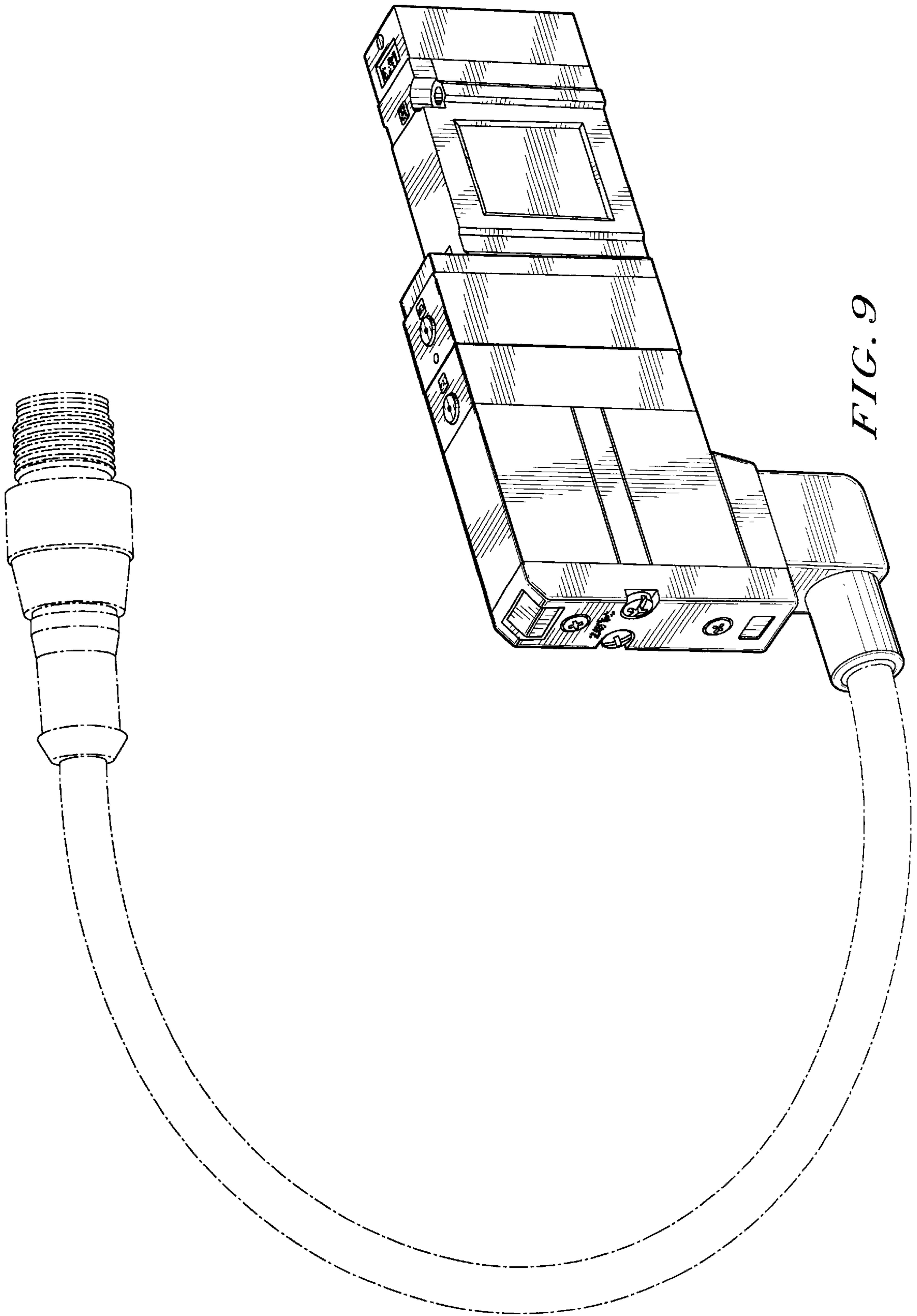


FIG. 9