



US00D459438S

(12) **United States Design Patent**
Knowles

(10) **Patent No.:** **US D459,438 S**

(45) **Date of Patent:** **** Jun. 25, 2002**

(54) **FLUID INJECTOR**

(75) Inventor: **Steven M. Knowles**, Silver Lake, IN (US)

(73) Assignee: **Bright Solutions, INC**, Troy, MI (US)

(**) Term: **14 Years**

(21) Appl. No.: **29/144,603**

(22) Filed: **Jul. 9, 2001**

(51) **LOC (7) Cl.** **23-01**

(52) **U.S. Cl.** **D23/225**

(58) **Field of Search** D23/213, 225;
D8/2; 239/302, 308, 310, 316, 318

(56) **References Cited**

U.S. PATENT DOCUMENTS

1,926,399	A	9/1933	Nielsen	
4,491,254	A	* 1/1985	Viets et al.	239/318
D287,394	S	* 12/1986	Yamamoto	D23/225
5,027,605	A	7/1991	Hardesty	
D378,121	S	* 2/1997	Luzeler et al.	D23/225
6,155,066	A	12/2000	Chandler et al.	
6,196,016	B1	3/2001	Knowles et al.	

* cited by examiner

Primary Examiner—Robin V. Taylor

(74) *Attorney, Agent, or Firm*—Fish & Richardson P.C.

(57) **CLAIM**

The ornamental design for a fluid injector, as shown and described.

DESCRIPTION

FIG. 1 is a front perspective view of a fluid injector showing the new Design.

FIG. 2 is a side view of the design with an 8 fluid ounce container.

FIG. 3 is another side view of the design with an 8 fluid ounce container.

FIG. 4 is a front plan view of the design with an 8 fluid ounce container.

FIG. 5 is a rear plan view of the design with an 8 fluid ounce container.

FIG. 6 is a top plan view of the design with an 8 fluid ounce container.

FIG. 7 is a bottom plan view of the design with an 8 fluid ounce container.

FIG. 8 is another front perspective view of the design with an 8 fluid ounce container.

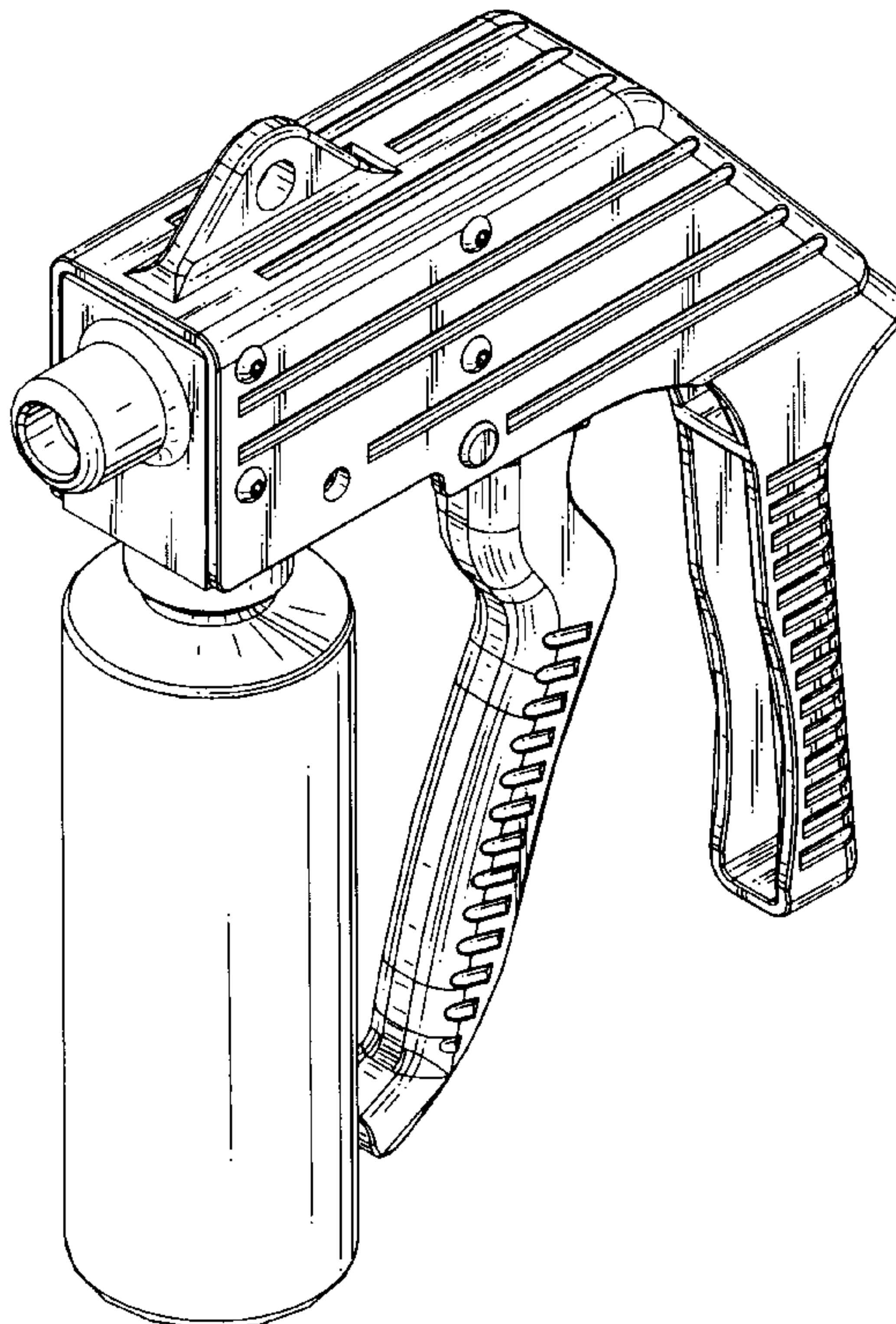
FIG. 9 is a side view of the design with a 4 fluid ounce container.

FIG. 10 is another side view of the design with a 4 fluid ounce container.

FIG. 11 is a side view of the design with a 2 fluid ounce container; and,

FIG. 12 is a side view of the design with a 2 fluid ounce container.

1 Claim, 12 Drawing Sheets



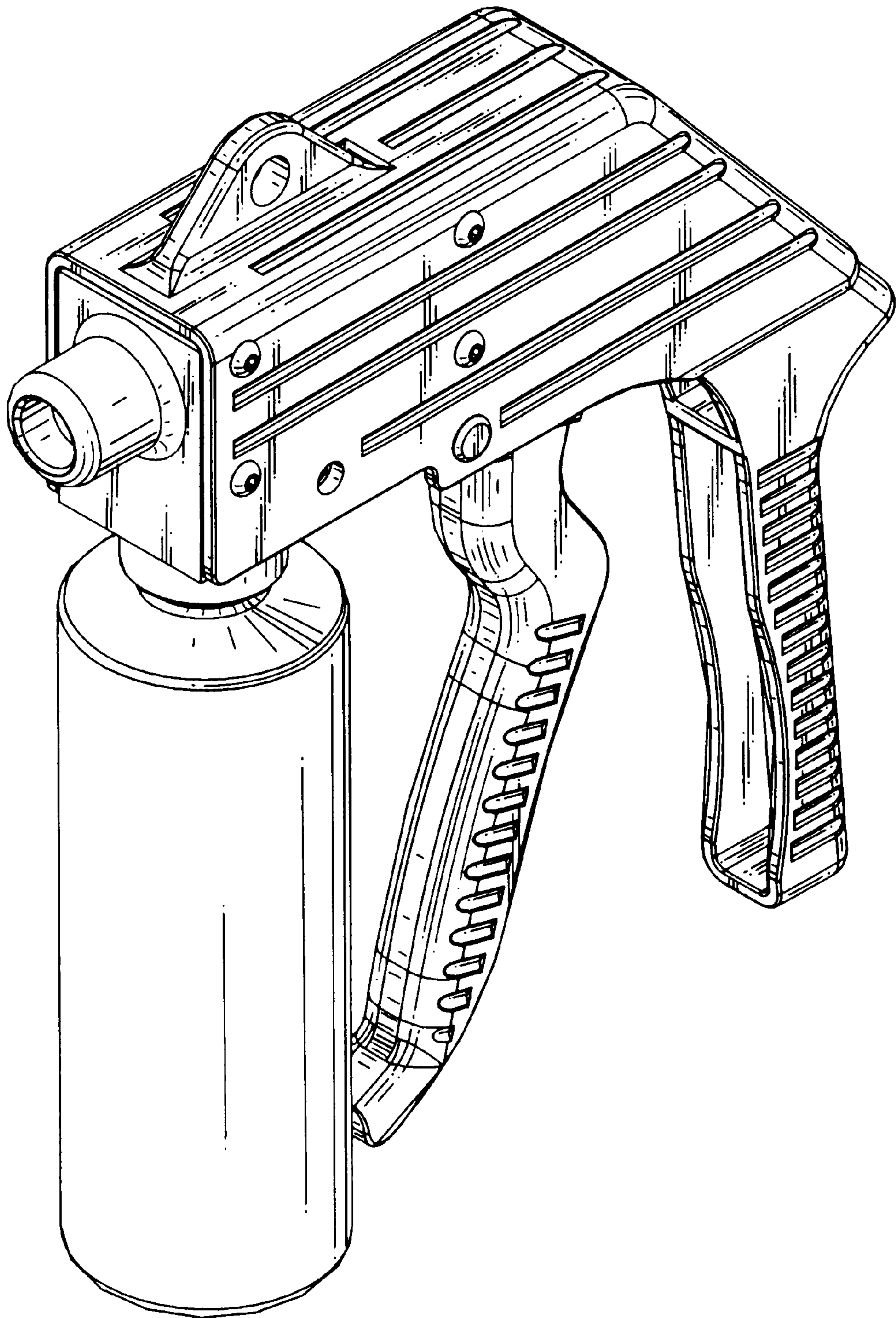


FIG. 1

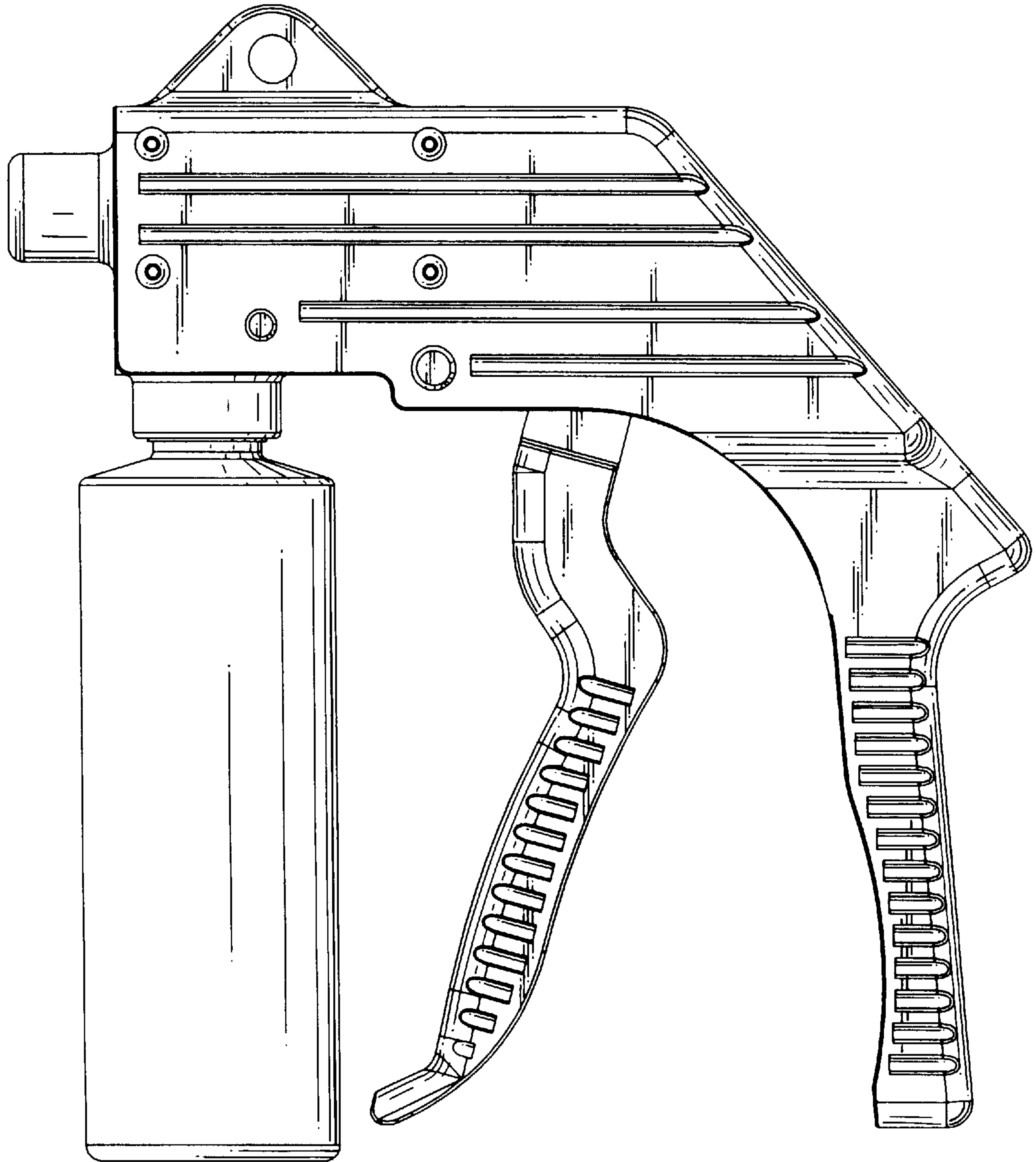


FIG. 2

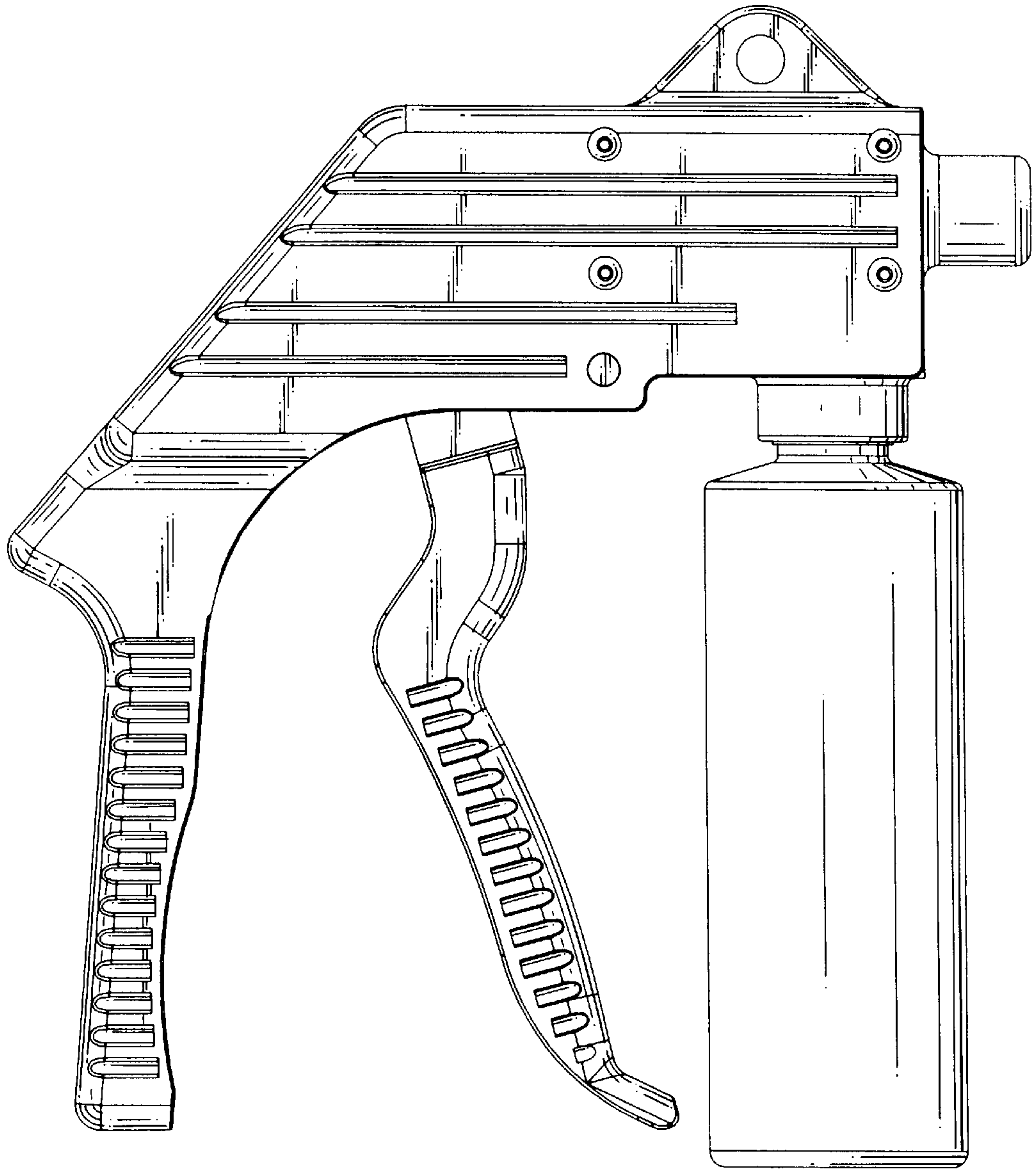


FIG. 3

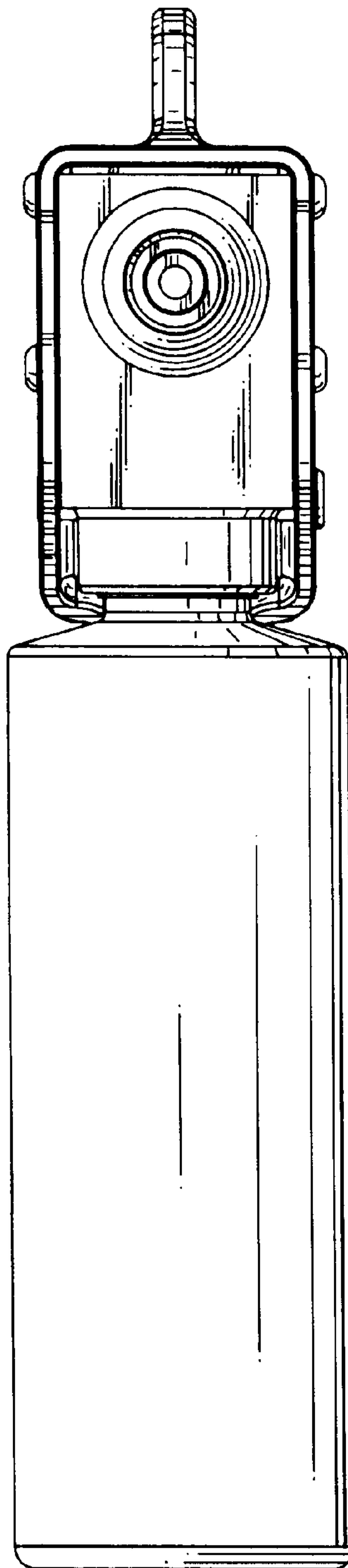


FIG. 4

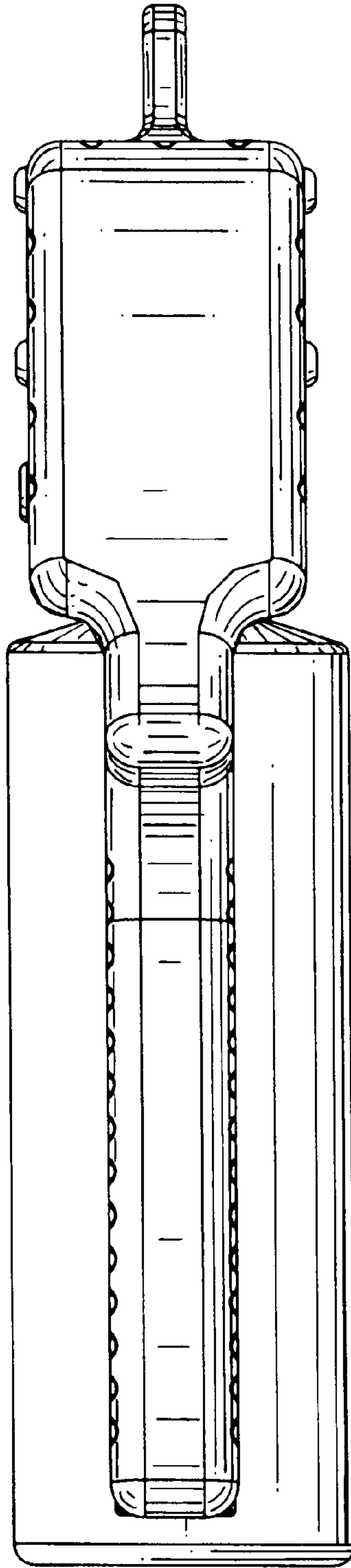


FIG. 5

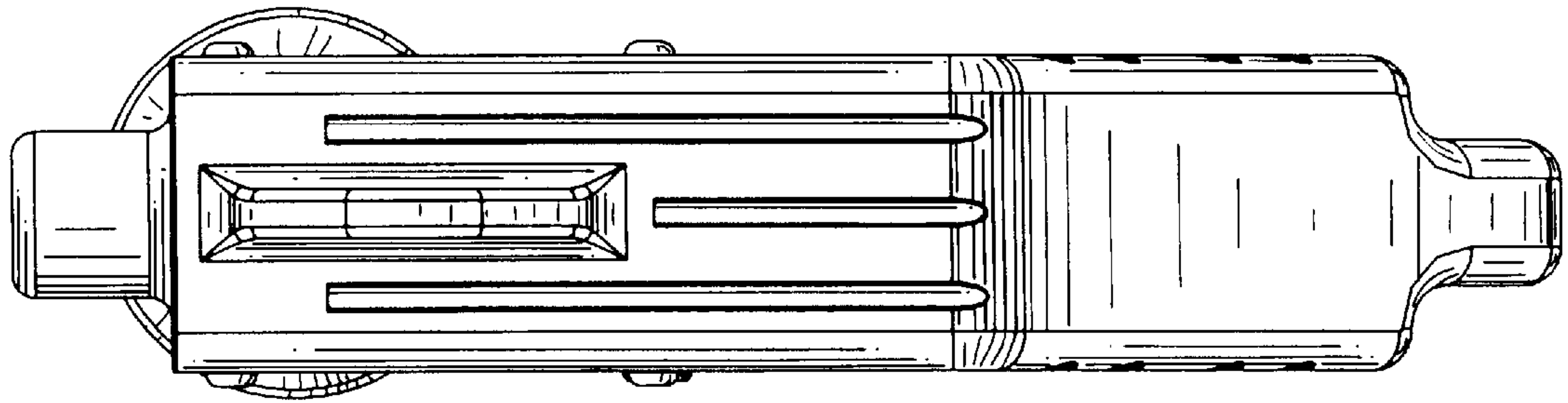


FIG. 6

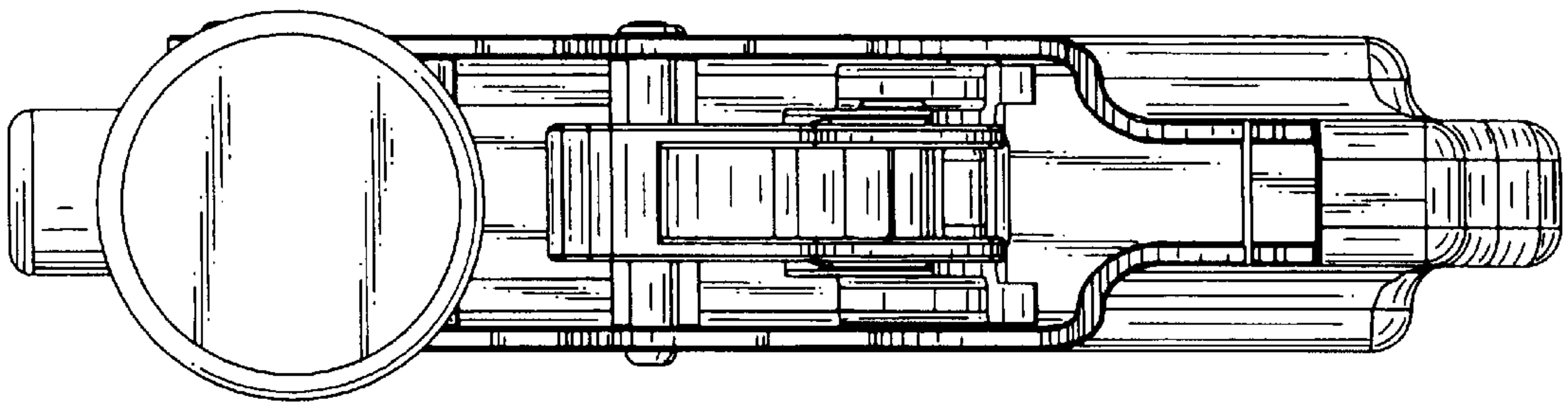


FIG. 7

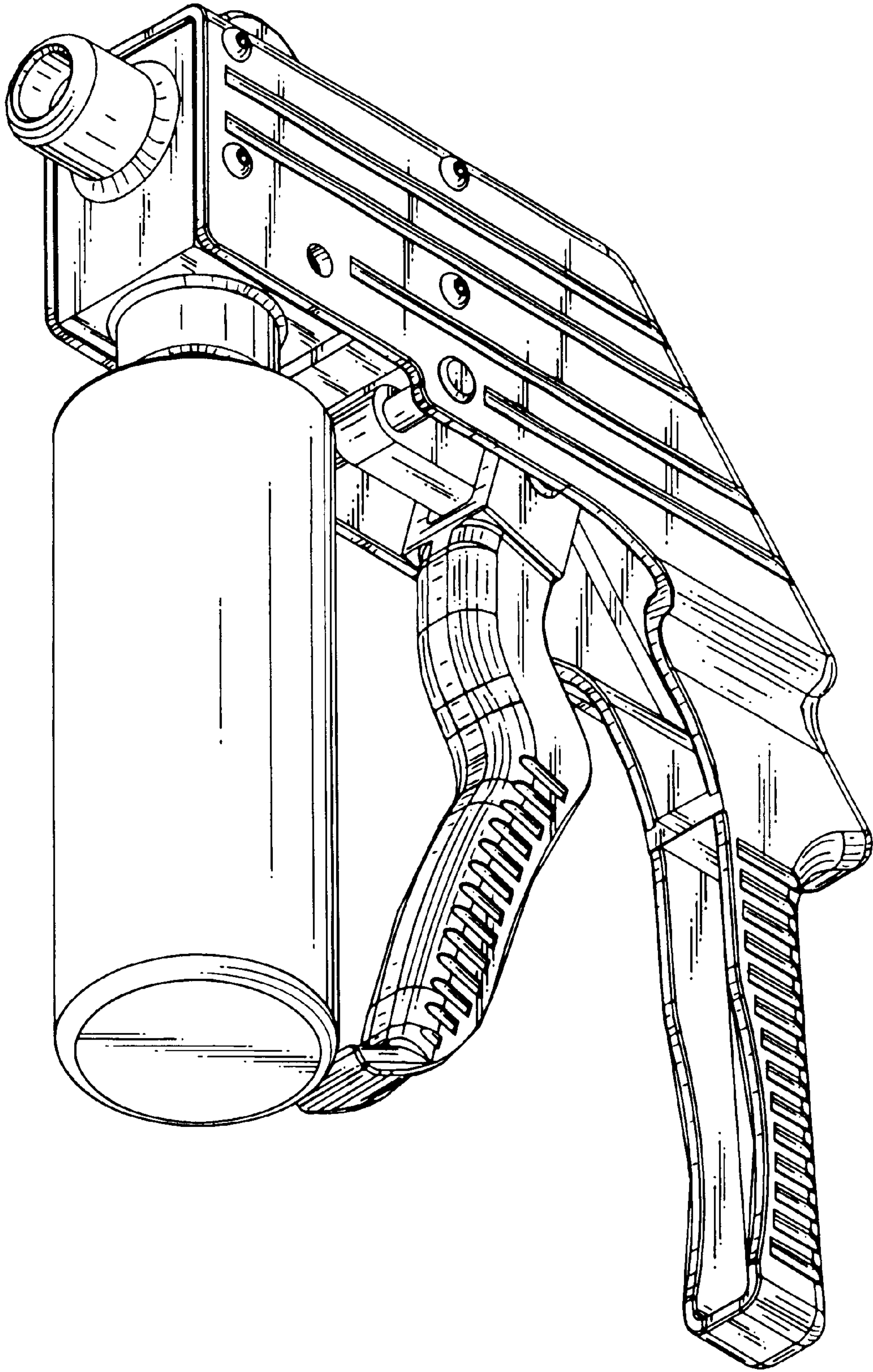


FIG. 8

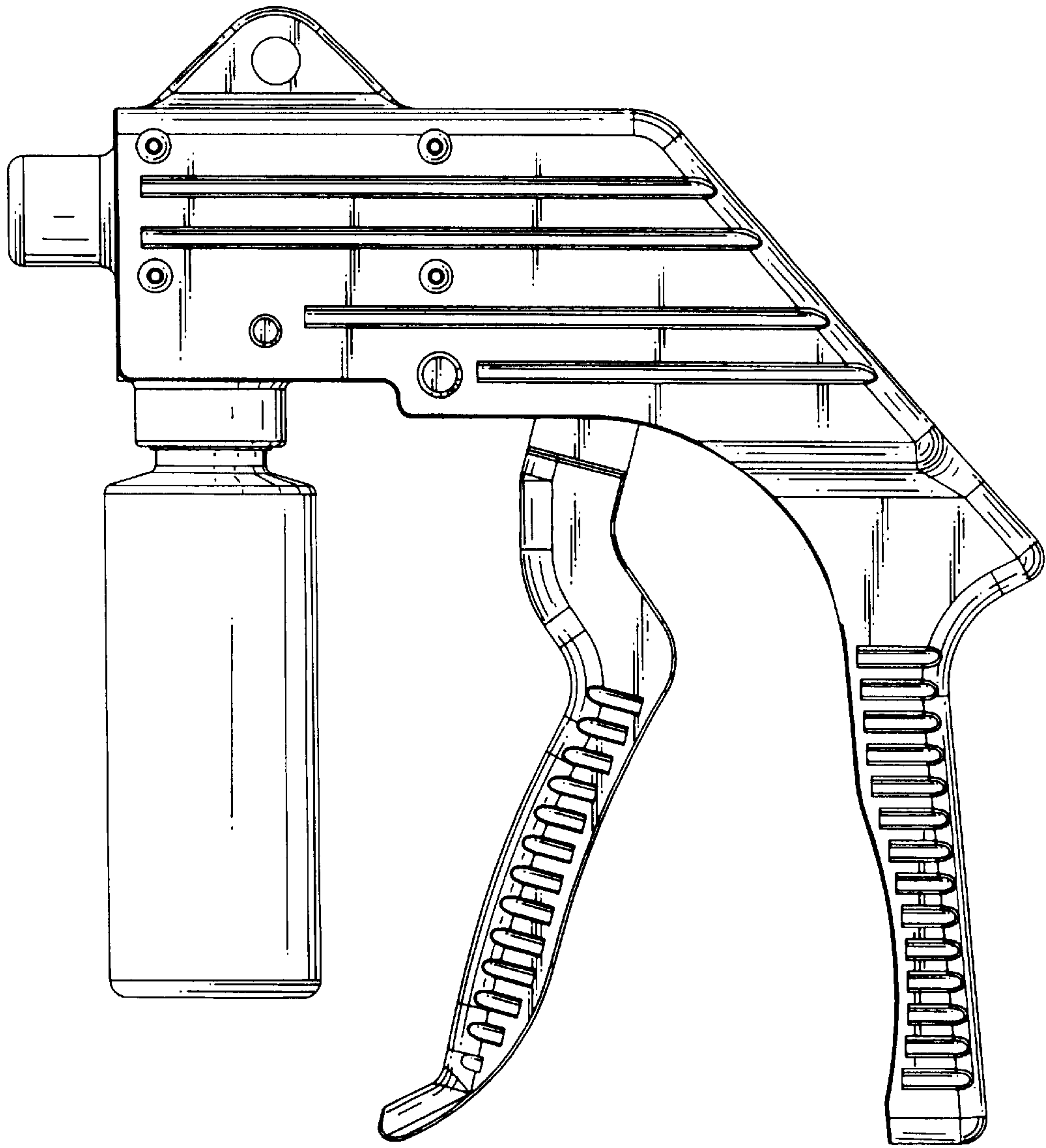


FIG. 9

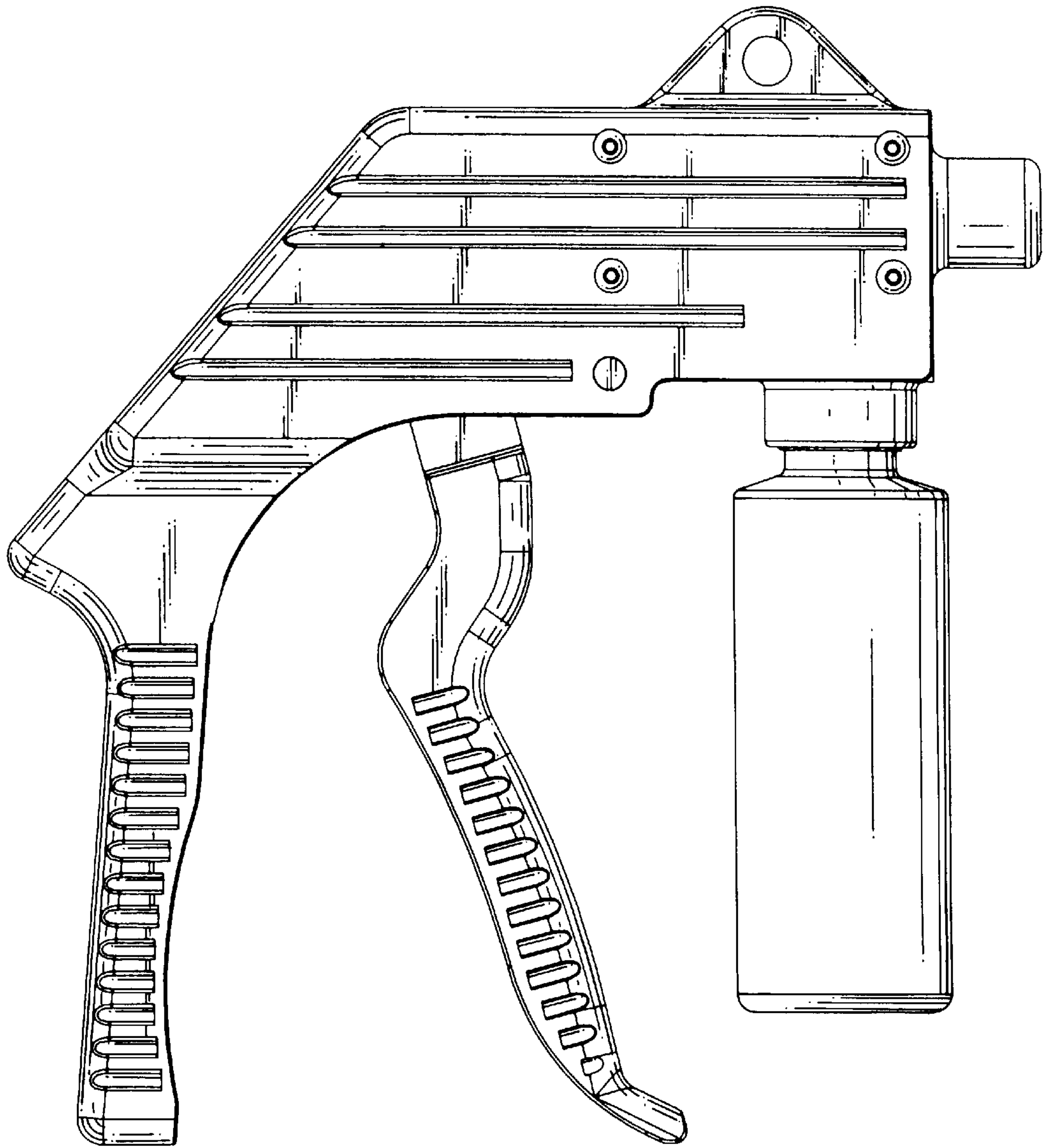


FIG. 10

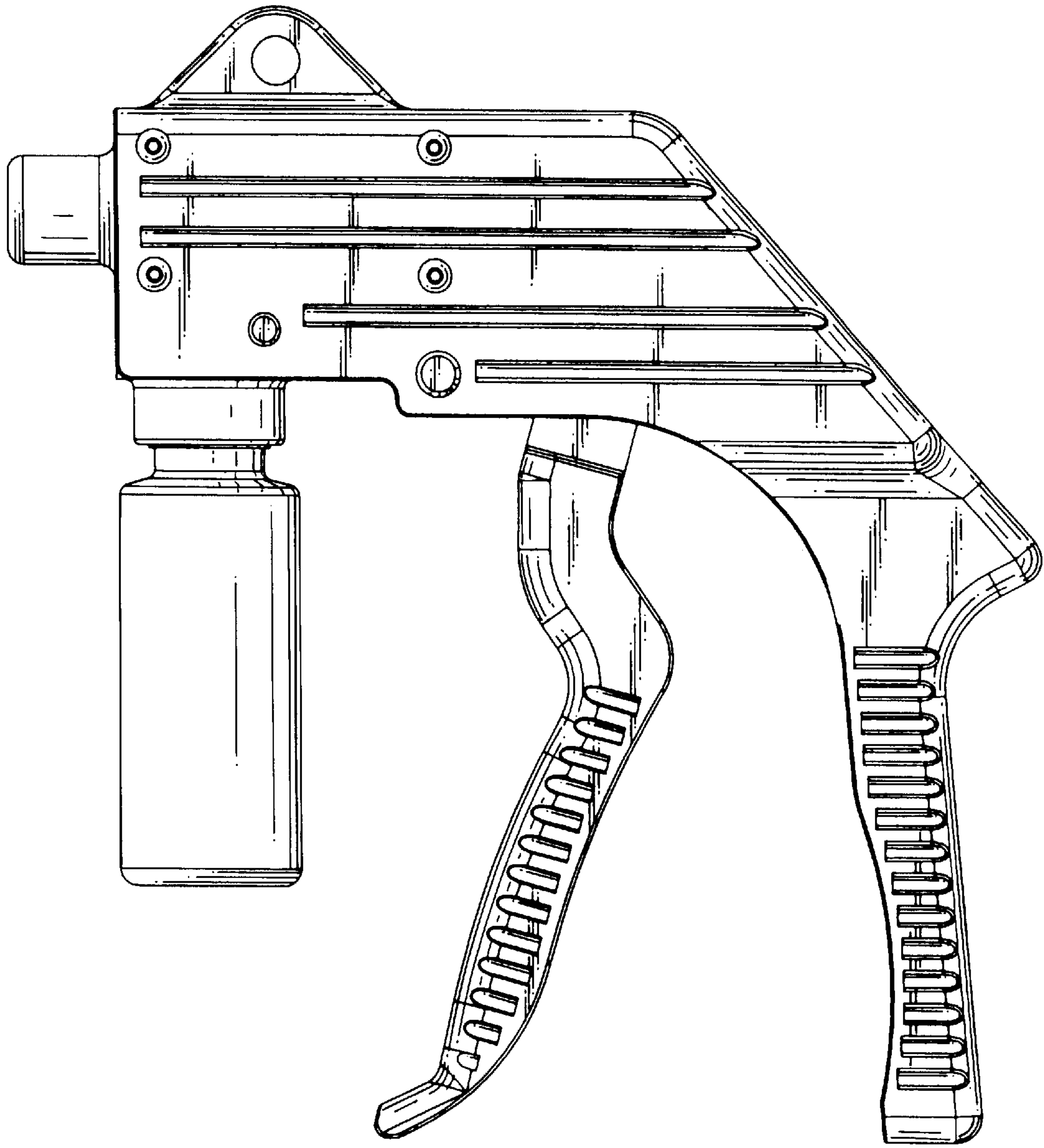


FIG. 11

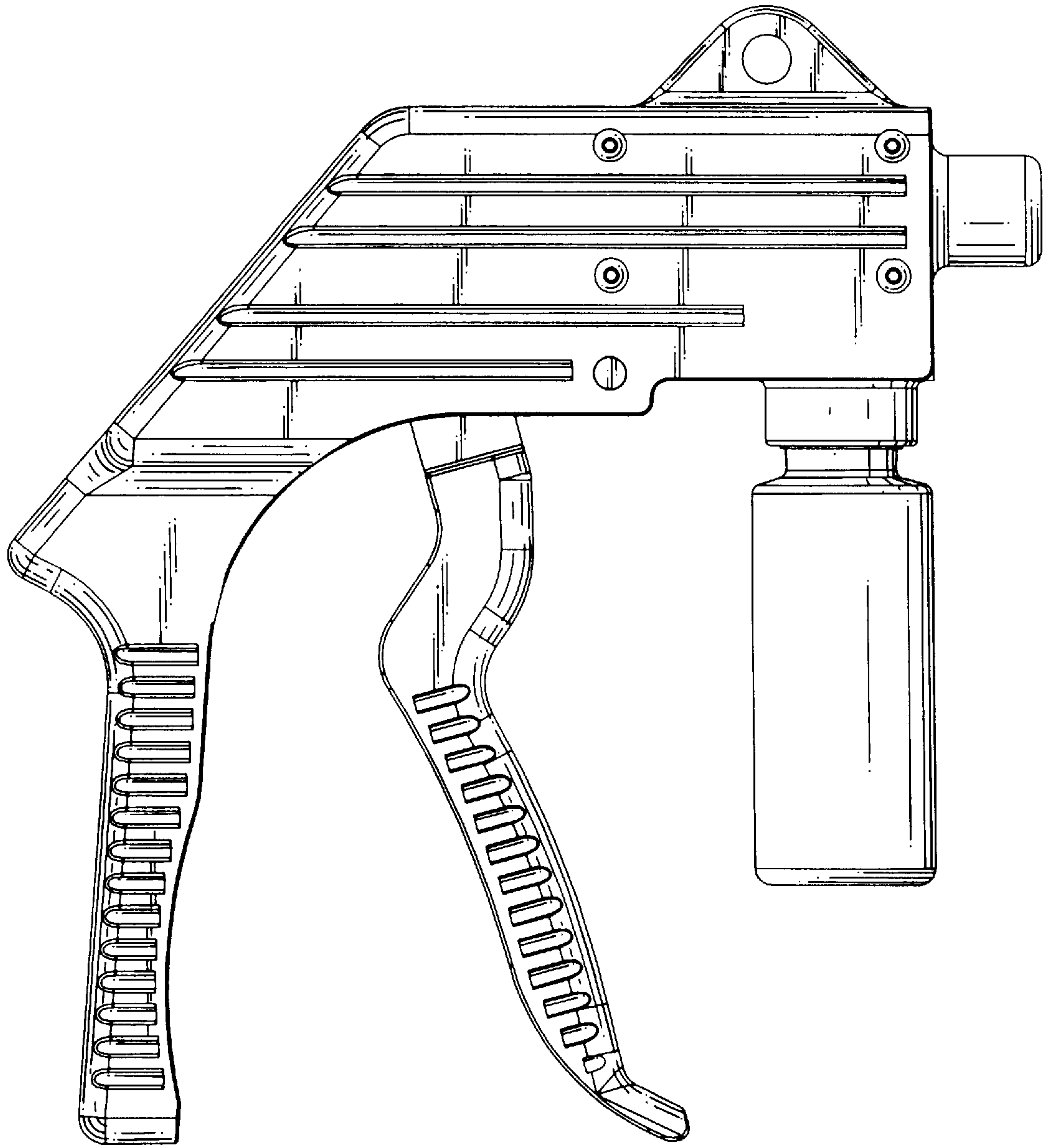


FIG. 12