



US00D459436S

(12) **United States Design Patent**
Chao

(10) **Patent No.:** **US D459,436 S**

(45) **Date of Patent:** **** Jun. 25, 2002**

(54) **WATER SPRINKLING DEVICE**

D447,537 S * 9/2001 Chao D23/216

(76) **Inventor:** **Hui-Chen Chao**, 75, Liao Tsuo Hsiang,
Liao Tsuo Li, Lu Kang Chen, Chang
Hua Hsien (TW)

* cited by examiner

Primary Examiner—Robin V. Taylor
(74) *Attorney, Agent, or Firm*—Harrison & Egbert

(**) **Term:** **14 Years**

(57) **CLAIM**

(21) **Appl. No.:** **29/144,868**

I claim the ornamental design for a water sprinkling device,
as shown and described.

(22) **Filed:** **Jul. 13, 2001**

(51) **LOC (7) Cl.** **23-01**

(52) **U.S. Cl.** **D23/216**

(58) **Field of Search** D23/213, 214,
D23/215, 216; 239/240–242

DESCRIPTION

FIG. 1 is an upper perspective view of the water sprinkling
device showing my design.

FIG. 2 is a side view thereof;

FIG. 3 is an opposite side view thereof;

FIG. 4 is a front view thereof;

FIG. 5 is a back view thereof;

FIG. 6 is a top view thereof; and,

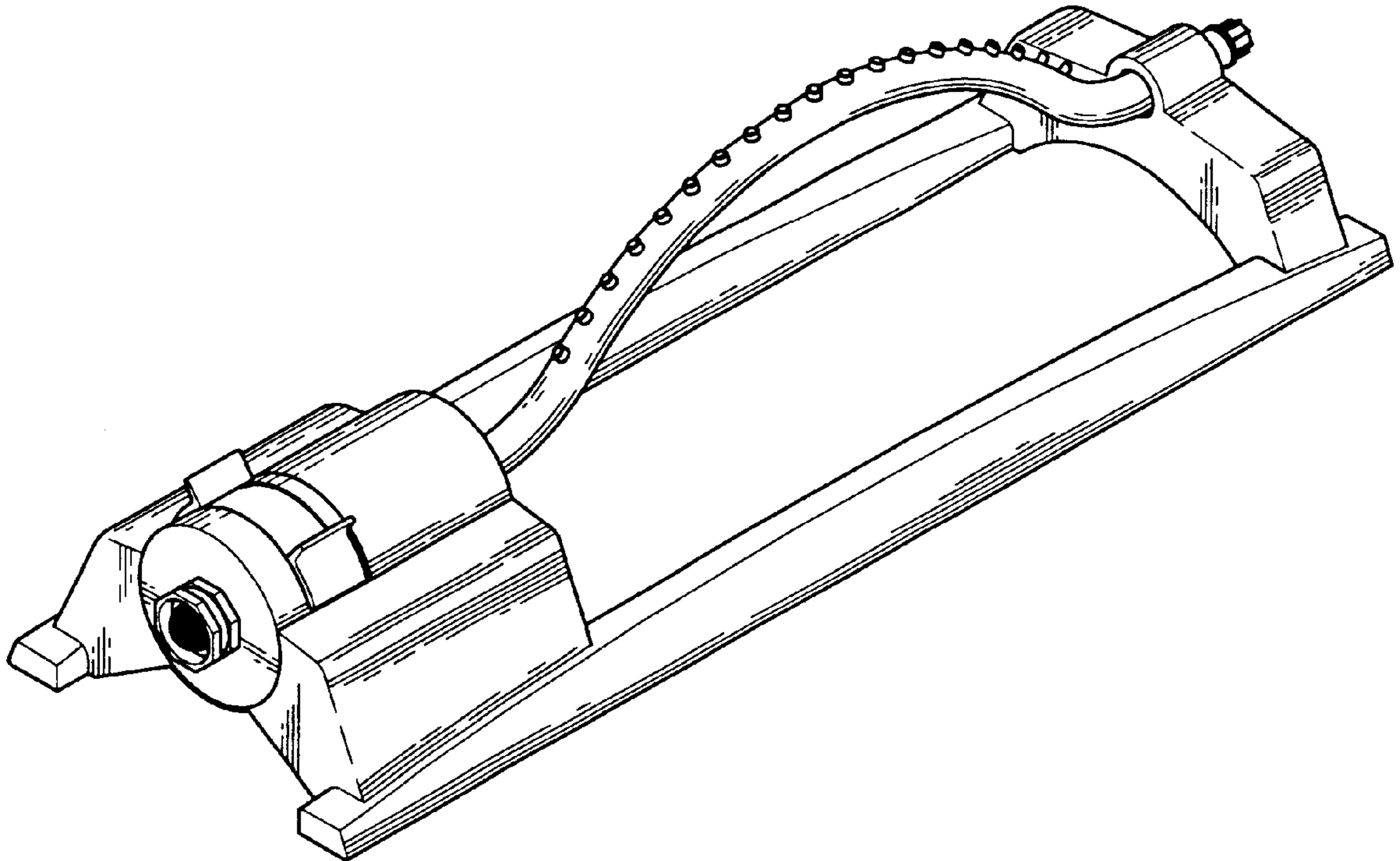
FIG. 7 is a bottom view thereof.

(56) **References Cited**

U.S. PATENT DOCUMENTS

5,350,115	A	*	9/1994	Burnworth et al.	239/242
D366,308	S	*	1/1996	Goodman et al.	D23/216
D403,744	S	*	1/1999	Hsueh	D23/216
D440,629	S	*	4/2001	Guo	D23/216

1 Claim, 4 Drawing Sheets



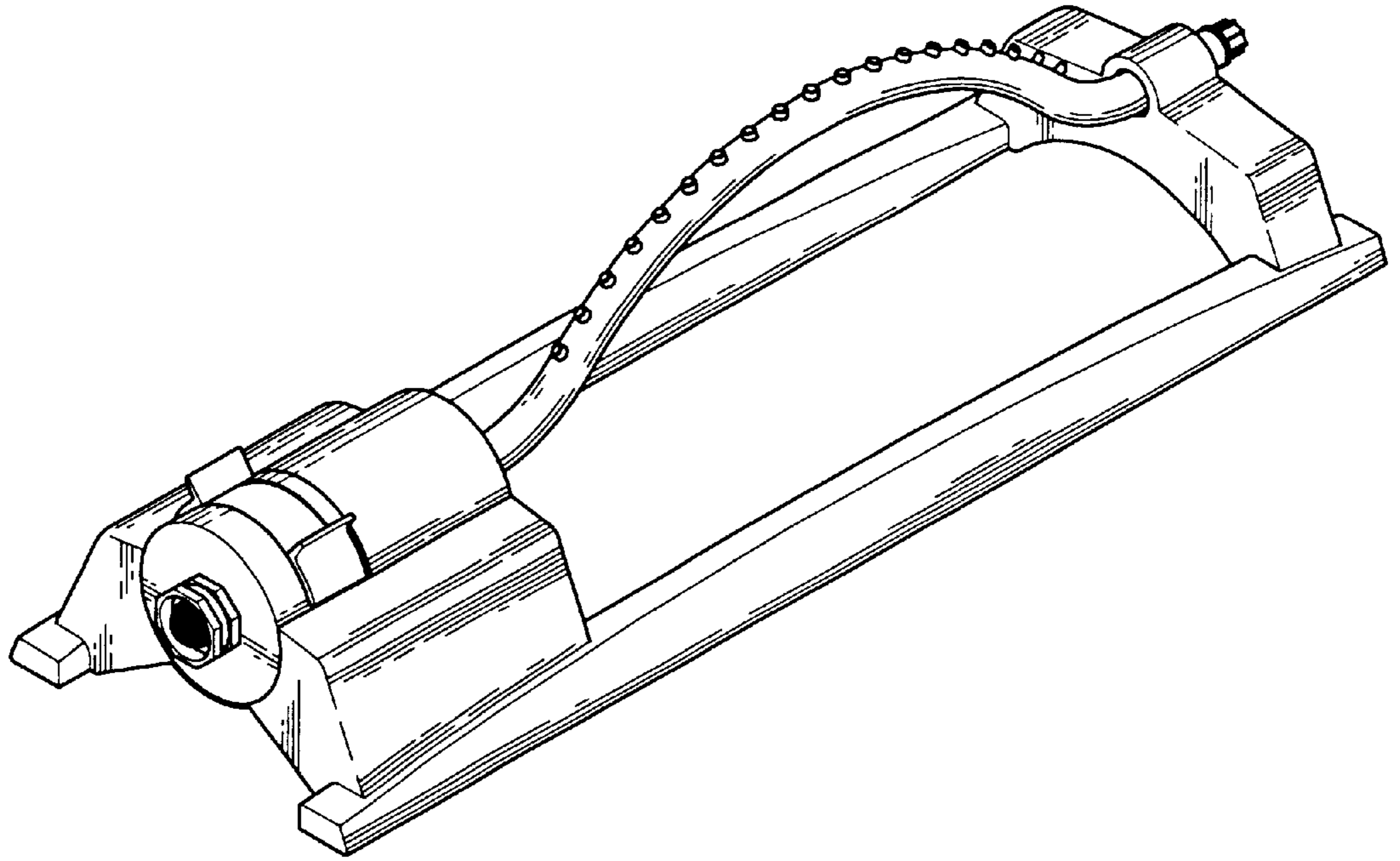


FIG.1

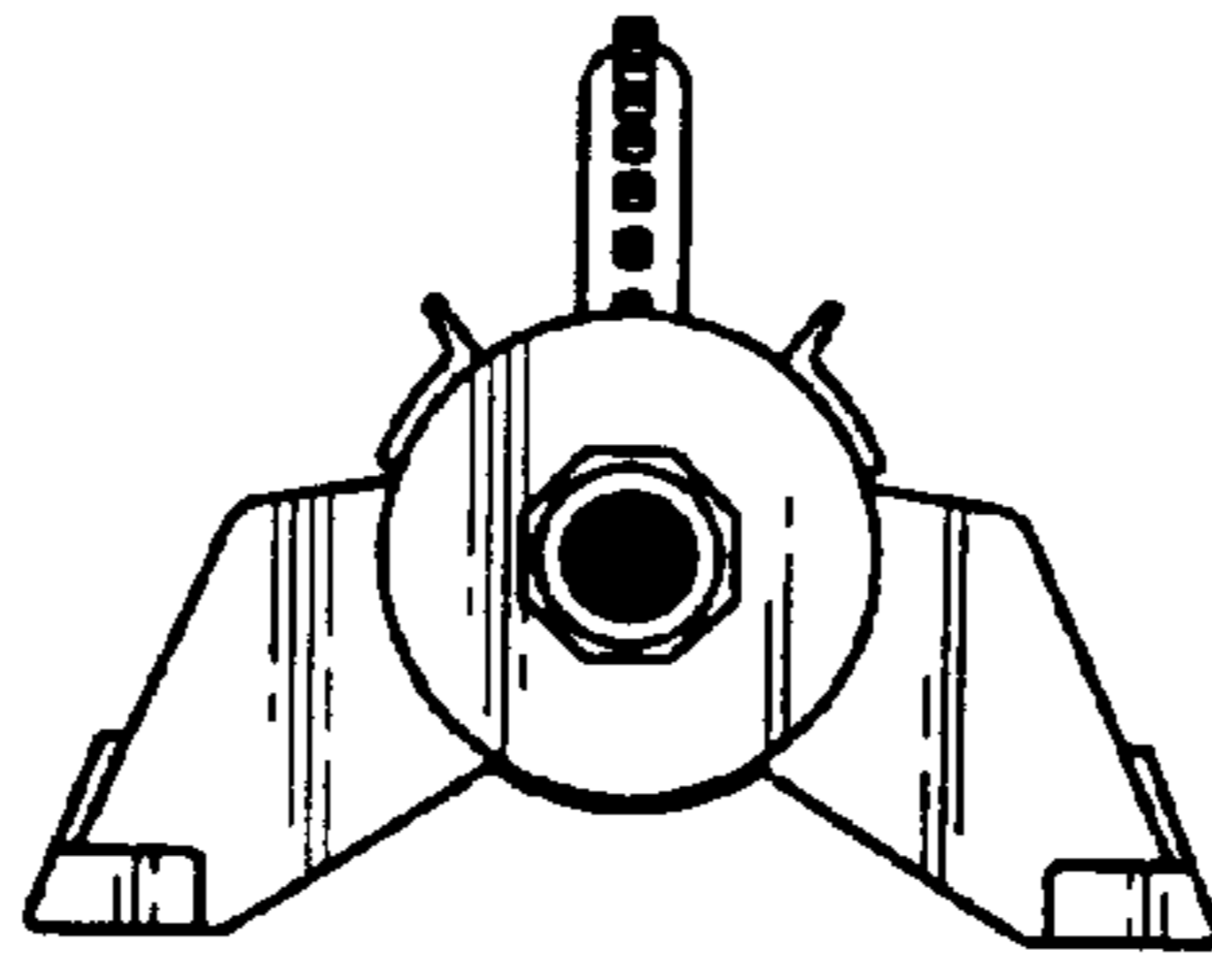


FIG. 2

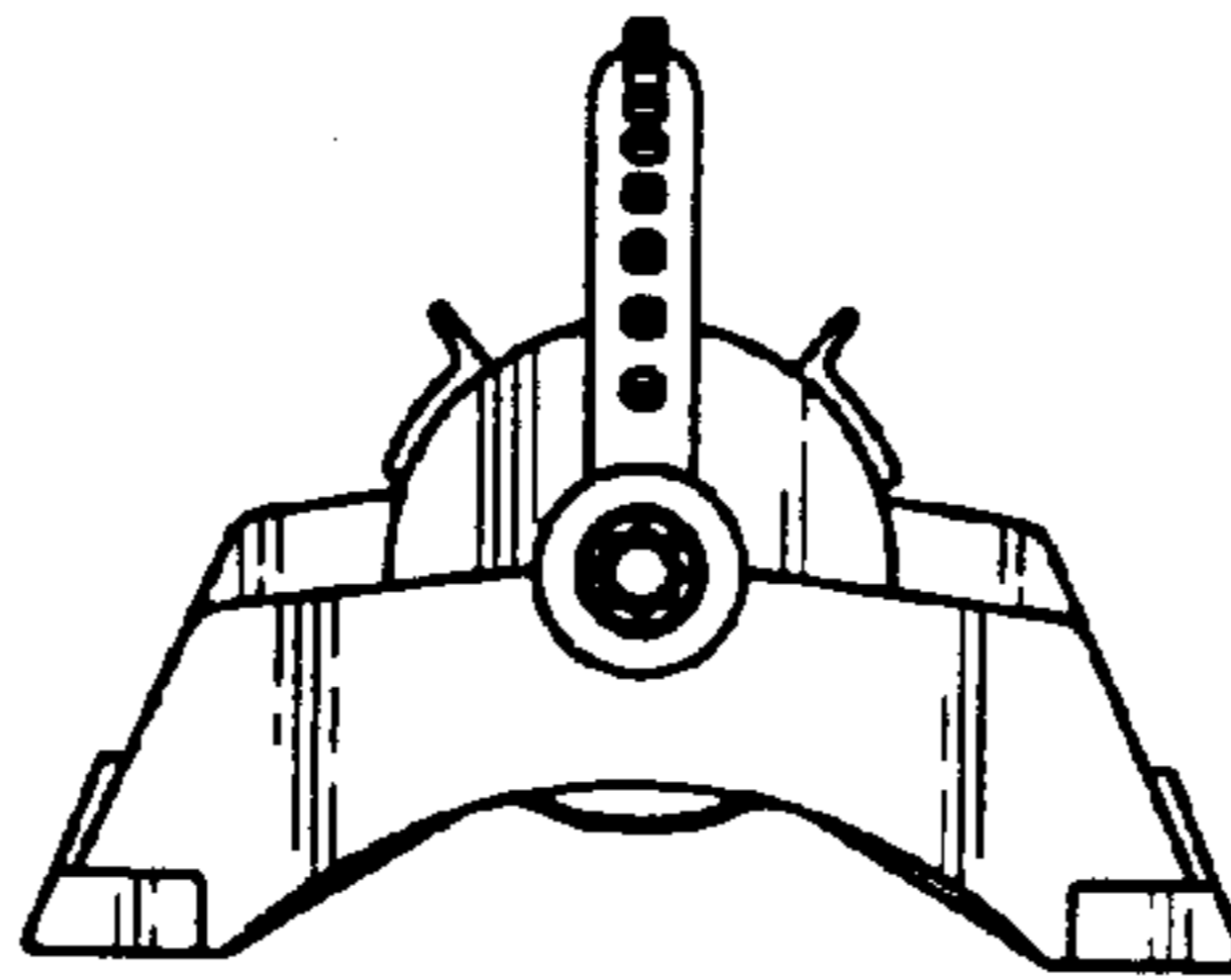


FIG. 3

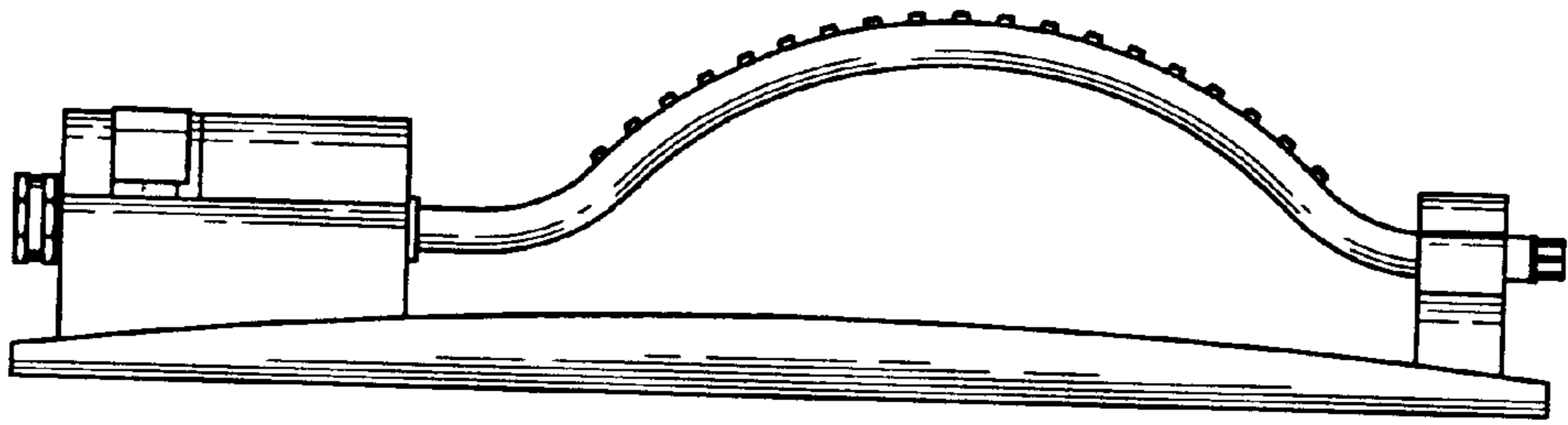


FIG. 4

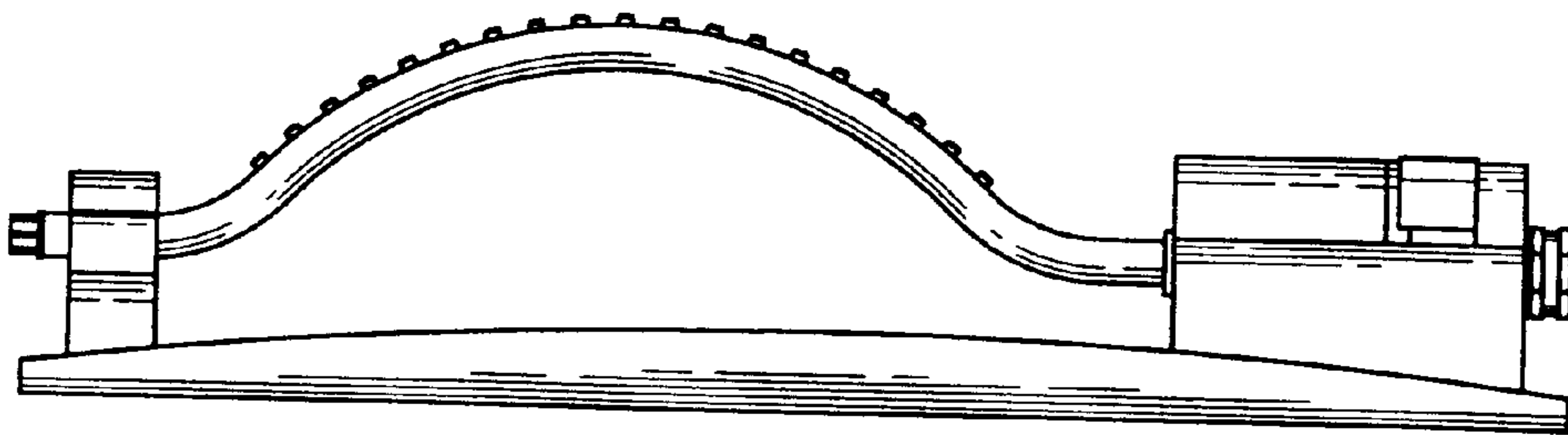


FIG. 5

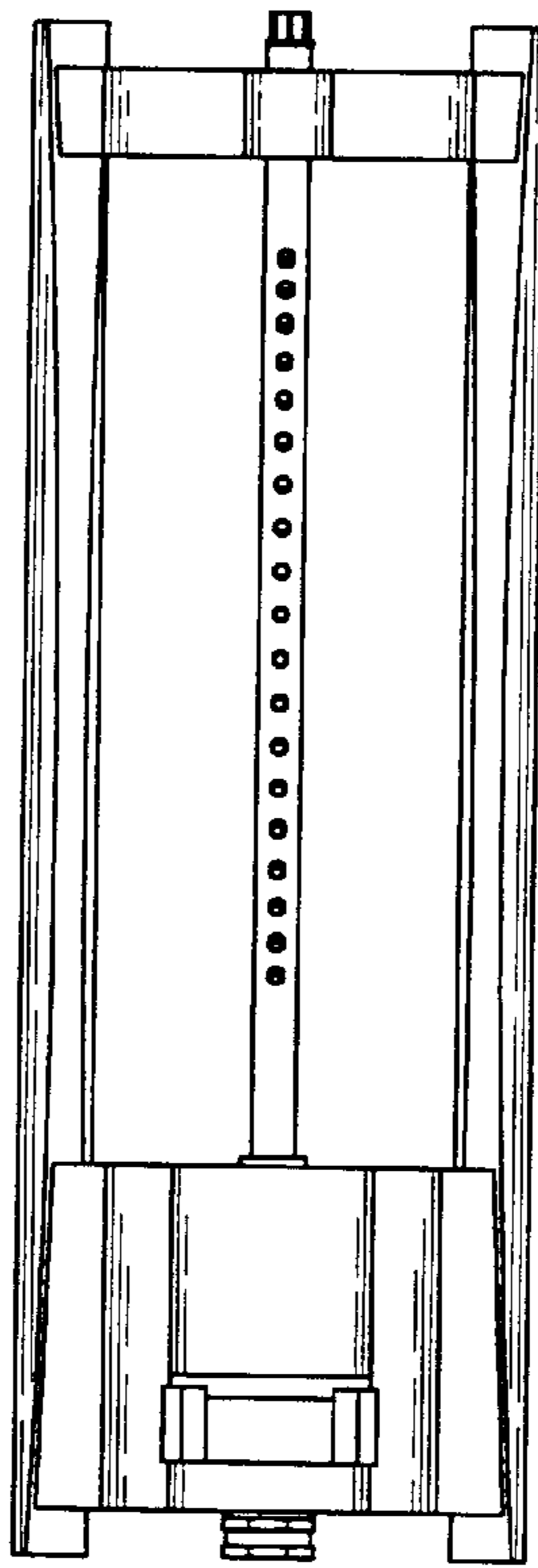


FIG. 6

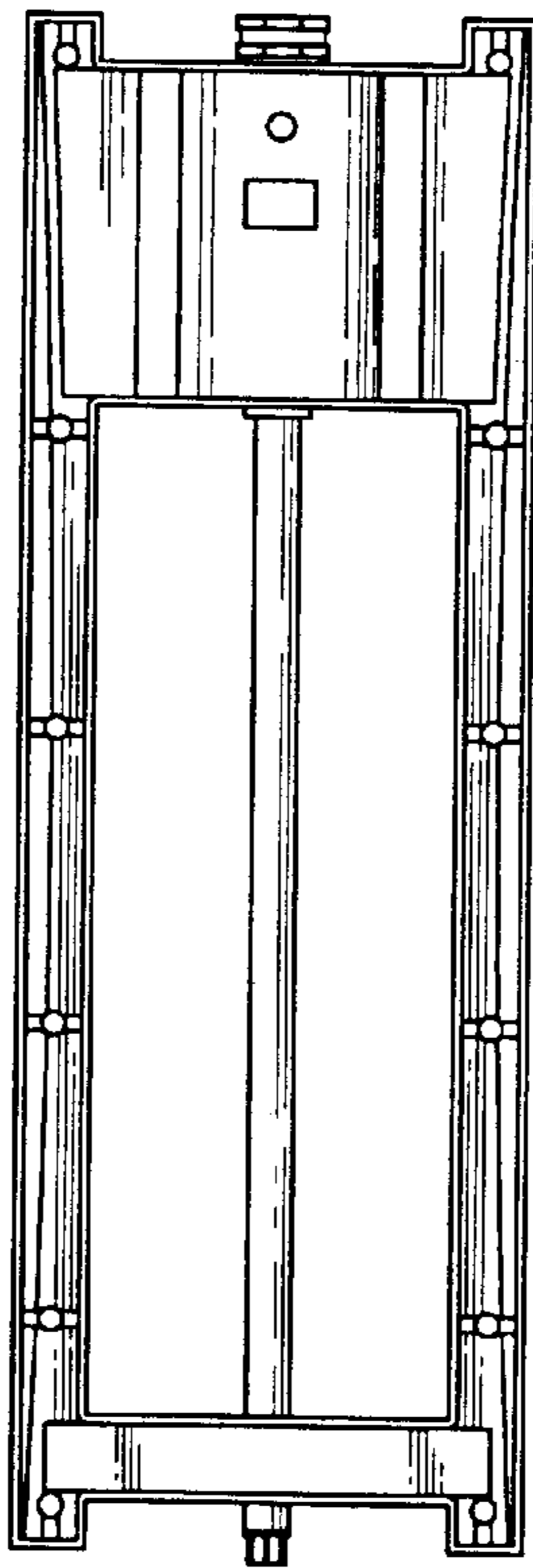


FIG. 7