



US00D459432S

(12) **United States Design Patent**
Schmon

(10) **Patent No.:** **US D459,432 S**

(45) **Date of Patent:** **** *Jun. 25, 2002**

(54) **SPRAY GUN HEAD RING**

(75) Inventor: **Ewald Schmon**, Grafenberg (DE)

(73) Assignee: **SATA-Farbspritztechnik GmbH & Co.**, Kornwestheim (DE)

(*) Notice: This patent is subject to a terminal disclaimer.

(**) Term: **14 Years**

(21) Appl. No.: **29/113,813**

(22) Filed: **Nov. 15, 1999**

(30) **Foreign Application Priority Data**

May 14, 1999 (DE) 499 04 806

(51) **LOC (7) Cl.** **23-01**

(52) **U.S. Cl.** **D23/213; D23/226**

(58) **Field of Search** **D23/213, 223, D23/226; 239/690-692; 361/227-228**

(56) **References Cited**

U.S. PATENT DOCUMENTS

D133,223 S * 7/1942 Tammen D23/226
2,356,865 A * 8/1944 Mason 239/690

(List continued on next page.)

OTHER PUBLICATIONS

Warwick Industries, Inc, Color brochure of model 861 HVLP, 827 HVLP and 828 HVPL guns, 1 page (date, unknown).

(List continued on next page.)

Primary Examiner—Robin V. Taylor

(74) *Attorney, Agent, or Firm*—Hall, Priddy, Myers & Vande Sande

(57) **CLAIM**

The ornamental design for a spray gun head ring, as shown and described.

DESCRIPTION

FIG. 1 is a front-side perspective of a spray gun head ring in accord with the present invention.

FIG. 2 is a side view of the ring of FIG. 1 having at its front a green band that is in color contrast with the finish of the adjacent area to the rear of the ring.

FIG. 3 is a front view of the ring of FIG. 1.

FIG. 4 is a rear-side perspective of the ring of FIG. 1.

FIGS. 5-7 illustrate a first alternative to the form of the ring of FIGS. 1-4, the FIGS. 5-7 alternative also being useful on a gun as exemplified in FIG. 1.

FIG. 5 is a side view similar to FIG. 2, having a green band at the front; the axial lines in the adjacent area to the rear of the ring signify surface ridges.

FIG. 6 is a front view of the ring of FIG. 5.

FIG. 7 is a rear-side perspective of the ring of FIG. 5.

FIGS. 8-10 illustrate a second alternative to the form of the ring of FIGS. 1-4, the FIGS. 8-10 alternative also being useful on a gun as exemplified in FIG. 1.

FIG. 8 is a side view similar to FIG. 2, except that here the green band is at the rear.

FIG. 9 is a front view of the ring of FIG. 8.

FIG. 10 is a rear-side perspective of the ring of FIG. 8.

FIGS. 11-13 illustrate a third alternative to the form of the ring of FIGS. 1-4, the FIGS. 11-13 alternative also being useful on a gun as exemplified in FIG. 1.

FIG. 11 is a side view similar to FIG. 2, except that here there are two green bands, located respectively at the front and rear of the ring, separated by an area with which the green bands are in color contrast.

FIG. 12 is a front view of the ring of FIG. 11; and,

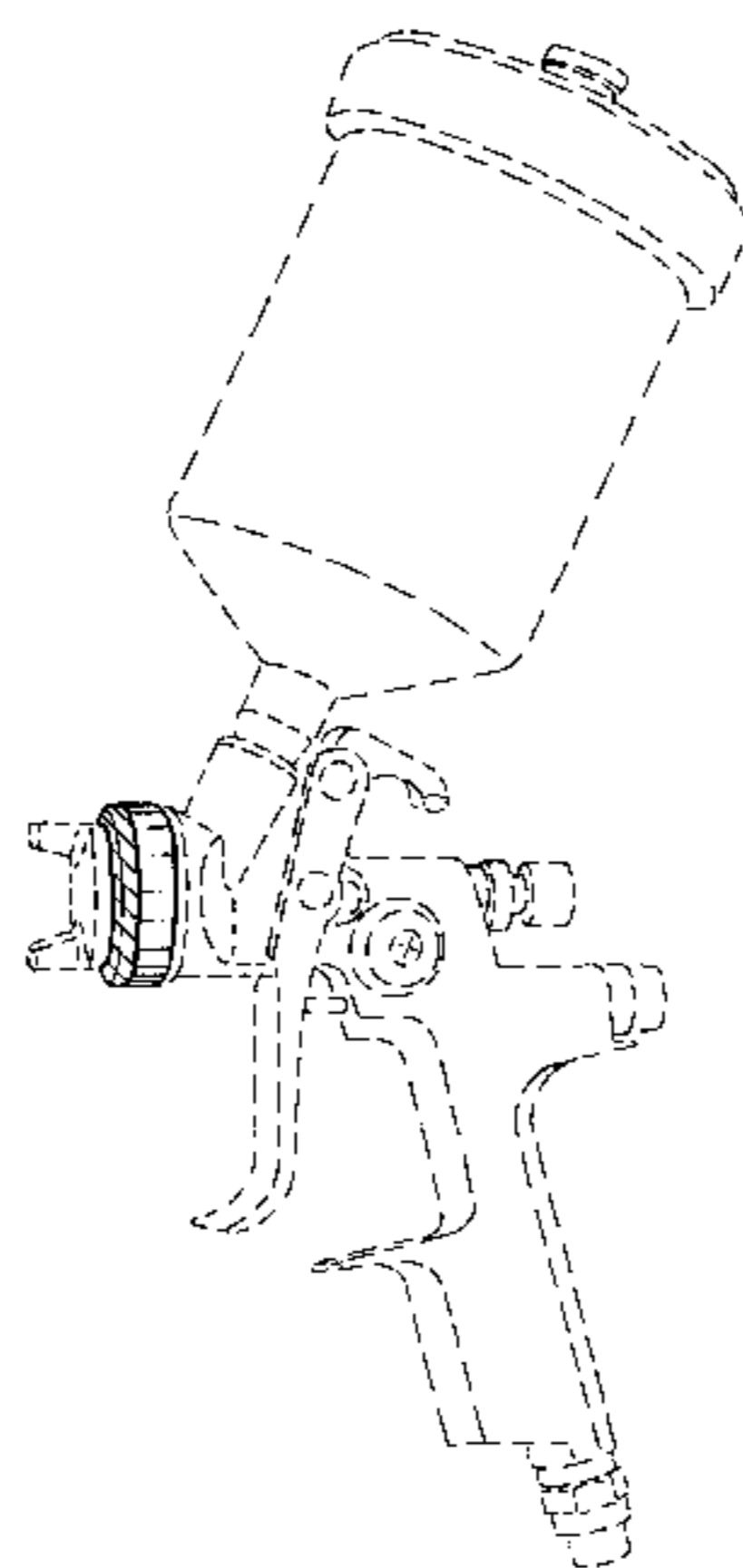
FIG. 13 is a rear-side perspective of the ring of FIG. 11.

Those portions of the structures shown in the drawings in form of broken lines represent parts of the gun other than the spray head ring. The specific shape of these parts do not limit the present design.

Diagonal hatching in the figures represents any shade of green coloration. Open areas adjacent the diagonal hatching signify surface finish(es) that is/are colored or uncolored, including metallic finish, such as chrome, nickel or any other silvery, metallic finish.

Only one side view of each embodiment has been shown since each of the embodiments is symmetrical and the side opposite to the one shown is a mirror image of the side shown. Portions of the interiors of the rings not shown in the drawings constitute functional or mechanical features forming no part of the present design.

1 Claim, 5 Drawing Sheets



U.S. PATENT DOCUMENTS

2,557,593 A * 6/1951 Bjorkman 239/528
2,557,606 A * 6/1951 Liedberg 239/690
D252,097 S * 6/1979 Probst et al. D23/226
5,332,156 A * 7/1994 Wheeler 239/526
5,609,302 A * 3/1997 Smith 239/526
5,836,517 A * 11/1998 Burns et al. 239/525
D409,719 S * 5/1999 Kaneko D23/226

OTHER PUBLICATIONS

ANI, S.p.A., Quality Air ANI Tech color brochure of F1 Super/S HVLP and F1 Super/I HVLP spray guns, 2 pages (date on brochure provided Jun. 6, 2000).

Astro Pneumatic Tool Co., Color brochure showing model HVLPDX, HVLP6GFS, AS6S, AS7S, AS7SP, AS8S, GF14S, GF20S, GF6S guns, 2 pages (date unknown).

Warwick Industries, Inc, Color brochure of series 827 HVLP, 828 HVLP and 868 HVPL guns, 4 pages (date, unknown).

* cited by examiner

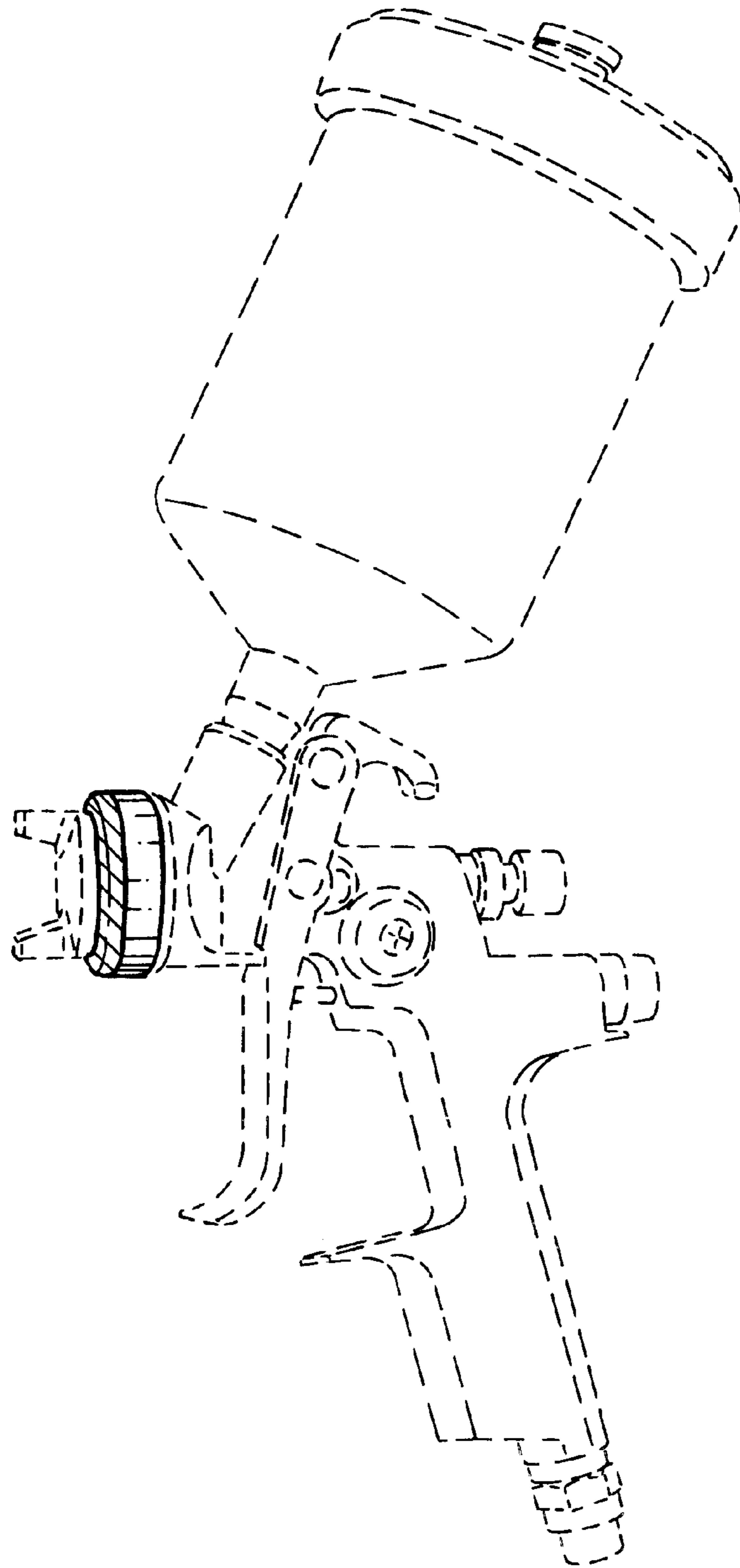


FIG. 1

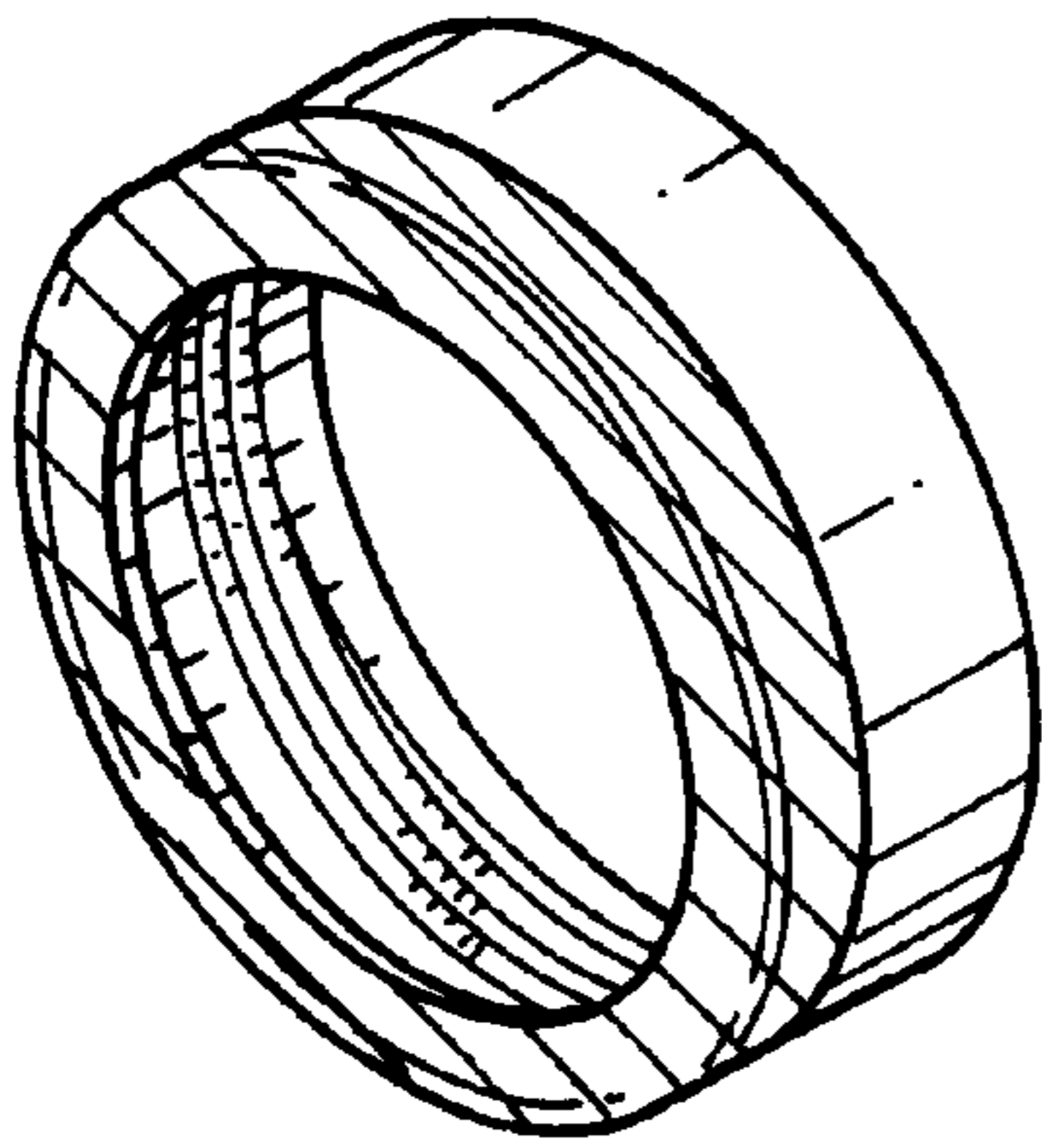


FIG. 2

FIG. 3

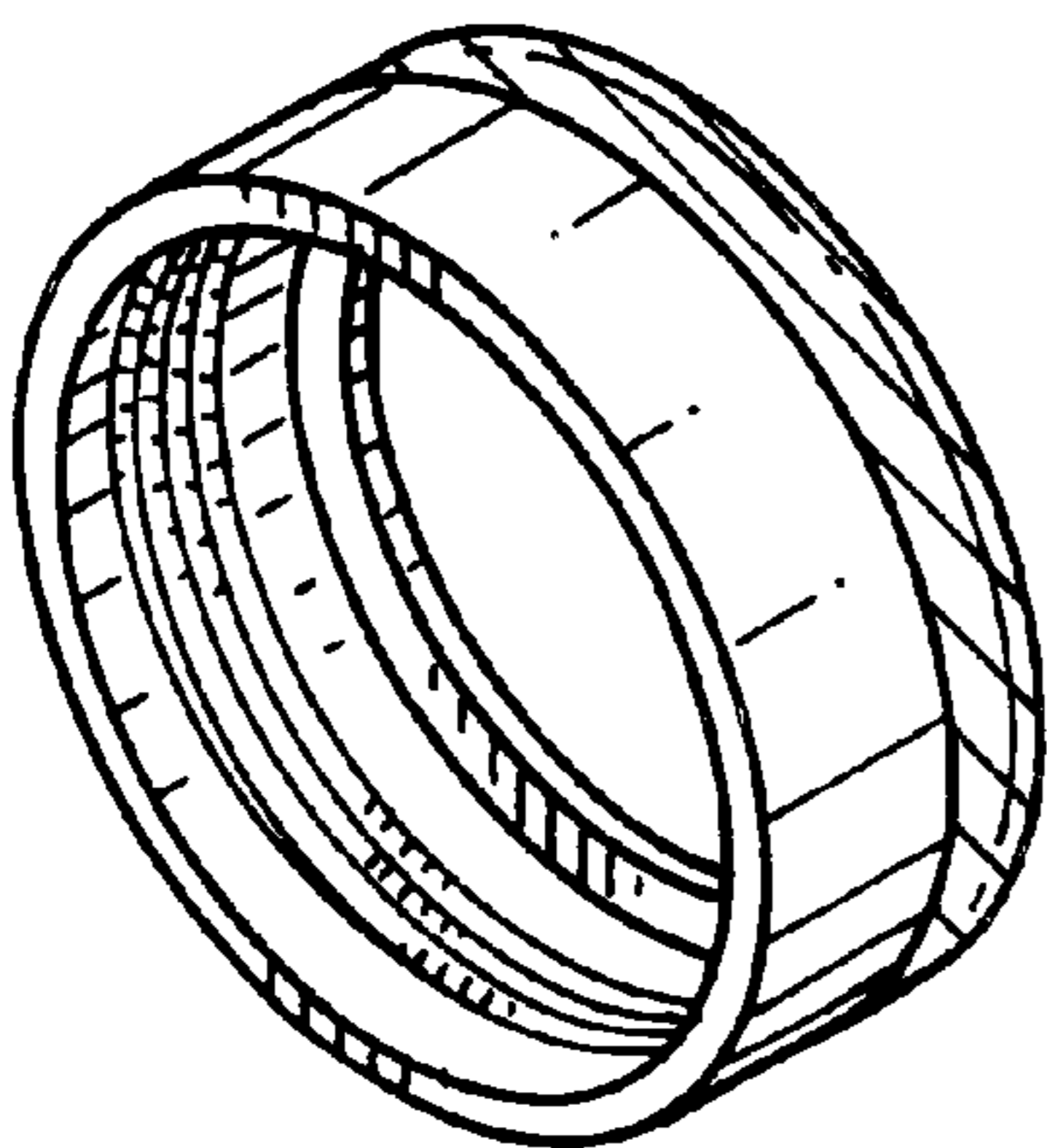
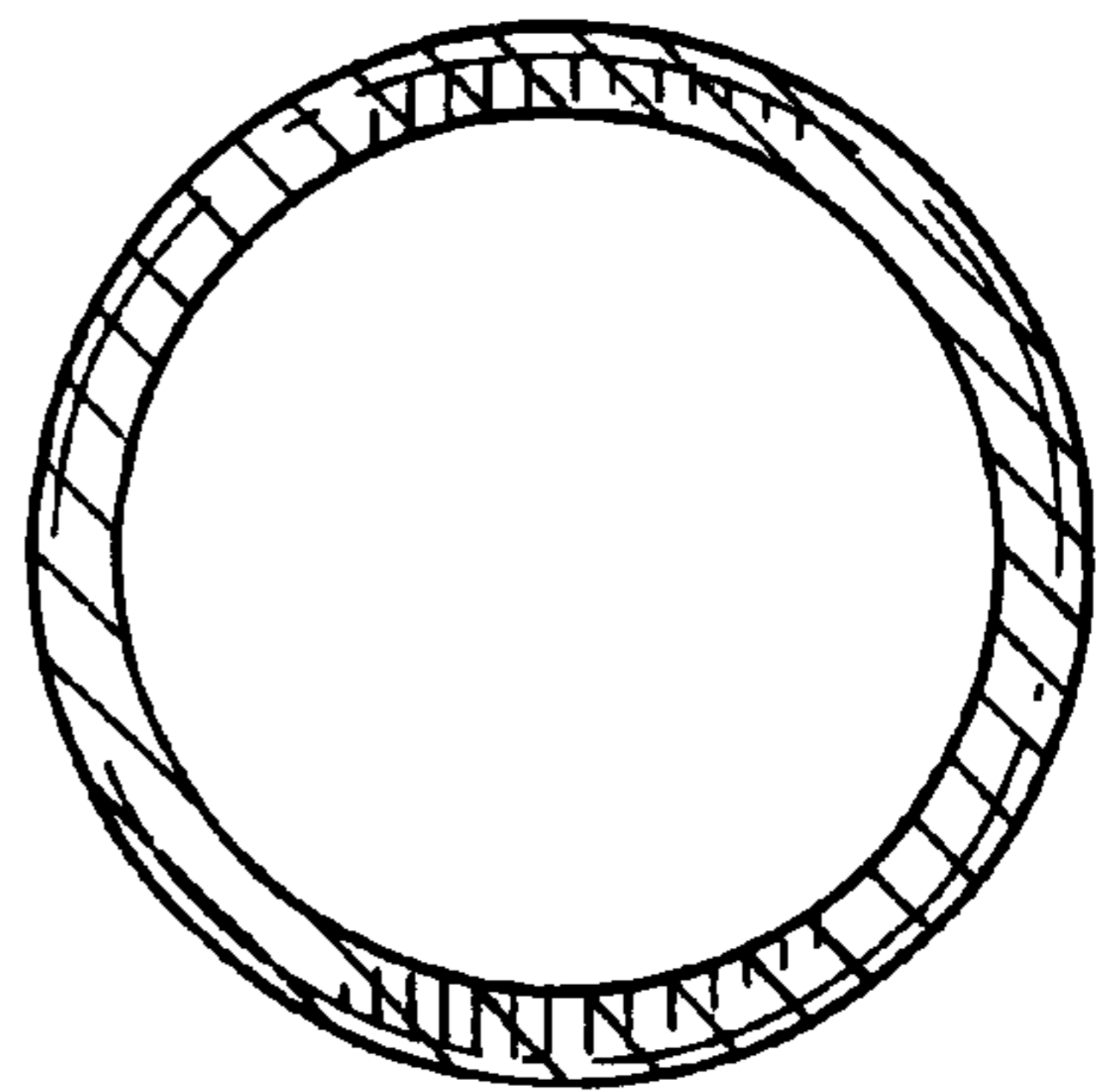


FIG. 4

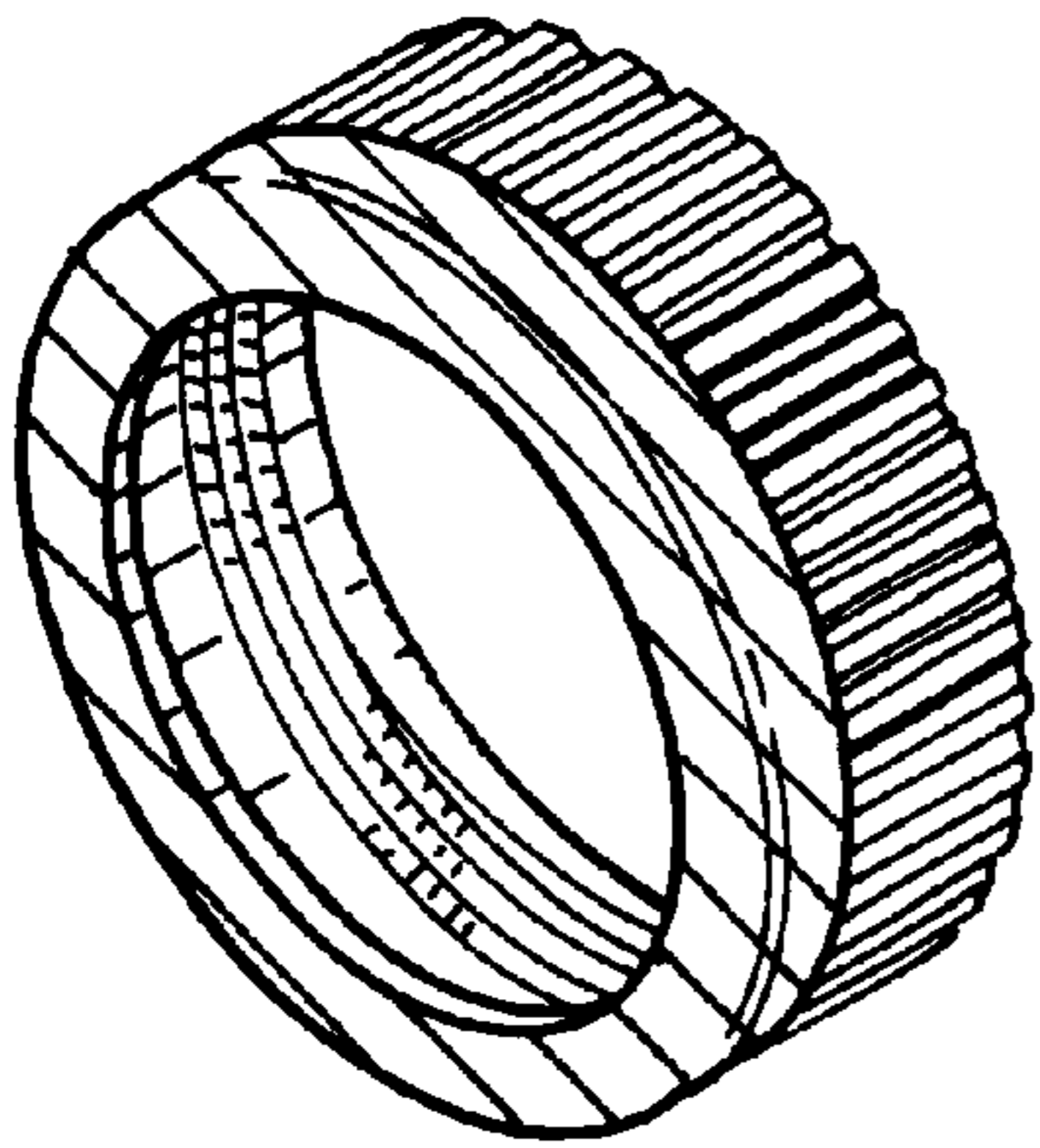


FIG. 5

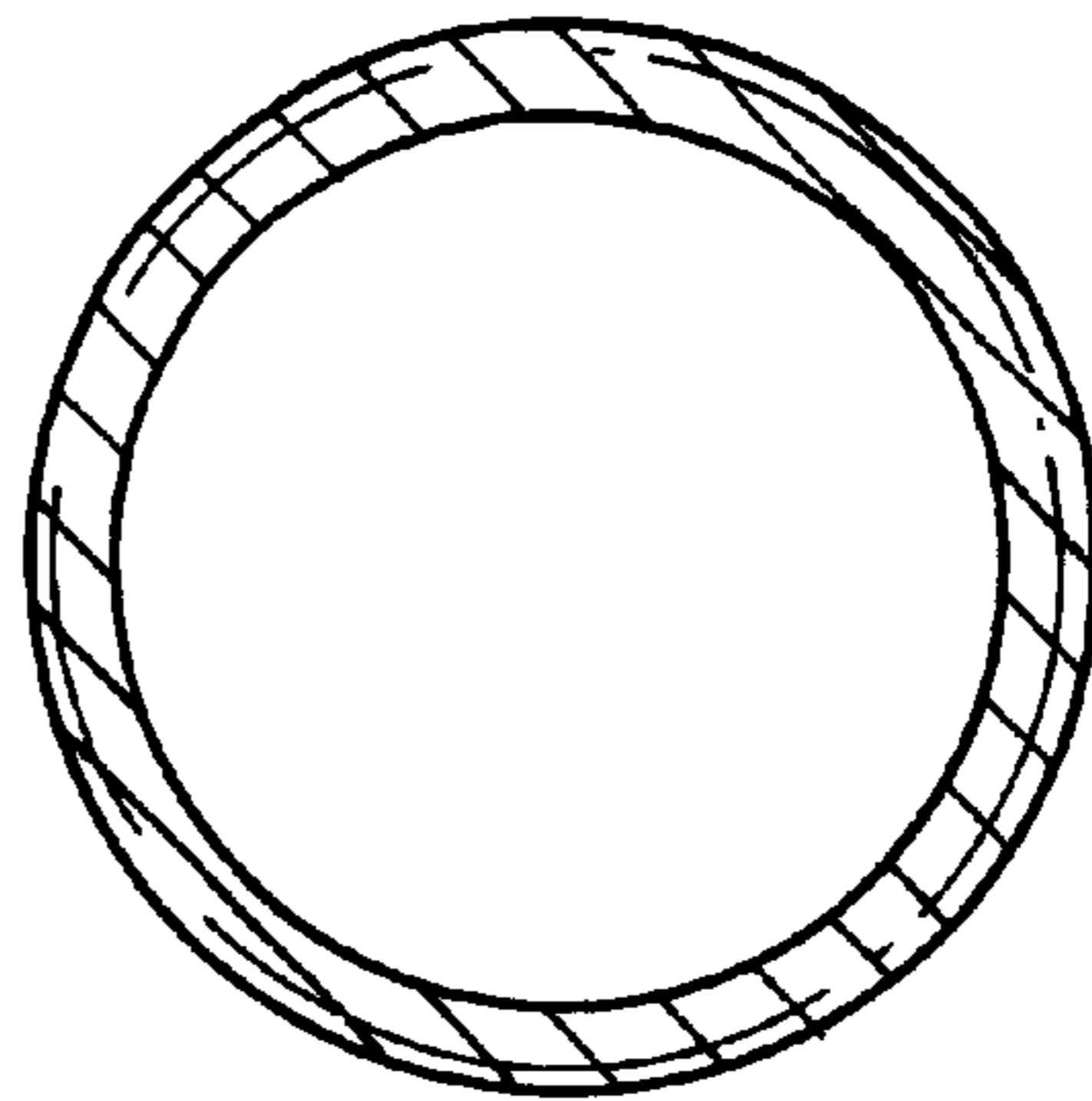


FIG. 6

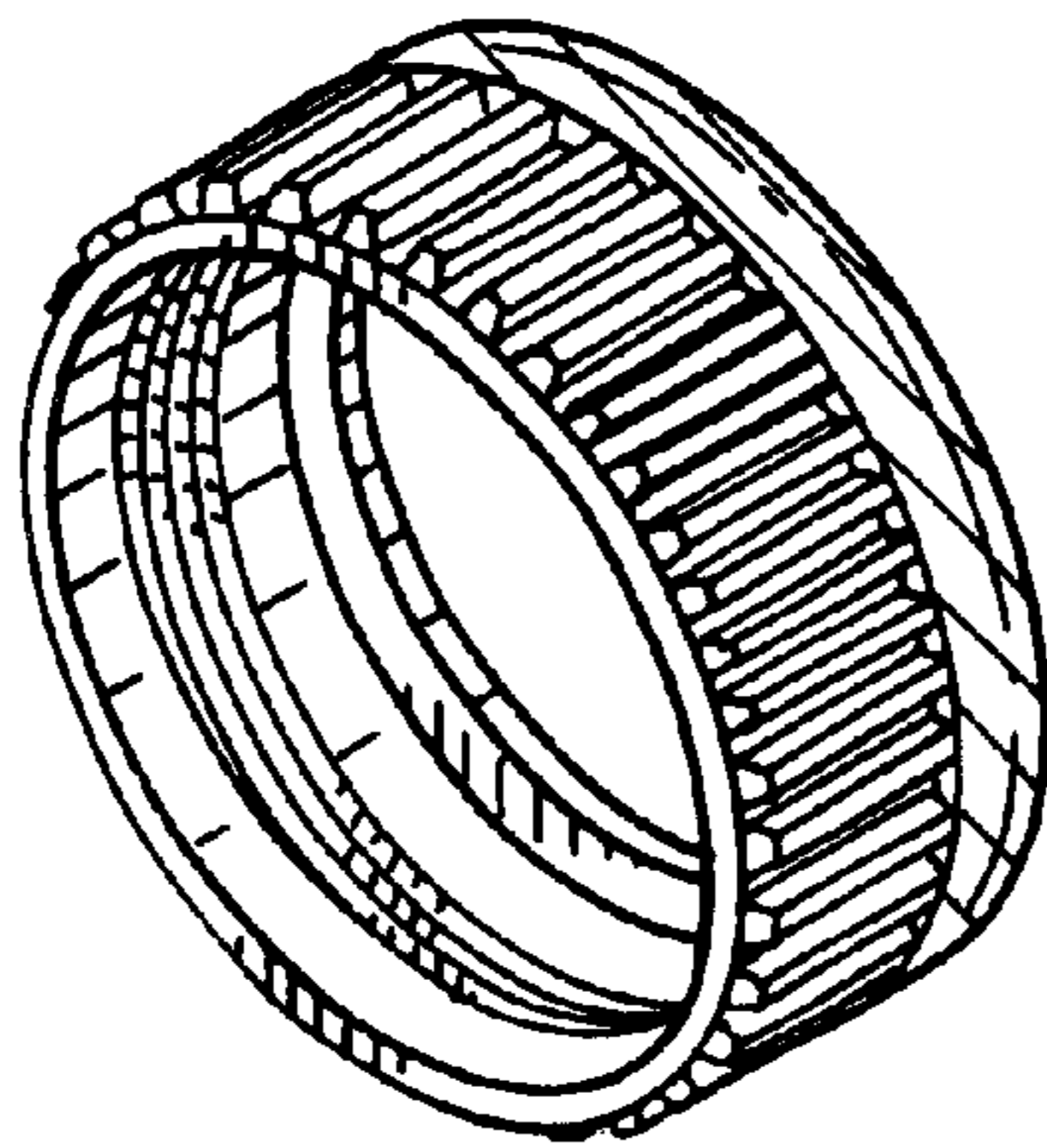


FIG. 7

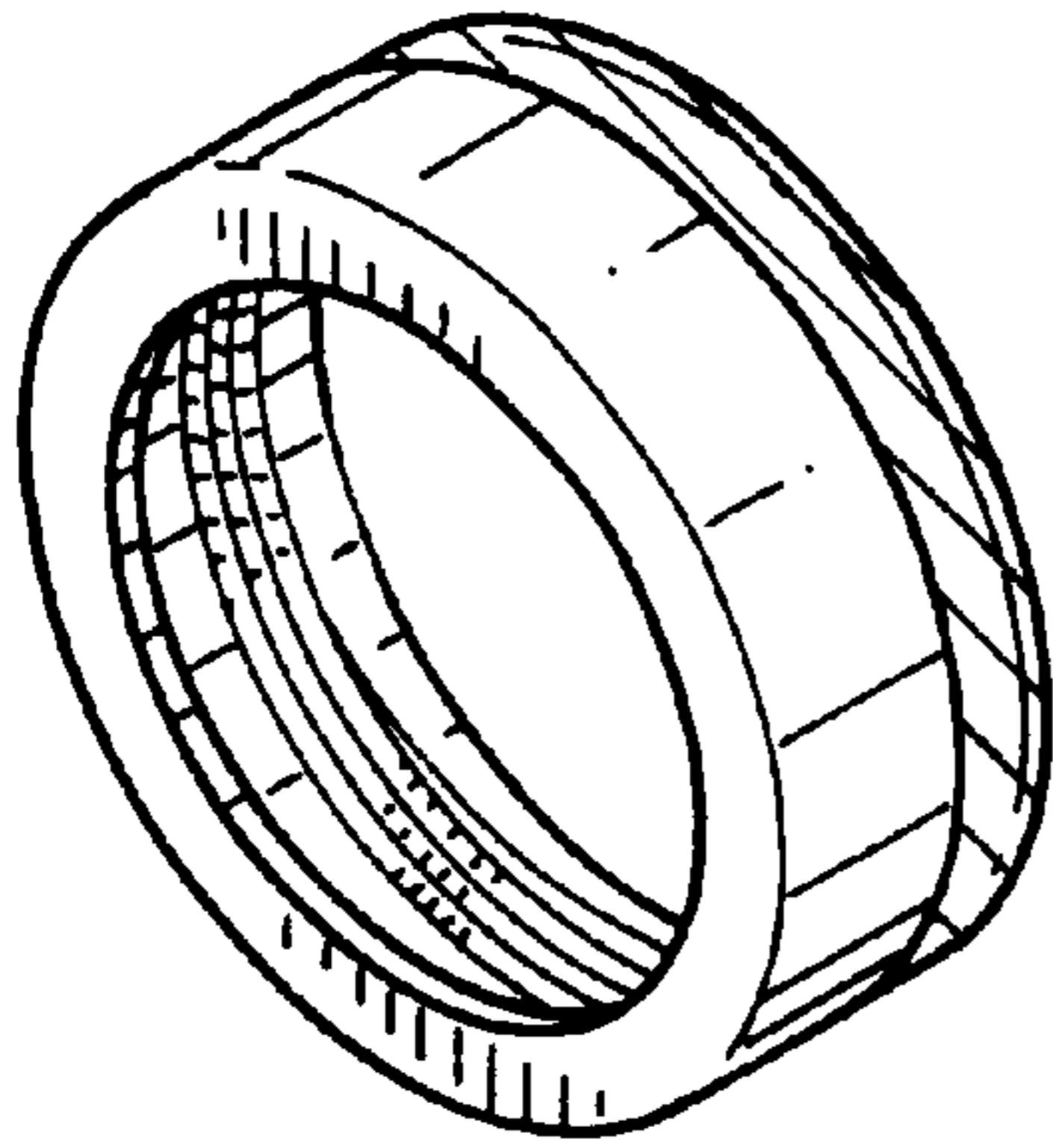


FIG. 8

FIG. 9

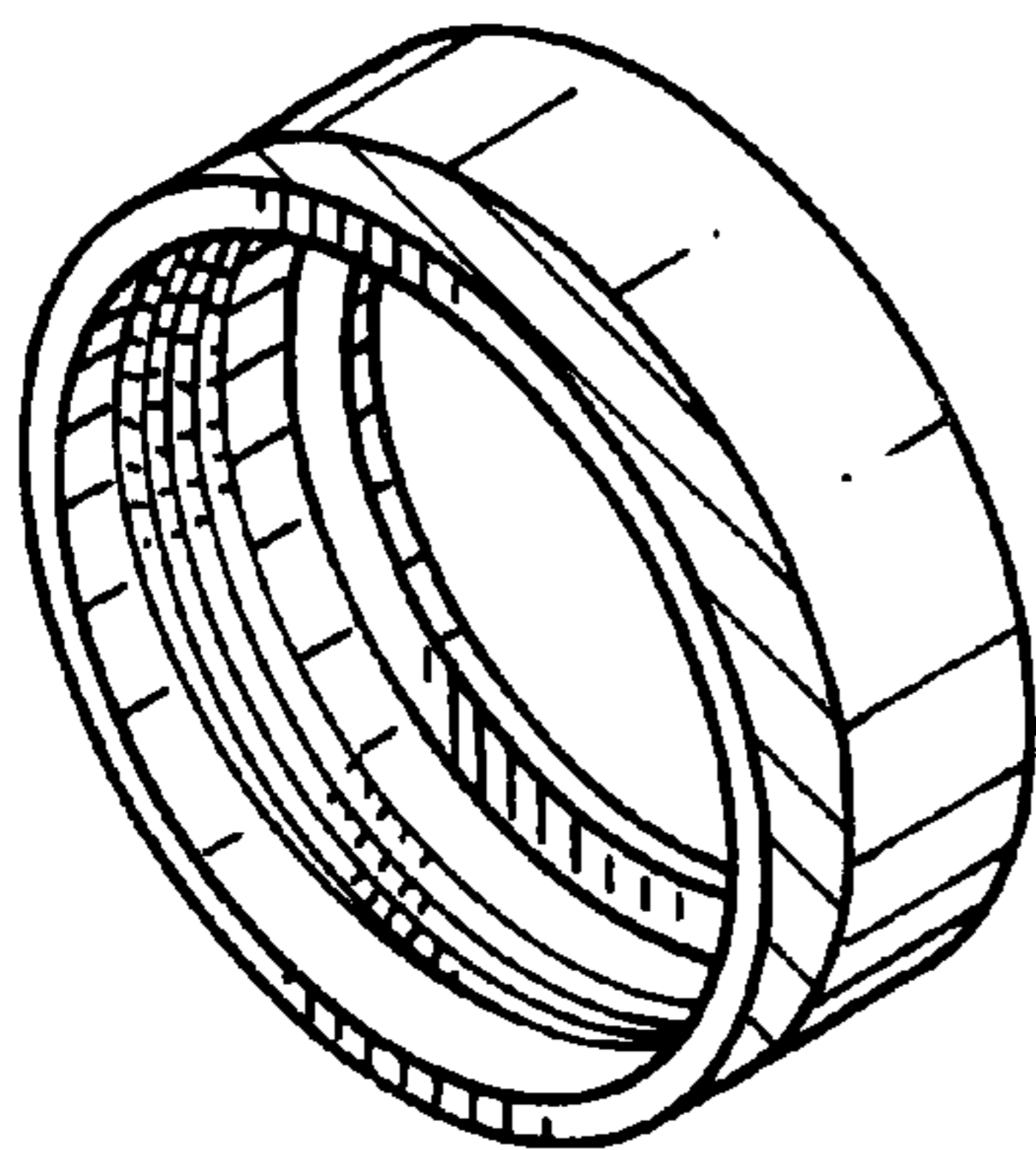
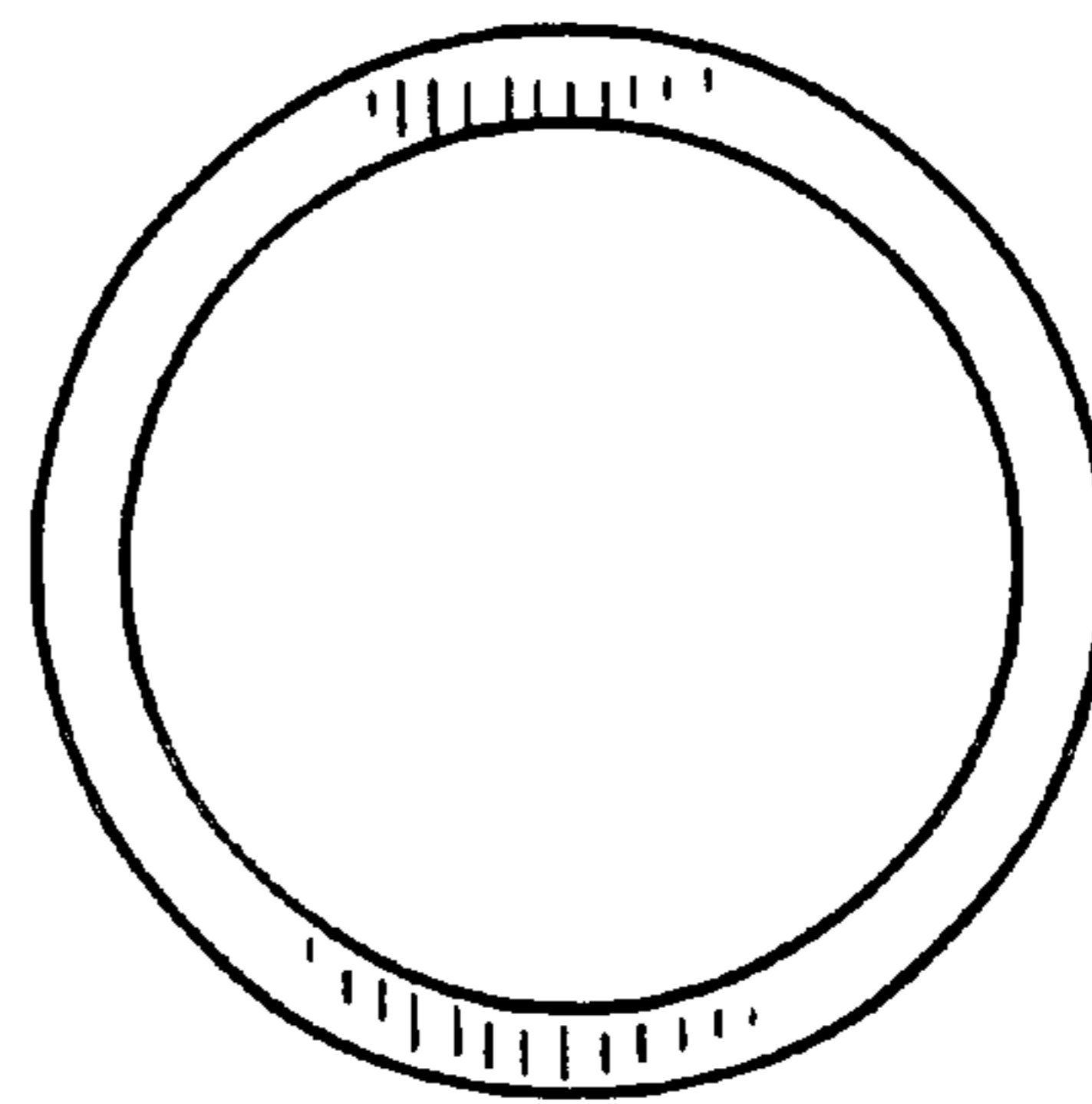


FIG. 10

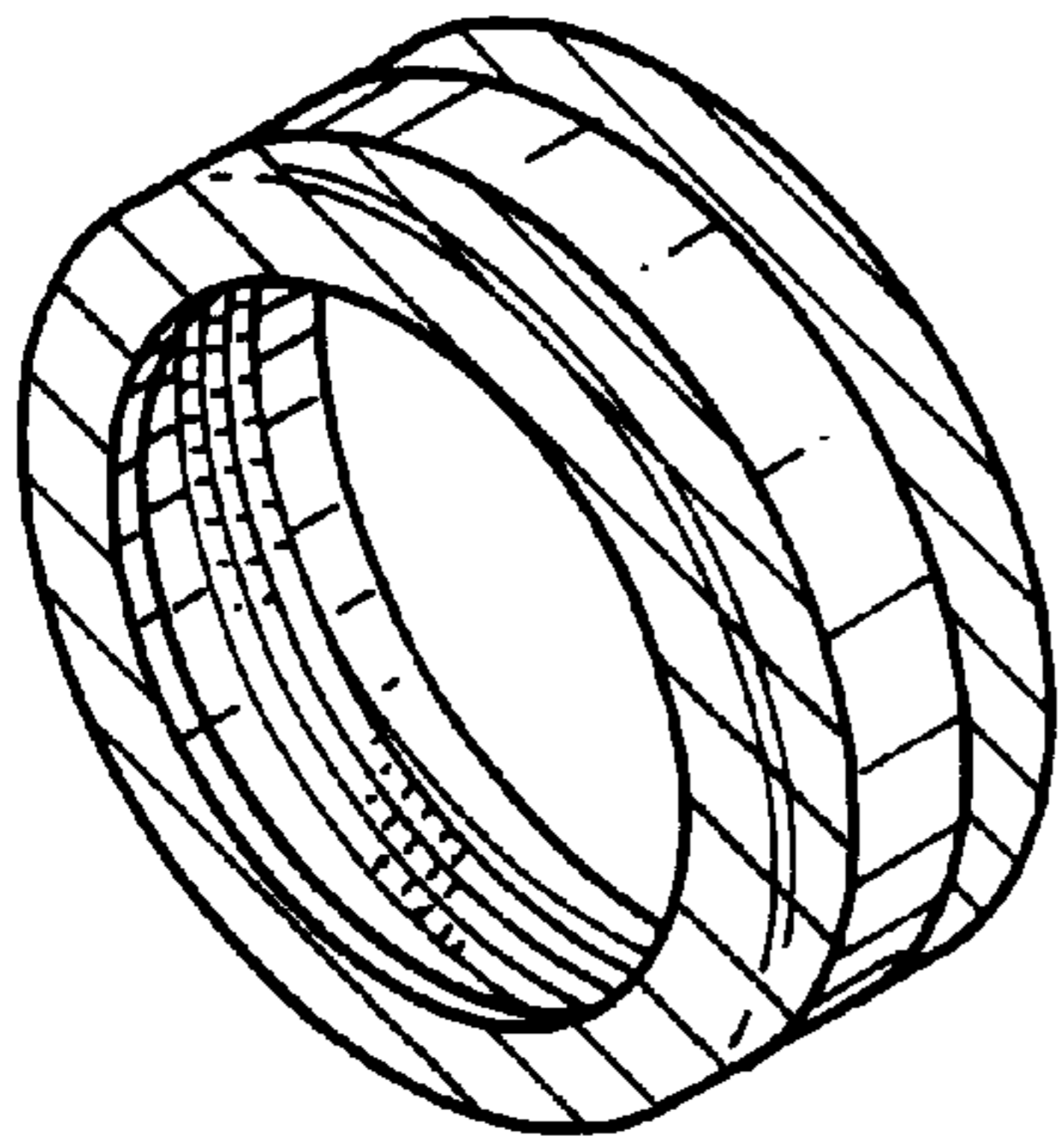


FIG. 11

FIG. 12

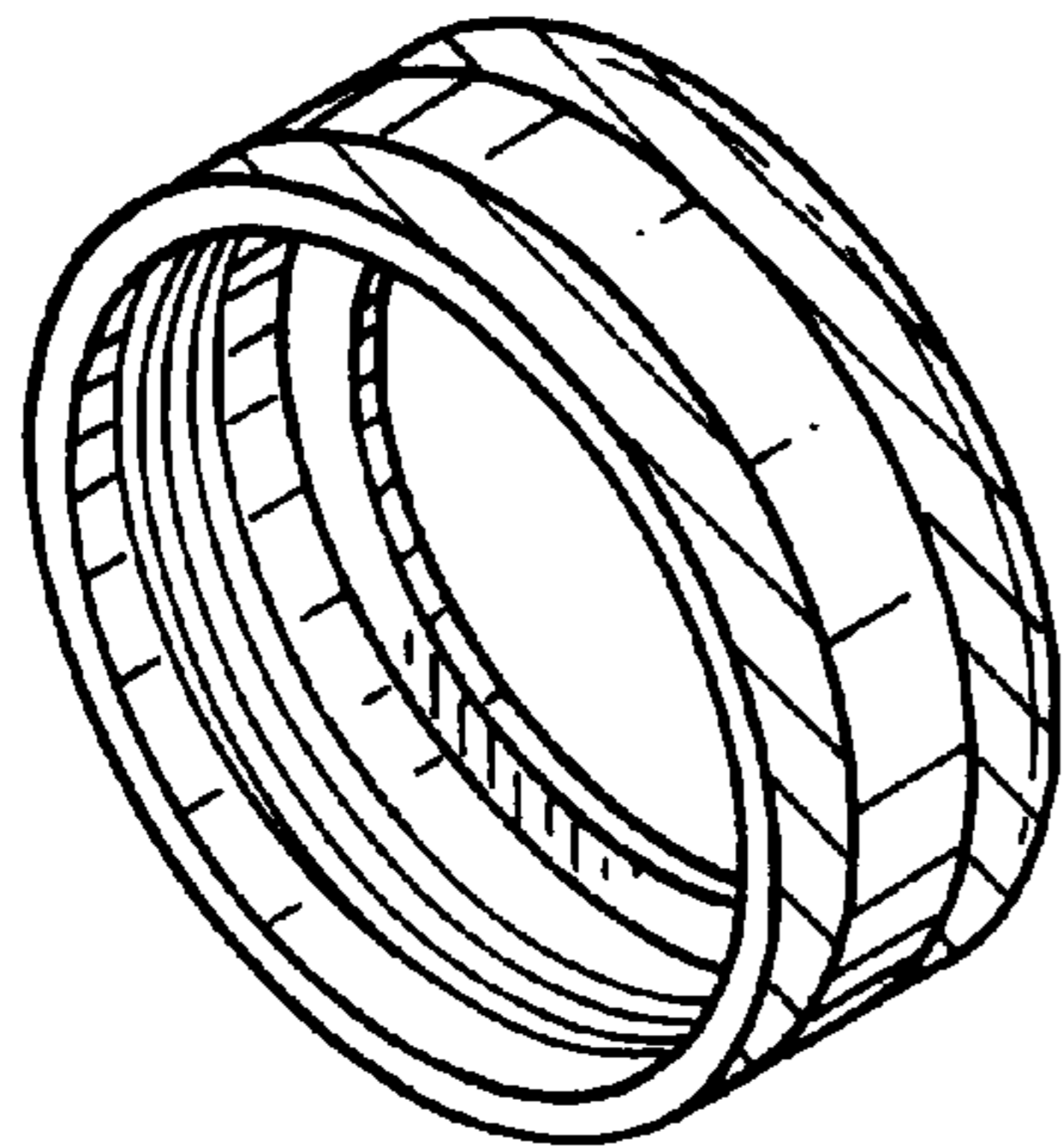
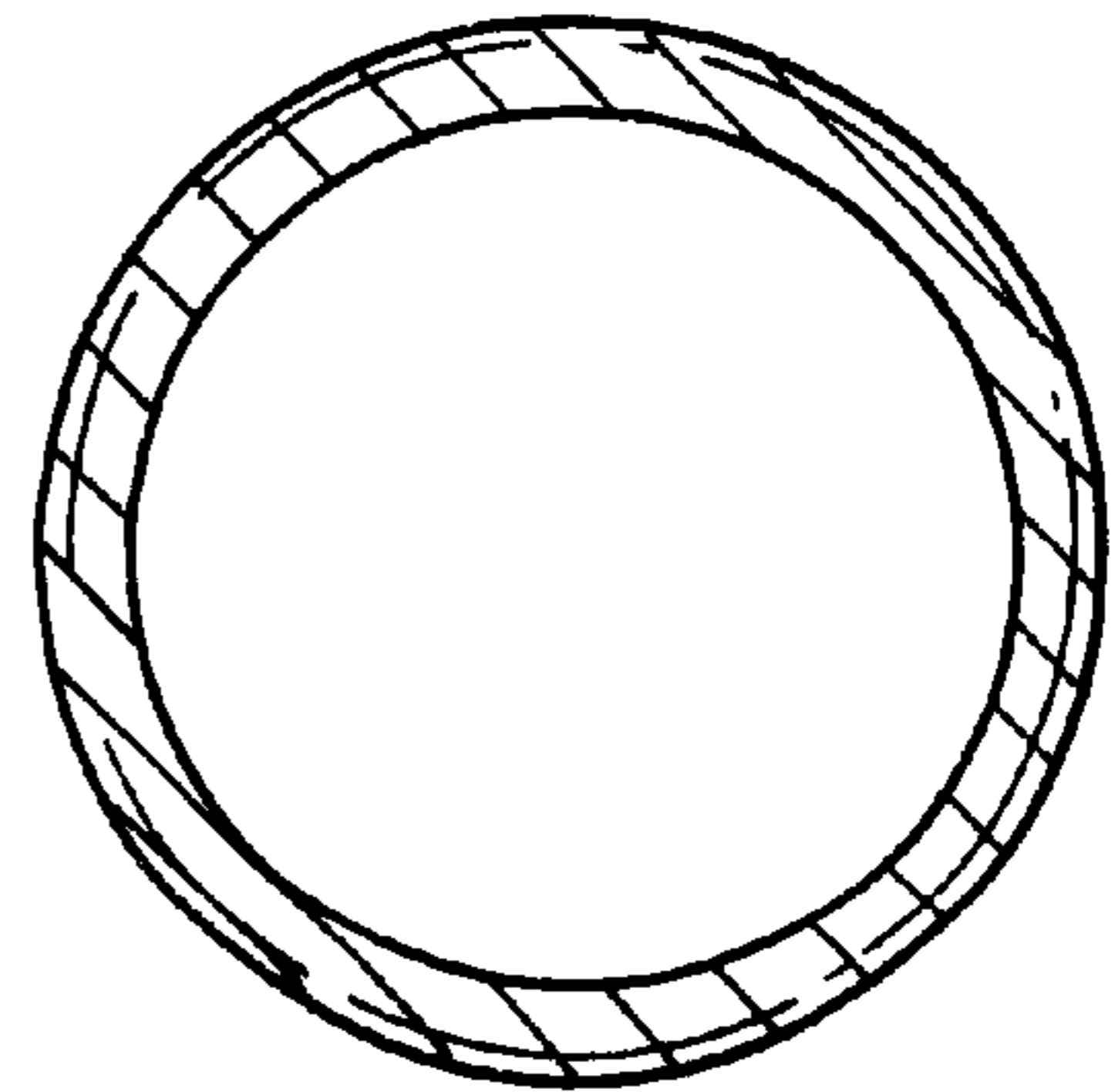


FIG. 13