



US00D459431S

(12) **United States Design Patent**
Rosenberg

(10) **Patent No.:** **US D459,431 S**

(45) **Date of Patent:** **** Jun. 25, 2002**

(54) **WATERING CAN**

(75) Inventor: **Debbie Rosenberg**, New City, NY (US)

(73) Assignee: **American Tack & Hardware Co., Inc.**, Monsey, NY (US)

(**) Term: **14 Years**

(21) Appl. No.: **29/146,633**

(22) Filed: **Aug. 13, 2001**

(51) **LOC (7) Cl.** **23-01**

(52) **U.S. Cl.** **D23/212**

(58) **Field of Search** D23/212; 239/375-378;
222/465.1, 470

(56) **References Cited**

U.S. PATENT DOCUMENTS

D56,774 S	*	12/1920	Sroka	D23/212
1,699,459 A	*	1/1929	Ullrick	239/277
D184,893 S	*	4/1959	Reinecke	D23/212
D357,729 S	*	4/1995	Boyd	D23/212
D447,788 S	*	9/2001	Rosenberg	D23/212

OTHER PUBLICATIONS

Clapper's Garden Catalog 1988; Item A German Water Can p. 21.*

Smith & Hawken catalog summer 1988; Brass Handle Watering Can, p. 47.*

* cited by examiner

Primary Examiner—Robin V. Taylor

(74) *Attorney, Agent, or Firm*—Hedman & Costigan, P.C.

(57) **CLAIM**

The ornamental design for a watering can, as shown and described.

DESCRIPTION

FIG. 1 is a front perspective view of the watering can according to my design;

FIG. 2 is a left side view of my design which is the mirror image of the right side view;

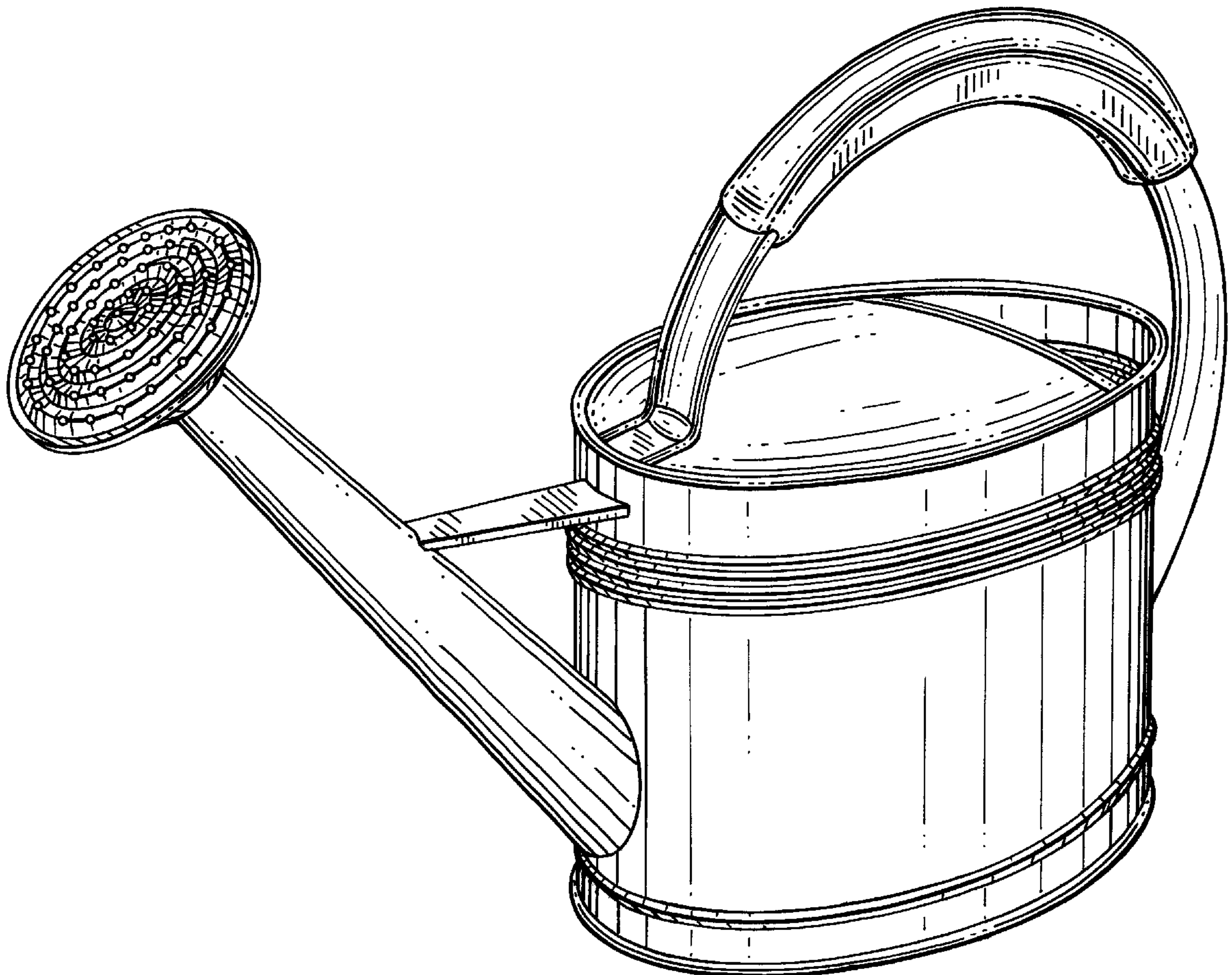
FIG. 3 is a top view of my design;

FIG. 4 is a bottom view of my design;

FIG. 5 is a front view of my design; and,

FIG. 6 is a back view of my design.

1 Claim, 4 Drawing Sheets



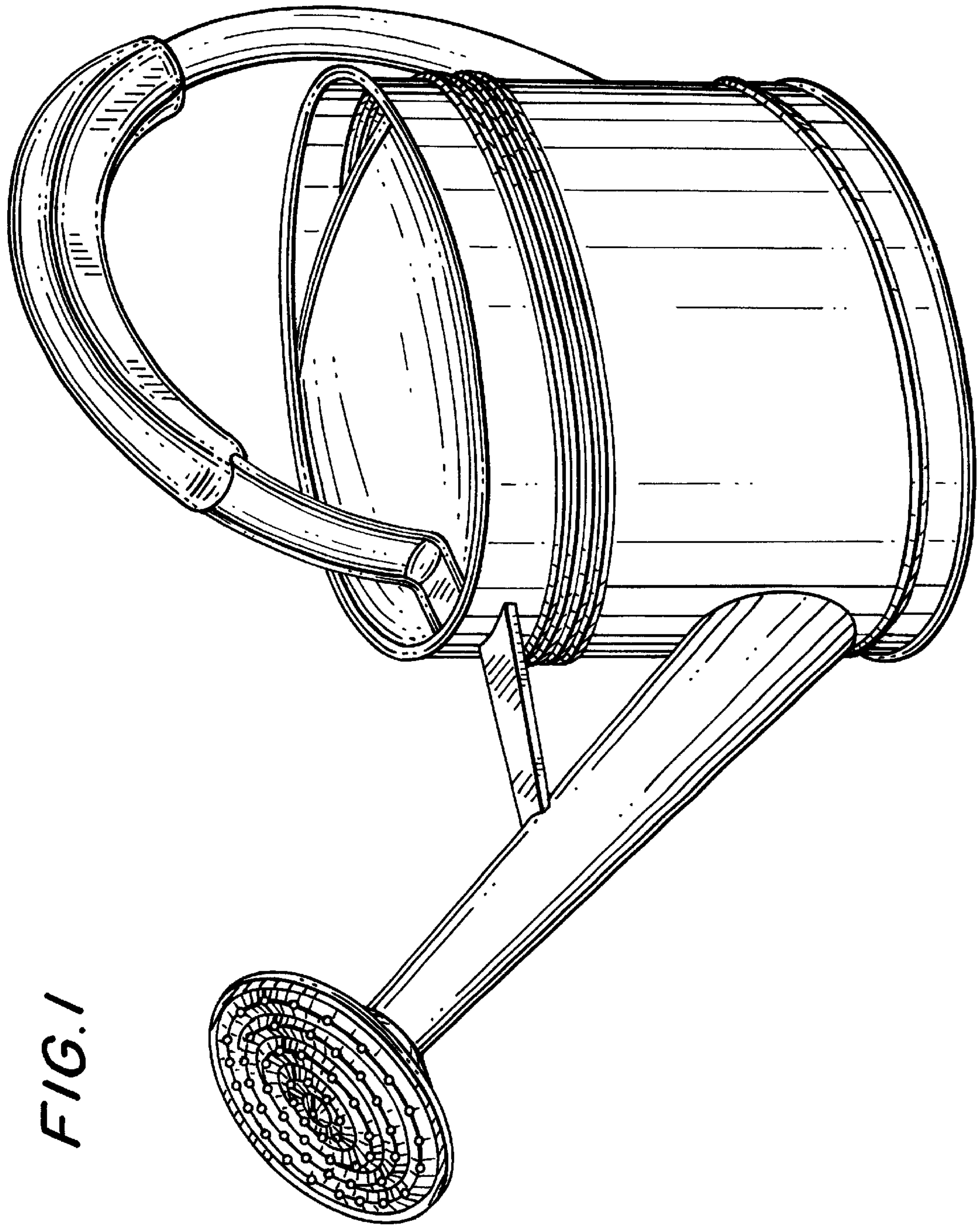
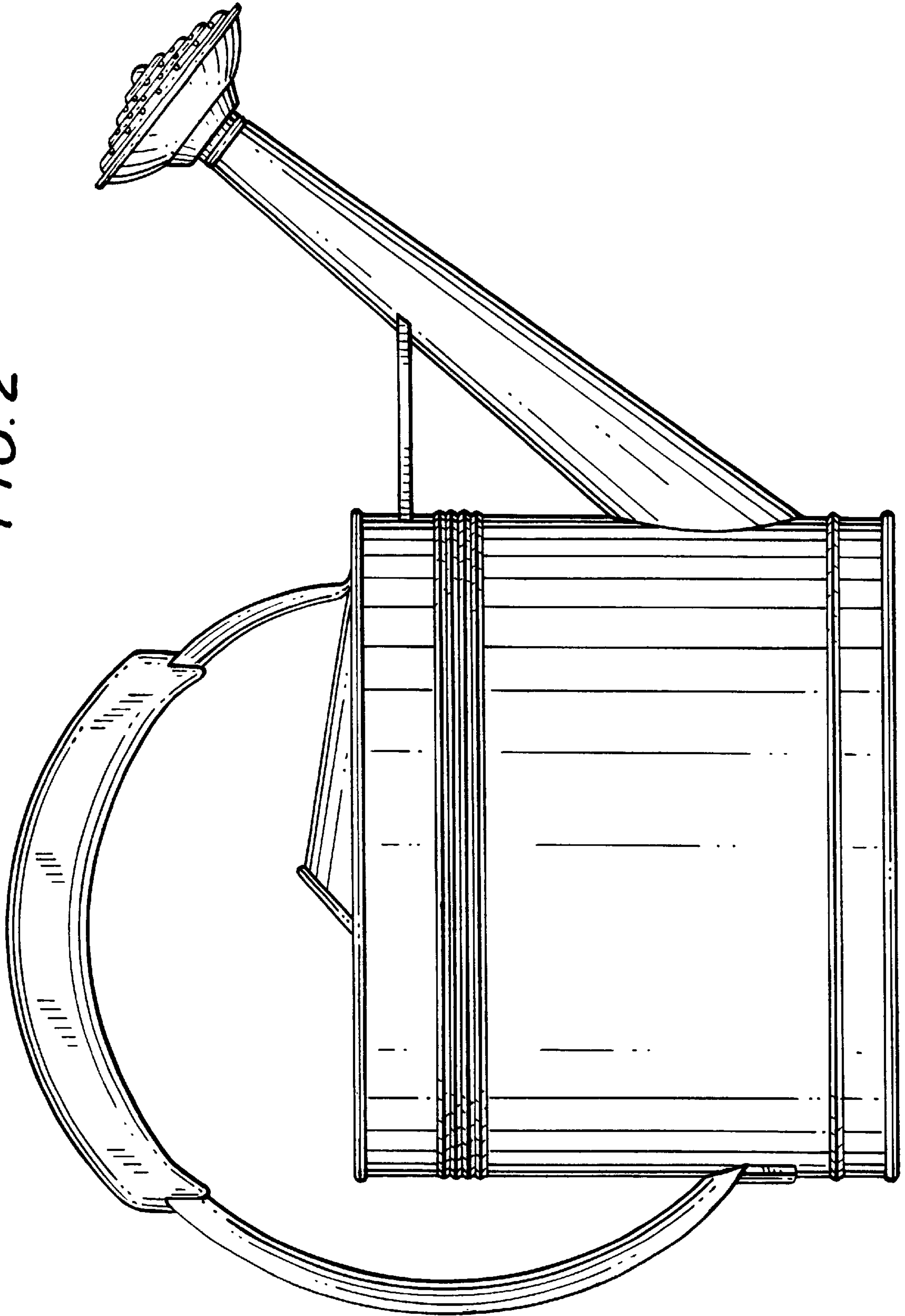


FIG. 1

FIG. 2



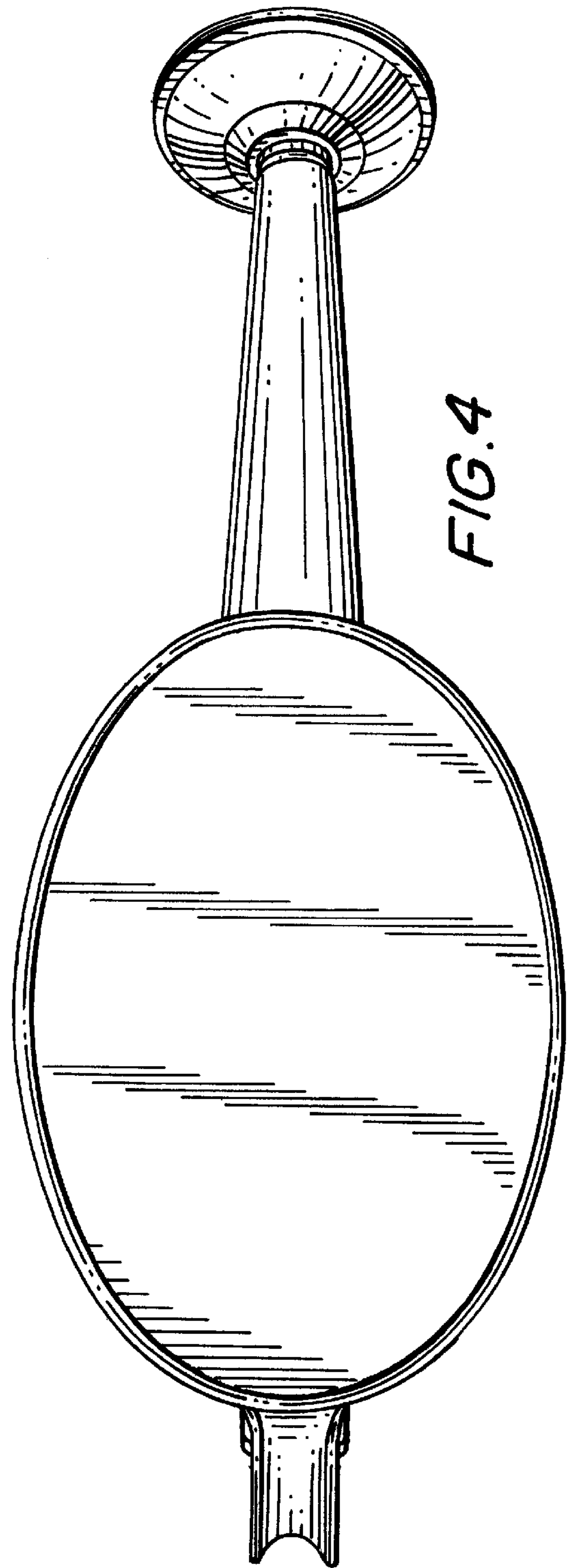
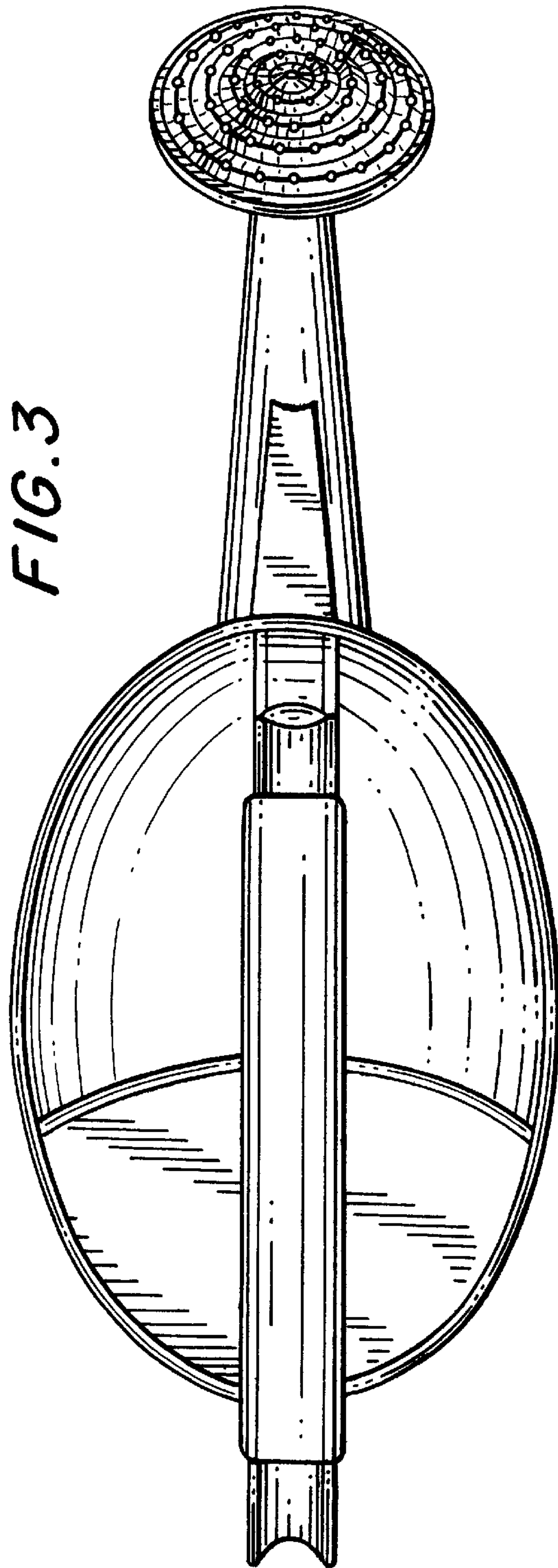


FIG. 6

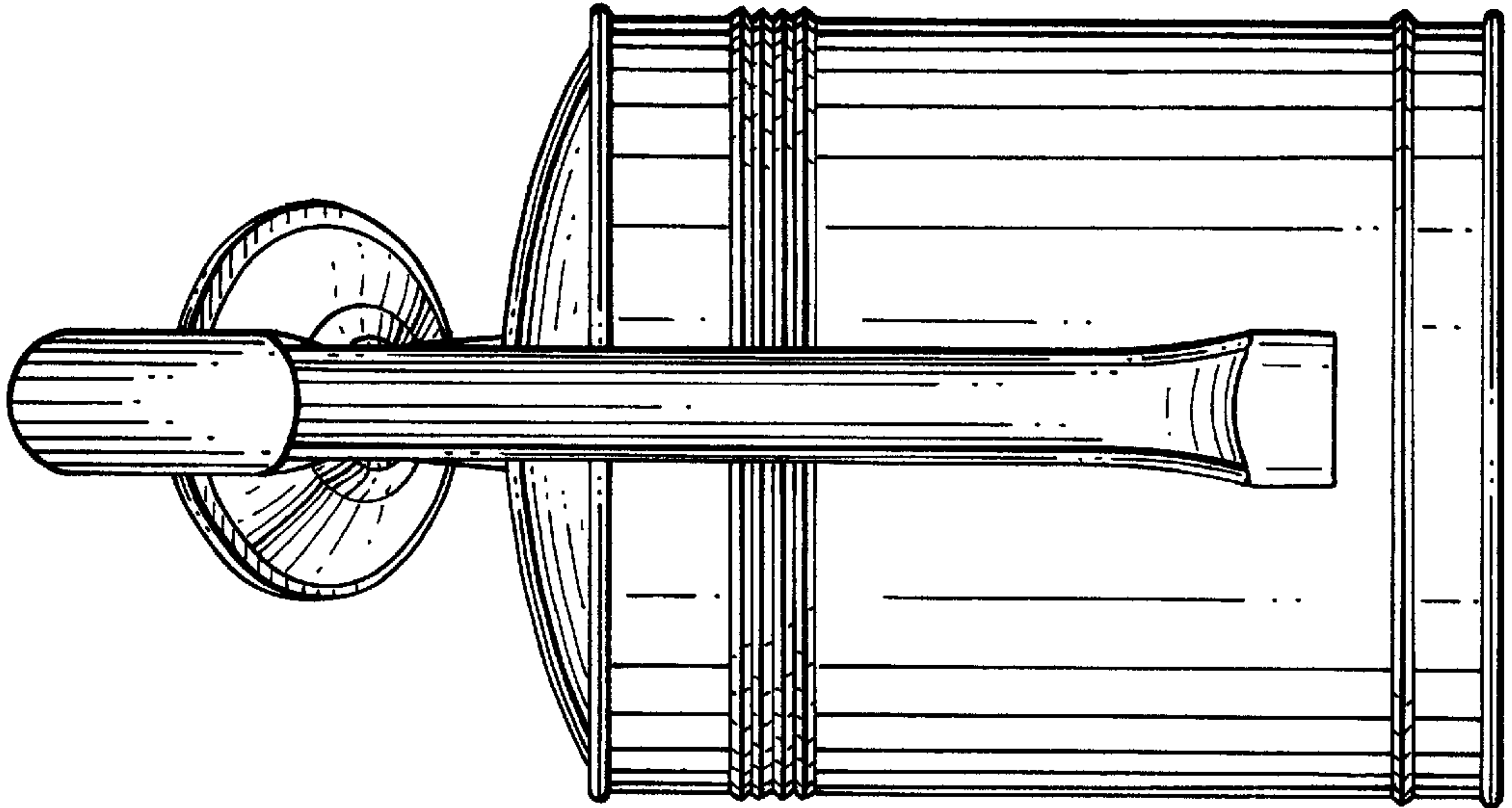


FIG. 5

