



US00D459430S

(12) **United States Design Patent**  
**Burke**

(10) **Patent No.:** **US D459,430 S**

(45) **Date of Patent:** **\*\* Jun. 25, 2002**

(54) **SPINCAST FISHING REEL BODY**

(75) Inventor: **Marde Burke**, Owasso, OK (US)

(73) Assignee: **W. C. Bradley/Zebco Holdings, Inc.**,  
Tulsa, OK (US)

(\*\*) Term: **14 Years**

(21) Appl. No.: **29/144,692**

(22) Filed: **Jul. 7, 2001**

(51) **LOC (7) Cl.** ..... **22-05**

(52) **U.S. Cl.** ..... **D22/140**

(58) **Field of Search** ..... D22/140, 141,  
D22/137, 138, 139; 242/234-240, 310,  
311, 312, 314, 319, 323; 43/20, 22

(56) **References Cited**

**U.S. PATENT DOCUMENTS**

D353,183 S	*	12/1994	Kirby	.....	D22/141
D380,521 S	*	7/1997	Rubbins	.....	D22/141
D404,109 S		1/1999	Zwayer et al.	.....	D22/141
D414,840 S	*	10/1999	Kirby	.....	D22/141
6,138,935 A		10/2000	Zwayer et al.	.....	242/311

**OTHER PUBLICATIONS**

Zebco Rods and Reels Catalog 2000, ©1999.

\* cited by examiner

*Primary Examiner*—Catherine R. Oliver

(74) *Attorney, Agent, or Firm*—Fellers, Snider,  
Blankenship, Bailey & Tippens, P.C.

(57) **CLAIM**

The ornamental design for a spincast fishing reel body, as shown.

**DESCRIPTION**

FIG. 1 is a perspective view from left side of a spincast fishing reel body showing my new design;

FIG. 2 is a left side elevational view thereof;

FIG. 3 is a top plan view thereof;

FIG. 4 is a right side elevational view thereof;

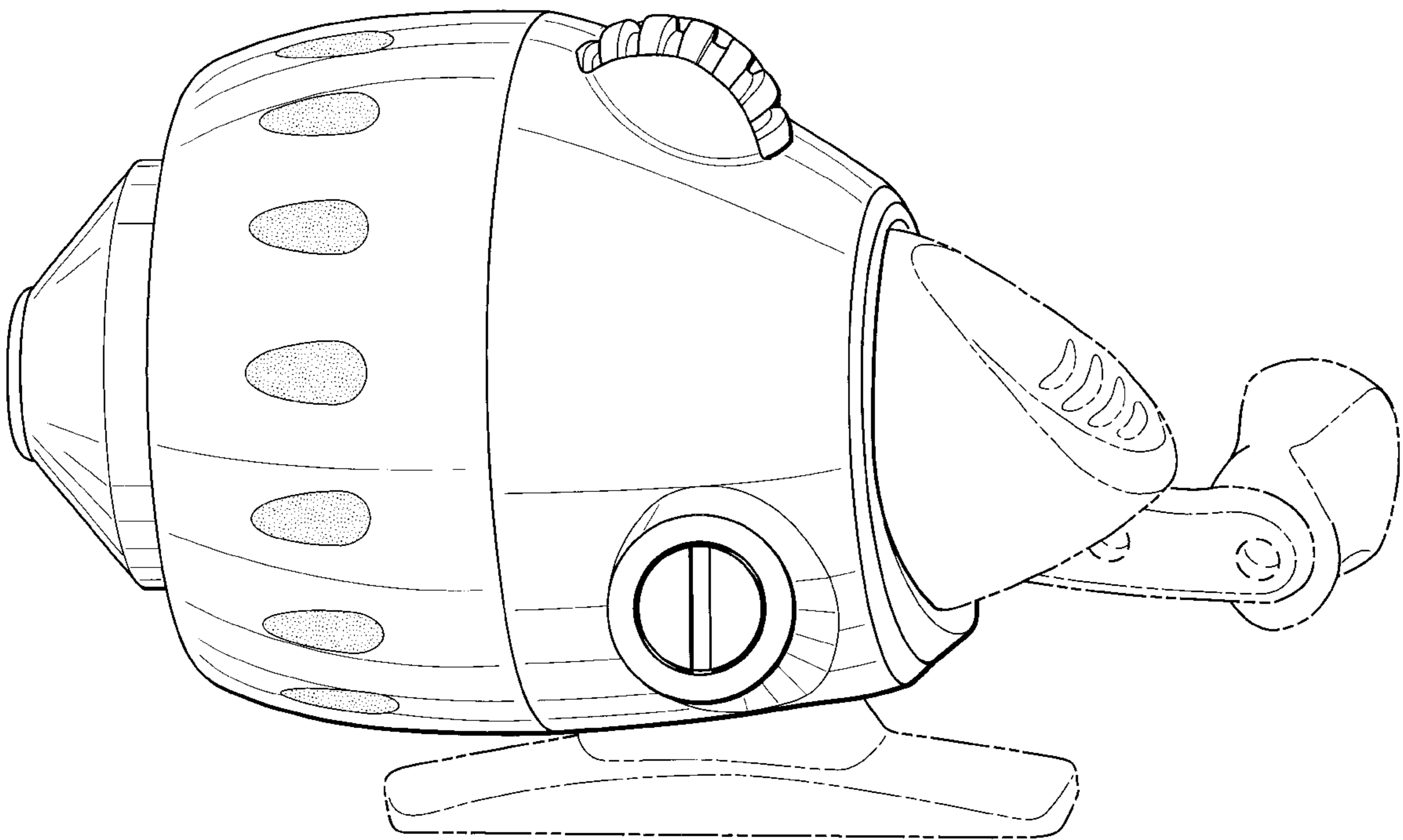
FIG. 5 is a bottom plan view thereof;

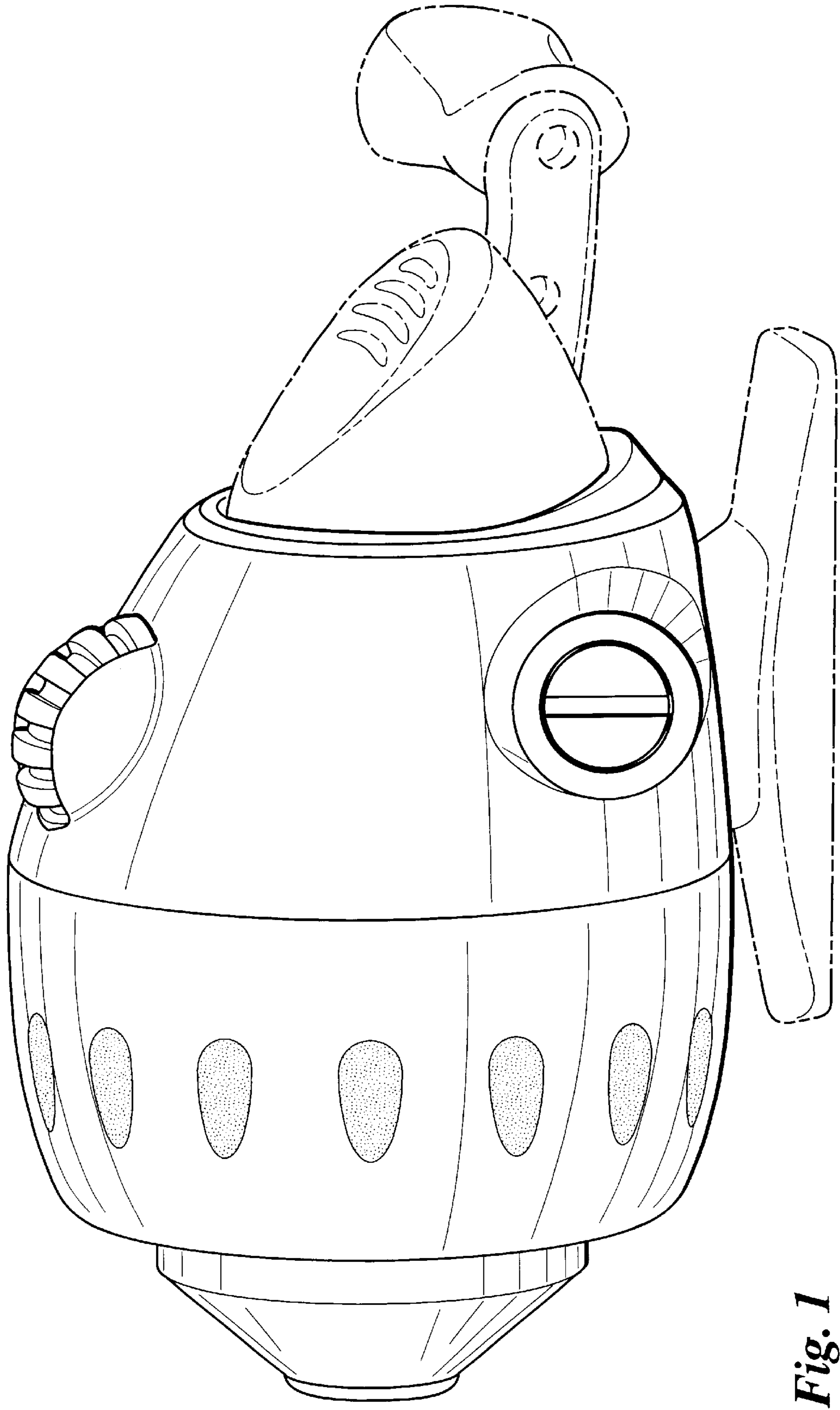
FIG. 6 is a rear elevational view thereof; and,

FIG. 7 is a front elevational view thereof.

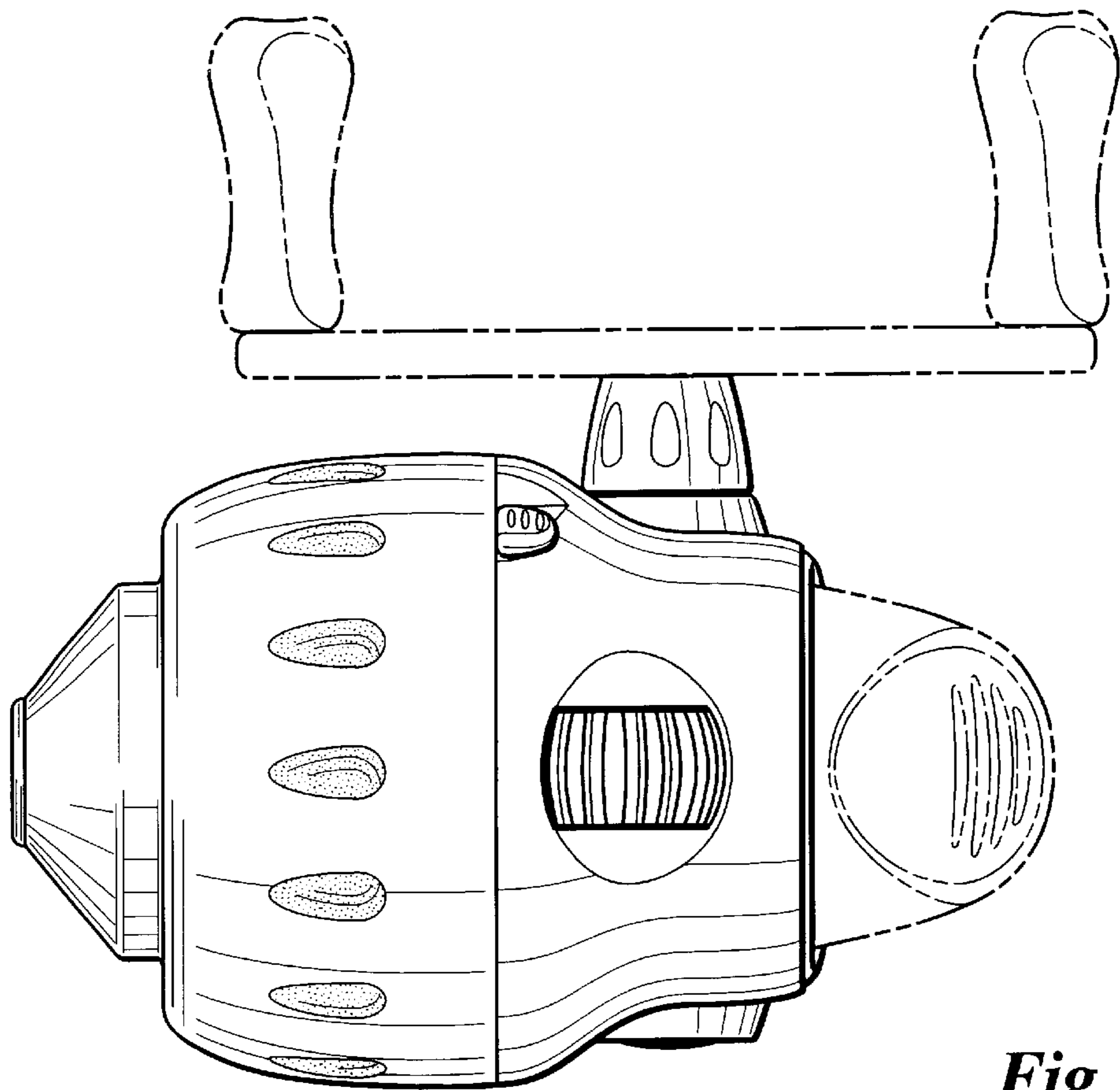
The broken line showing of environment in the drawings is for illustrative purposes only and forms no part of the claimed design.

**1 Claim, 4 Drawing Sheets**

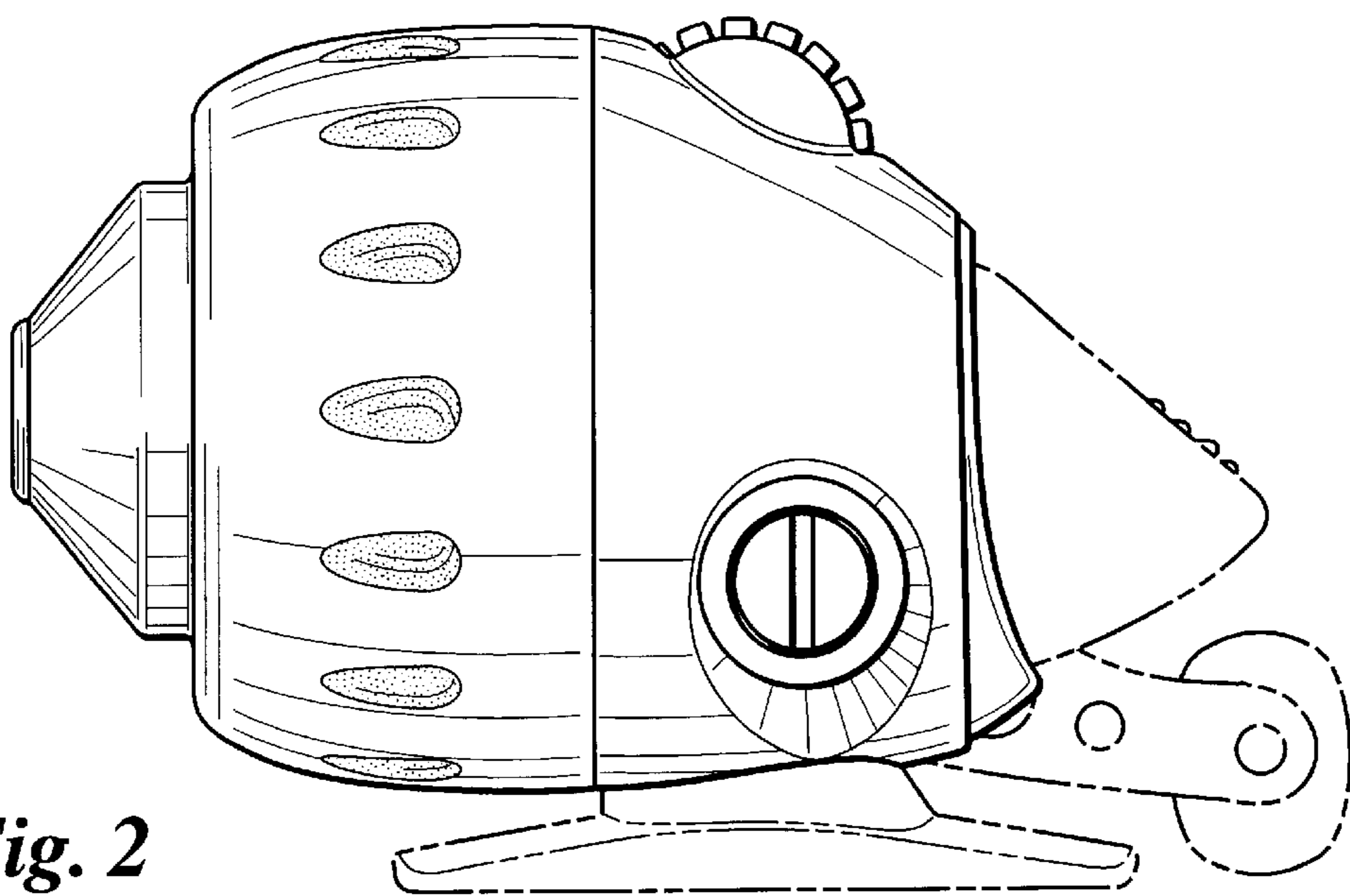




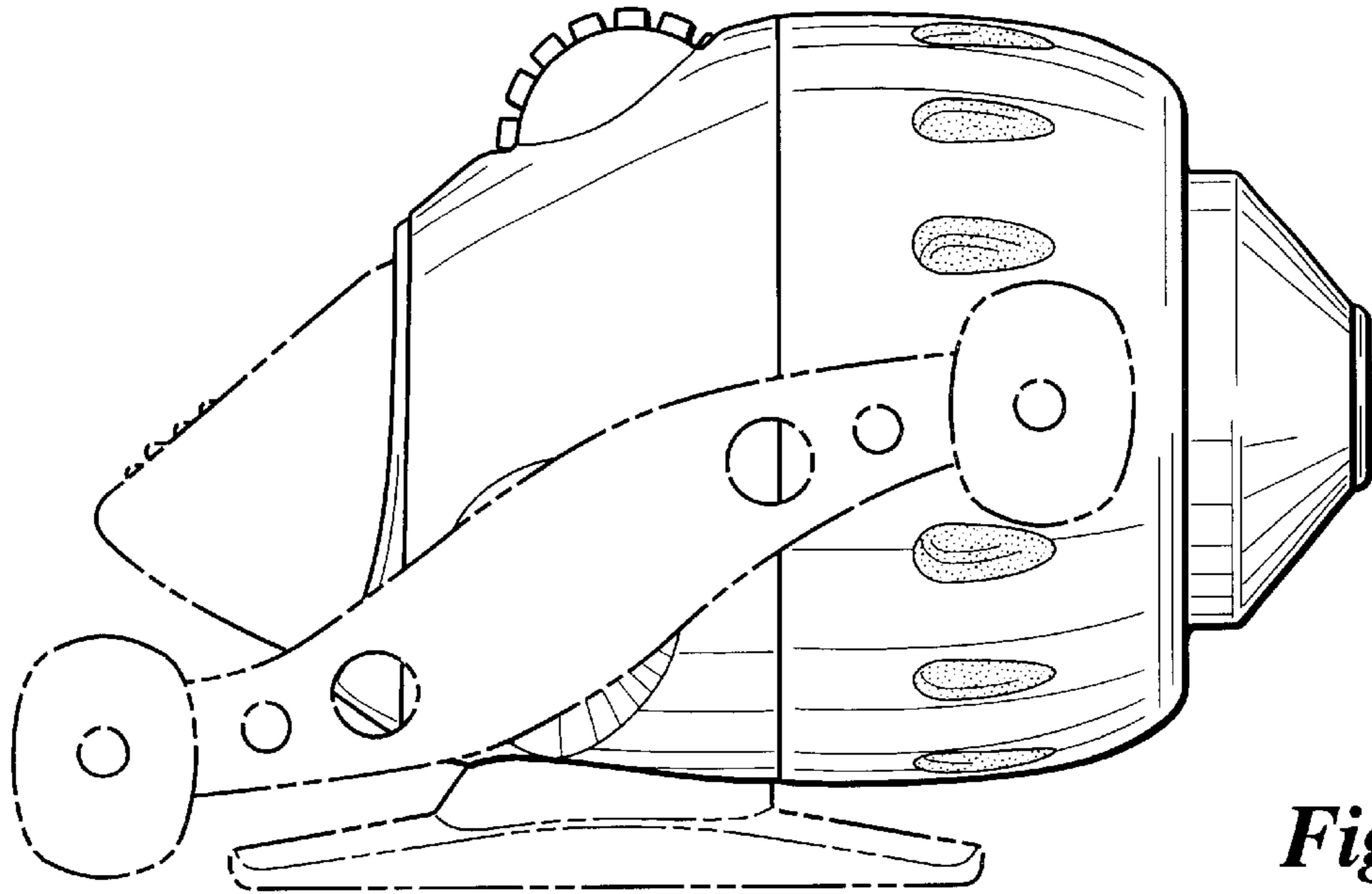
*Fig. 1*



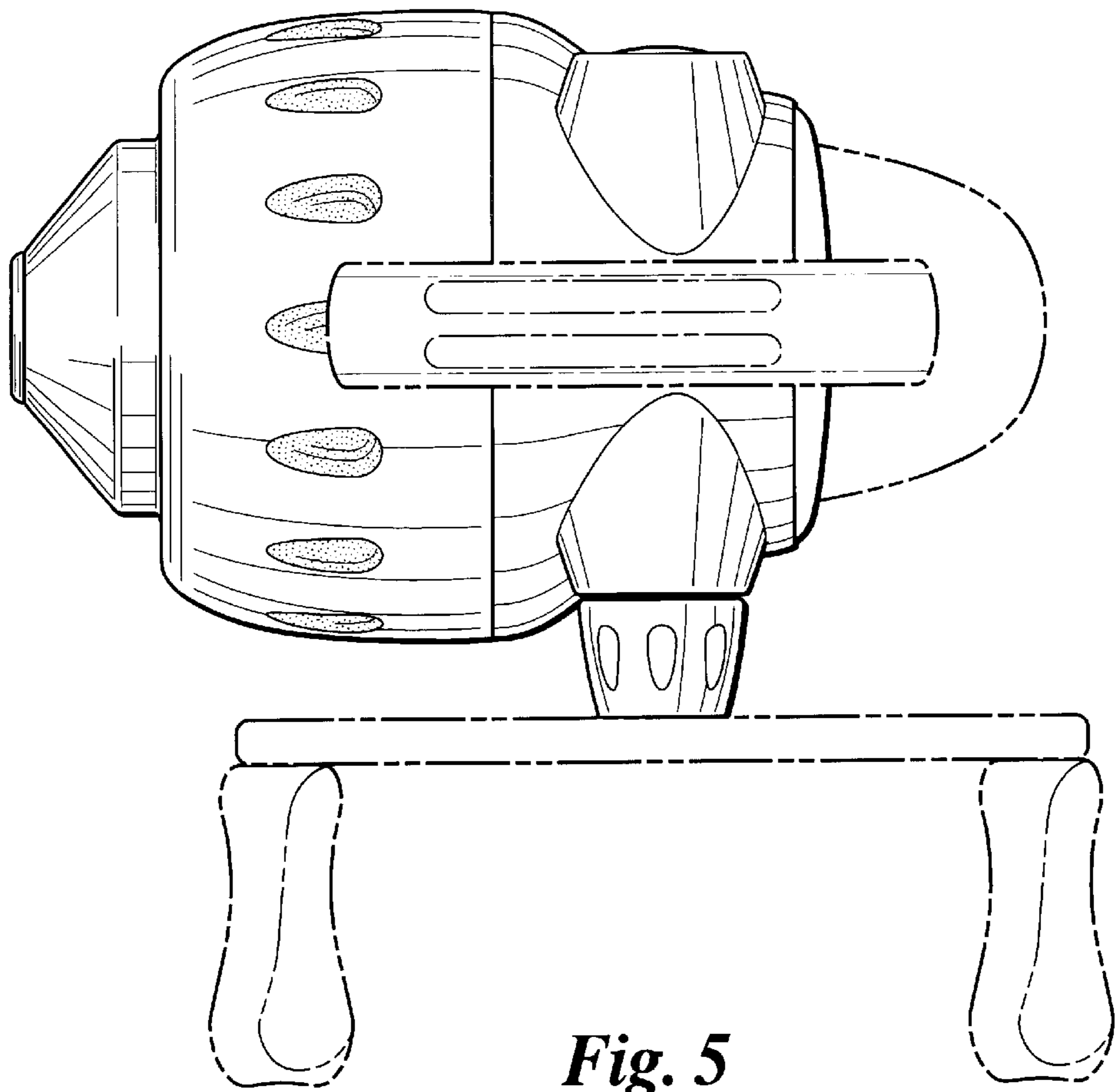
*Fig. 3*



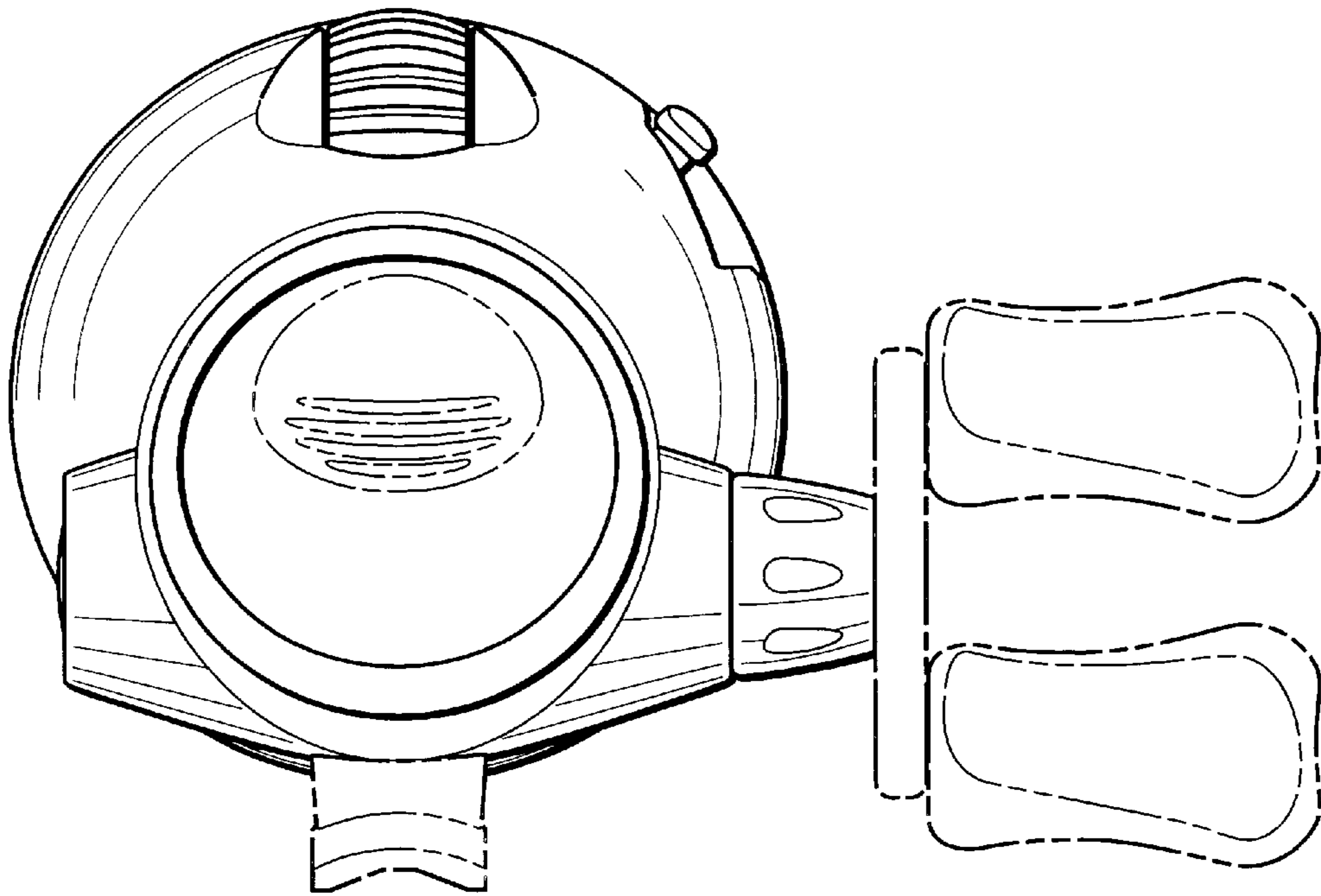
*Fig. 2*



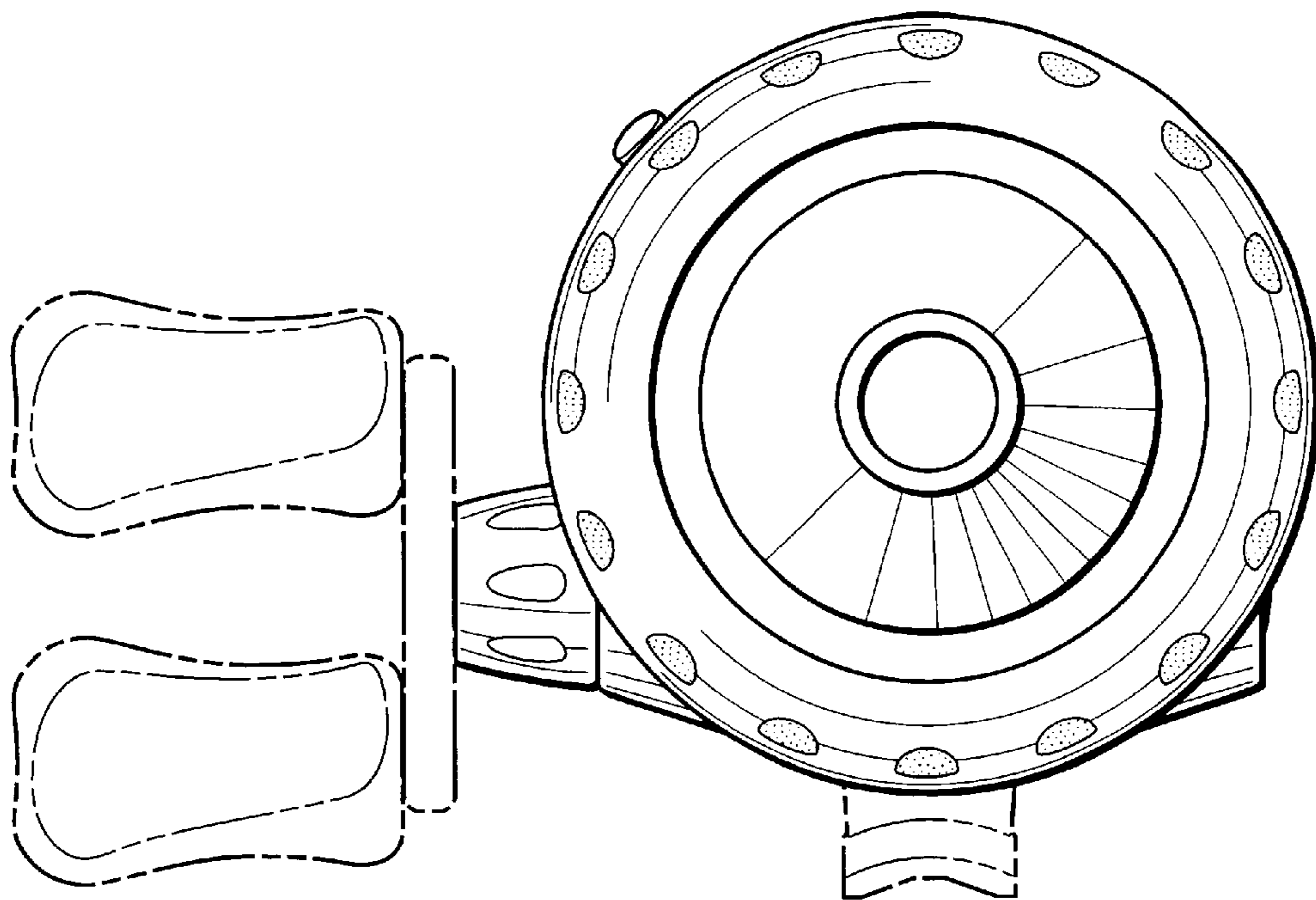
*Fig. 4*



*Fig. 5*



*Fig. 6*



*Fig. 7*