



US00D459428S

(12) **United States Design Patent**  
**Johnson et al.**

(10) **Patent No.:** **US D459,428 S**

(45) **Date of Patent:** **\*\* Jun. 25, 2002**

(54) **MULTI-CATCH RODENT TRAP**

D405,862 S \* 2/1999 Shultz ..... D22/119  
D441,828 S \* 5/2001 Leyerle et al. .... D22/119

(75) Inventors: **Daniel C. Johnson**, Madison; **James R. Walsh**, Wauwatosa; **Scott J. Collins**, Brown Deer, all of WI (US)

**OTHER PUBLICATIONS**

Victor ® “Mice” Trap photographs.  
“Thirty Mice, No Winding,” Pest Control, Aug. 1995, p. 83.

(73) Assignee: **Bell Laboratories, Inc.**, Madison, WI (US)

\* cited by examiner

(\*\*) Term: **14 Years**

*Primary Examiner*—Catherine R. Oliver  
(74) *Attorney, Agent, or Firm*—Lathrop & Clark LLP

(21) Appl. No.: **29/143,000**

(22) Filed: **Jun. 5, 2001**

(57) **CLAIM**

The ornamental design for a multi-catch rodent trap, as shown and described.

(51) **LOC (7) Cl.** ..... **22-05**

(52) **U.S. Cl.** ..... **D22/119**

(58) **Field of Search** ..... D22/119–125;  
43/81, 81.5, 82, 83, 61, 121, 131, 132.1

**DESCRIPTION**

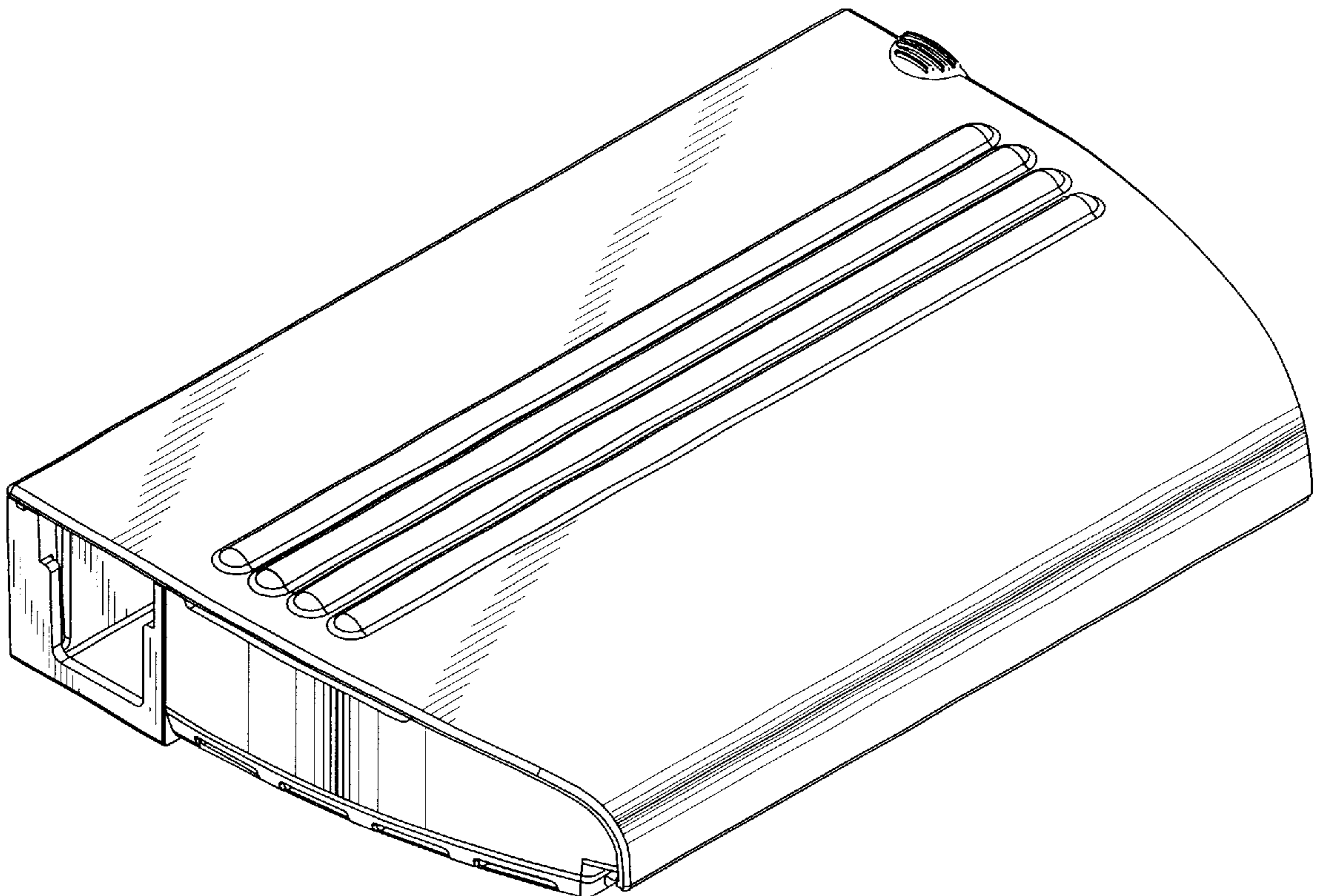
(56) **References Cited**

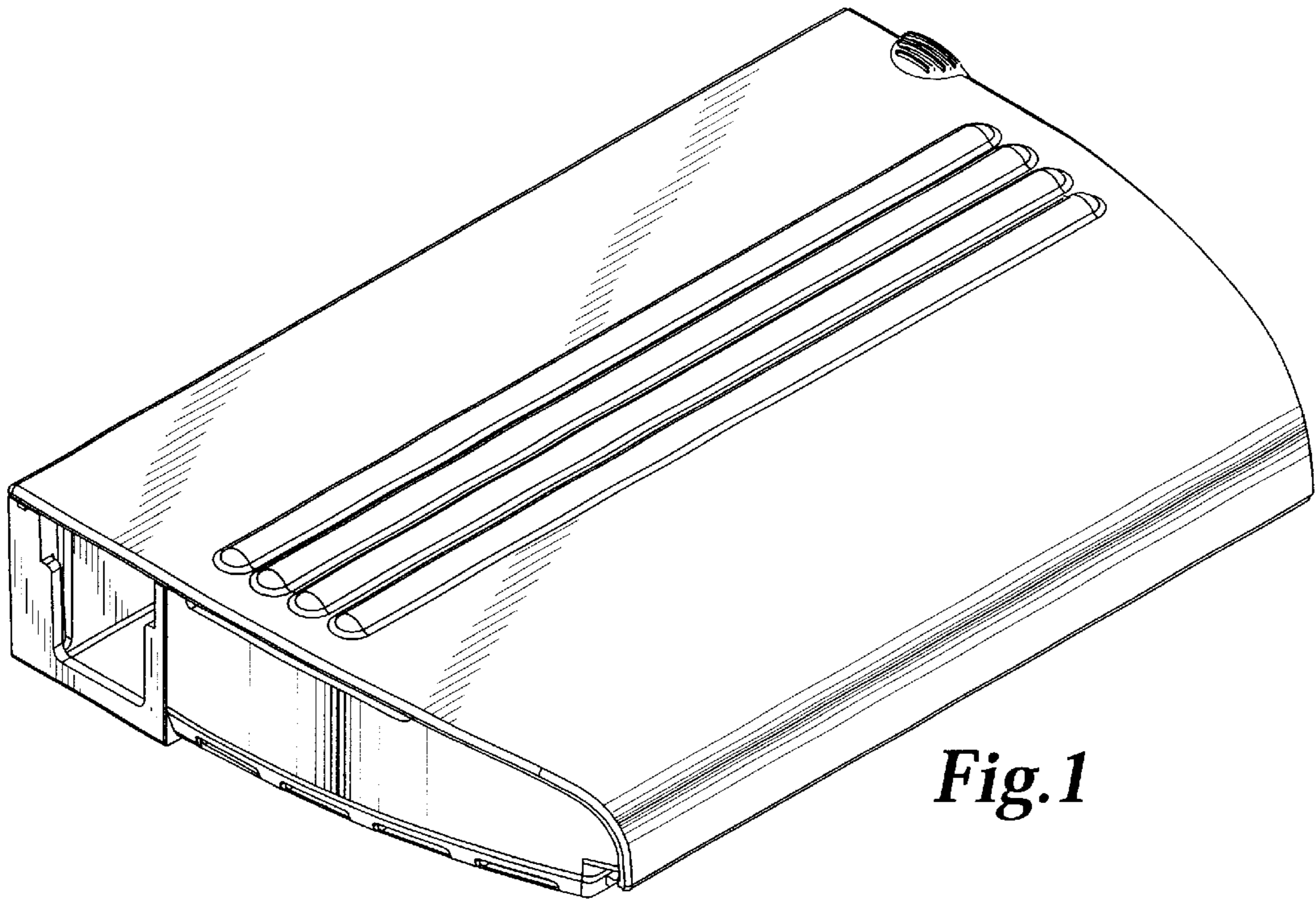
**U.S. PATENT DOCUMENTS**

1,407,861	A	2/1922	Hiatt	.....	43/69
4,161,079	A	7/1979	Hill	.....	43/58
4,413,439	A	* 11/1983	Lindley	.....	43/61
D329,690	S	* 9/1992	Herrick et al.	.....	D23/324
D385,611	S	* 10/1997	Prince et al.	.....	D22/119
5,673,509	A	10/1997	Gatewood, Jr.	.....	43/58

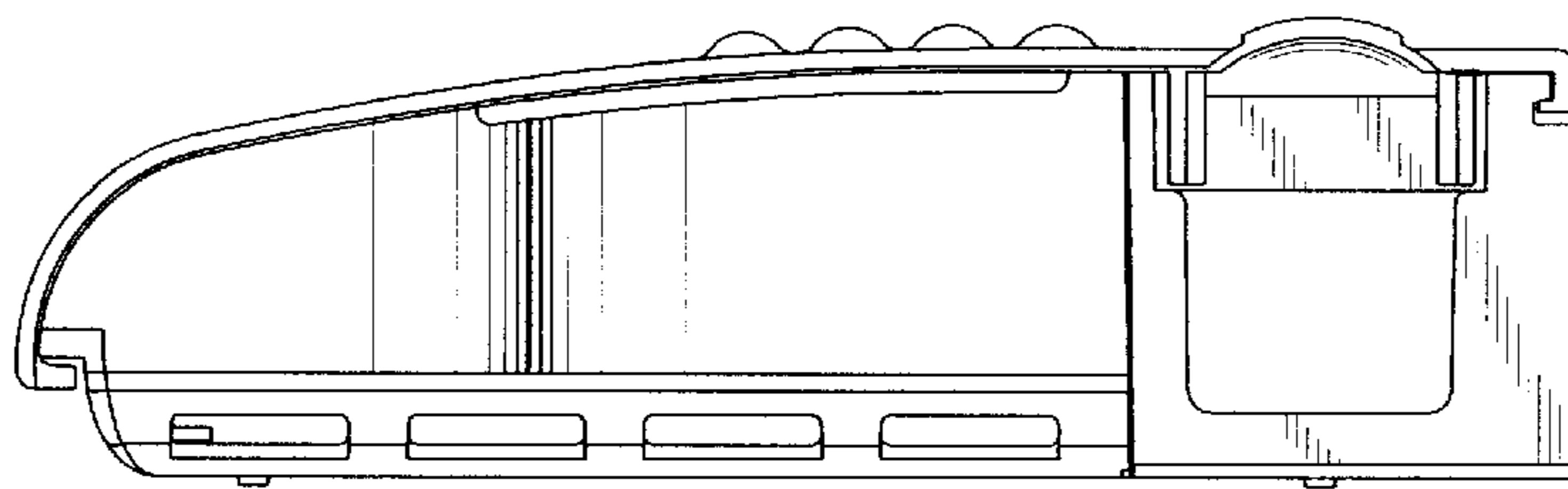
FIG. 1 is an isometric view of the multi-catch rodent trap of this invention;  
FIG. 2 is a right side elevational view thereof;  
FIG. 3 is a left side elevational view thereof;  
FIG. 4 is a top plan view thereof;  
FIG. 5 is a bottom plan view; and  
FIG. 6 is a front elevational view thereof; and,  
FIG. 7 is a rear elevational view thereof.

**1 Claim, 3 Drawing Sheets**

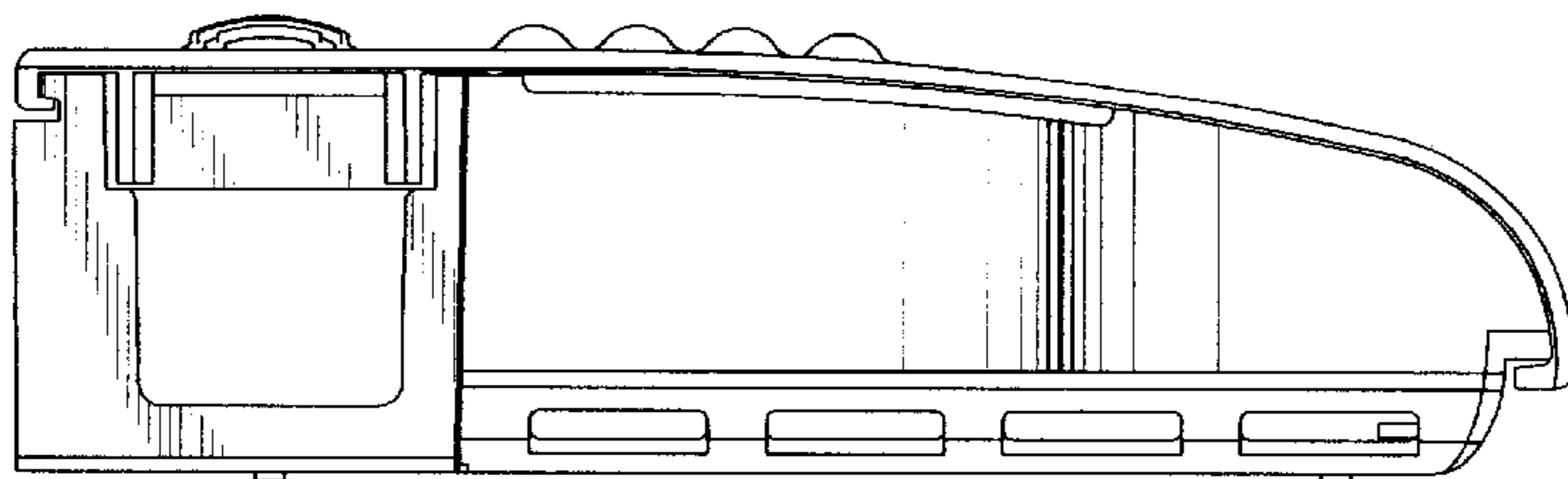




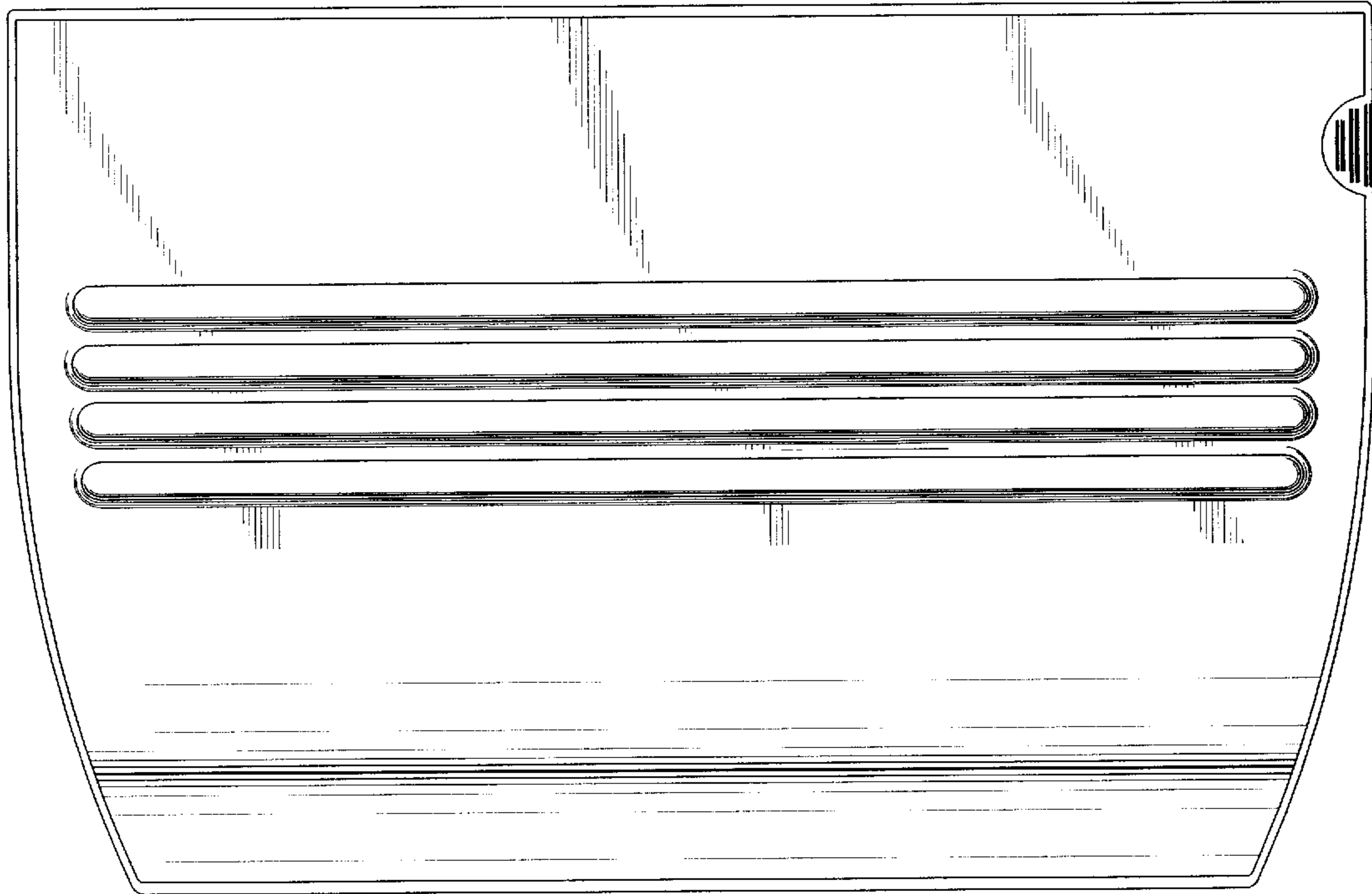
*Fig.1*



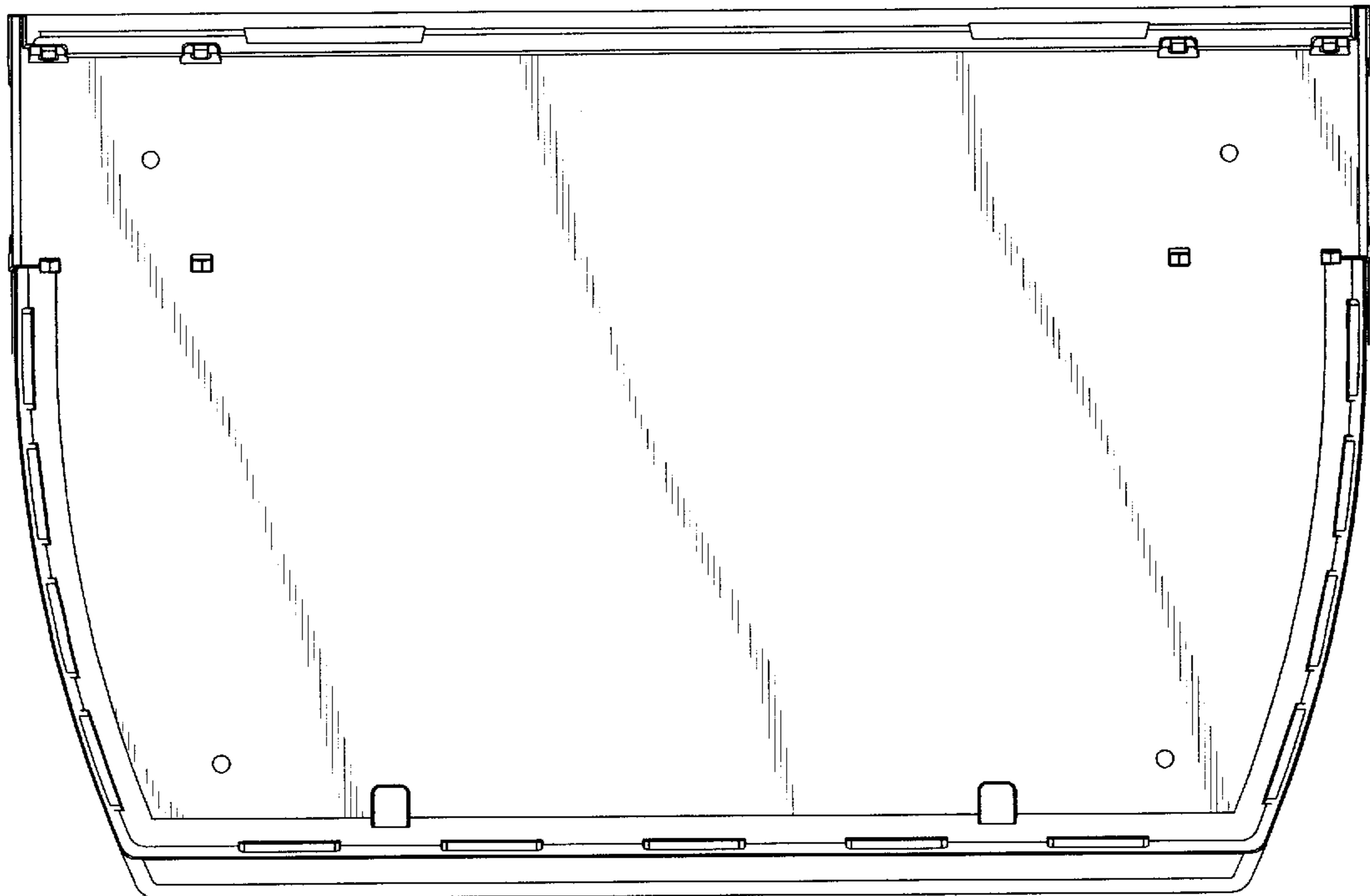
*Fig.2*



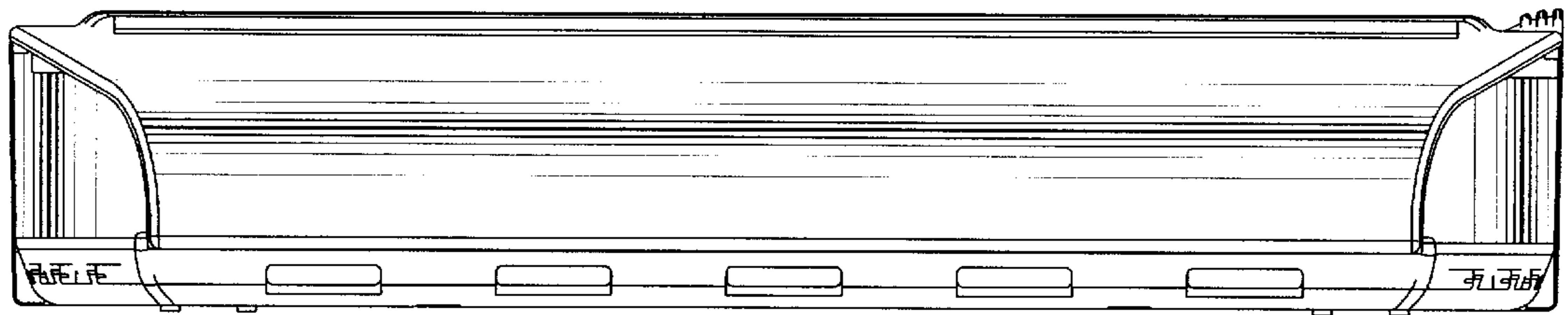
*Fig.3*



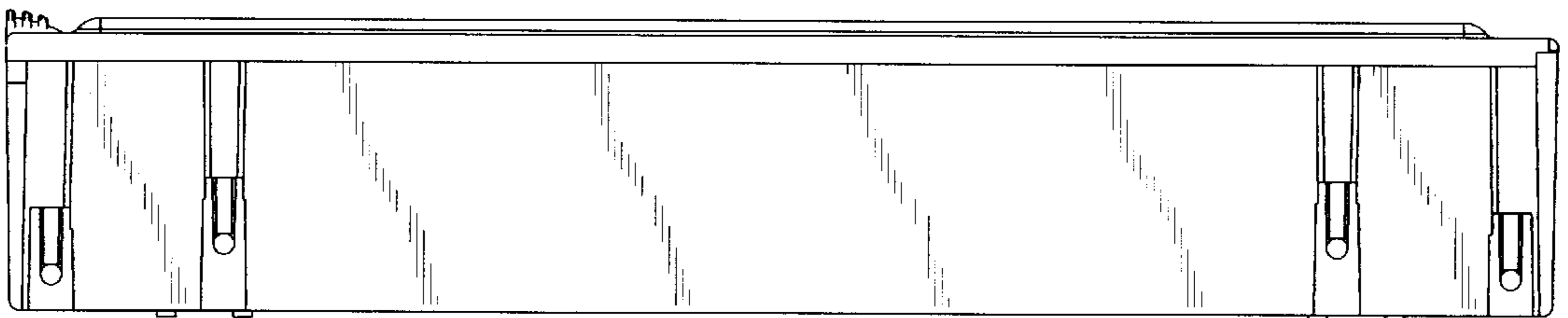
*Fig.4*



*Fig.5*



*Fig. 6*



*Fig. 7*