



US00D459426S

(12) **United States Design Patent**
Wang

(10) **Patent No.:** **US D459,426 S**

(45) **Date of Patent:** **** Jun. 25, 2002**

(54) **GOLF PRACTICE DEVICE**

(76) Inventor: **Austin Wang**, 3F-1, No. 215,
Cheng-Teh Road, Sec. 2, Taipei (TW)

(**) Term: **14 Years**

(21) Appl. No.: **29/144,395**

(22) Filed: **Jun. 28, 2001**

(30) **Foreign Application Priority Data**

Feb. 23, 2001 (TW) 090301144

(51) **LOC (7) Cl.** **21-02**

(52) **U.S. Cl.** **D21/791**

(58) **Field of Search** D21/791, 789;
473/139, 140, 143, 146; 206/315.1, 315.9

(56) **References Cited**

U.S. PATENT DOCUMENTS

- 2,929,632 A * 3/1960 Moffatt 473/143
- 4,496,156 A * 1/1985 Centafanti 473/143
- 4,861,035 A * 8/1989 Page 473/140
- 4,932,660 A * 6/1990 Wang 473/143

- D319,092 S * 8/1991 Dennesen D21/791
- 5,121,923 A * 6/1992 D'Allura 473/140
- D391,333 S * 2/1998 Russell D21/791

* cited by examiner

Primary Examiner—Mitchell Siegel

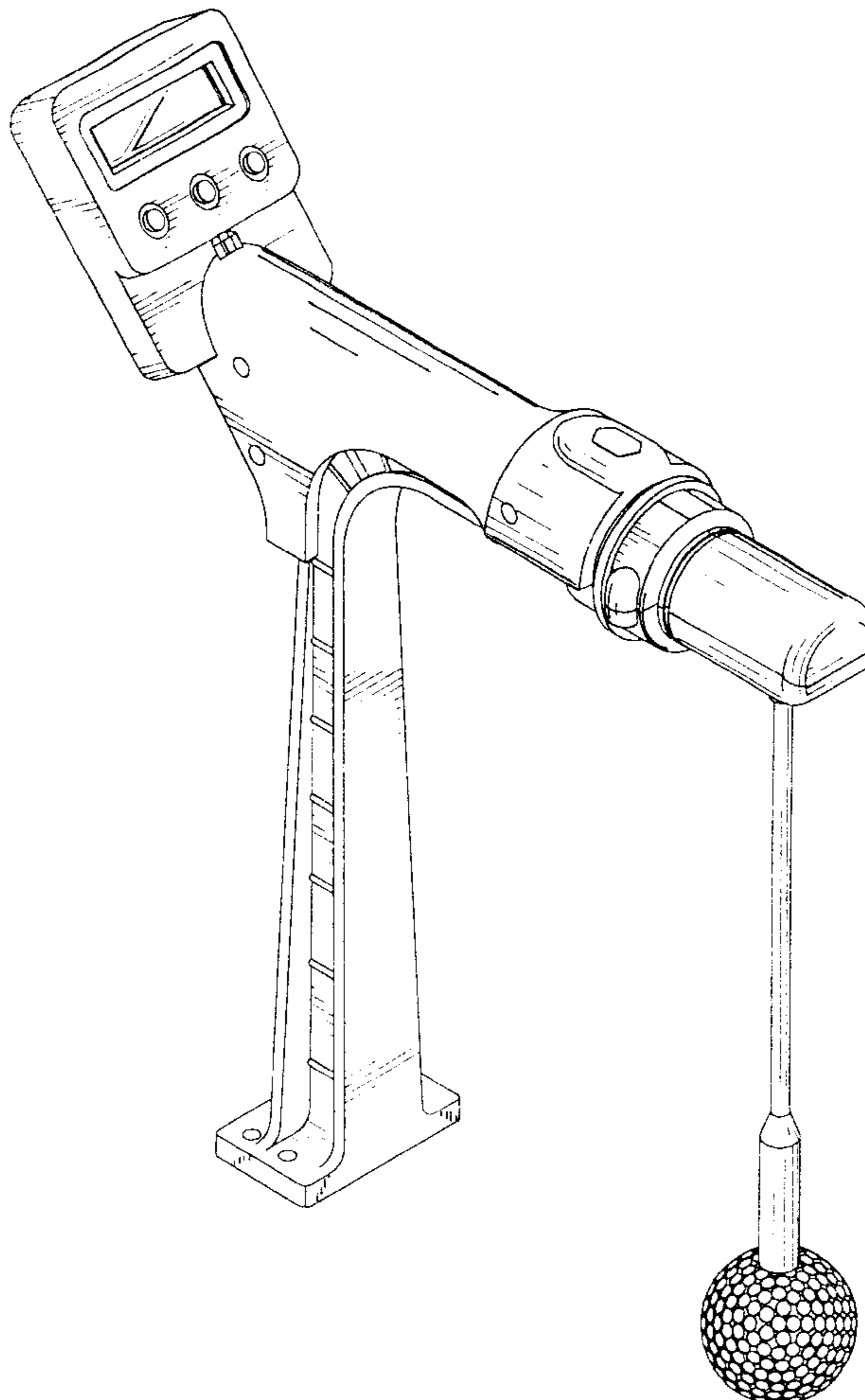
(57) **CLAIM**

The ornamental design for golf practice device, as shown and described.

DESCRIPTION

FIG. 1 is a perspective view of a golf practice device showing my new design;
 FIG. 2 is a front elevational view;
 FIG. 3 is a rear elevational view;
 FIG. 4 is a left side elevational view;
 FIG. 5 is a right side elevational view;
 FIG. 6 is a top plan view;
 FIG. 7 is a bottom plan view; and,
 FIG. 8 is a perspective view of the golf practice mat, the broken line showing of the mat is for illustrative purposes only and forms no part of the claimed design.

1 Claim, 6 Drawing Sheets



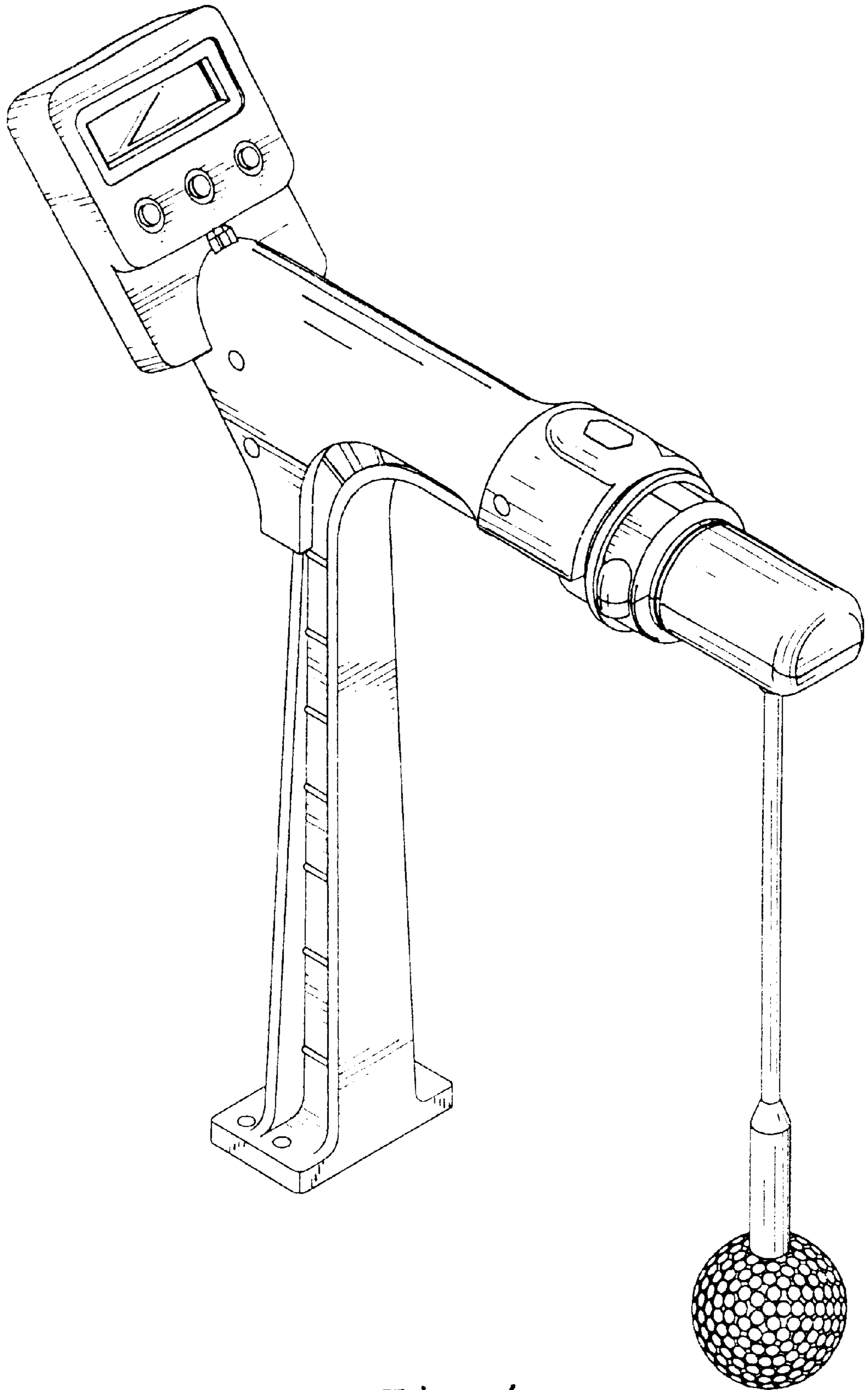


Fig. 1

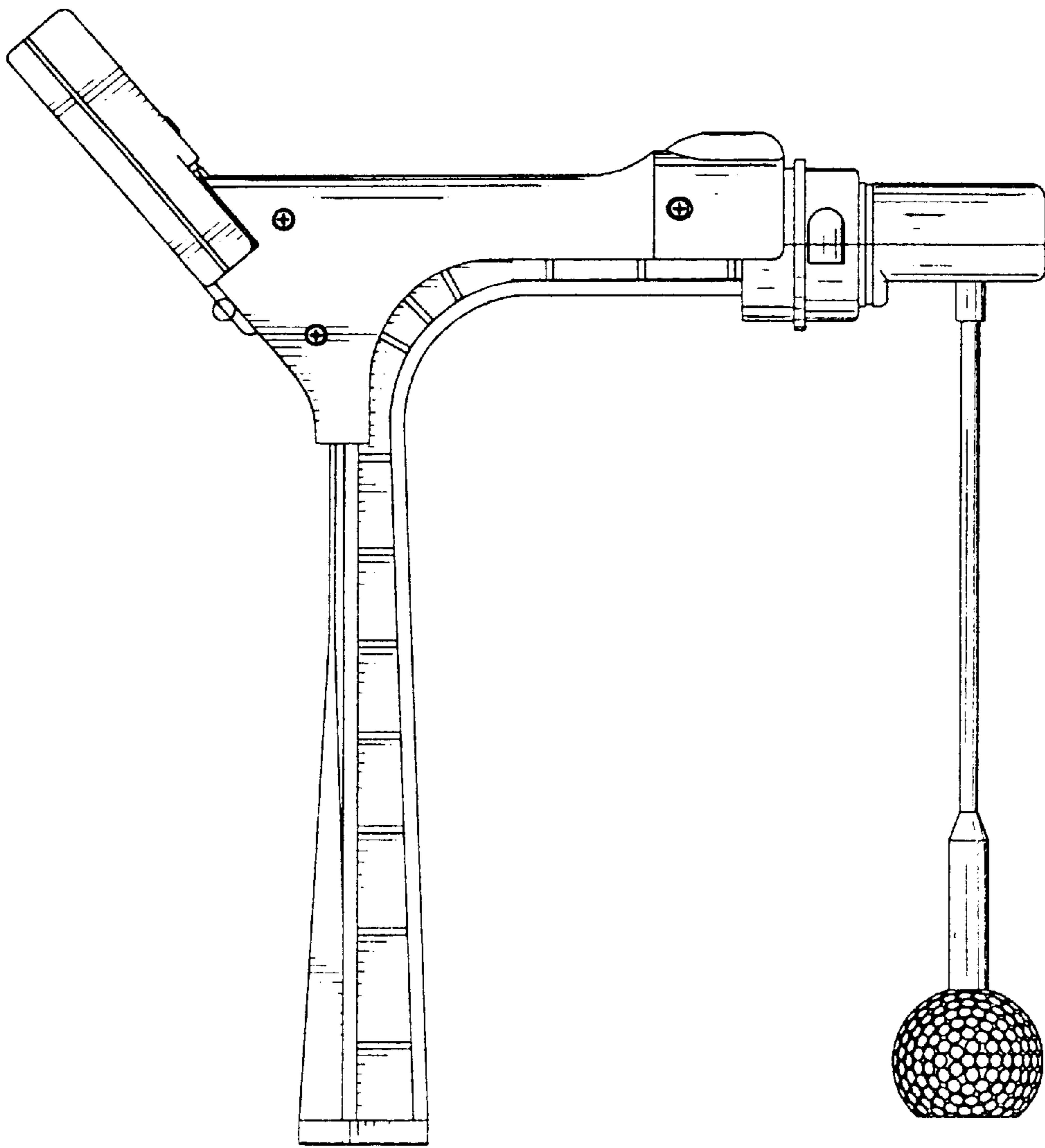


Fig. 2

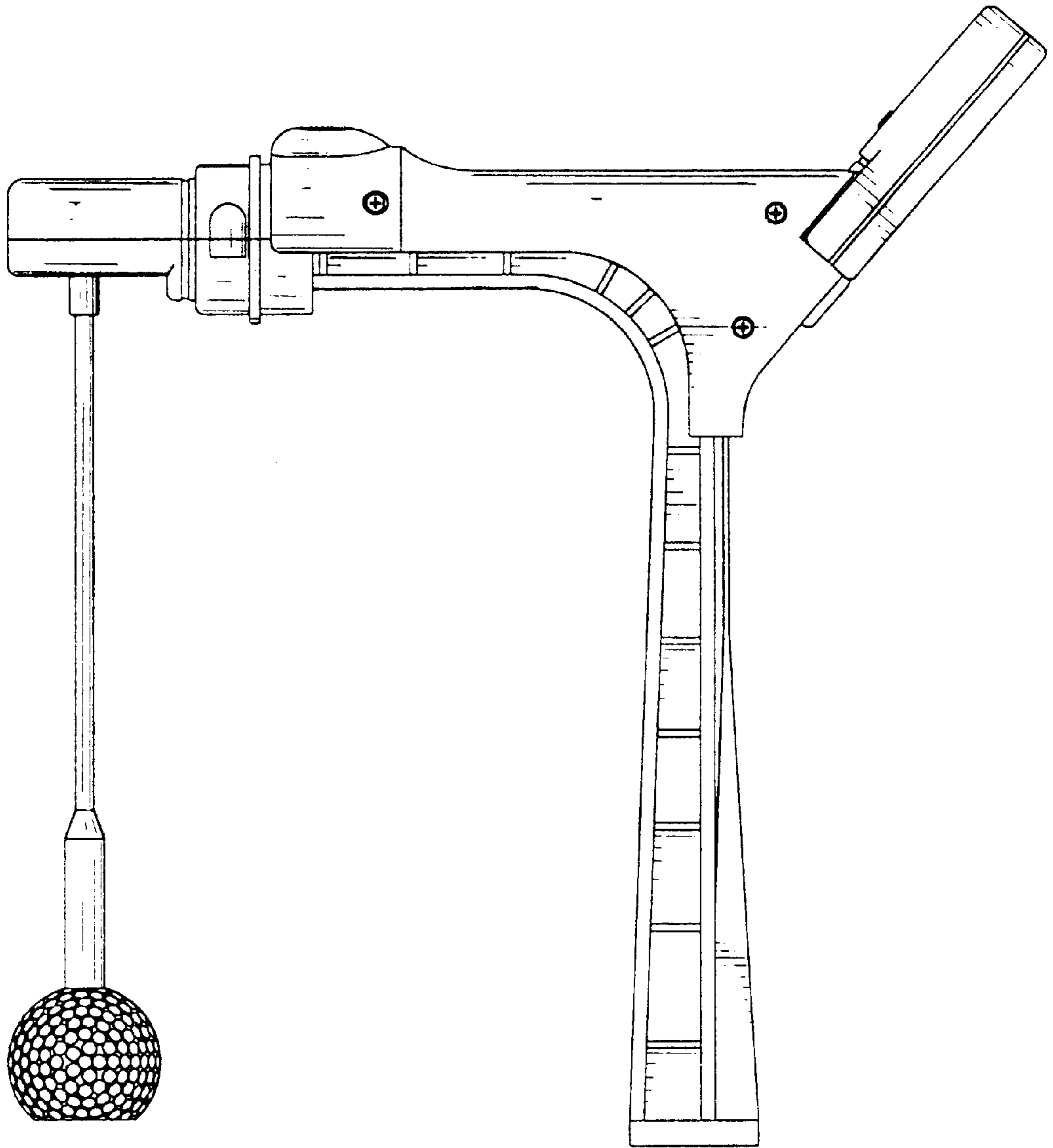


Fig. 3

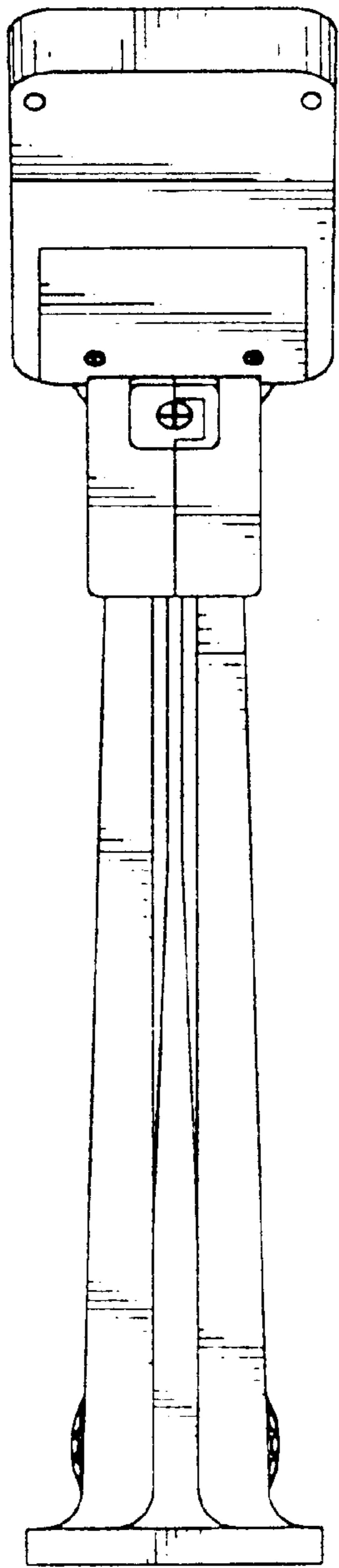


Fig. 4

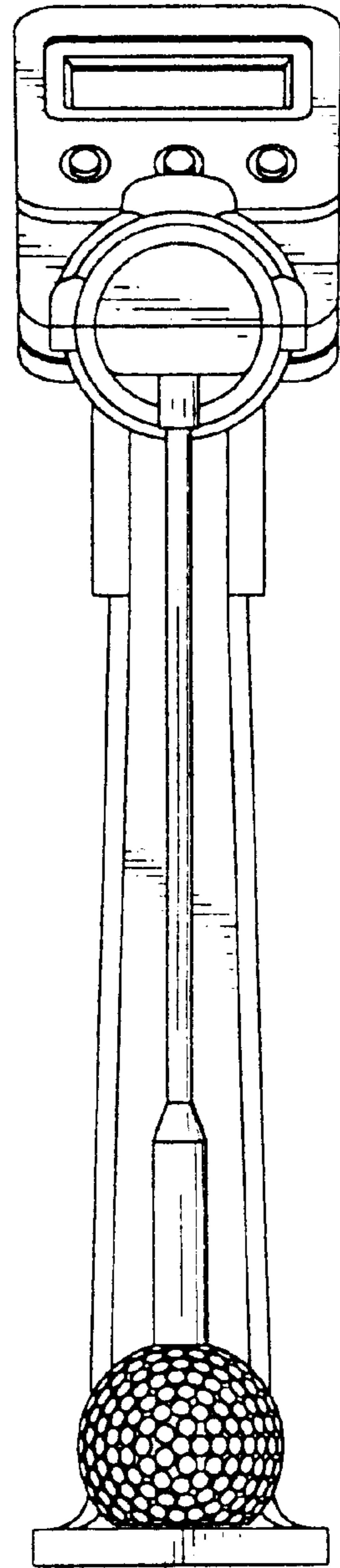


Fig. 5

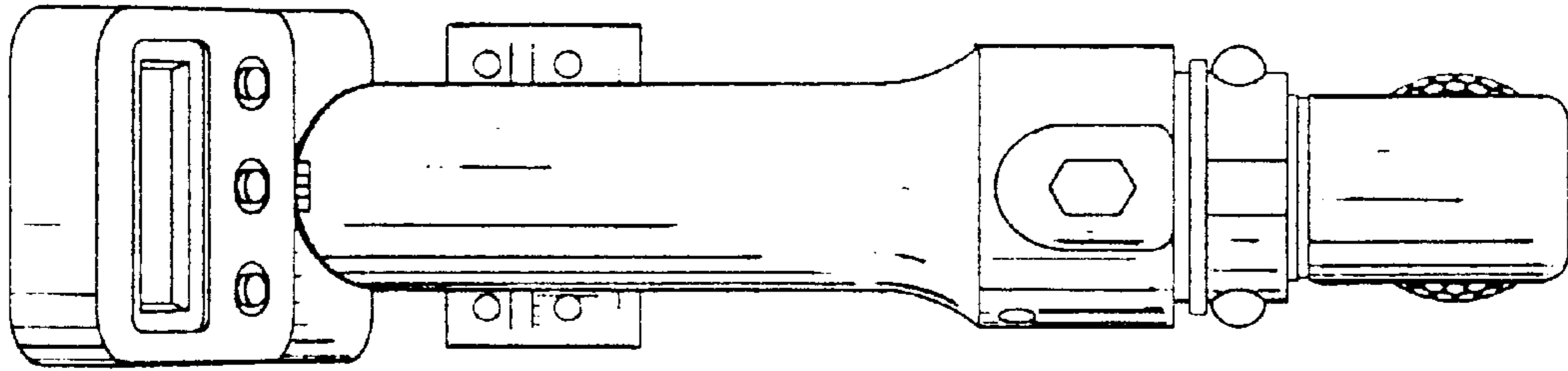


Fig. 6

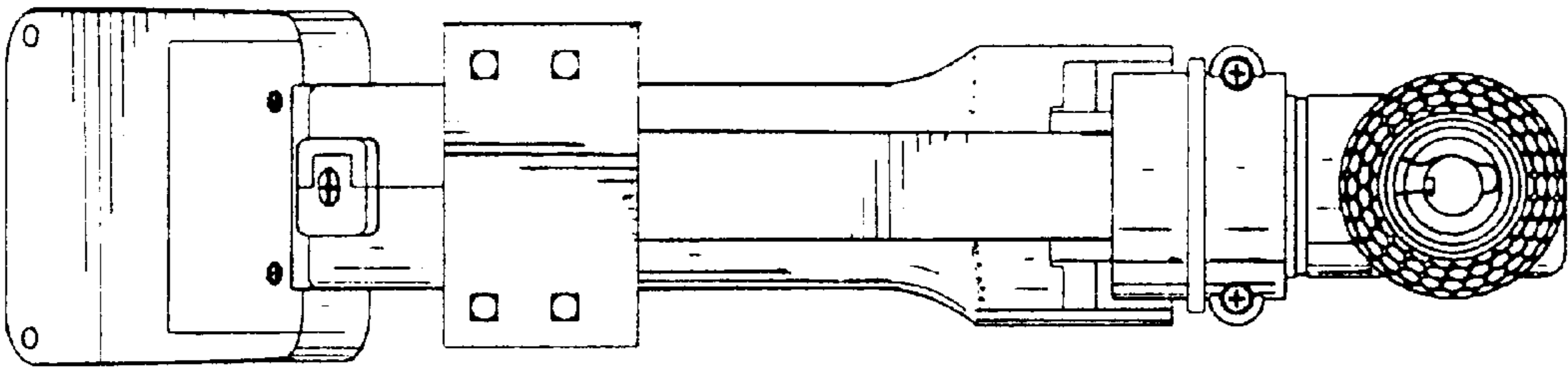


Fig. 7

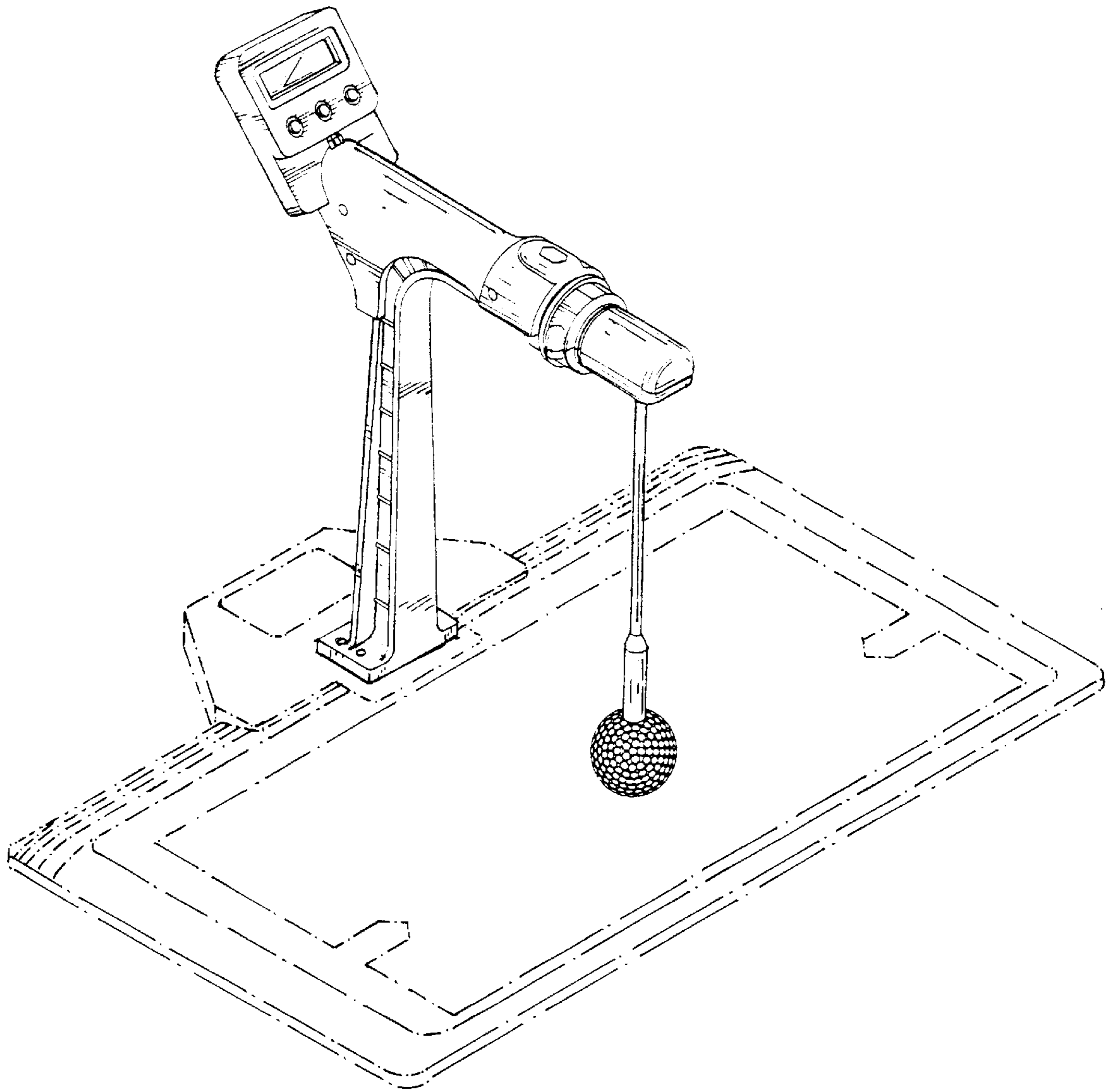


Fig. 8