



US00D459424S

(12) **United States Design Patent**  
**Asplund et al.**

(10) **Patent No.:** **US D459,424 S**

(45) **Date of Patent:** **\*\* Jun. 25, 2002**

(54) **GOLF CLUB**

(75) Inventors: **Brad G. Asplund; Peter Salm**, both of  
County of Salt Lake, UT (US)

(73) Assignee: **Brakeout Technology, L.L.C.**,  
Taylorsville, UT (US)

(\*\*) Term: **14 Years**

(21) Appl. No.: **29/142,206**

(22) Filed: **May 21, 2001**

(51) **LOC (7) Cl.** ..... **21-02**

(52) **U.S. Cl.** ..... **D21/747**

(58) **Field of Search** ..... **D21/747-751;**  
**473/324, 327-331, 350**

(56) **References Cited**

**U.S. PATENT DOCUMENTS**

- D212,293 S \* 9/1968 Brown, Jr. .... D21/751
- 3,719,359 A 3/1973 Evans et al.
- D228,564 S \* 10/1973 Braly ..... D21/751

- 4,869,508 A 9/1989 Miller
- 5,000,455 A 3/1991 Beilfuss, Sr.
- 5,695,409 A \* 12/1997 Jackson ..... 473/327
- D419,214 S 1/2000 Hamm

\* cited by examiner

*Primary Examiner*—Mitchell Siegel

(74) *Attorney, Agent, or Firm*—Workman, Nydegger &  
Seeley

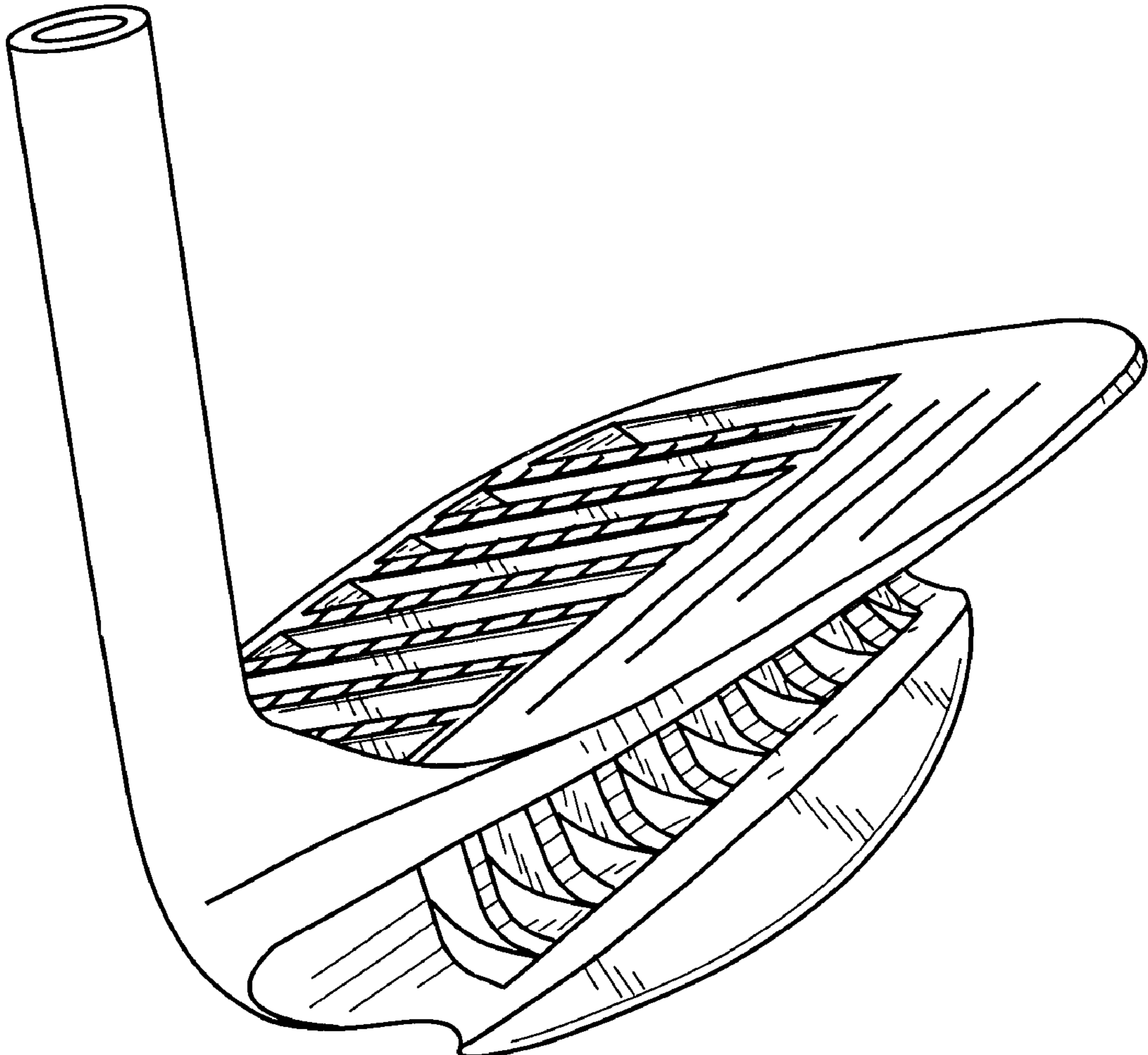
(57) **CLAIM**

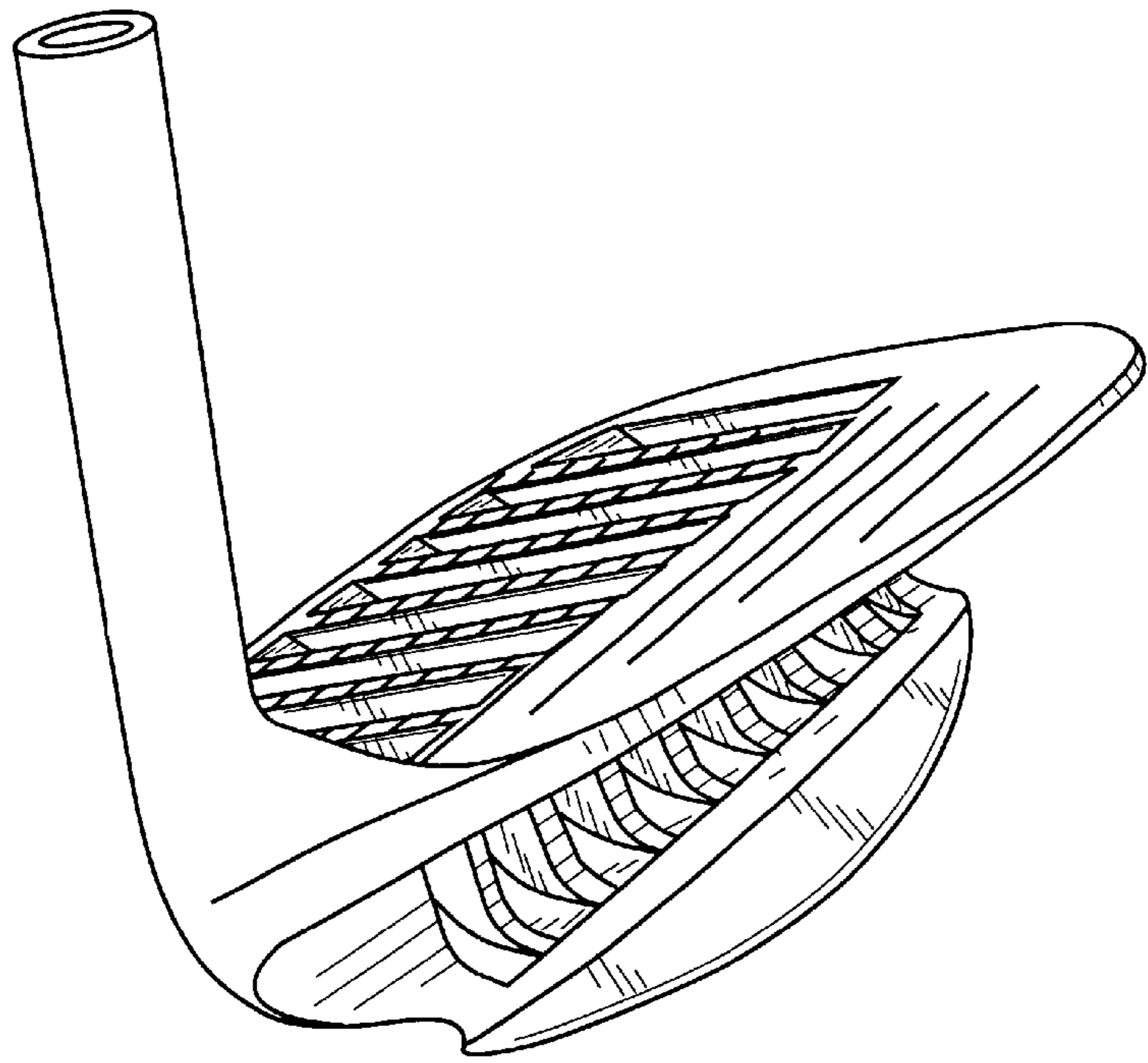
The ornamental design for the golf club, as shown and  
described.

**DESCRIPTION**

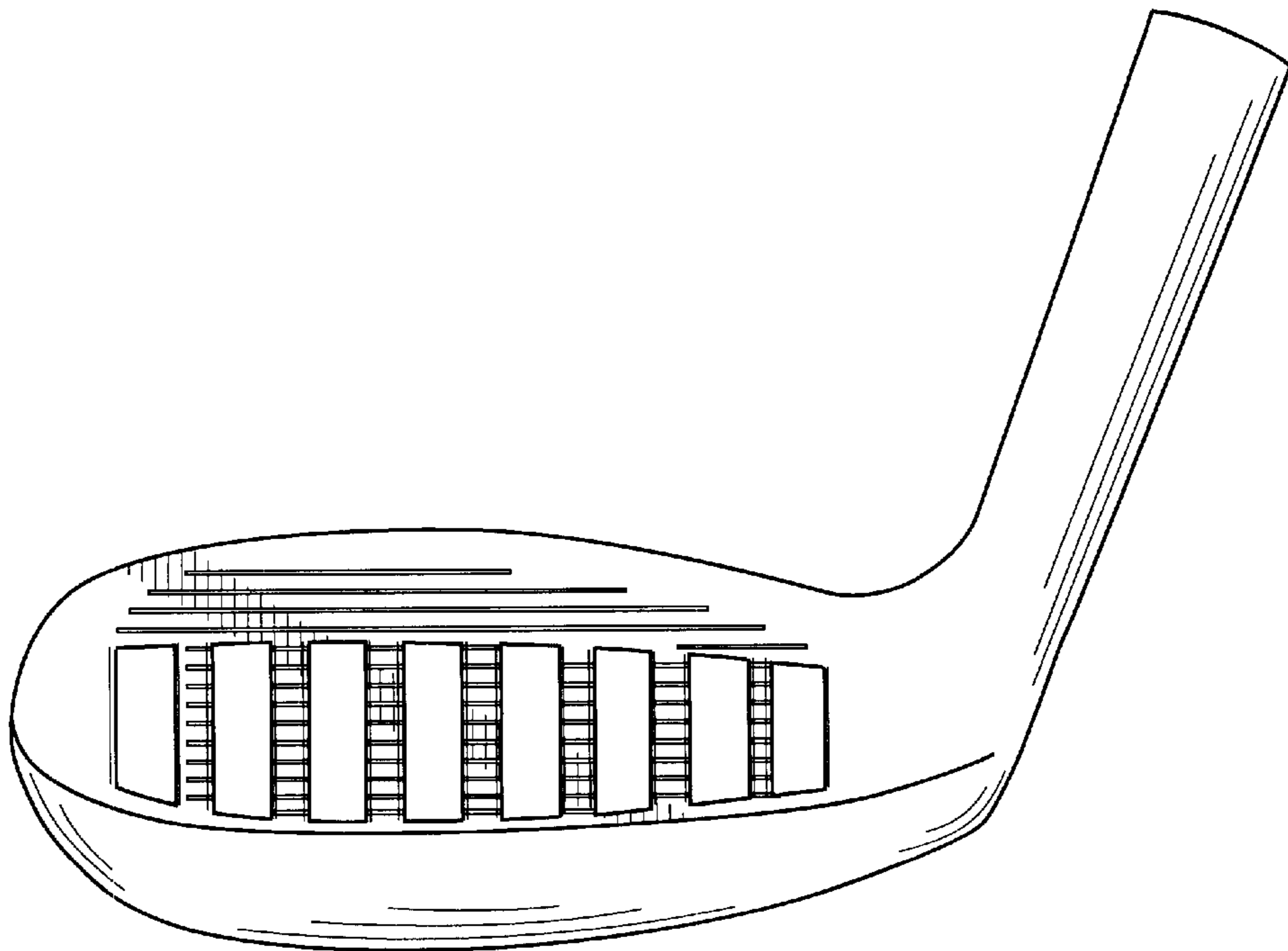
FIG. 1 is a perspective view of the golf club;  
FIG. 2 is a front side view of the golf club;  
FIG. 3 is a back side view of the golf club;  
FIG. 4 is a left side view of the golf club;  
FIG. 5 is a right side view of the golf club;  
FIG. 6 is a top view of the golf club; and,  
FIG. 7 is a bottom view of the golf club.

**1 Claim, 4 Drawing Sheets**

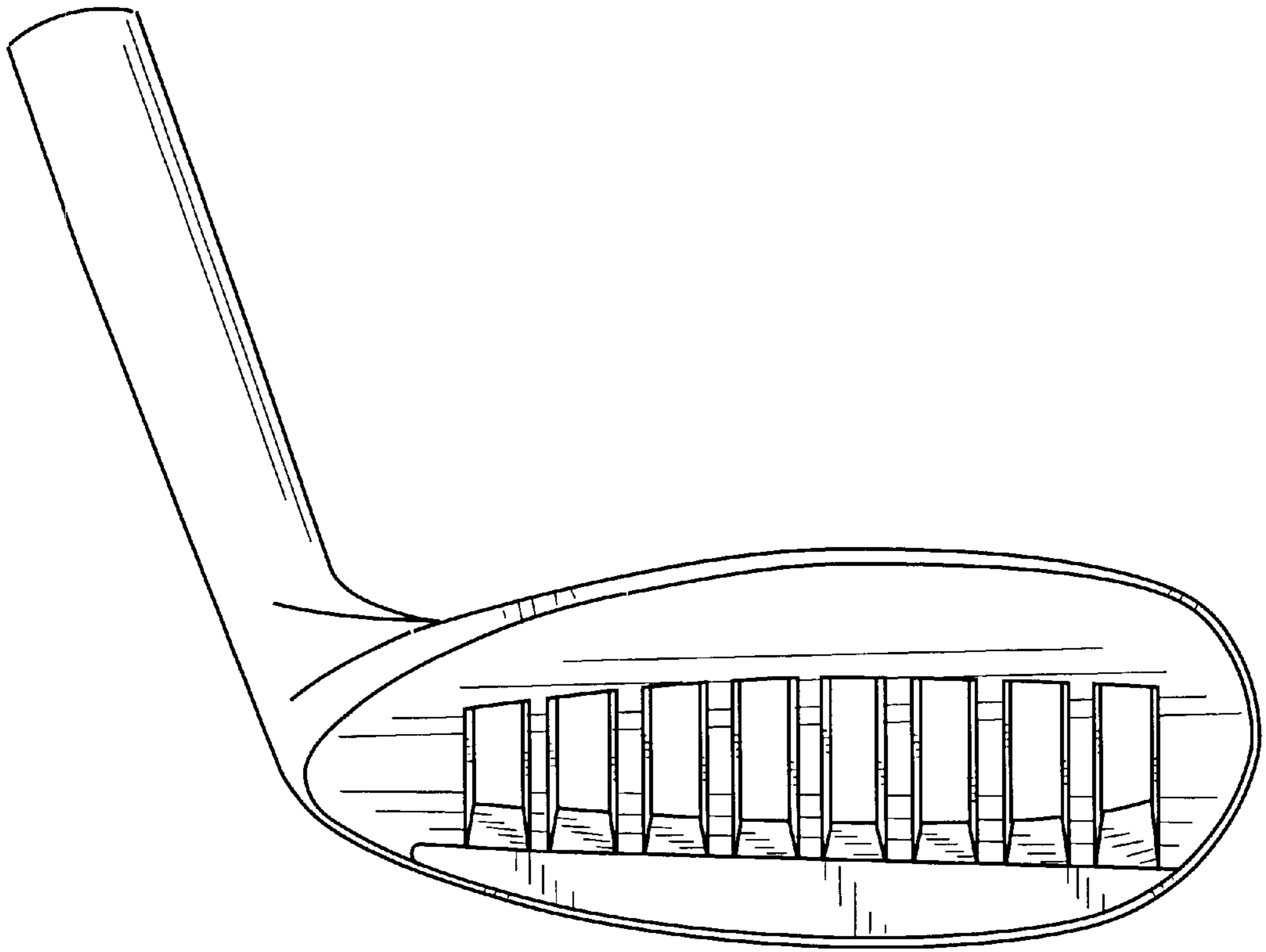




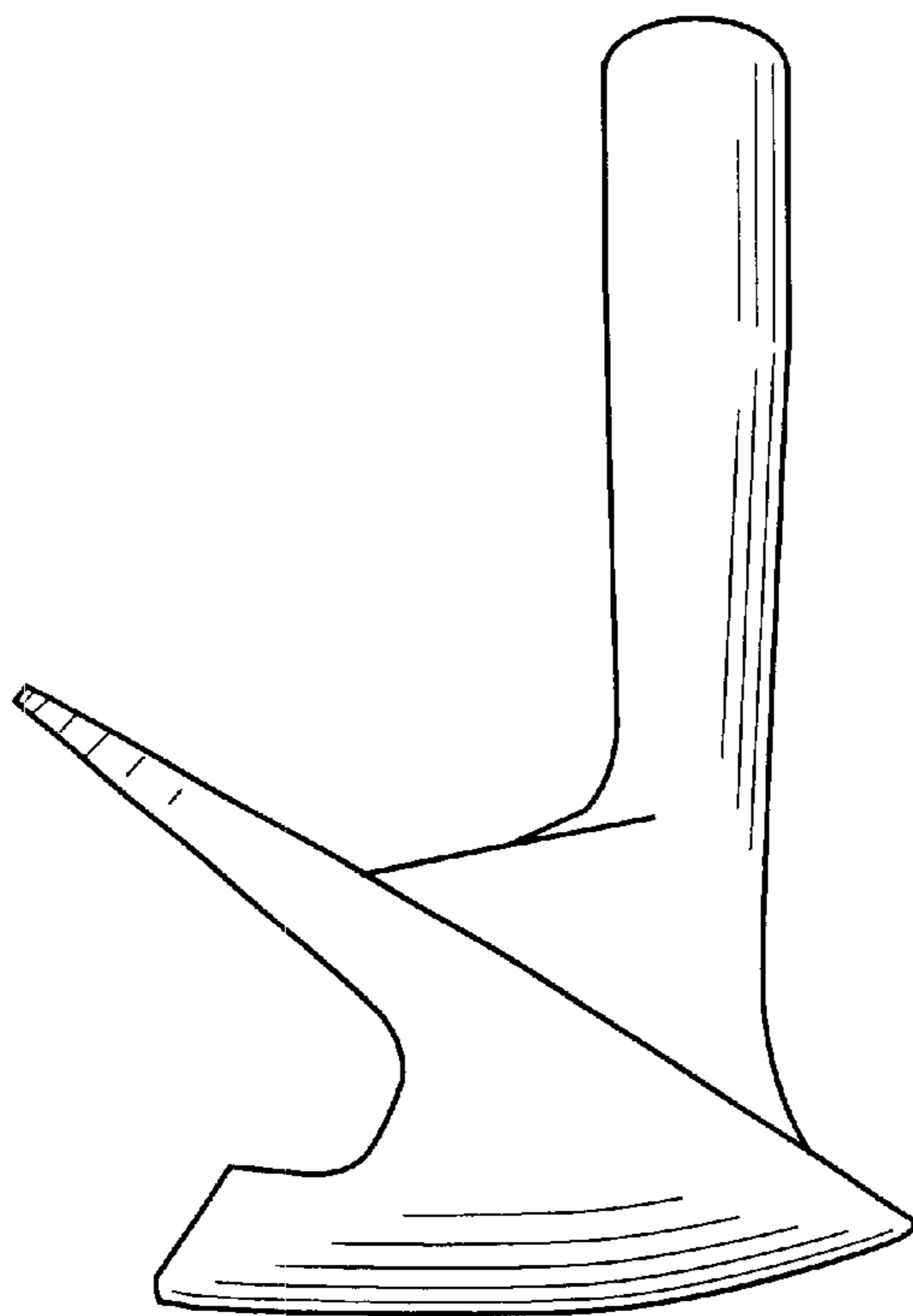
**Fig. 1**



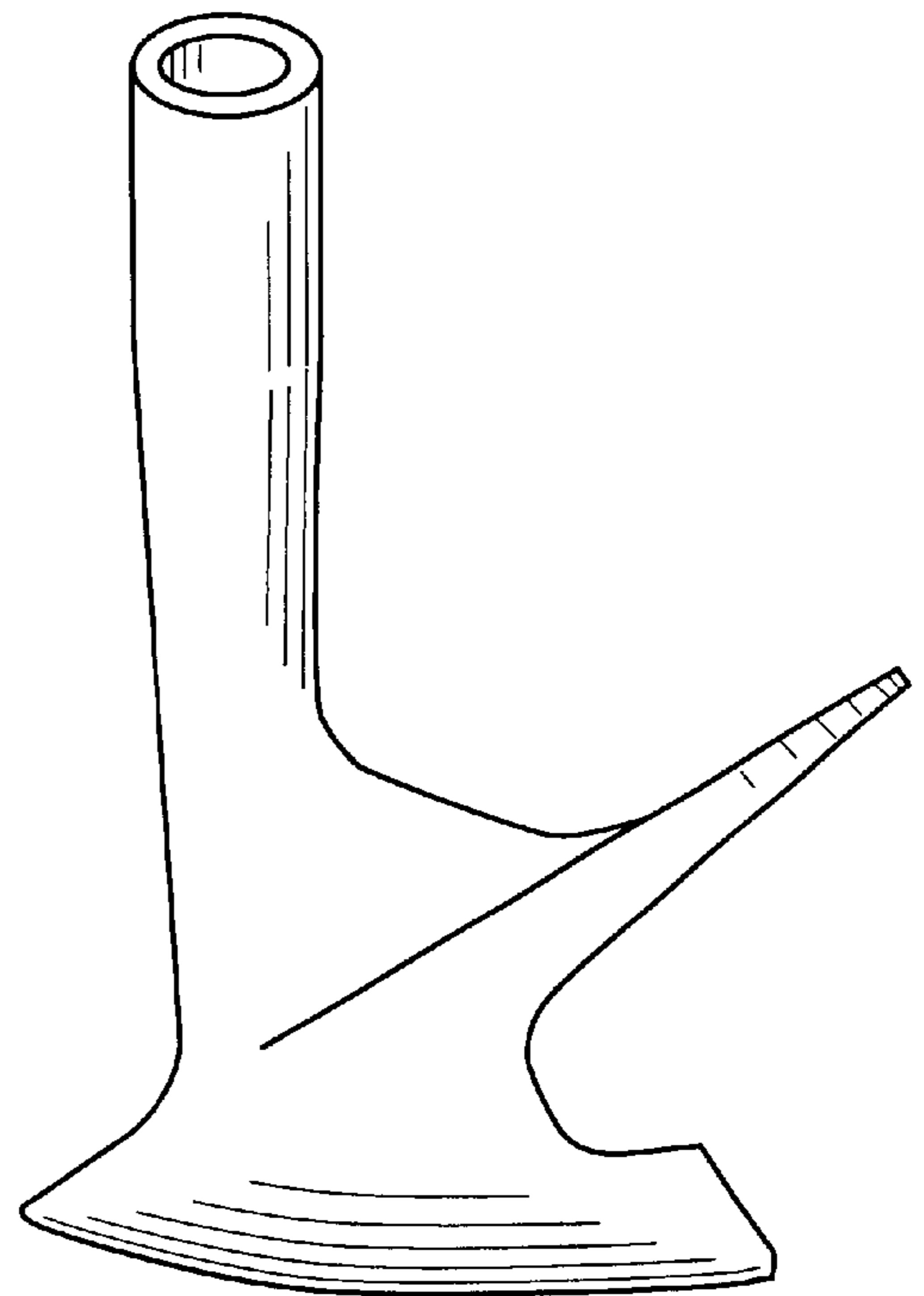
**Fig. 2**



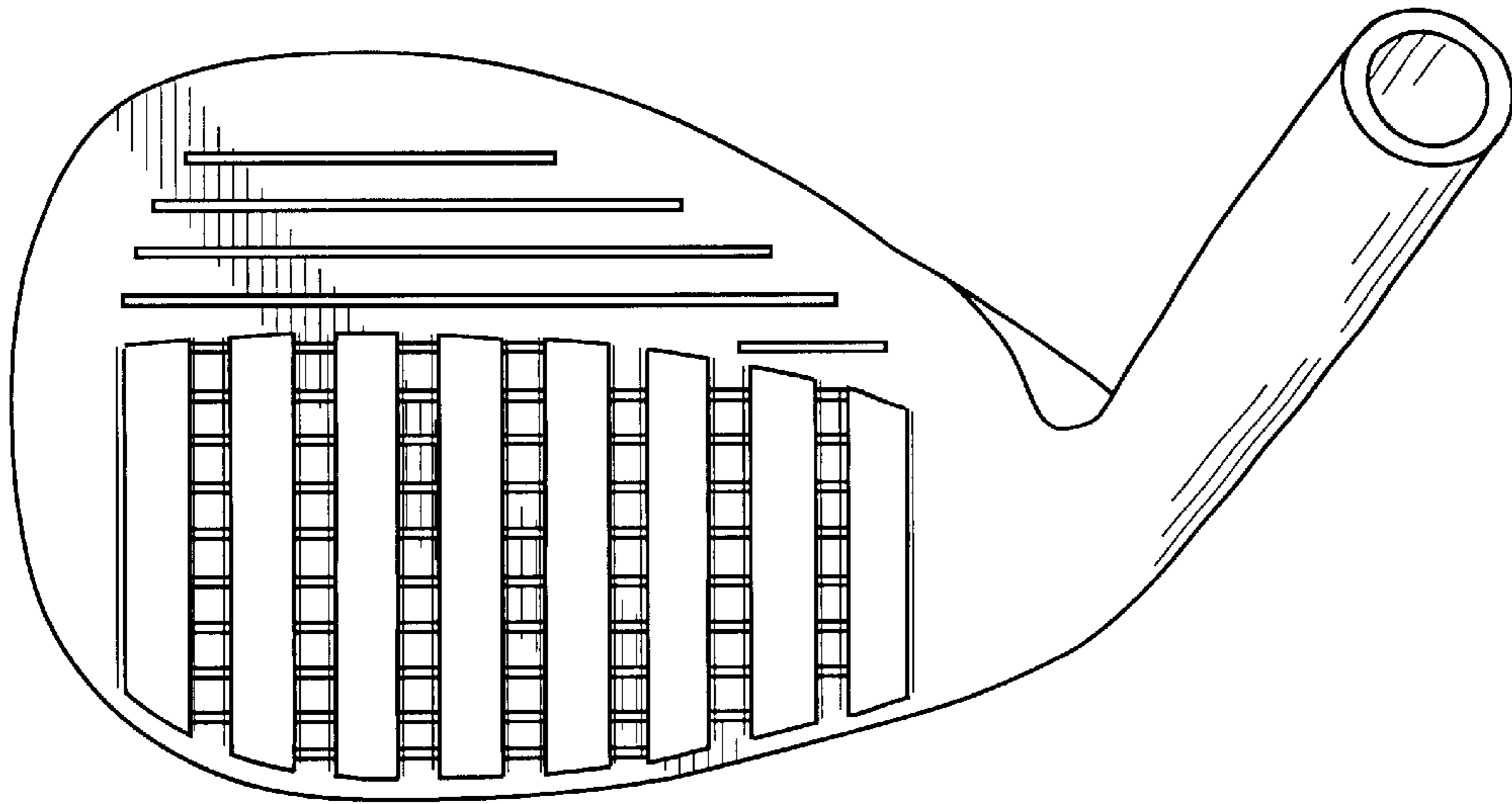
**Fig. 3**



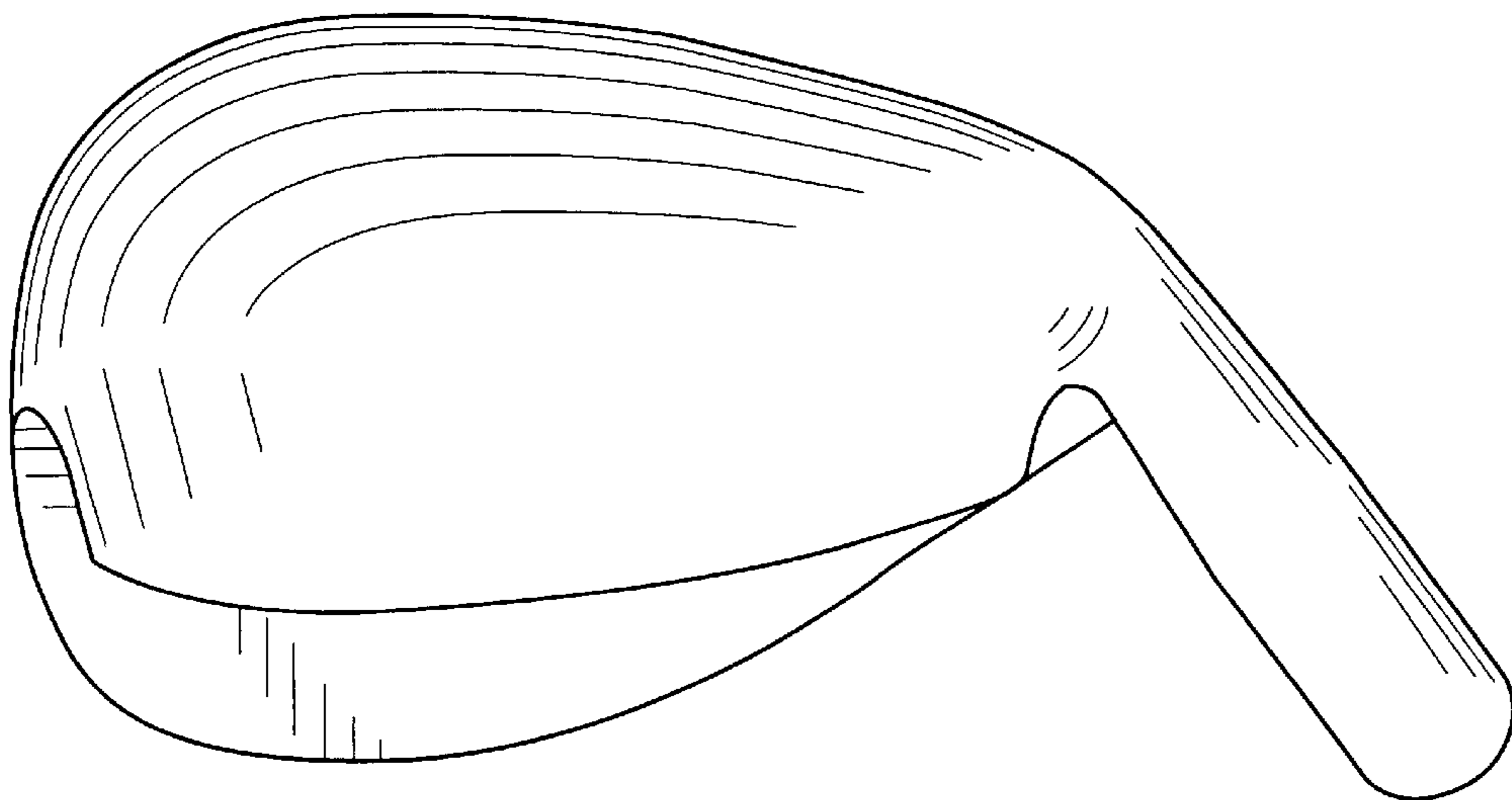
**Fig. 4**



**Fig. 5**



**Fig. 6**



**Fig. 7**