



US00D459421S

(12) **United States Design Patent**
Lee

(10) **Patent No.:** **US D459,421 S**

(45) **Date of Patent:** **** Jun. 25, 2002**

(54) **INSTRUMENT CASE FOR AN EXERCISER**

Primary Examiner—Philip S. Hyder

(76) **Inventor:** **Kuo-Lung Lee**, No. 61, Mai Jou II Rd.,
Yi Lan City (TW)

(74) *Attorney, Agent, or Firm*—Varndell & Varndell, PLLC

(**) **Term:** **14 Years**

(57) **CLAIM**

The ornamental design for an instrument case for an exerciser, as shown and described.

(21) **Appl. No.:** **29/141,444**

DESCRIPTION

(22) **Filed:** **May 8, 2001**

(51) **LOC (7) Cl.** **21-02**

(52) **U.S. Cl.** **D21/696**

(58) **Field of Search** D21/662, 663,
D21/664, 665, 668, 670, 694, 696; 482/51,
54, 57, 60

FIG. 1 is a perspective view of an instrument case for an exerciser showing my new design;
FIG. 2 is a front elevational view thereof;
FIG. 3 is a rear elevational view thereof;
FIG. 4 is a top plan view thereof;
FIG. 5 is a bottom plan view thereof;
FIG. 6 is a side elevational view thereof, the opposite side being a mirror image of that shown;
FIG. 7 is another perspective view of the design;
FIG. 8 is a perspective view from the rear elevation view of the design; and,
FIG. 9 is a perspective view thereof, wherein the broken line showing of the exerciser is for illustrative purposes only and forms no part of the claimed design.

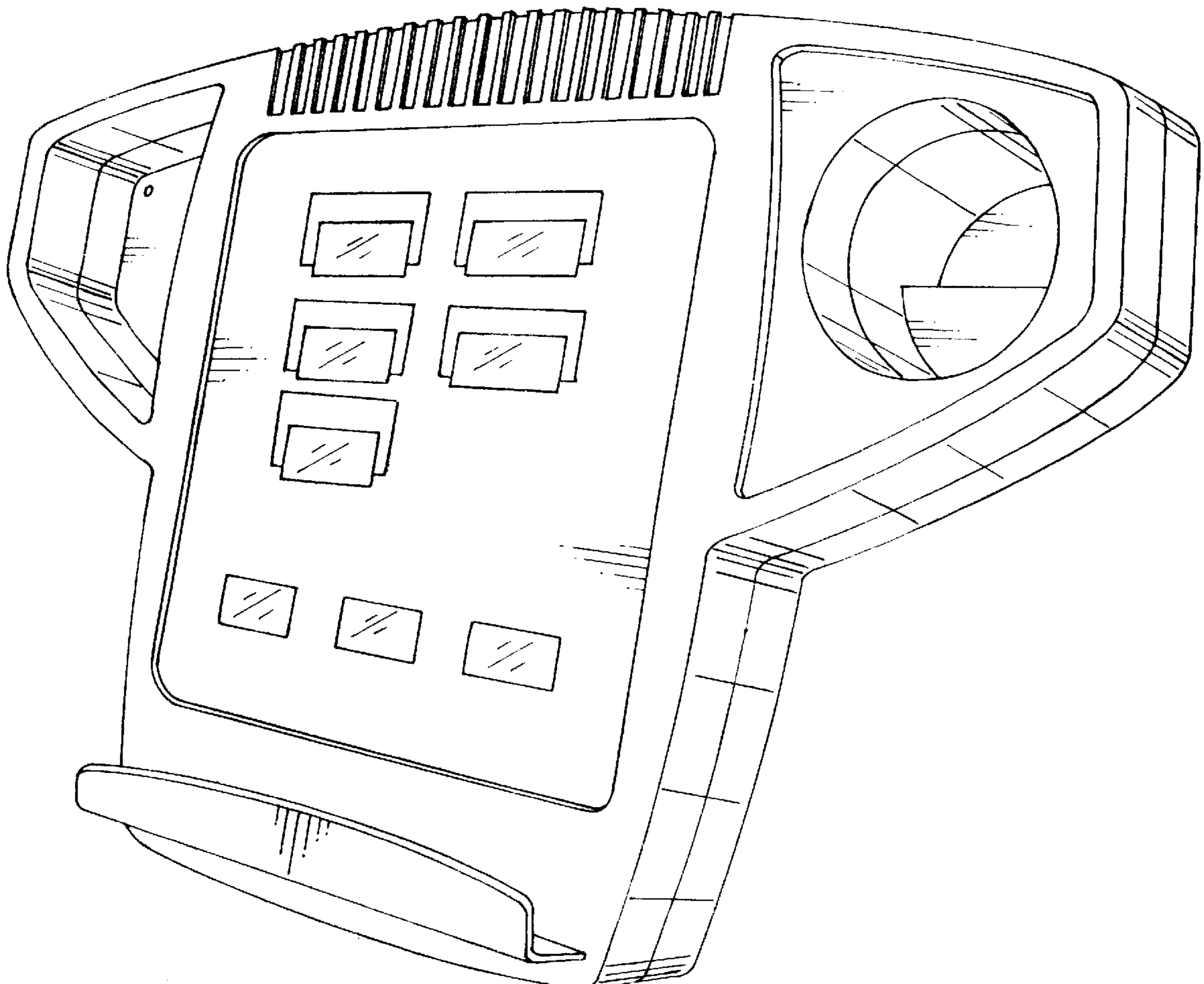
(56) **References Cited**

U.S. PATENT DOCUMENTS

D407,771 S	*	4/1999	Garza	D21/694
D412,192 S	*	7/1999	Birrell et al.	D21/696
D427,156 S	*	6/2000	Arnold et al.	D13/162
D429,509 S	*	8/2000	Garza	D21/694
D438,579 S	*	3/2001	Arnold et al.	D21/696
D444,828 S	*	7/2001	Matsumoto	D21/696

* cited by examiner

1 Claim, 9 Drawing Sheets



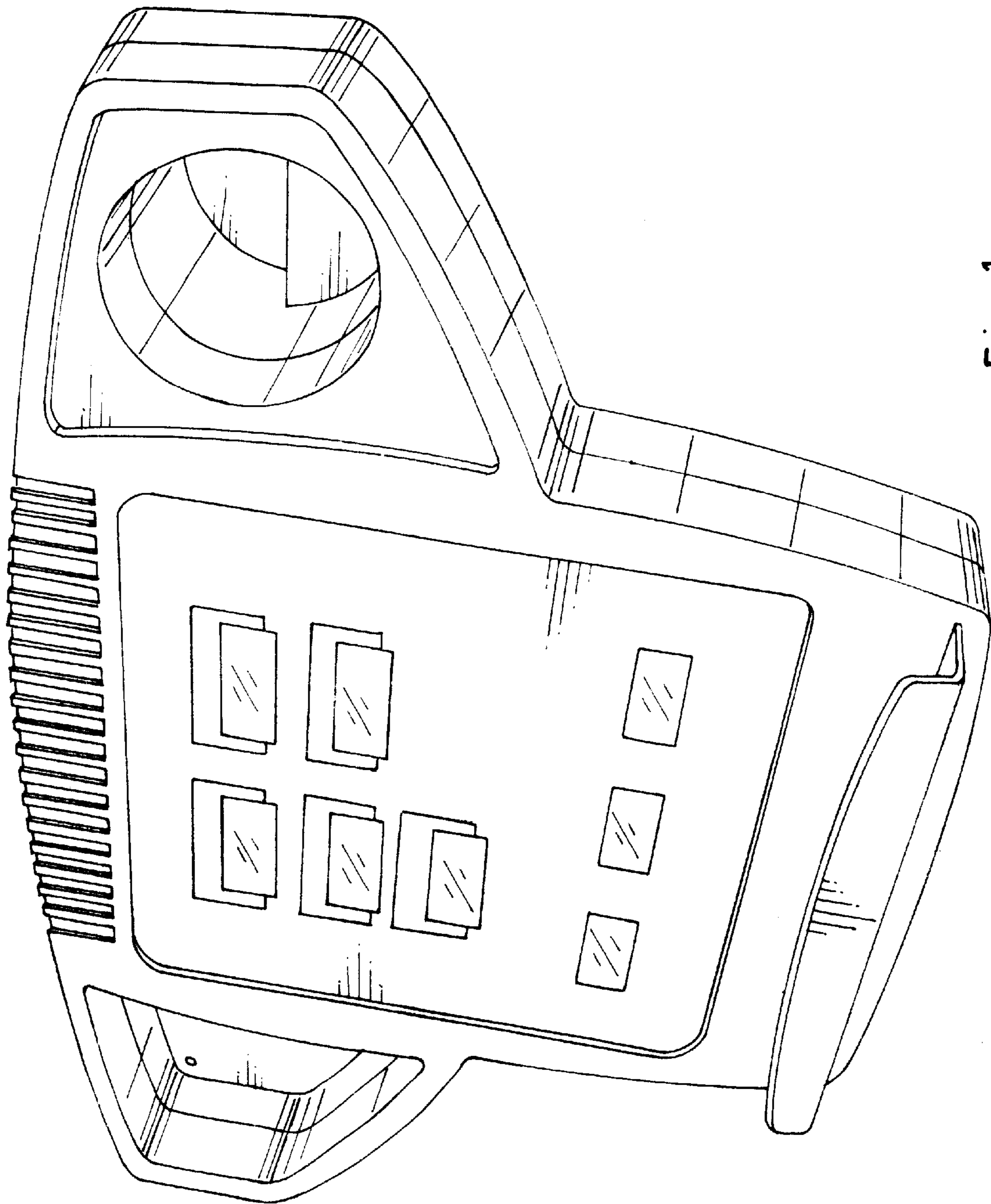


Fig. 1

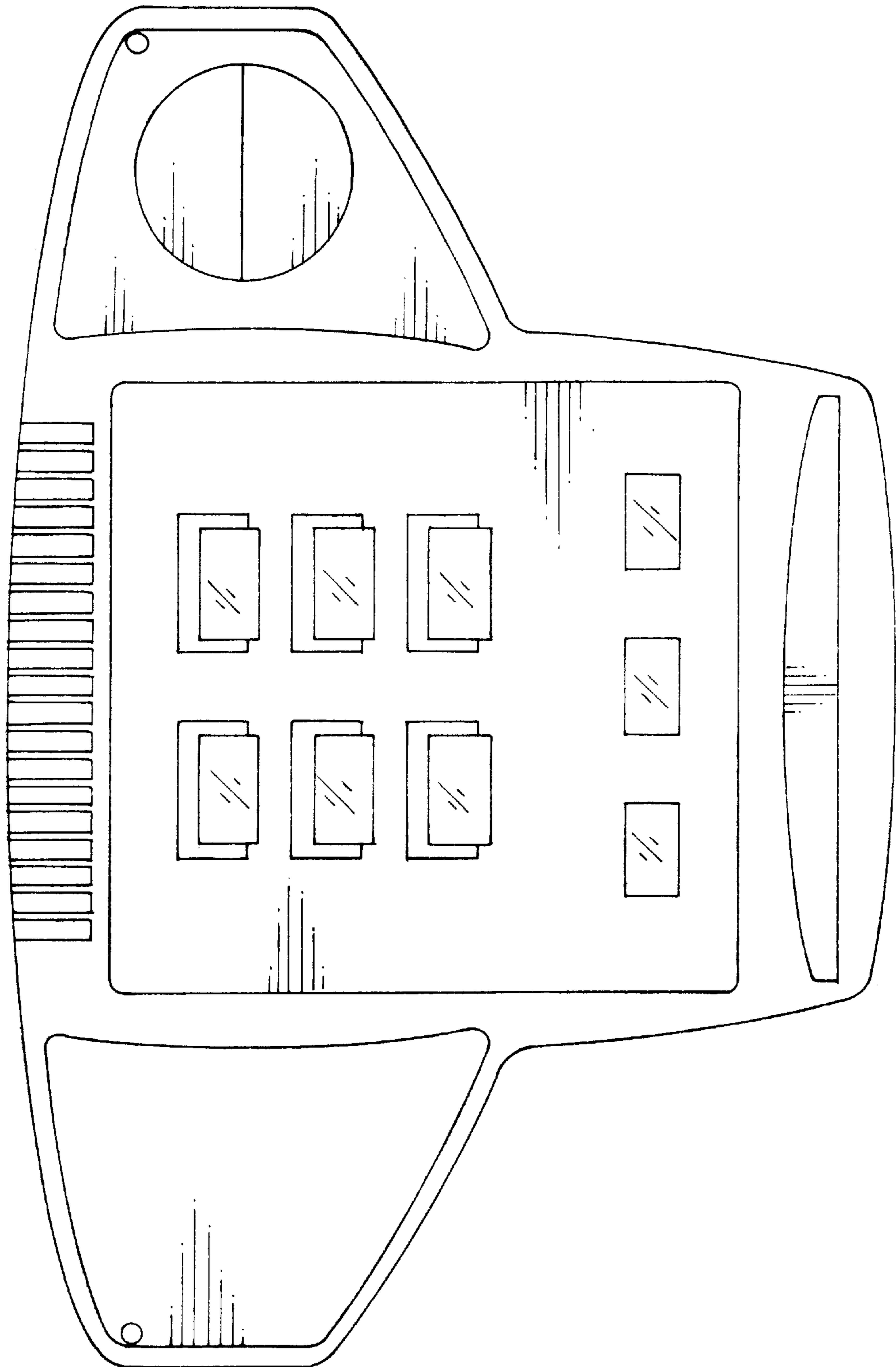


Fig. 2

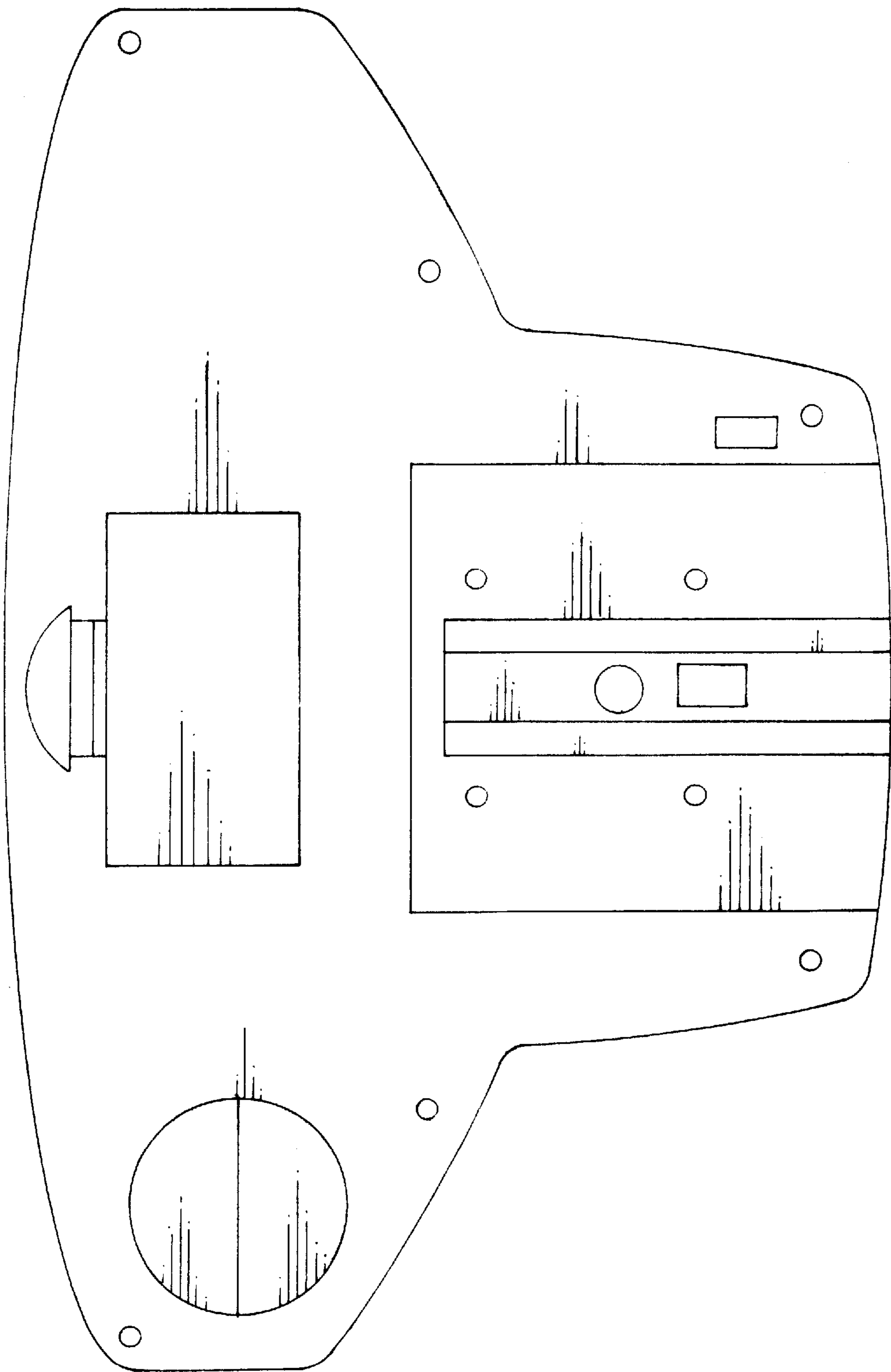


Fig. 3

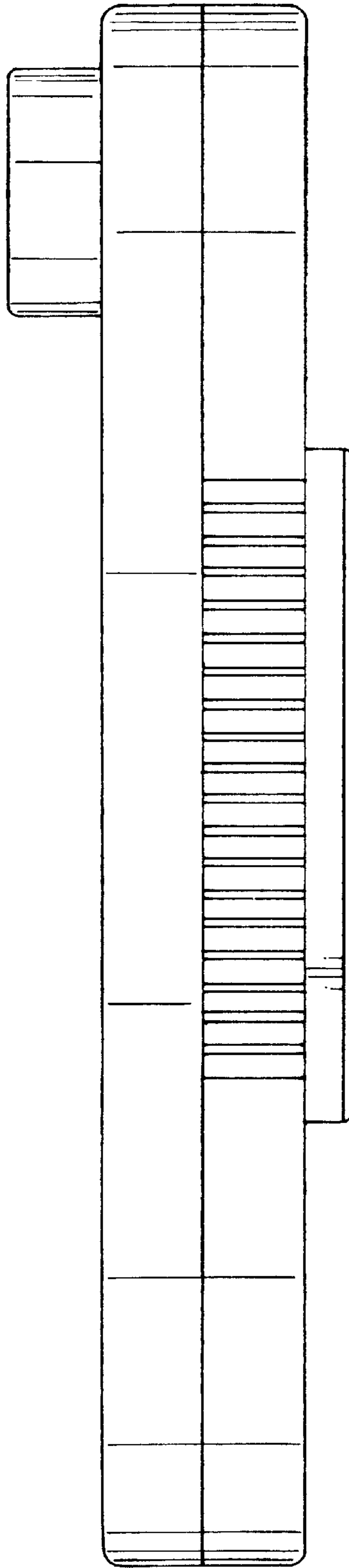


Fig. 4

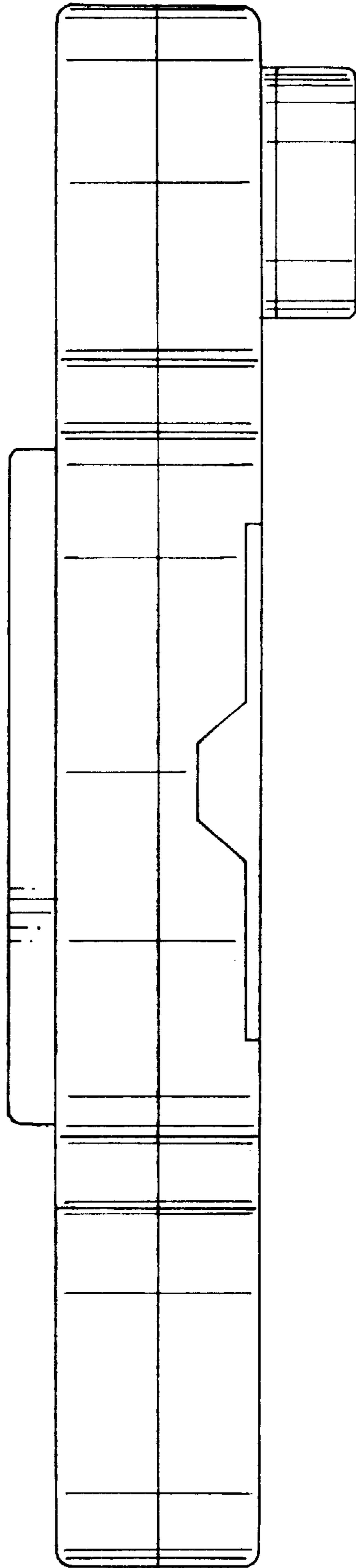


Fig. 5

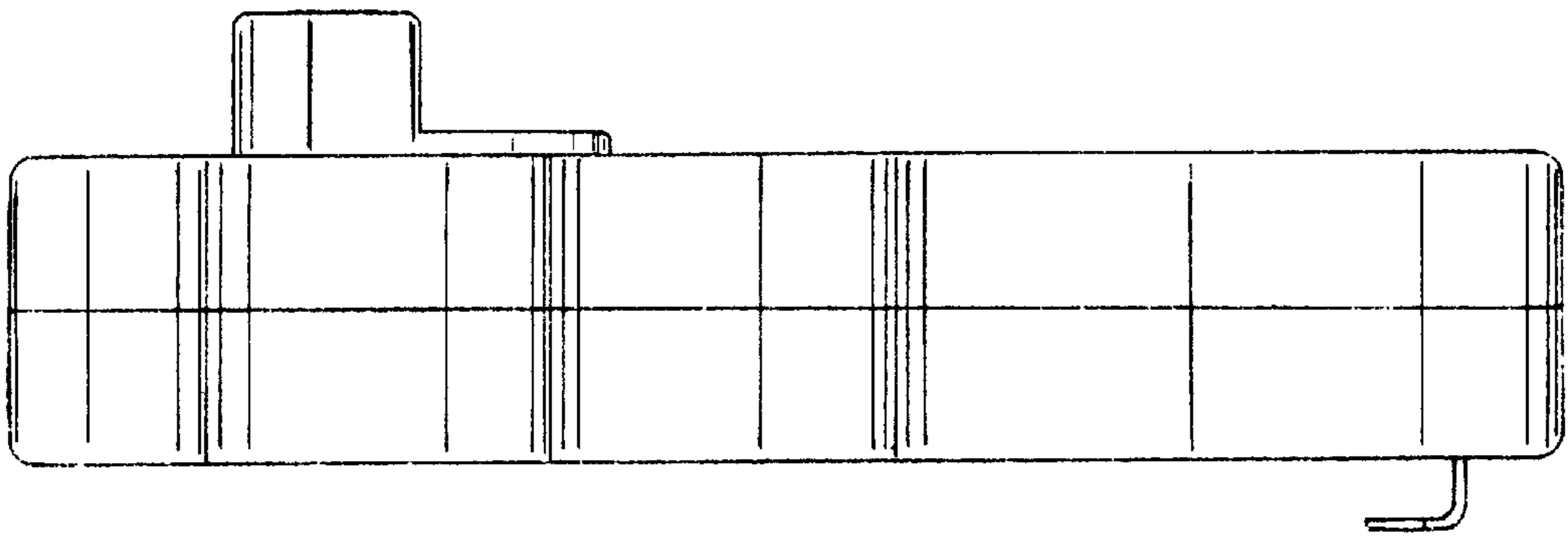


Fig. 6

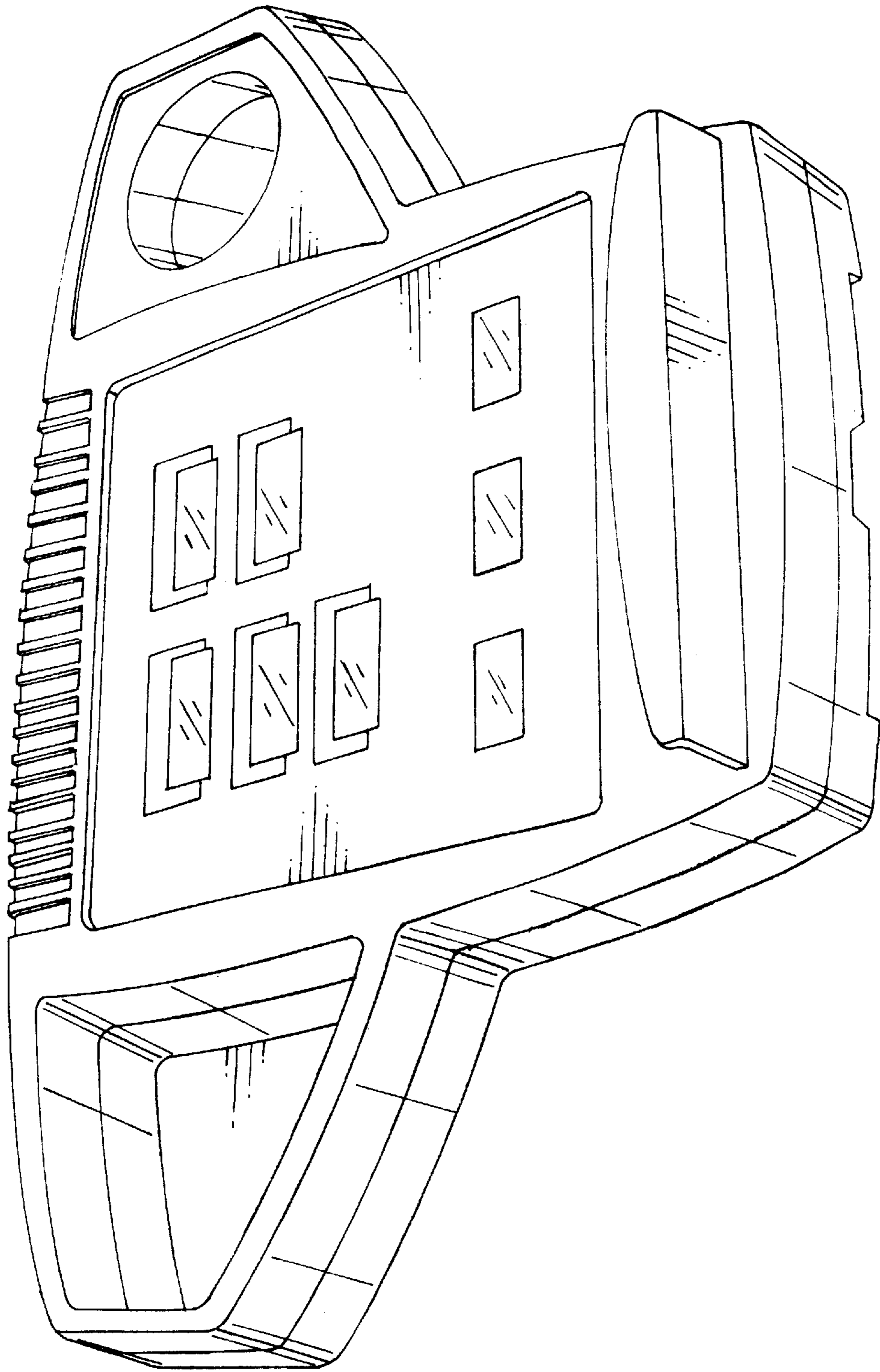


Fig. 7

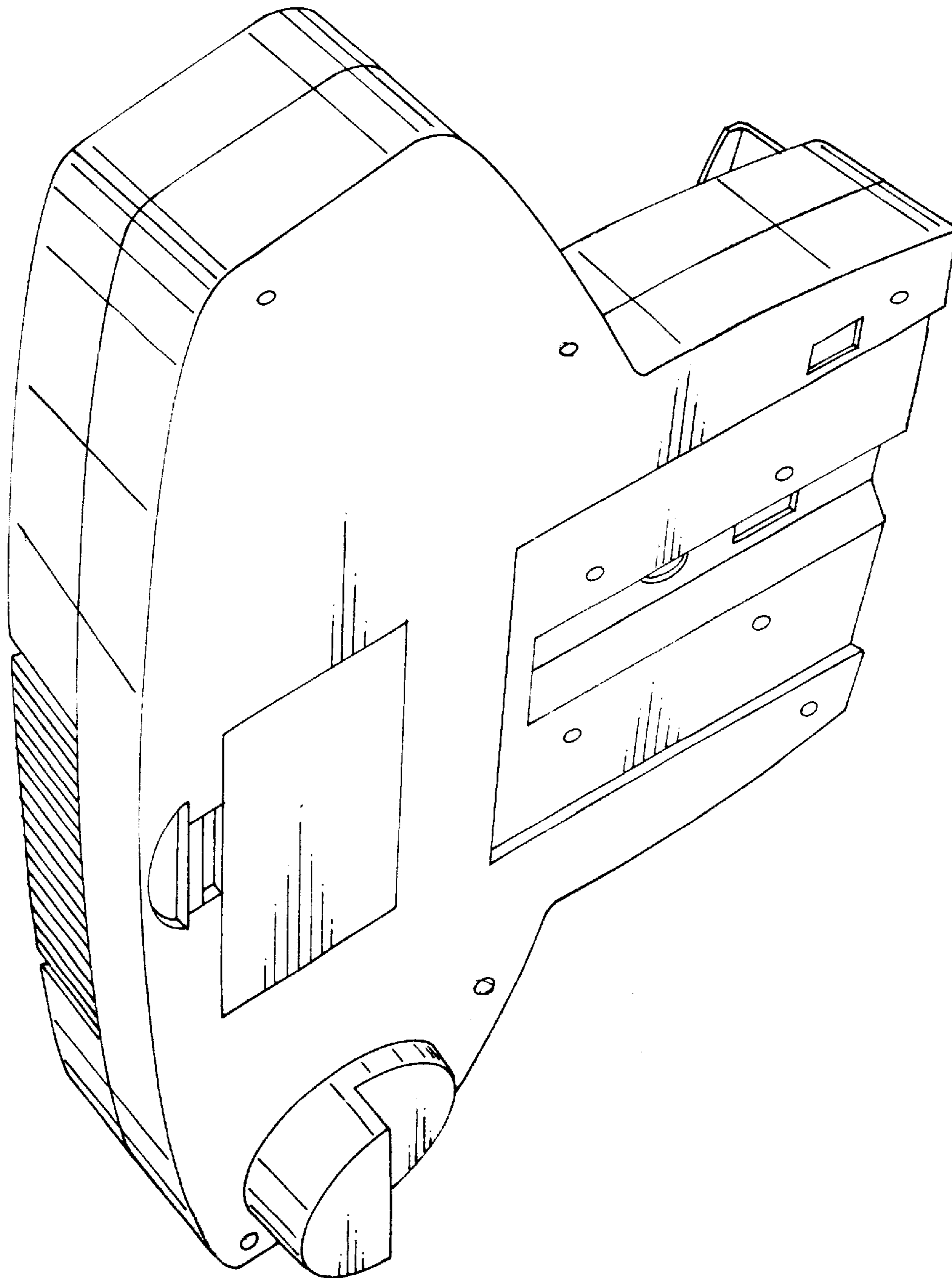


Fig. 8

