



US00D459419S

(12) **United States Design Patent**  
**Nishiyama et al.**

(10) **Patent No.:** **US D459,419 S**

(45) **Date of Patent:** **\*\* Jun. 25, 2002**

(54) **PHYSICAL TRAINING INSTRUMENT**

D440,264 S \* 4/2001 Venhuizen ..... D21/690

(75) Inventors: **Tohru Nishiyama; Katsunori Someya,**  
both of Kadoma (JP)

\* cited by examiner

*Primary Examiner*—Philip S. Hyder

(73) Assignee: **Matsushita Electric Works, Ltd.,**  
Osaka (JP)

(74) *Attorney, Agent, or Firm*—Lynn & Lynn

(\*\*) Term: **14 Years**

(57) **CLAIM**

The ornamental design for a physical training instrument,  
substantially as shown and described.

(21) Appl. No.: **29/133,666**

**DESCRIPTION**

(22) Filed: **Dec. 4, 2000**

(30) **Foreign Application Priority Data**

Jun. 7, 2000 (JP) ..... 2000-015412

FIG. 1 is a perspective view of a physical training instrument  
embodying our design;

(51) **LOC (7) Cl.** ..... **21-02**

FIG. 2 is a front view thereof;

(52) **U.S. Cl.** ..... **D21/686; D21/690**

FIG. 3 is a right side elevational view thereof;

(58) **Field of Search** ..... D21/662, 686,  
D21/690, 828, 831; 446/313; D6/552; D24/183

FIG. 4 is a top plan view thereof;

FIG. 5 is a rear view thereof;

FIG. 6 is a bottom plan view thereof;

FIG. 7 is a front view thereof showing a seat part turned up  
for using as a chair;

(56) **References Cited**

**U.S. PATENT DOCUMENTS**

- D300,045 S \* 2/1989 Grider ..... D21/690
- D351,742 S \* 10/1994 Phelps et al. .... D24/183
- D380,242 S \* 6/1997 Wang et al. .... D21/676
- D403,036 S \* 12/1998 Ashcraft et al. .... D21/686

FIG. 8 is a right side elevational view thereof showing a seat  
part turned up for using as a chair;

FIG. 9 is a top plan view thereof showing a seat part turned  
up for using as a chair; and,

FIG. 10 is a rear view thereof showing a seat part turned up  
for using as a chair.

**1 Claim, 6 Drawing Sheets**

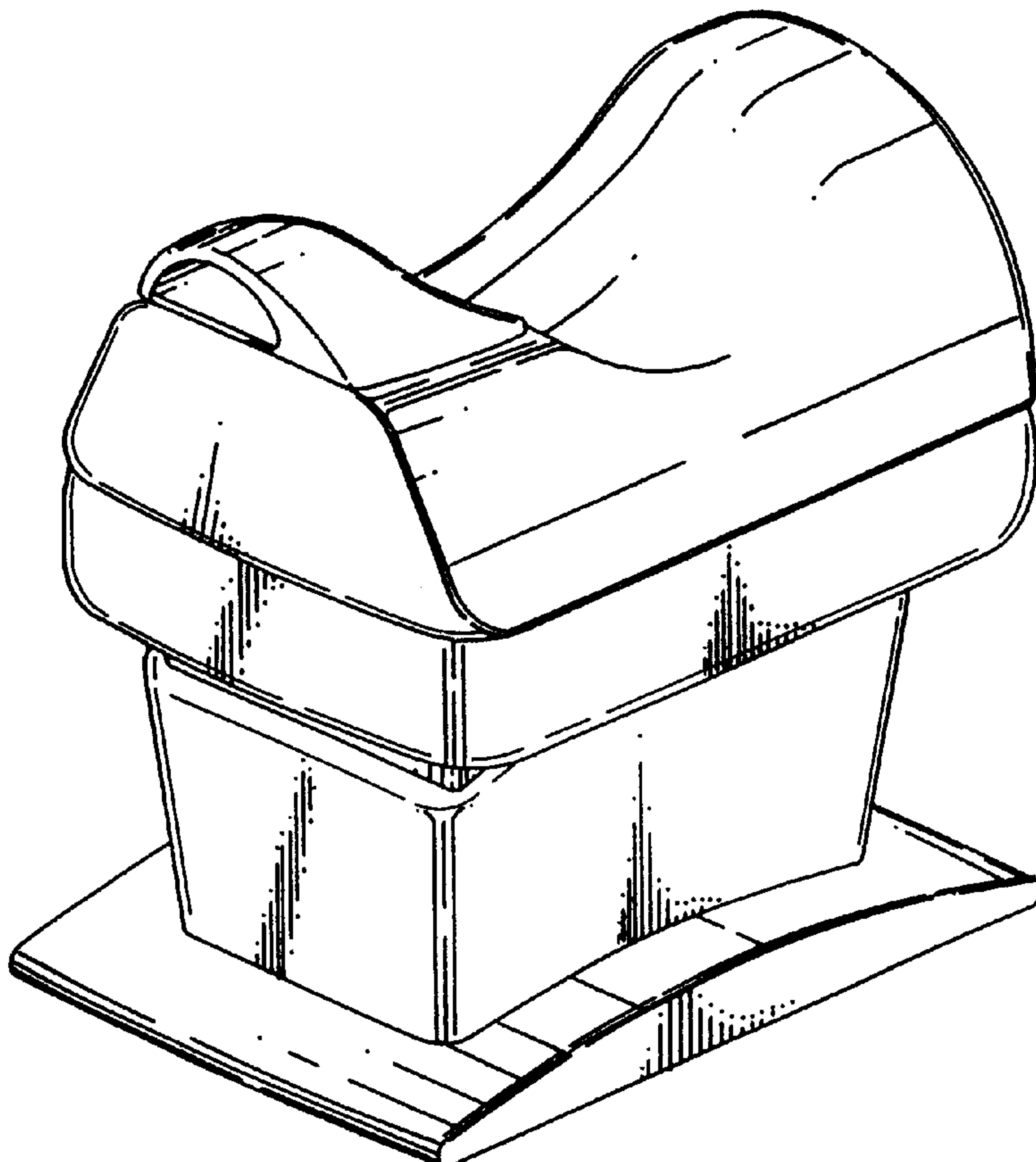


FIG. 1

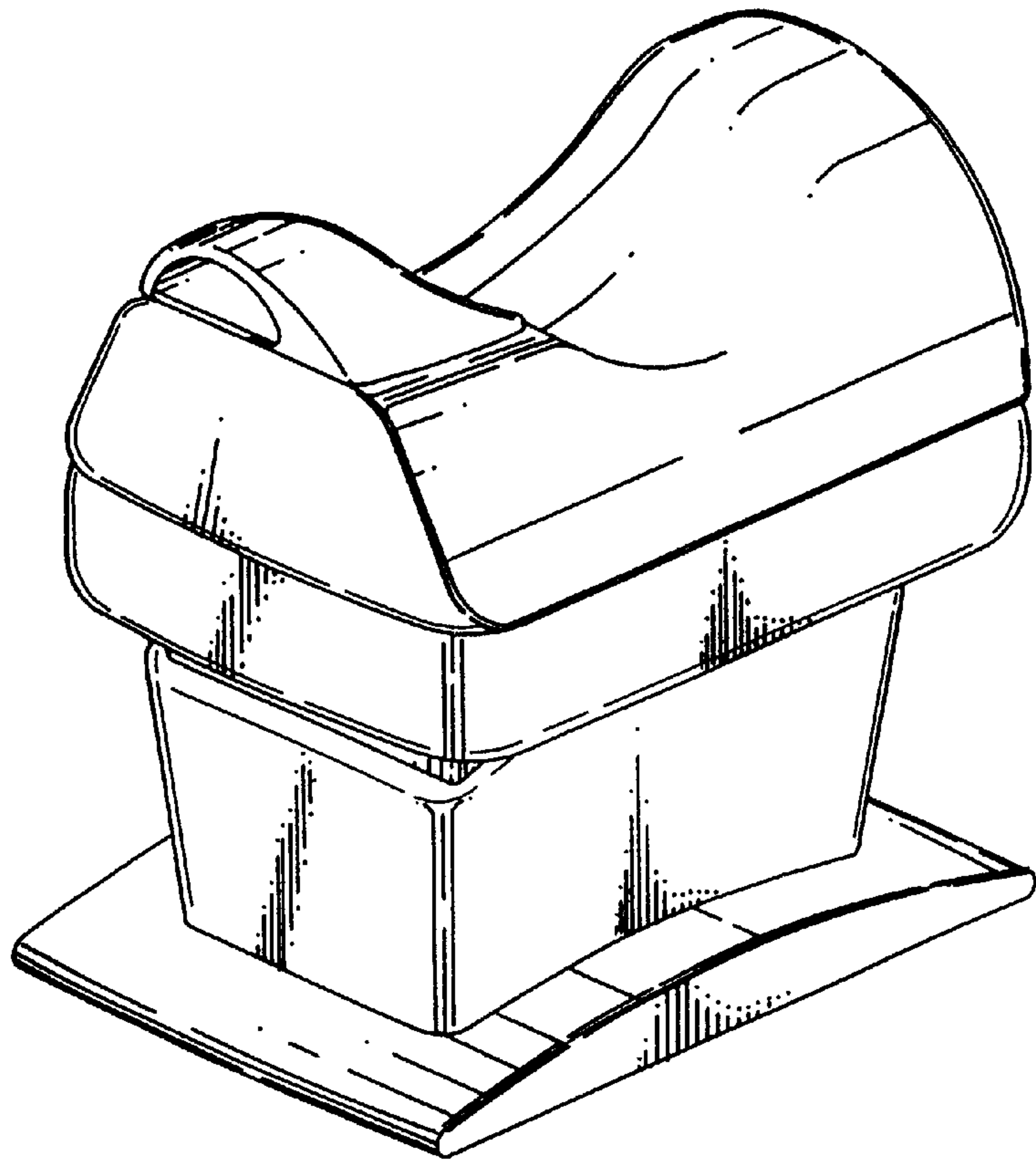


FIG. 2

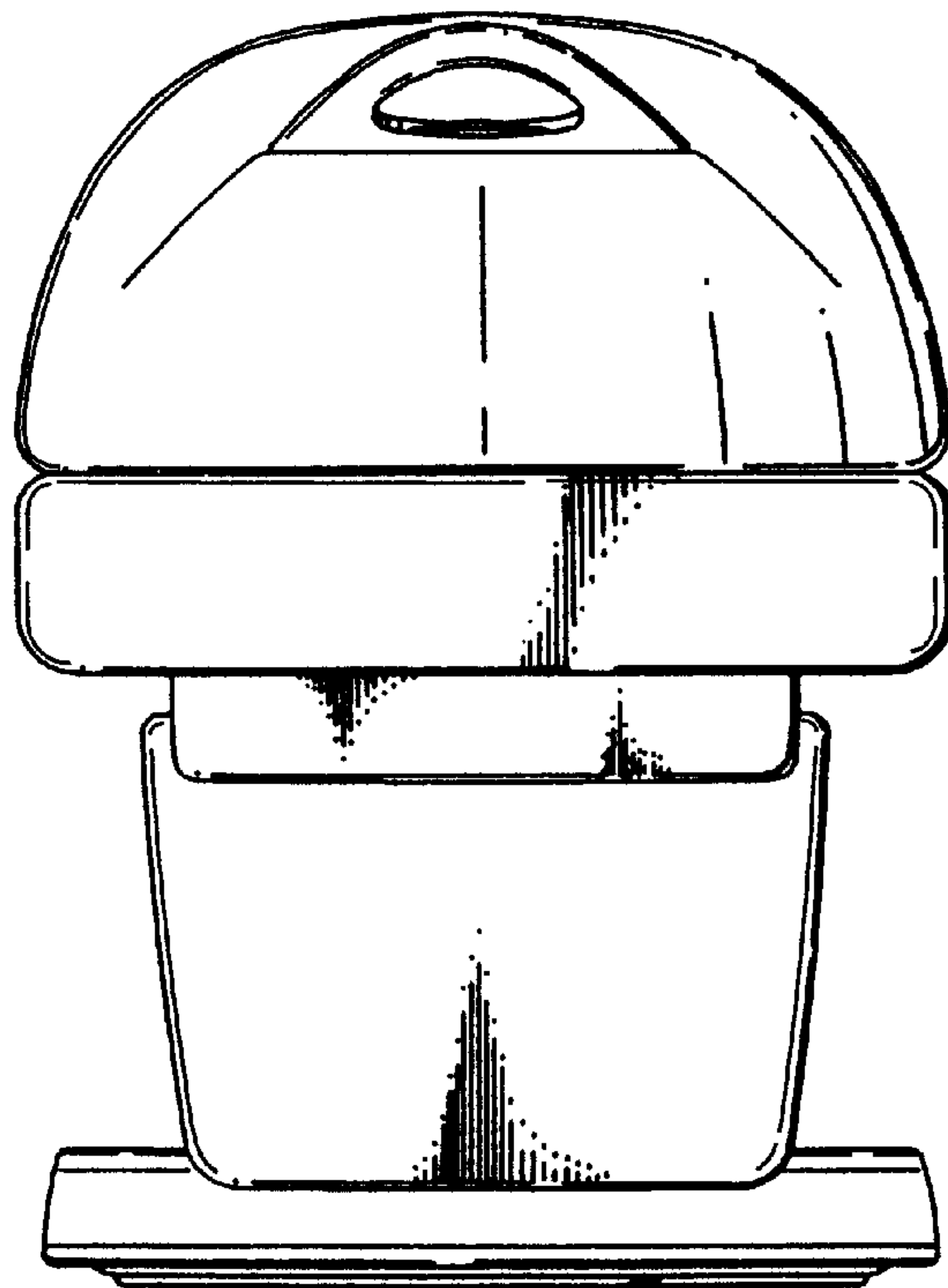


FIG. 3

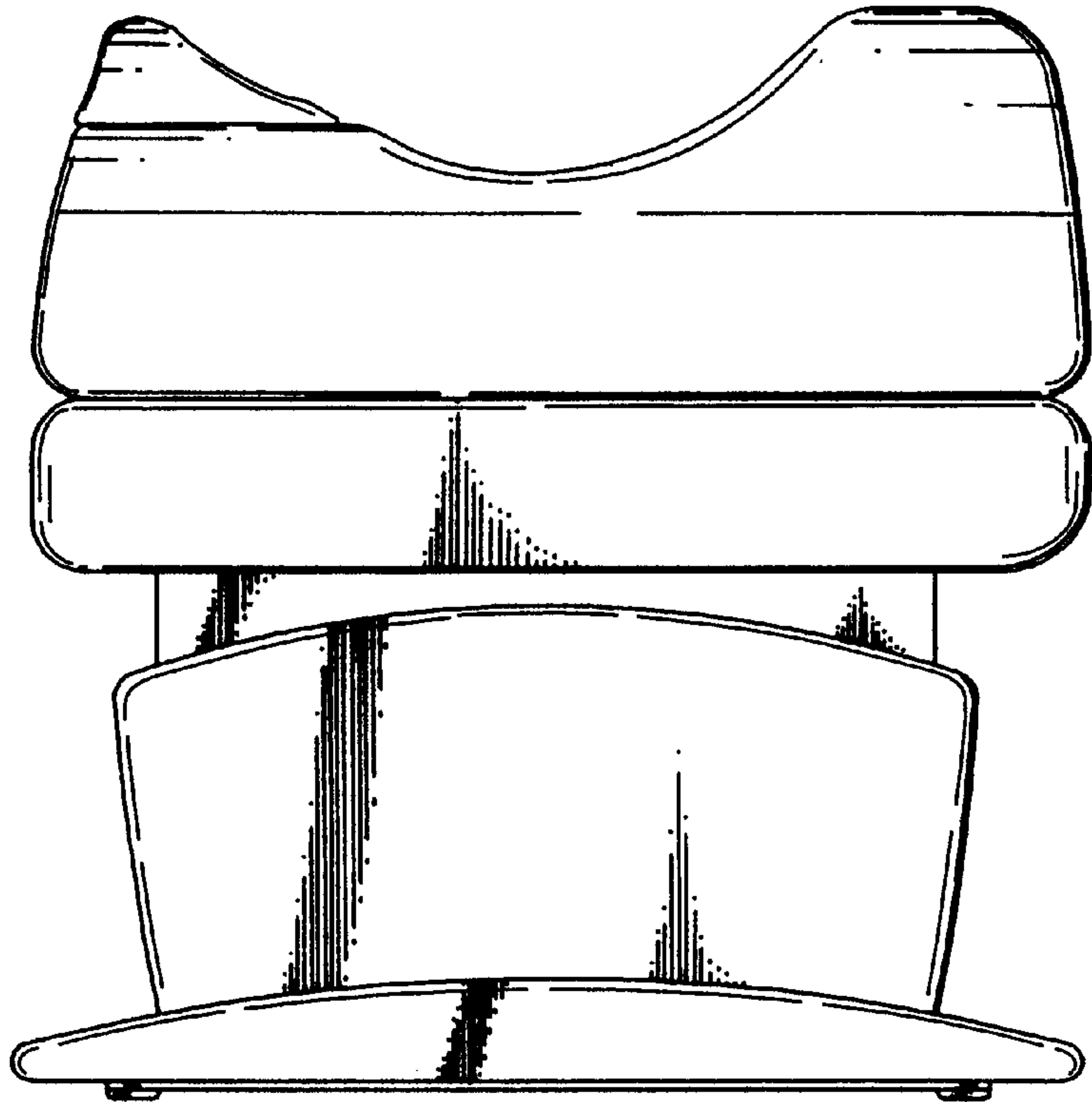


FIG. 4

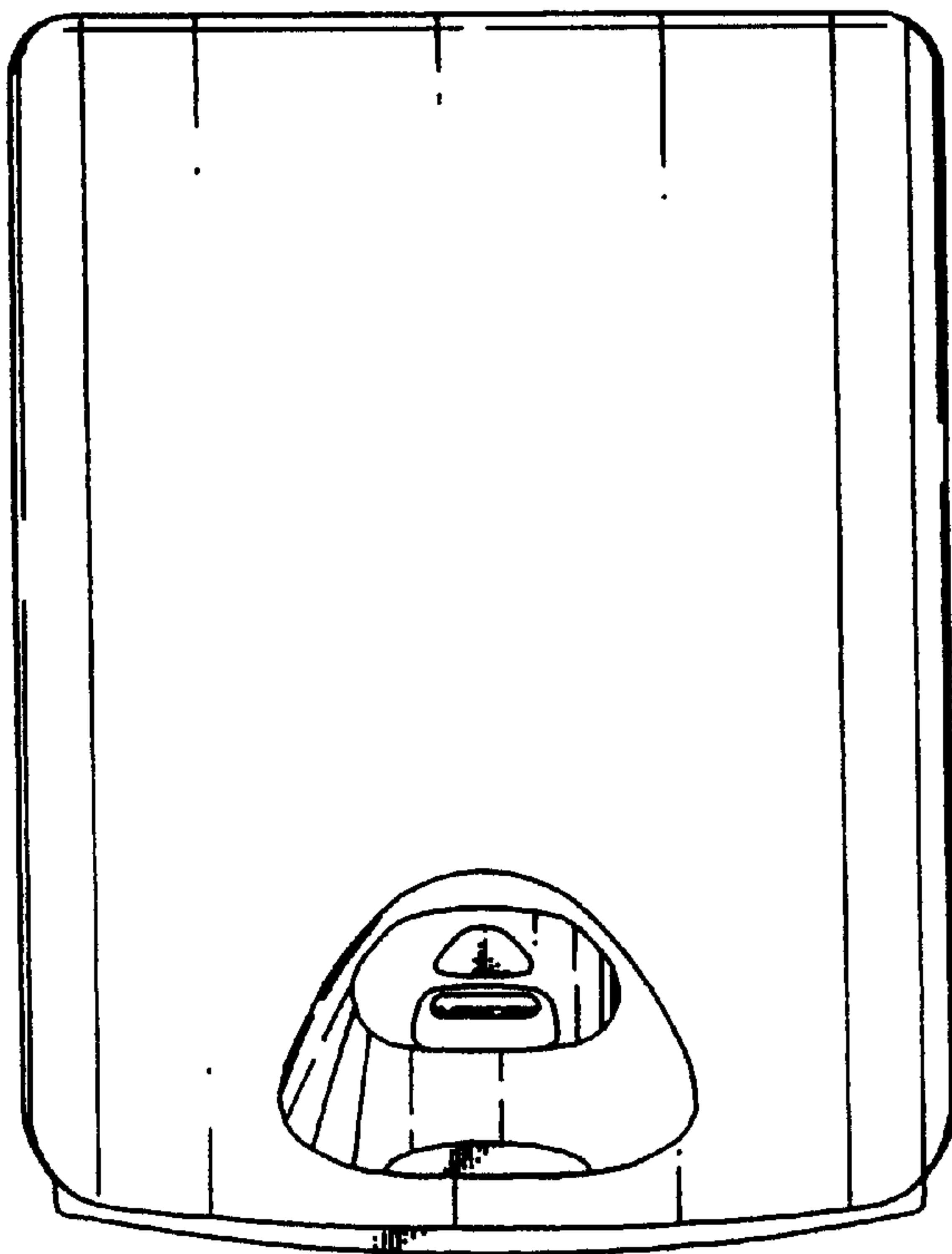


FIG. 5

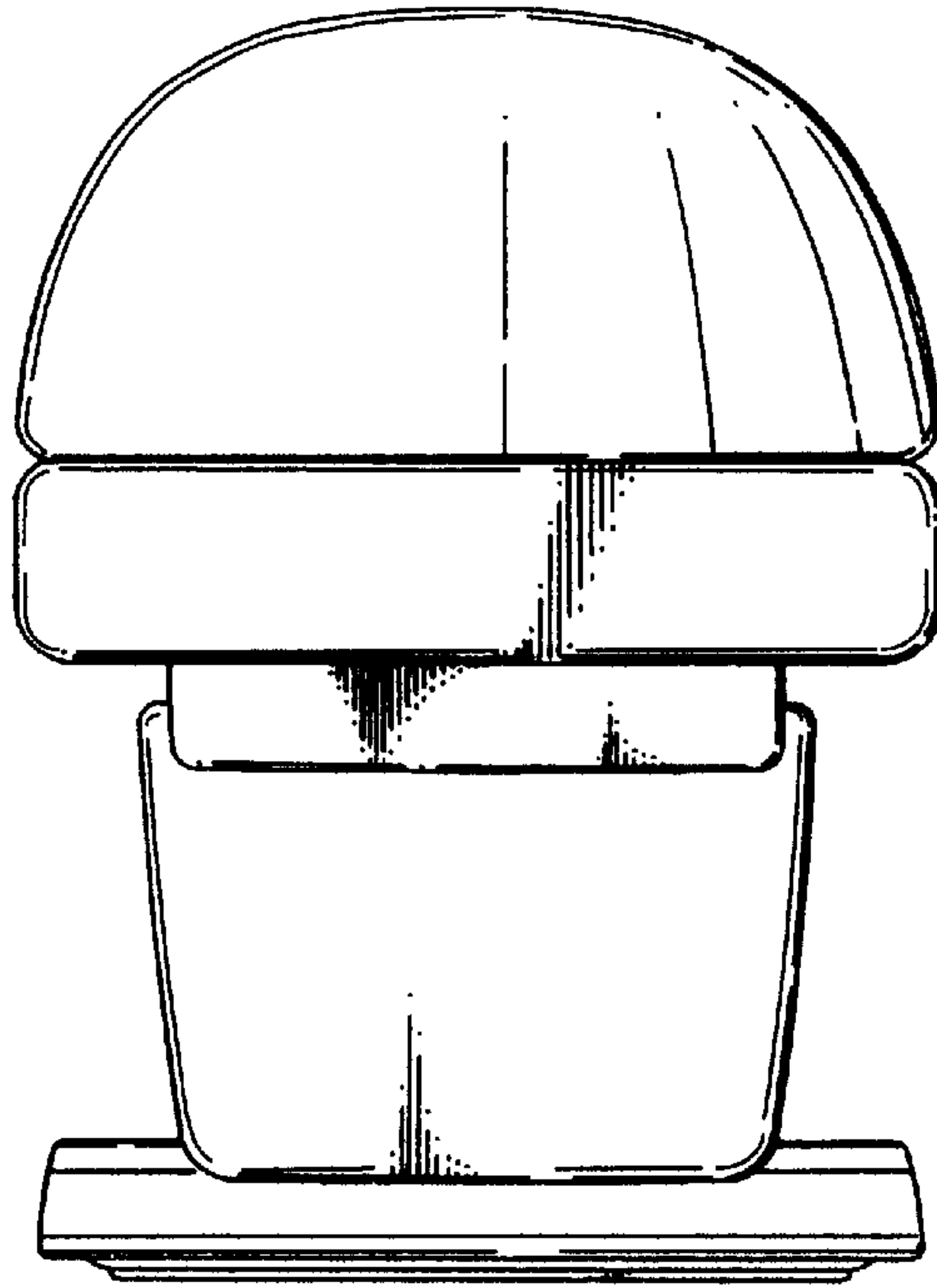
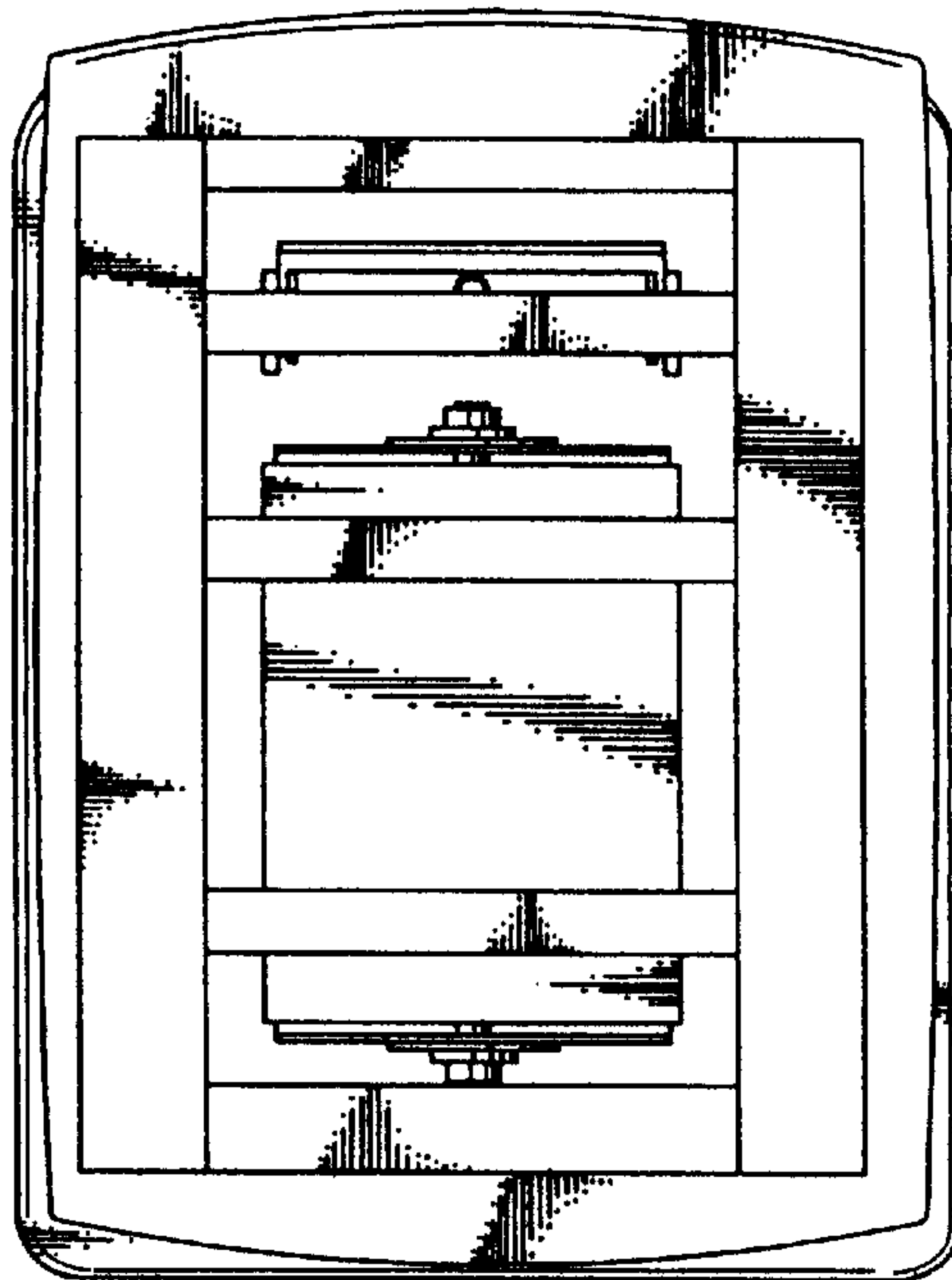
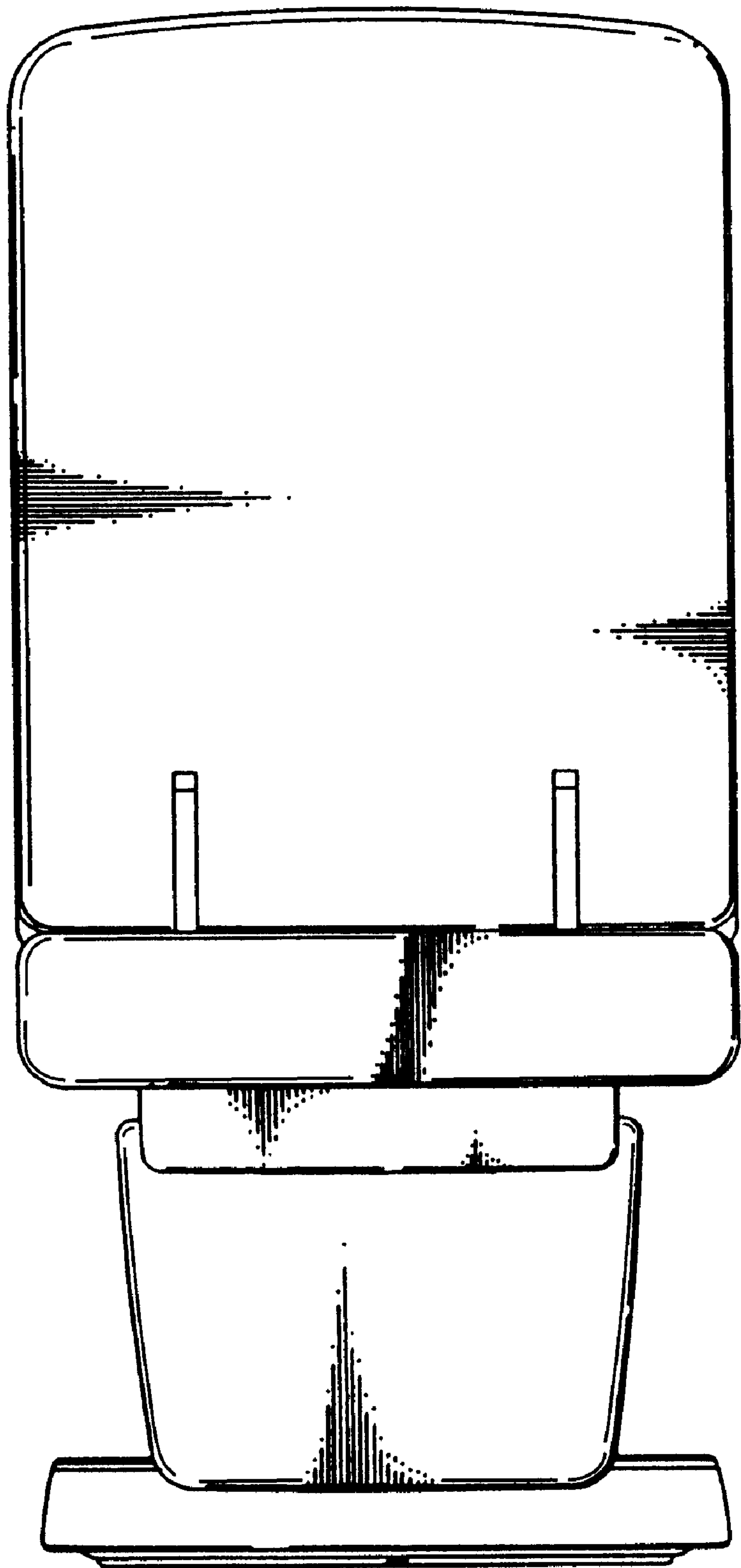


FIG. 6



**FIG. 7**



**FIG. 8**

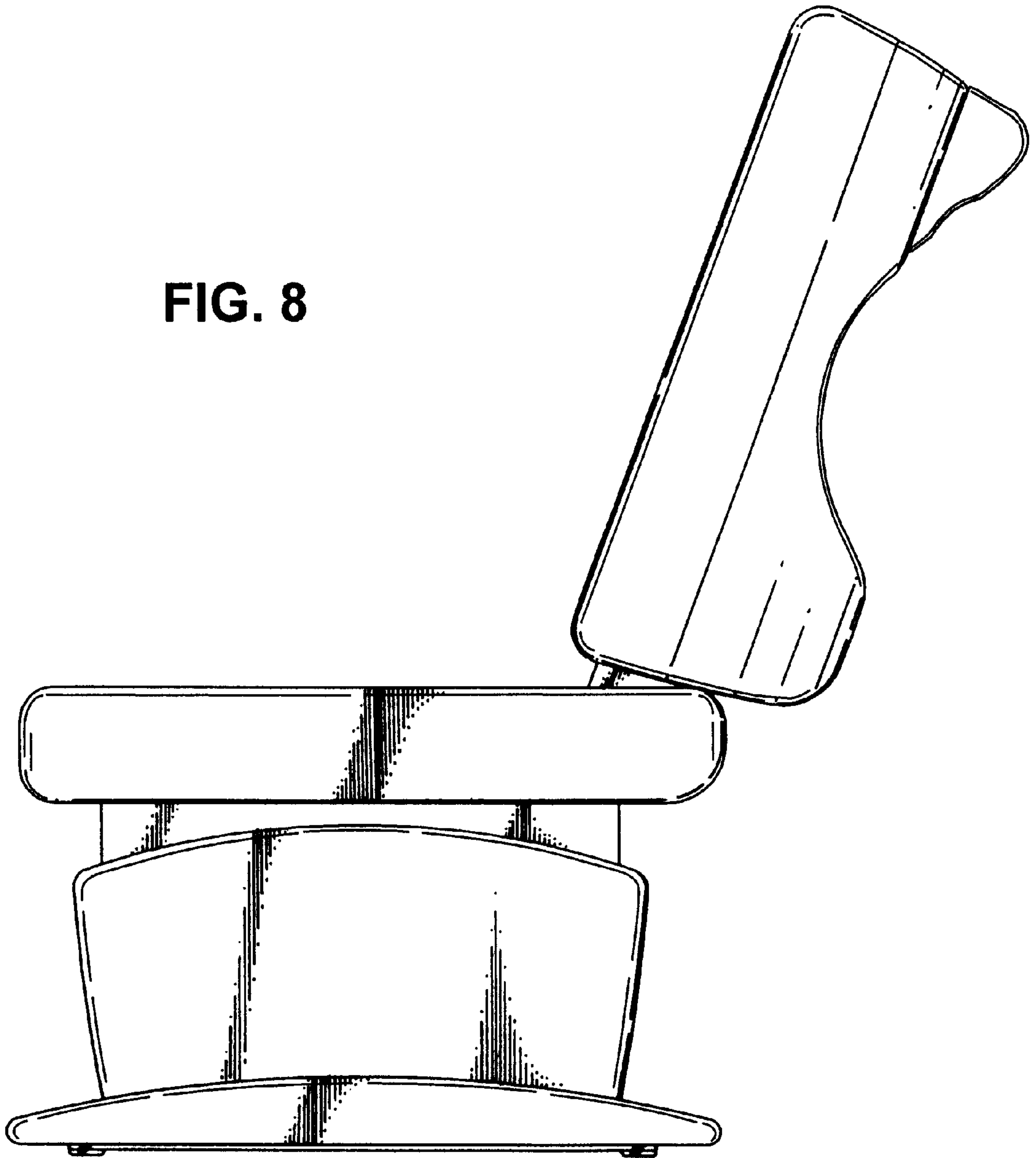




FIG. 9

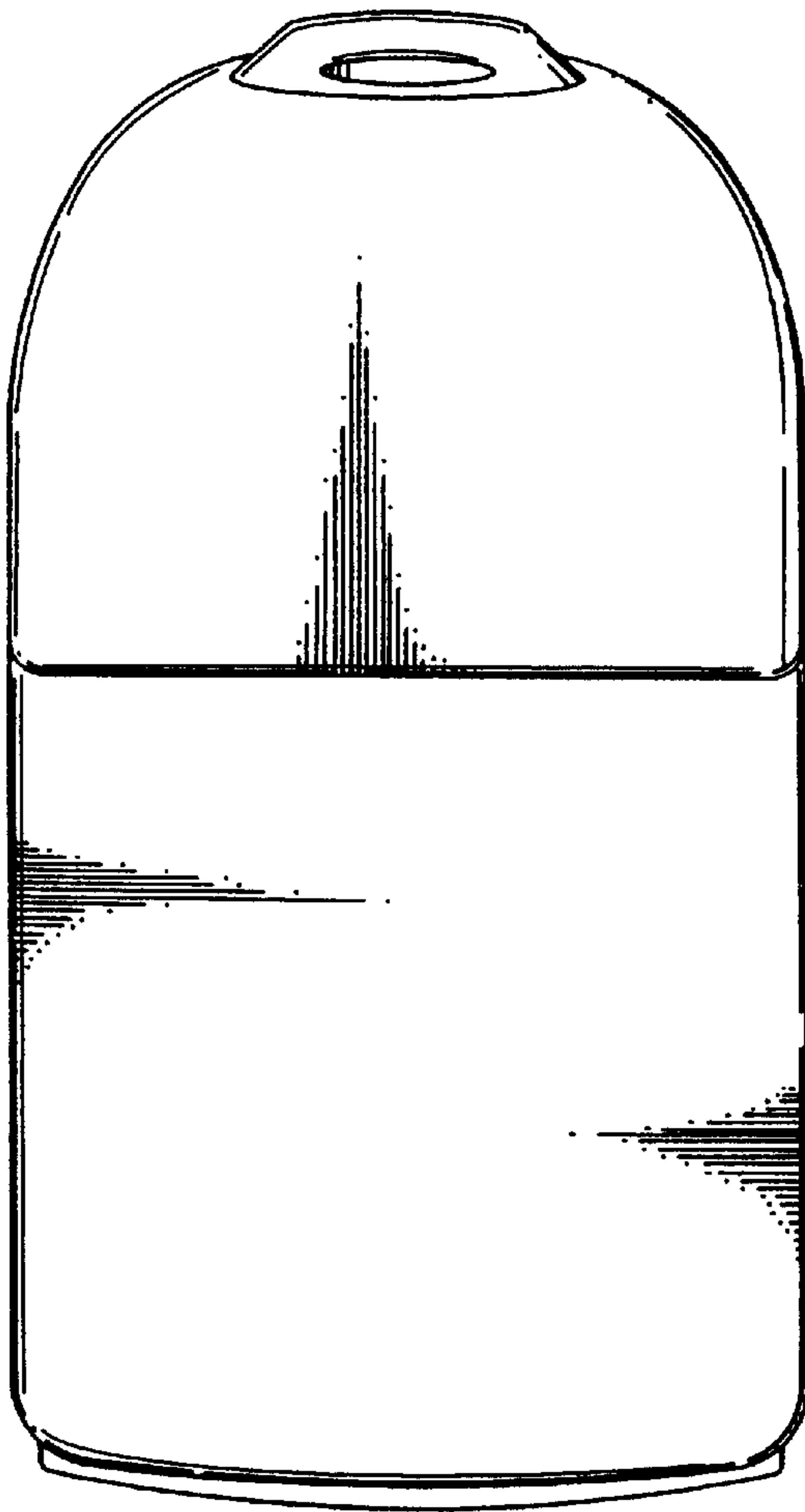


FIG. 10

