



US00D459418S

(12) **United States Design Patent**
Hsiung

(10) **Patent No.:** **US D459,418 S**

(45) **Date of Patent:** **** Jun. 25, 2002**

(54) **STEPPER WITHOUT ARM MOTION**

(75) **Inventor:** **Bob Hsiung, Walnut, CA (US)**

(73) **Assignee:** **HUPA International, Inc., Walnut, CA (US)**

(**) **Term:** **14 Years**

(21) **Appl. No.:** **29/141,690**

(22) **Filed:** **May 9, 2001**

(51) **LOC (7) Cl.** **21-02**

(52) **U.S. Cl.** **D21/668**

(58) **Field of Search** D21/662, 665,
D21/668, 669, 670; 482/51, 52, 53, 54,
57

(56) **References Cited**

U.S. PATENT DOCUMENTS

| | | | | | | |
|-----------|---|---|--------|--------------|-------|---------|
| 5,746,683 | A | * | 5/1998 | Lee | | 482/51 |
| 5,755,643 | A | * | 5/1998 | Sands et al. | | 482/51 |
| 5,762,588 | A | * | 6/1998 | Chen | | 482/57 |
| 5,779,599 | A | * | 7/1998 | Chen | | 482/51 |
| 5,782,722 | A | * | 7/1998 | Sands et al. | | 482/51 |
| D397,383 | S | * | 8/1998 | Sands et al. | | D21/663 |

| | | | | | | |
|-----------|---|---|---------|-----------------|-------|---------|
| D398,672 | S | * | 9/1998 | Sands et al. | | D21/663 |
| D401,645 | S | * | 11/1998 | Kuo | | D21/668 |
| D405,852 | S | * | 2/1999 | McBride | | D21/668 |
| D410,978 | S | * | 6/1999 | Littrell et al. | | D21/668 |
| 6,007,462 | A | * | 12/1999 | Chen | | 482/51 |
| 6,063,008 | A | * | 5/2000 | McBride et al. | | 482/52 |

* cited by examiner

Primary Examiner—Philip S. Hyder

(74) *Attorney, Agent, or Firm*—Gene Scott-Patent Law & Venture Group

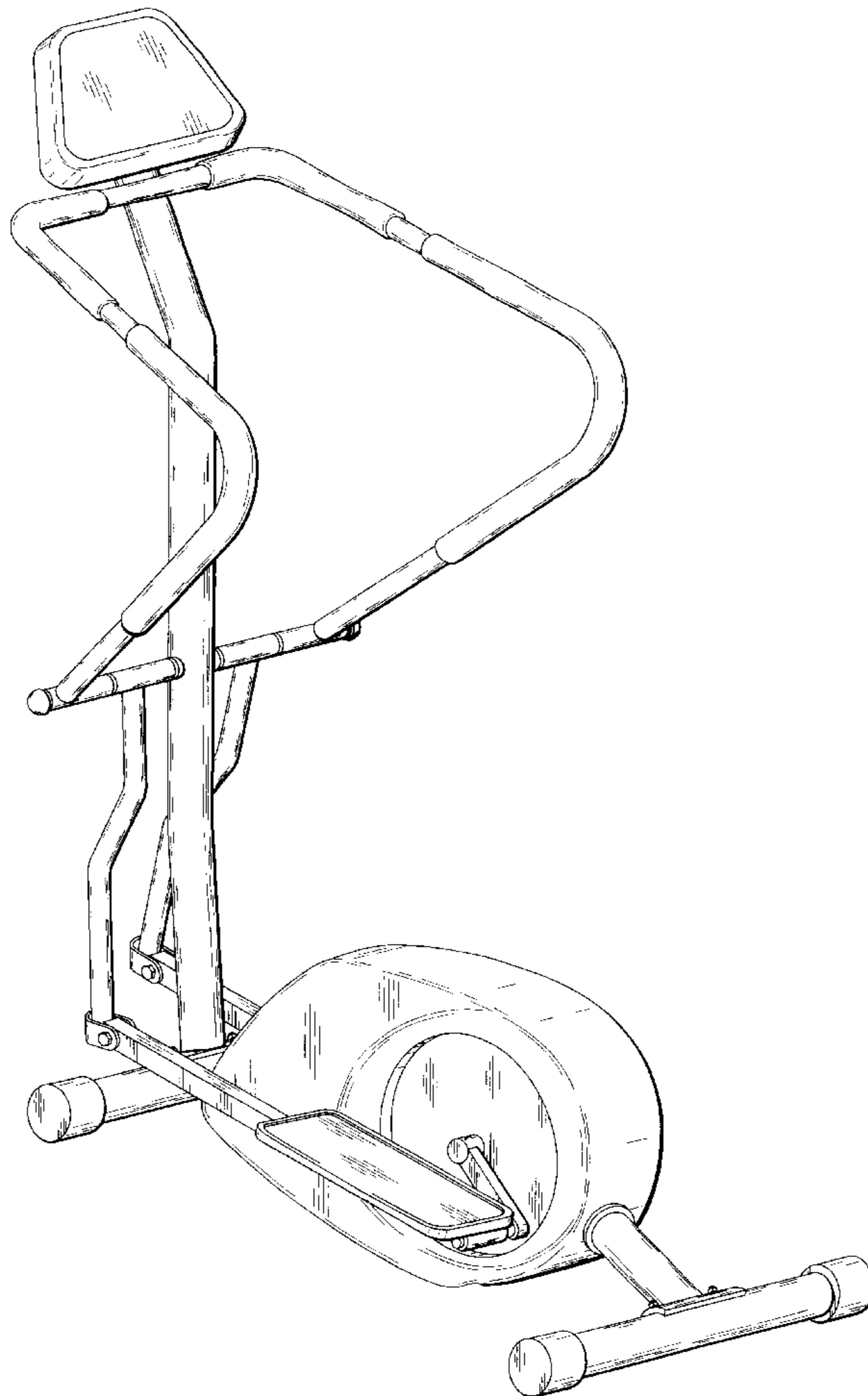
(57) **CLAIM**

The ornamental design for a stepper without arm motion, as shown and described.

DESCRIPTION

FIG. 1 is a perspective view of a stepper without arm motion, showing my new design;
FIG. 2 is a left side elevation view thereof;
FIG. 3 is a right side elevation view thereof;
FIG. 4 is a front elevation view thereof;
FIG. 5 is a rear elevation view thereof;
FIG. 6 is a top plan view thereof; and,
FIG. 7 is a bottom plan view thereof.

1 Claim, 5 Drawing Sheets



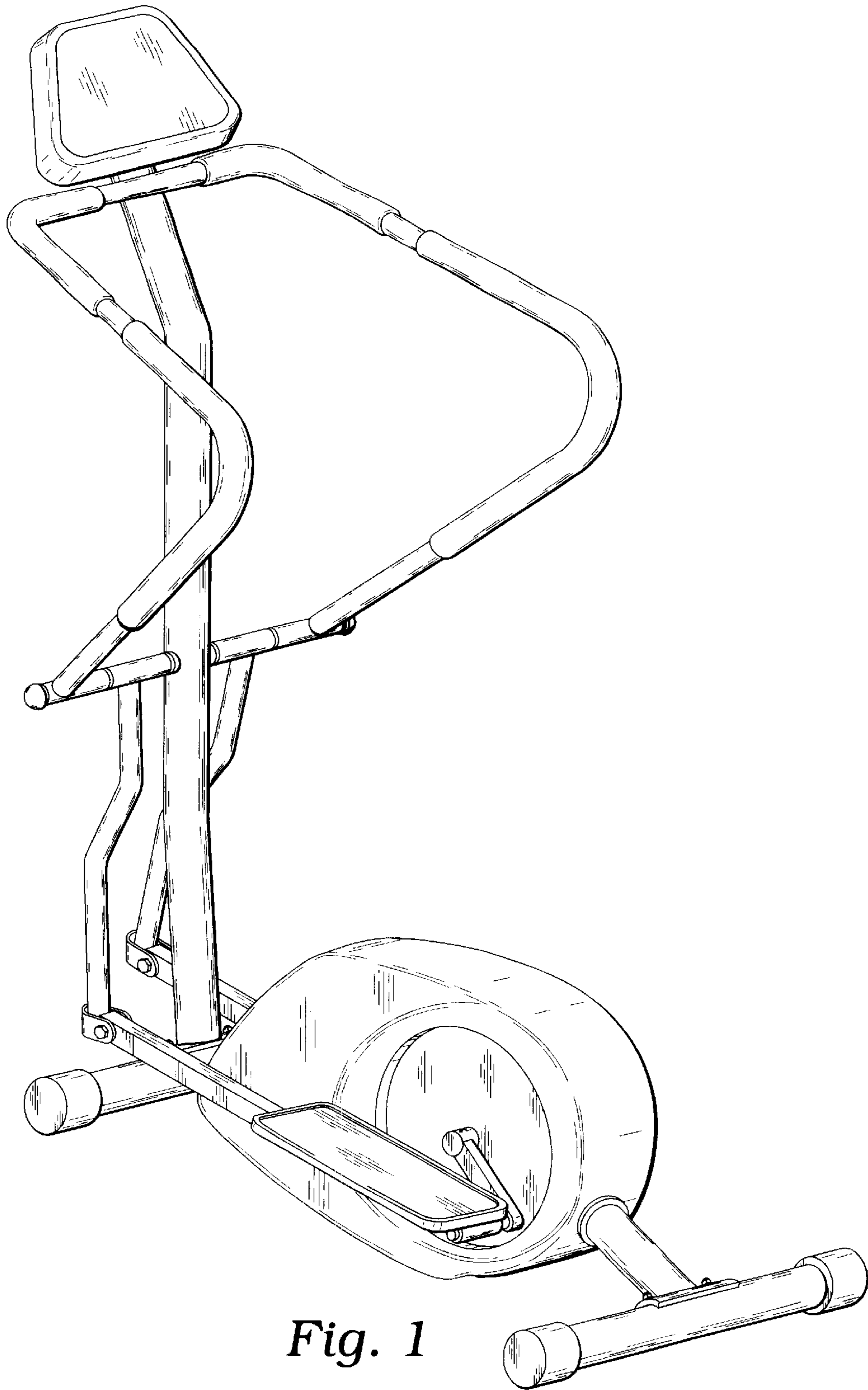


Fig. 1

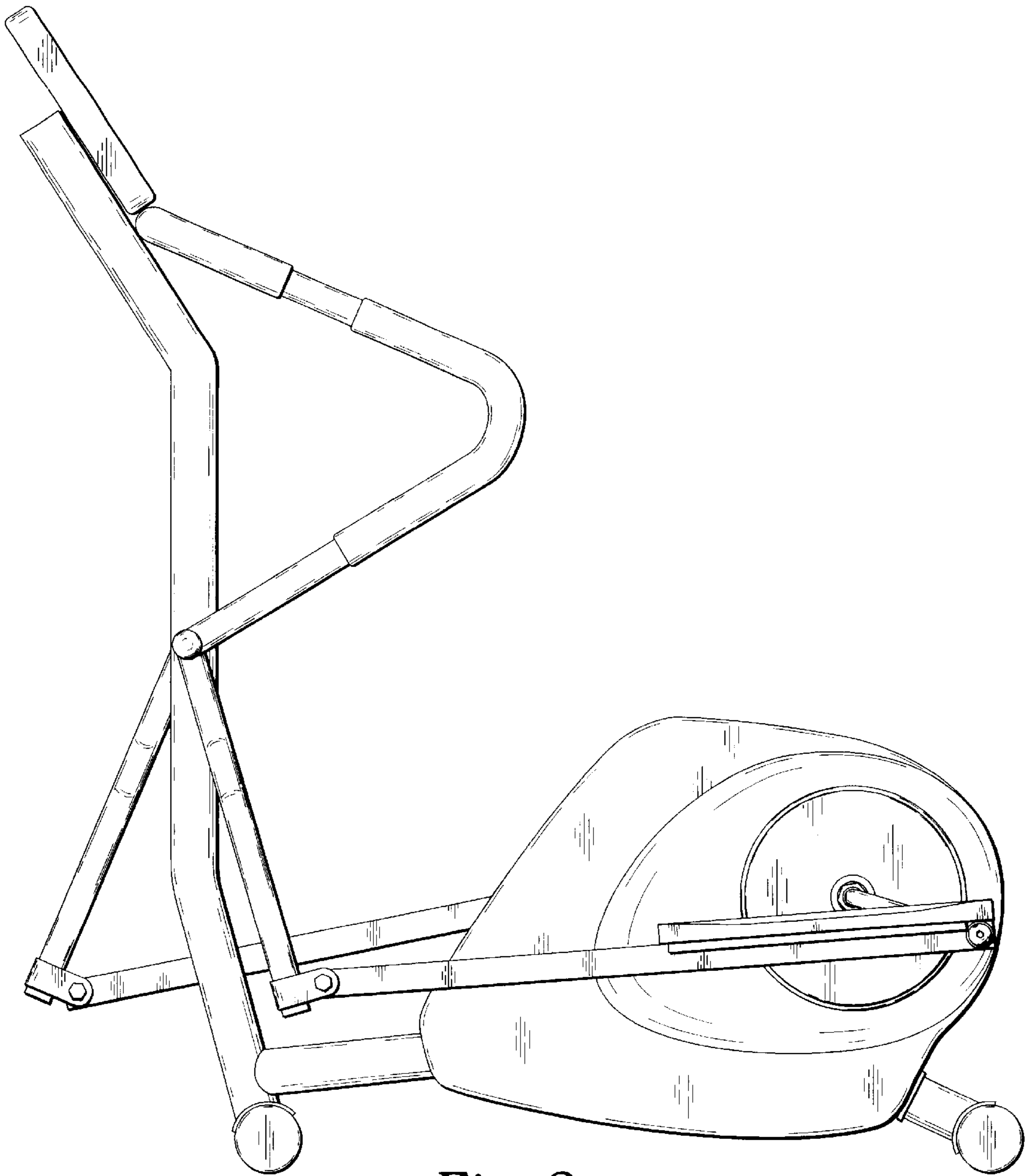


Fig. 2

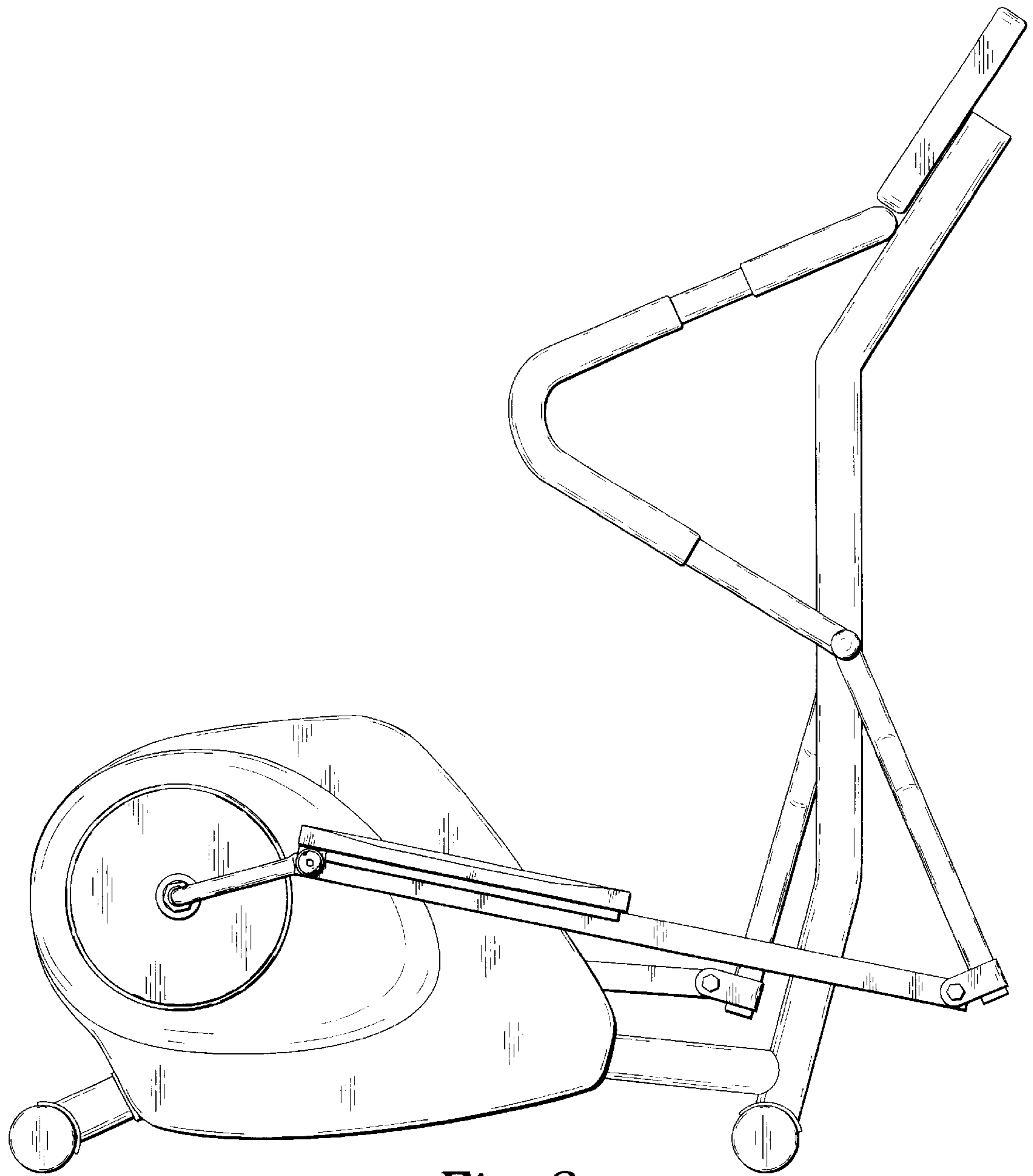


Fig. 3

4/5

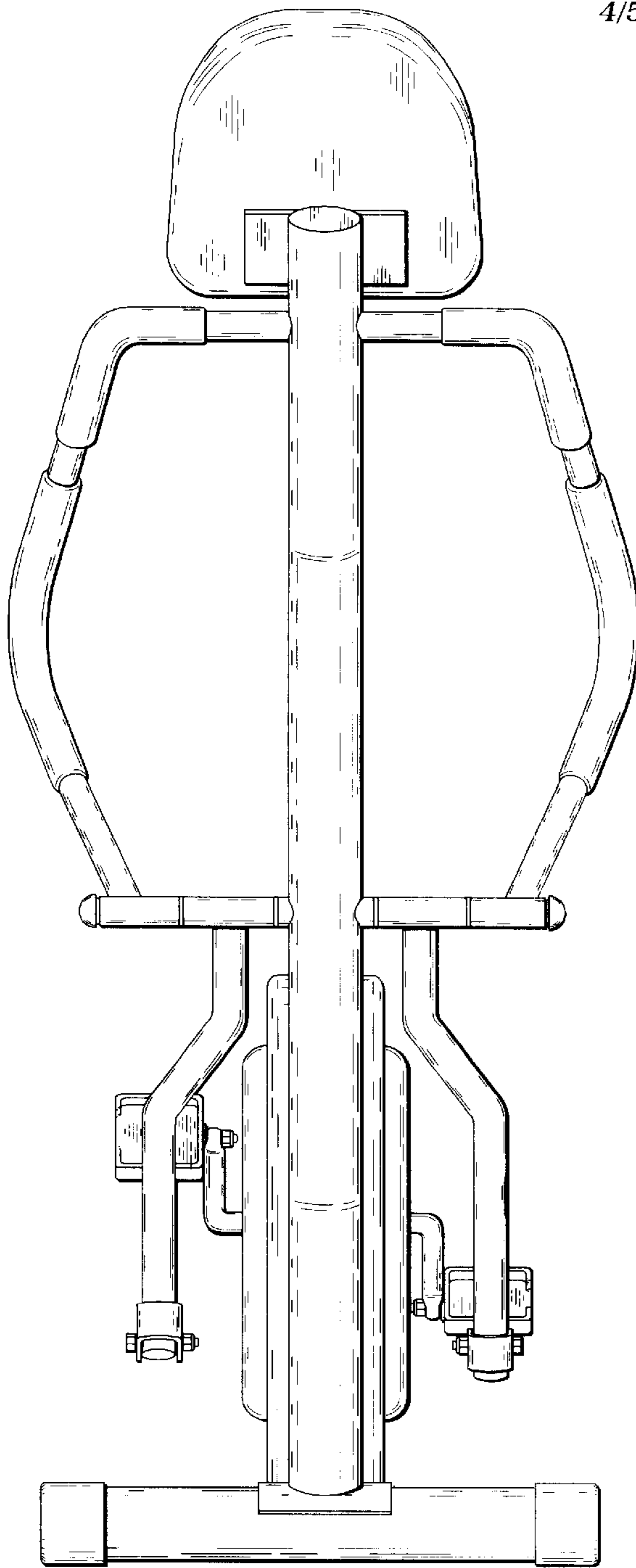


Fig. 4

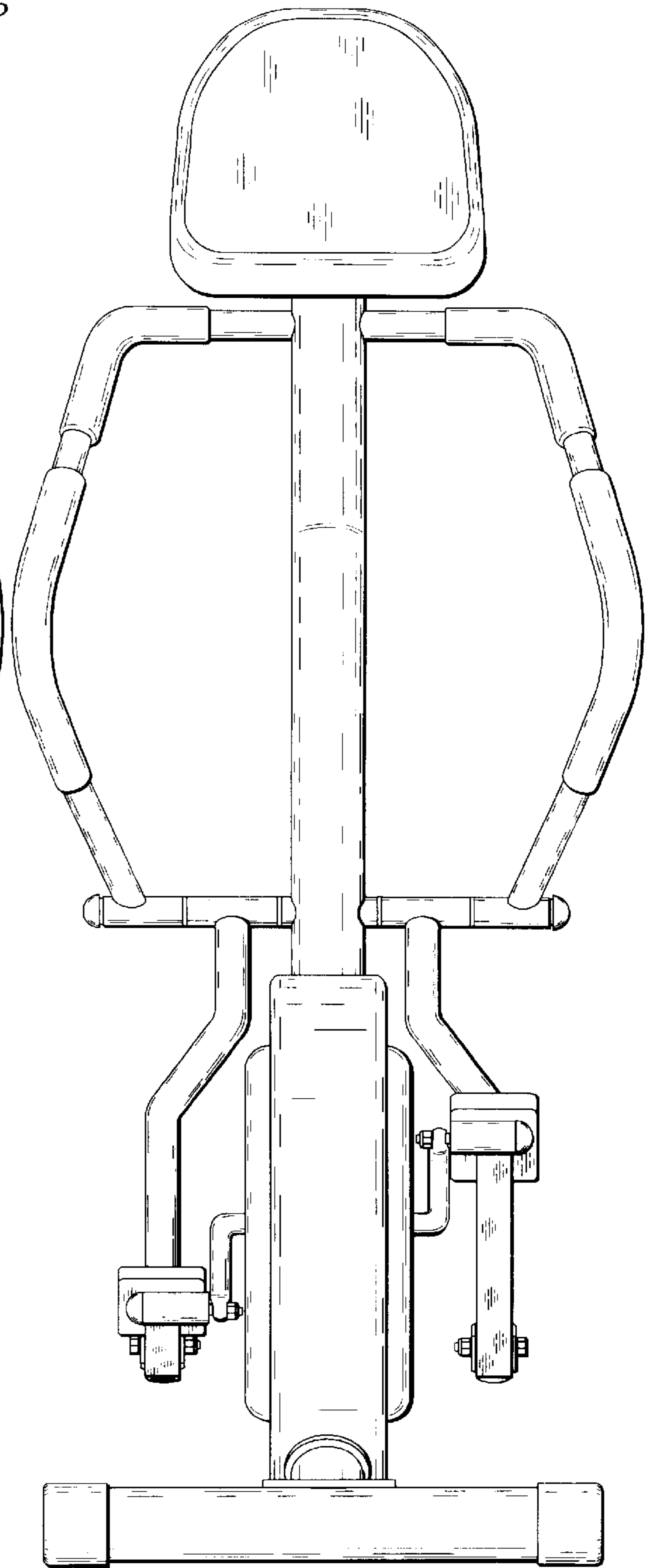


Fig. 5

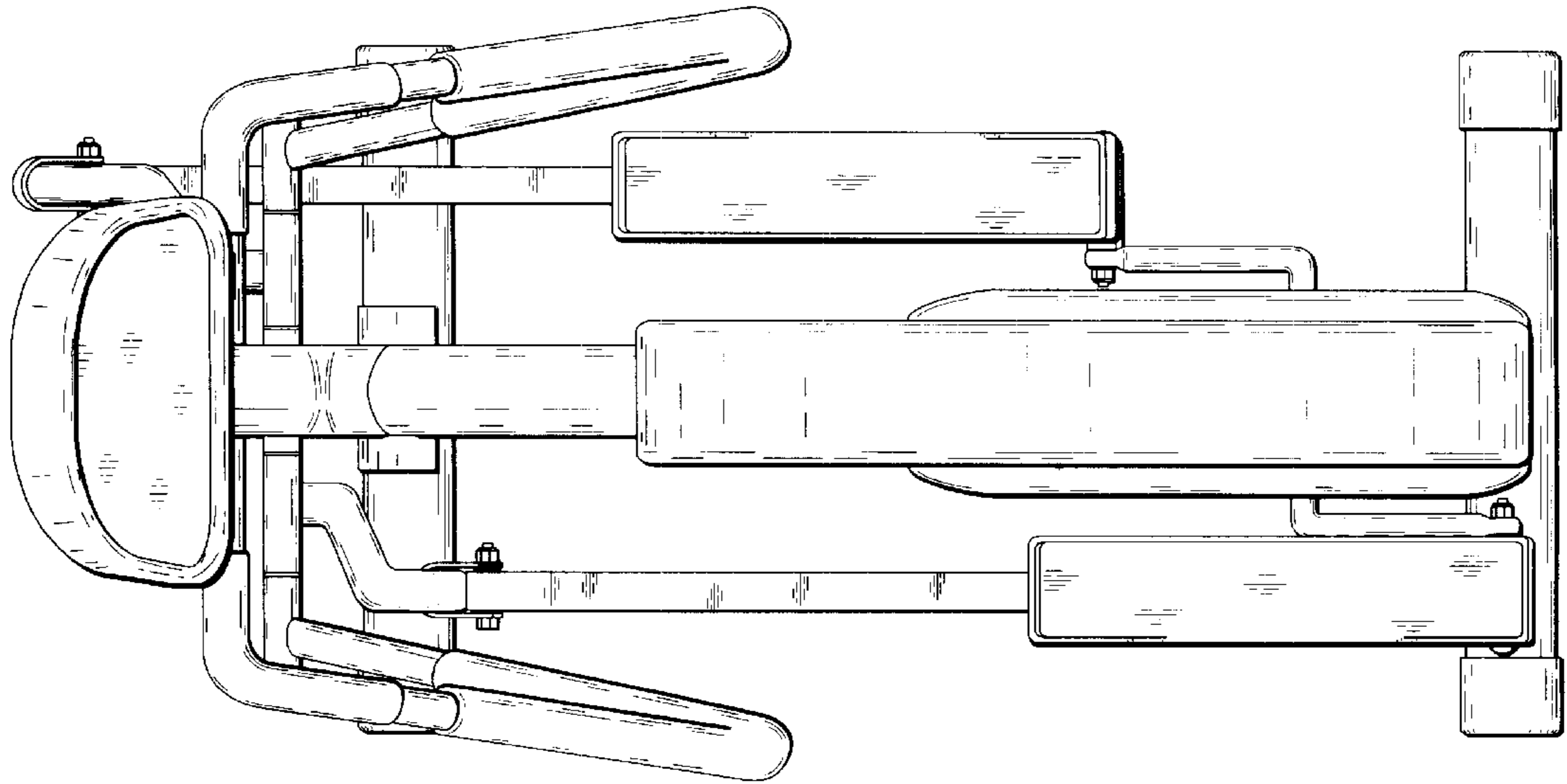


Fig. 6

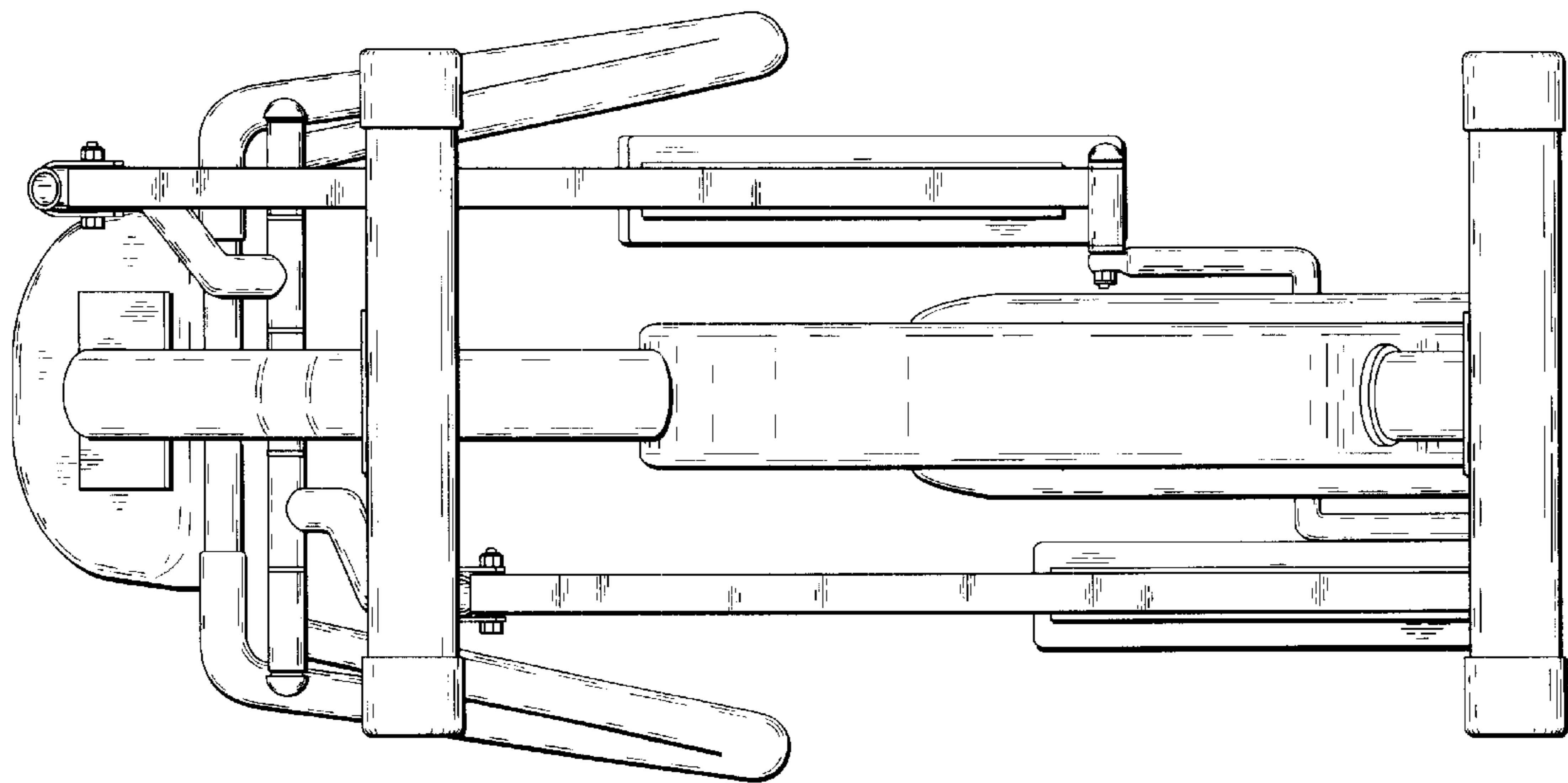


Fig. 7