



US00D459411S

(12) **United States Design Patent**
Berger

(10) **Patent No.:** **US D459,411 S**

(45) **Date of Patent:** **** Jun. 25, 2002**

(54) **TOY VEHICLE**

(76) **Inventor:** **Jeffrey L. Berger**, 495 N. Maple St.,
Zionsville, IN (US) 46077

(**) **Term:** **14 Years**

(21) **Appl. No.:** **29/143,585**

(22) **Filed:** **Jun. 15, 2001**

(51) **LOC (7) Cl.** **21-01**

(52) **U.S. Cl.** **D21/552**

(58) **Field of Search** D21/419, 424,
D21/433, 434, 533, 552, 554, 556-559,
561, 580; D12/1, 3, 14, 97, 84, 102; 446/426-427,
433, 460, 467, 94; 296/181-183, 190, 164,
178, 156

(56) **References Cited**

U.S. PATENT DOCUMENTS

D246,772 S * 12/1977 Brubaker D12/1
D266,573 S * 10/1982 Hanzawa D21/552

D419,921 S * 2/2000 Mishler D12/99
D435,489 S * 12/2000 Koenders D12/99
D445,466 S * 7/2001 Ma D21/552

* cited by examiner

Primary Examiner—Raphael Barkai

(74) *Attorney, Agent, or Firm*—Woodard, Emhardt,
Naughton, Moriarty & McNett

(57) **CLAIM**

The ornamental design for a toy vehicle, as shown and described.

DESCRIPTION

FIG. 1 is a perspective view of the toy vehicle, showing my new design.

FIG. 2 is a left side elevational view of the toy vehicle.

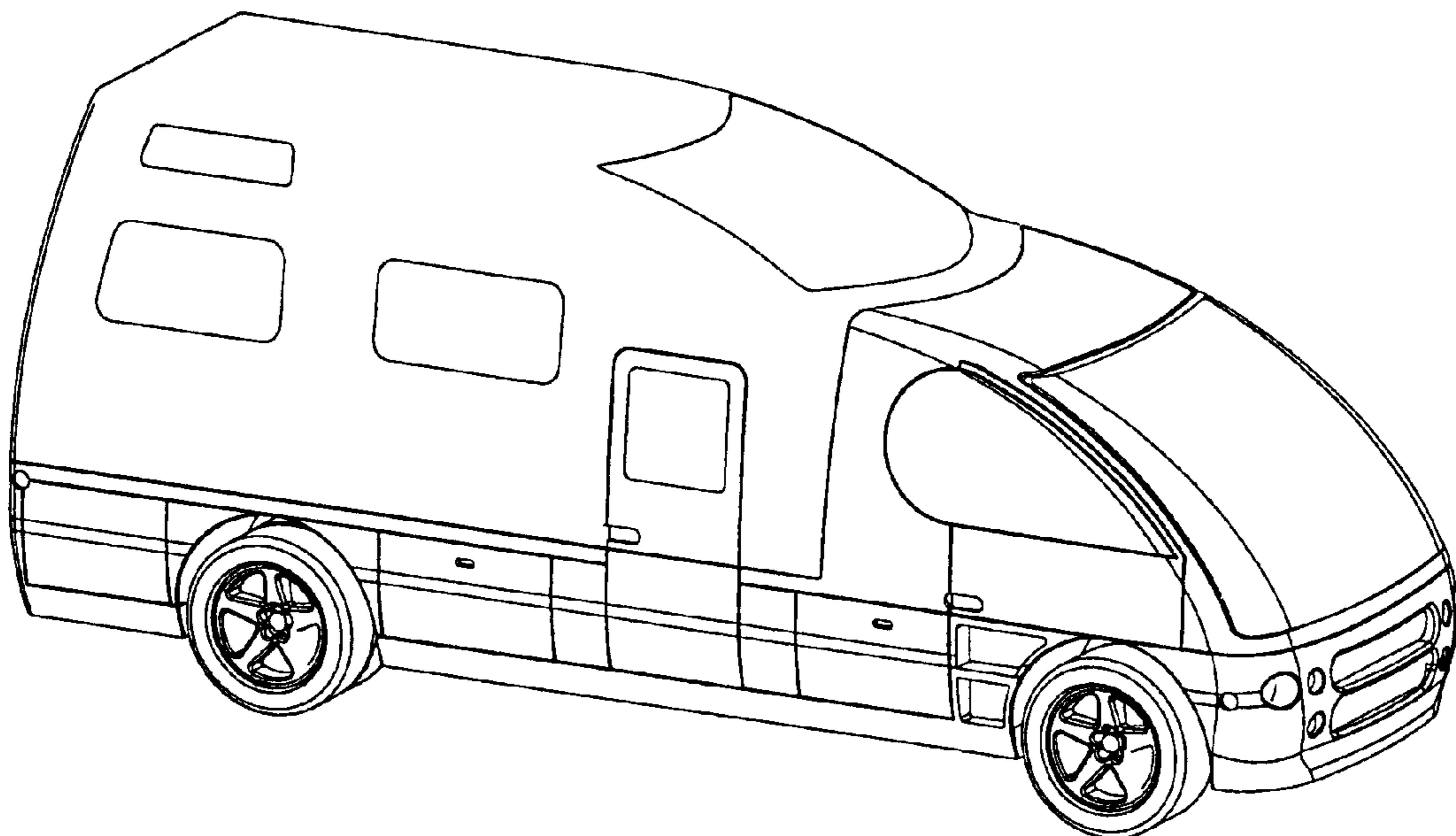
FIG. 3 is a top plan view of the toy vehicle.

FIG. 4 is a rear elevational view of the toy vehicle.

FIG. 5 is a right side elevational view of the toy vehicle; and,

FIG. 6 is a front elevational view of the toy vehicle.

1 Claim, 2 Drawing Sheets



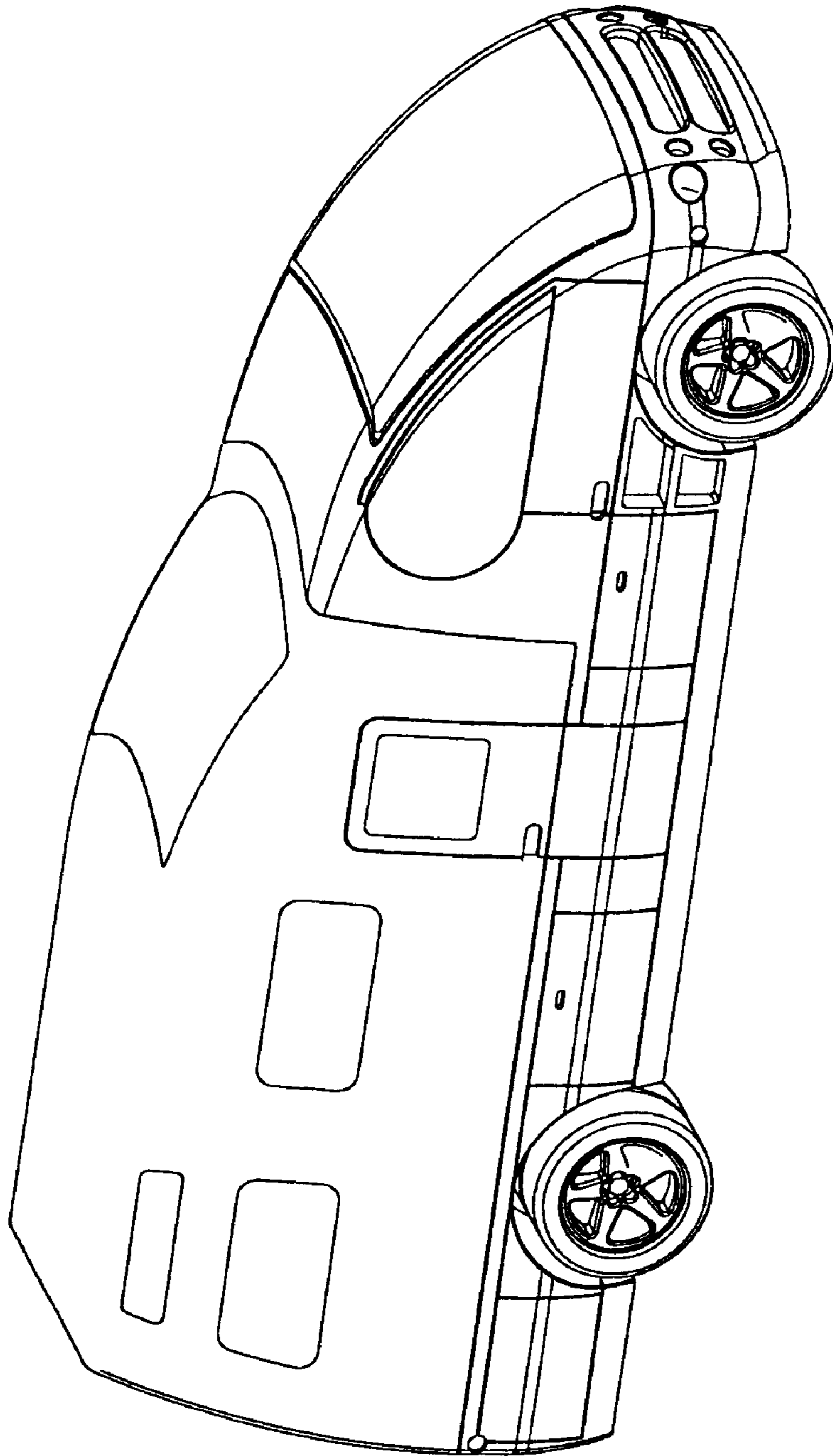


Fig. 1

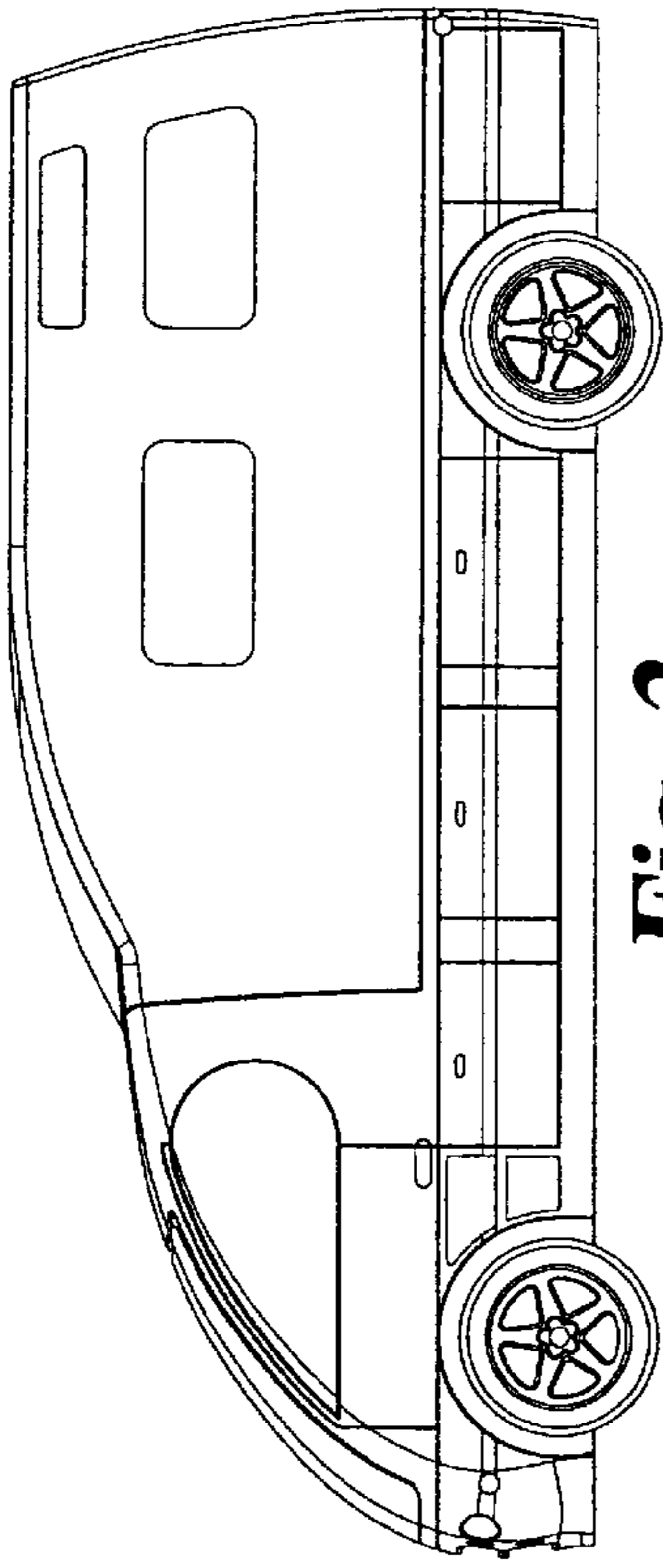


Fig. 2

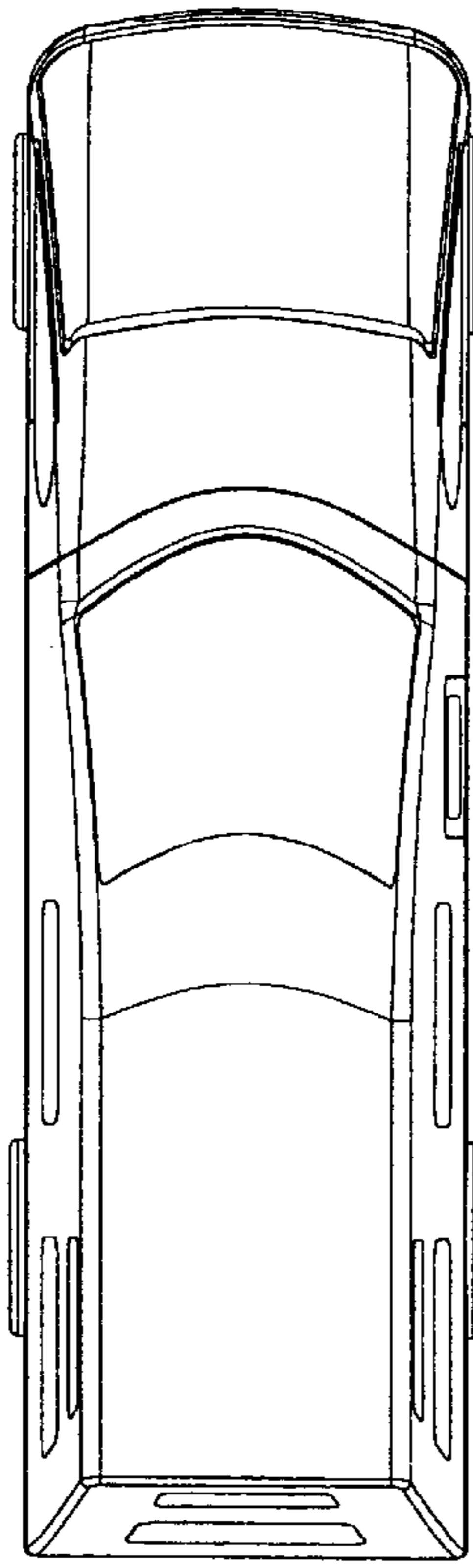


Fig. 3

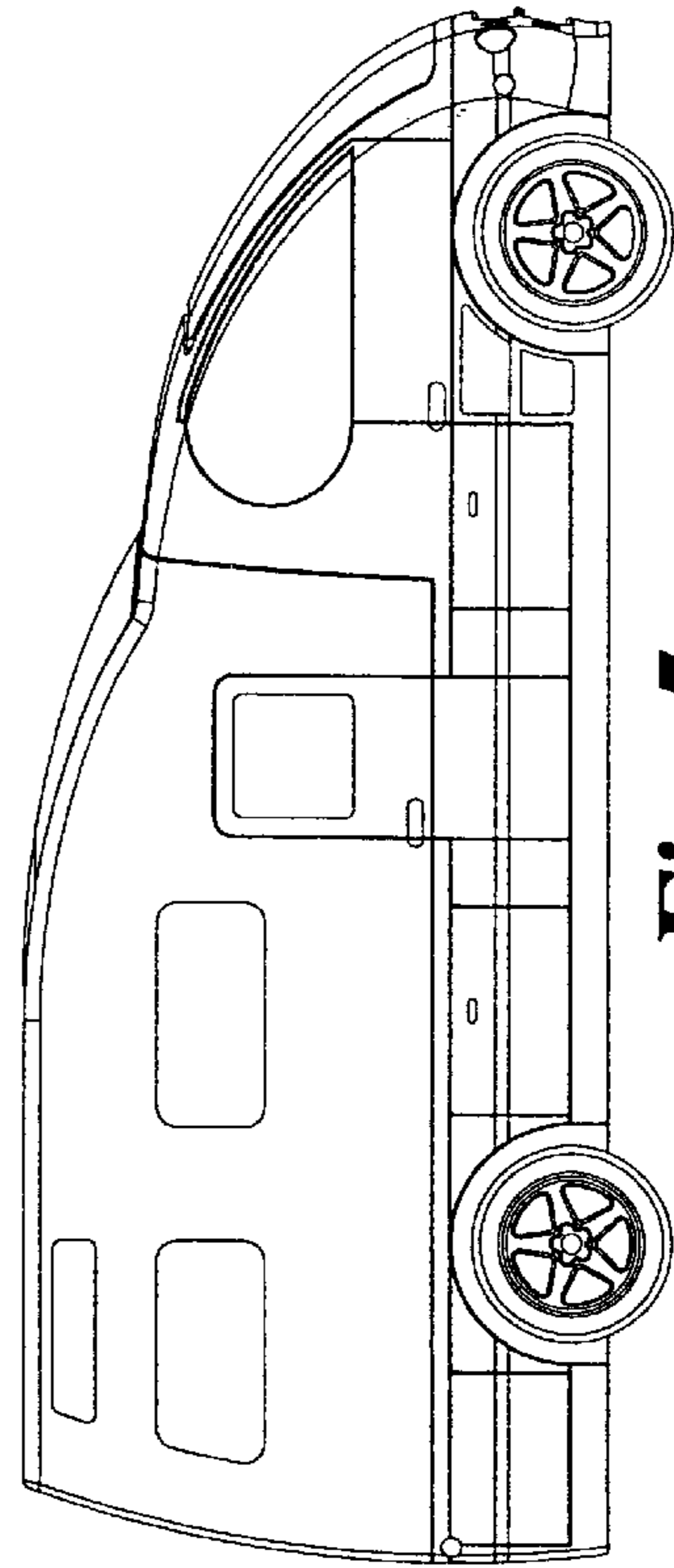


Fig. 5

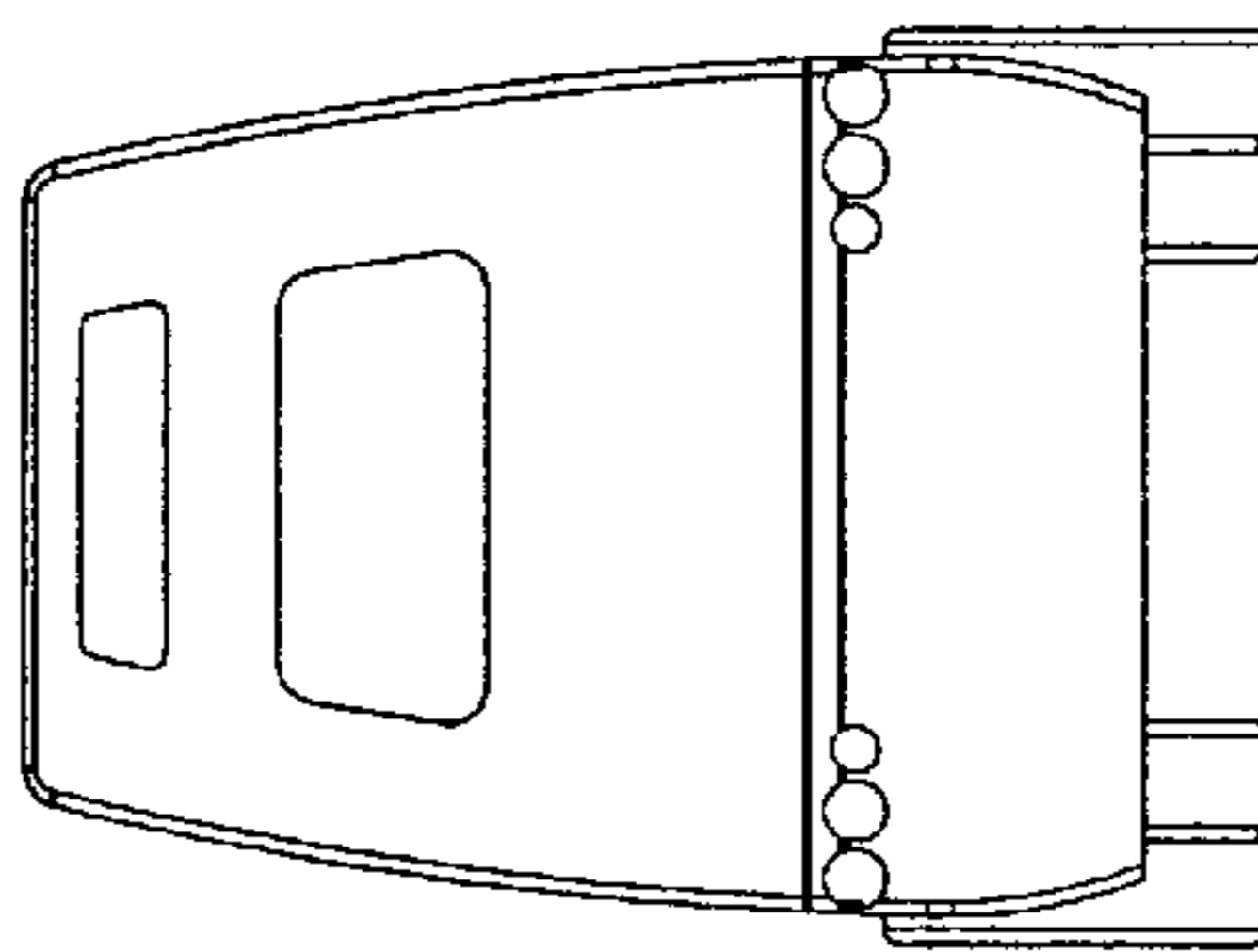


Fig. 4

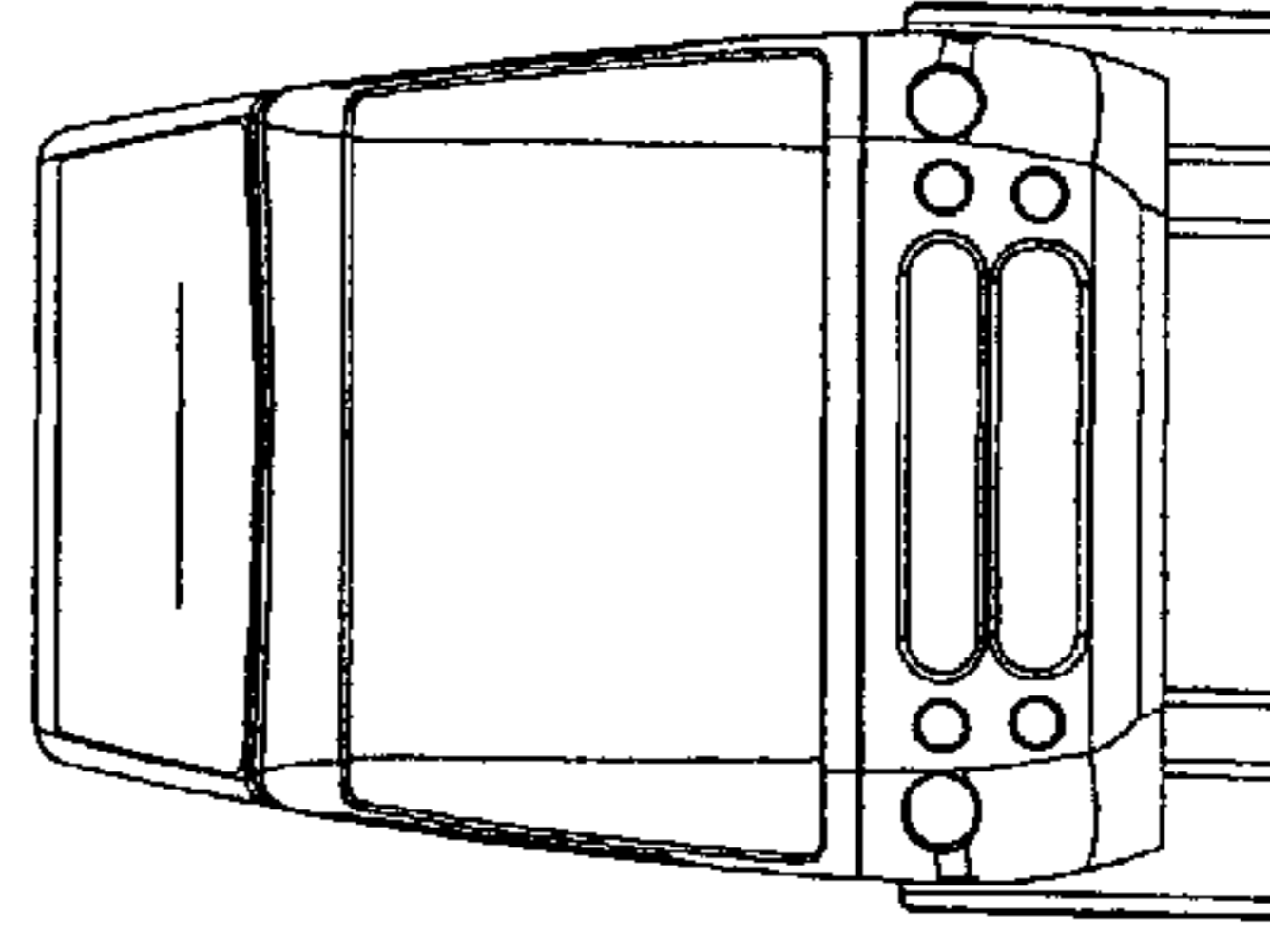


Fig. 6