



US00D459410S

(12) **United States Design Patent**
Wang

(10) **Patent No.:** **US D459,410 S**

(45) **Date of Patent:** **** Jun. 25, 2002**

(54) **KITE**

(75) Inventor: **Jung-Yuan (Jay) Wang**, Mississauga (CA)

(73) Assignee: **Itemax International, Inc.**, Mississauga (CA)

(**) Term: **14 Years**

(21) Appl. No.: **29/129,150**

(22) Filed: **Sep. 8, 2000**

(51) **LOC (7) Cl.** **21-02**

(52) **U.S. Cl.** **D21/455**

(58) **Field of Search** D21/445, 446, D21/443; 244/153 R, 154, 155, 153 A

(56) **References Cited**

U.S. PATENT DOCUMENTS

| | | | | |
|-------------|-----------|--------|-------|---------|
| 2,124,992 A | 7/1938 | Wood | | 244/154 |
| D168,383 S | * 12/1952 | Smith | | D21/445 |
| D223,716 S | * 5/1972 | Choong | | D21/445 |
| D407,126 S | * 3/1999 | Wang | | D21/445 |
| D428,071 S | * 7/2000 | Wang | | D21/453 |
| D428,072 S | * 7/2000 | Wang | | D21/453 |
| D428,451 S | * 7/2000 | Wang | | D21/453 |
| D432,187 S | * 10/2000 | Wang | | D21/445 |
| D443,902 S | * 6/2001 | Wang | | D21/445 |

* cited by examiner

Primary Examiner—Dominic Simone
(74) *Attorney, Agent, or Firm*—Bereskin & Parr

(57) **CLAIM**

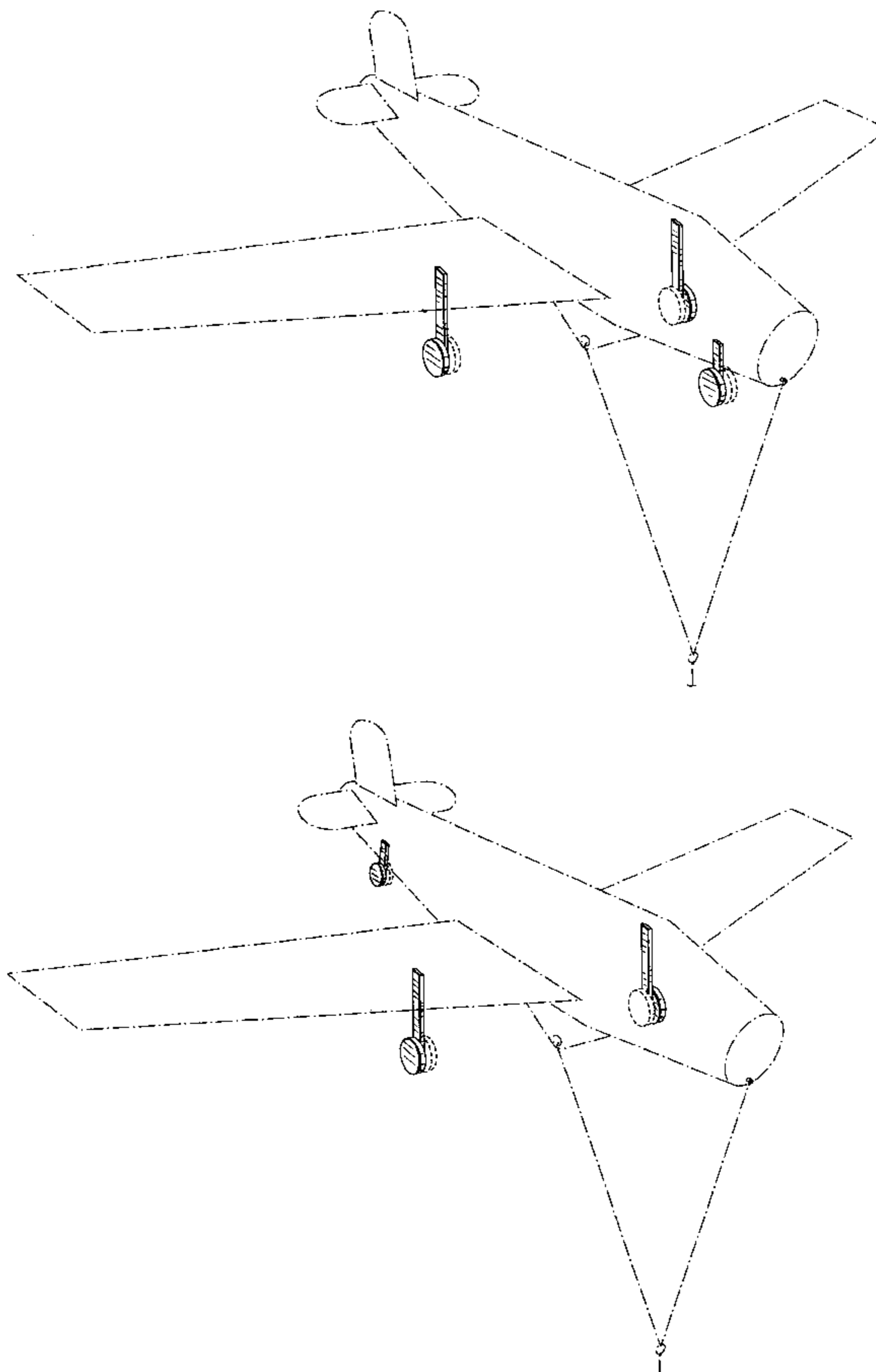
The ornamental design for a kite, as shown.

DESCRIPTION

FIG. 1 is an isometric view from the front and to one side of the new design;
 FIG. 2 is a right side elevation view thereof;
 FIG. 3 is a left side elevation view thereof;
 FIG. 4 is a front elevation view thereof;
 FIG. 5 is a rear elevation view thereof;
 FIG. 6 is a top plan view thereof;
 FIG. 7 is a bottom plan view thereof;
 FIG. 8 is an isometric view from the front and to one side of a second embodiment of the design;
 FIG. 9 is a right side elevation view thereof;
 FIG. 10 is a left side elevation view thereof;
 FIG. 11 is a front elevation view thereof;
 FIG. 12 is a rear elevation view thereof;
 FIG. 13 is a top plan view thereof; and,
 FIG. 14 is a bottom plan view thereof.

The portion of the kite shown in broken lines is for illustrative purposes only and forms no part of the claimed design.

1 Claim, 14 Drawing Sheets



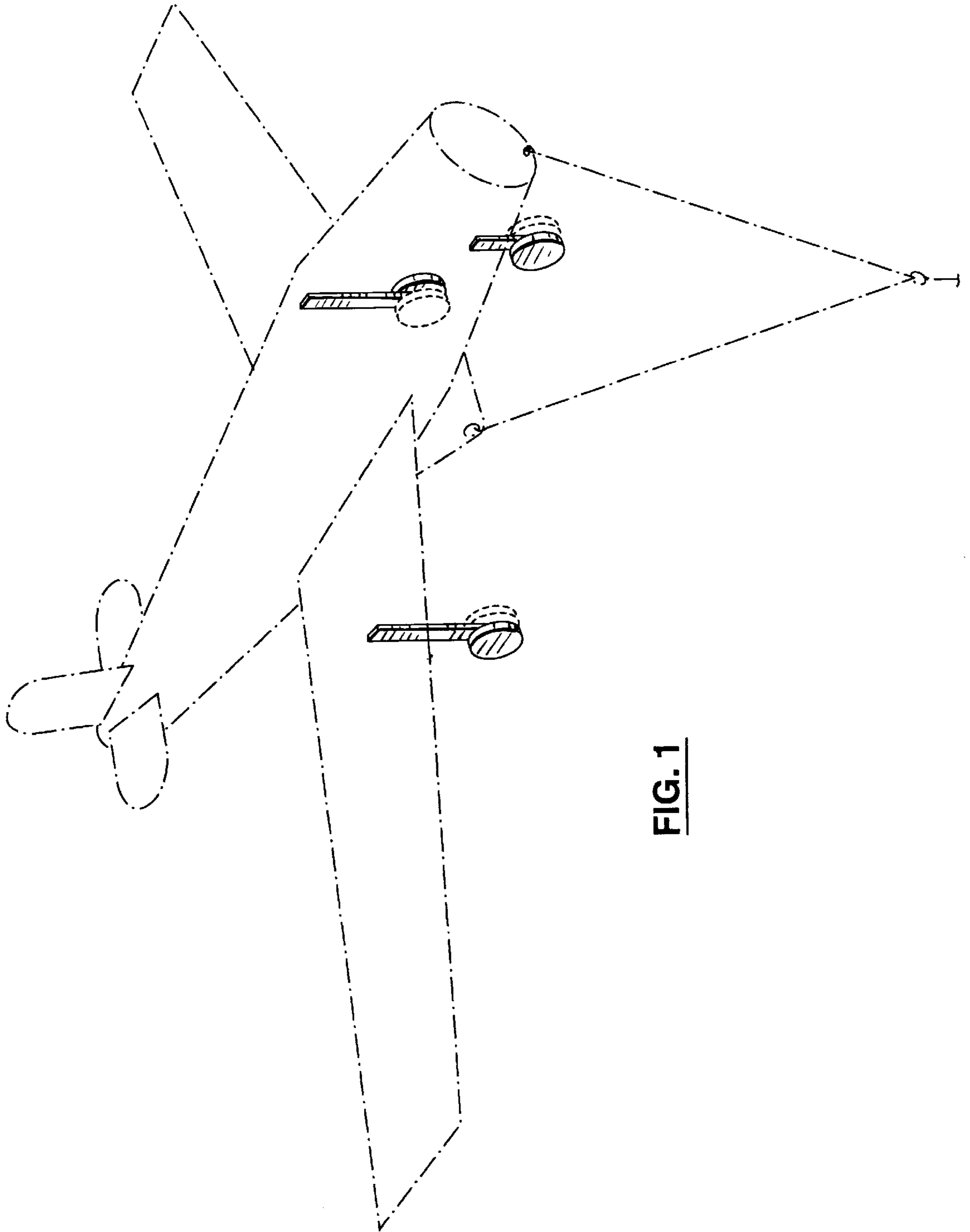


FIG. 1

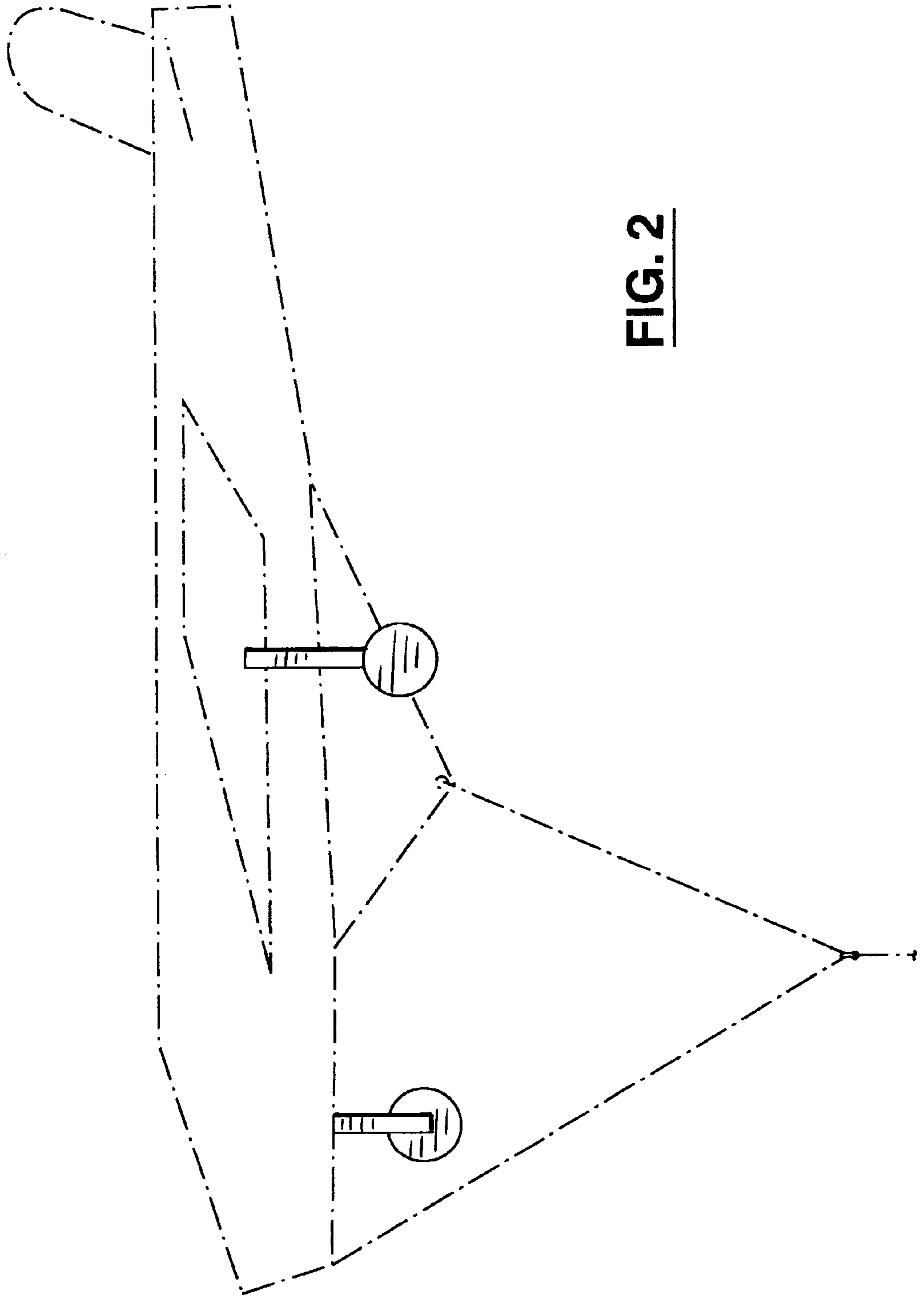


FIG. 2

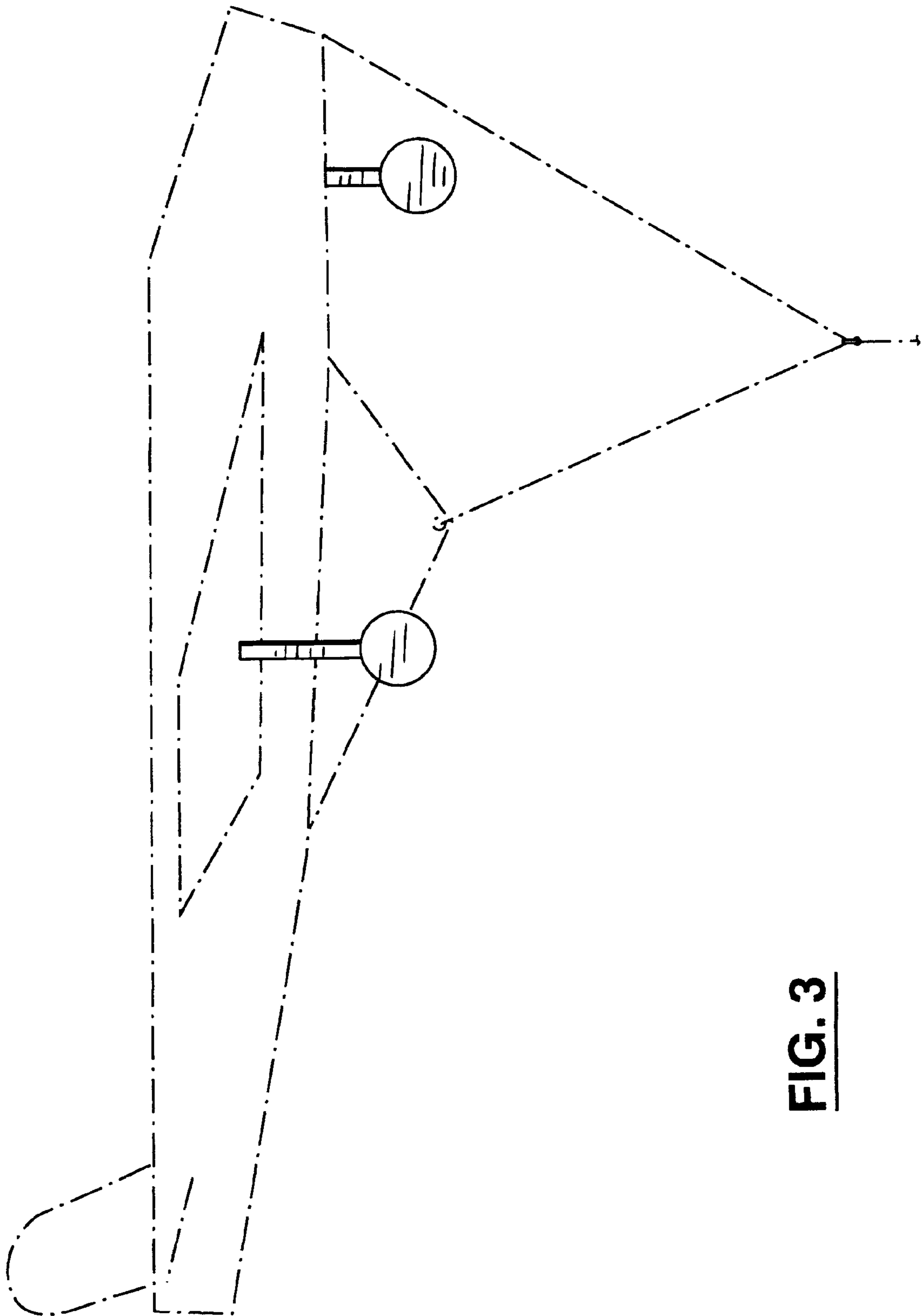


FIG. 3

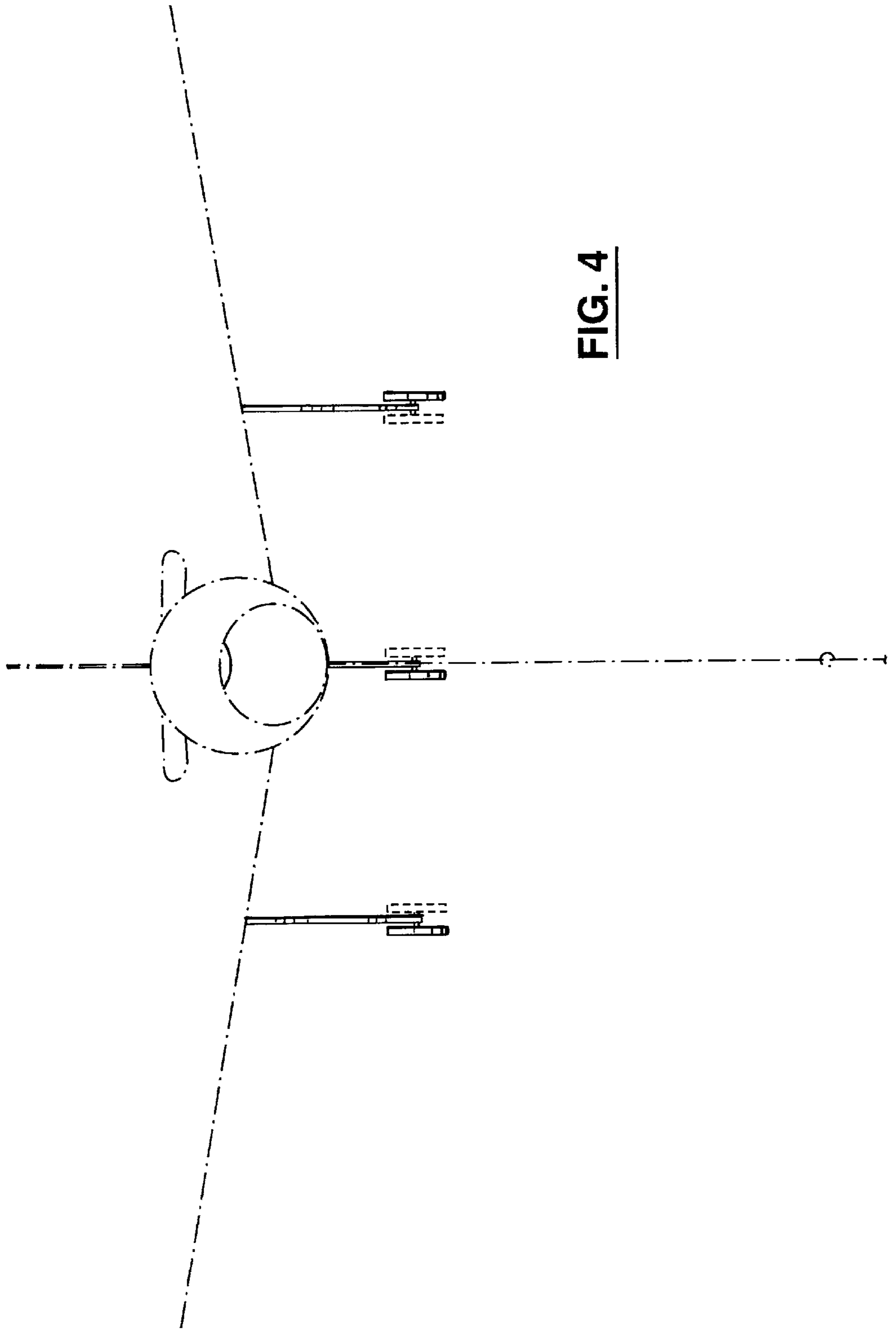


FIG. 4

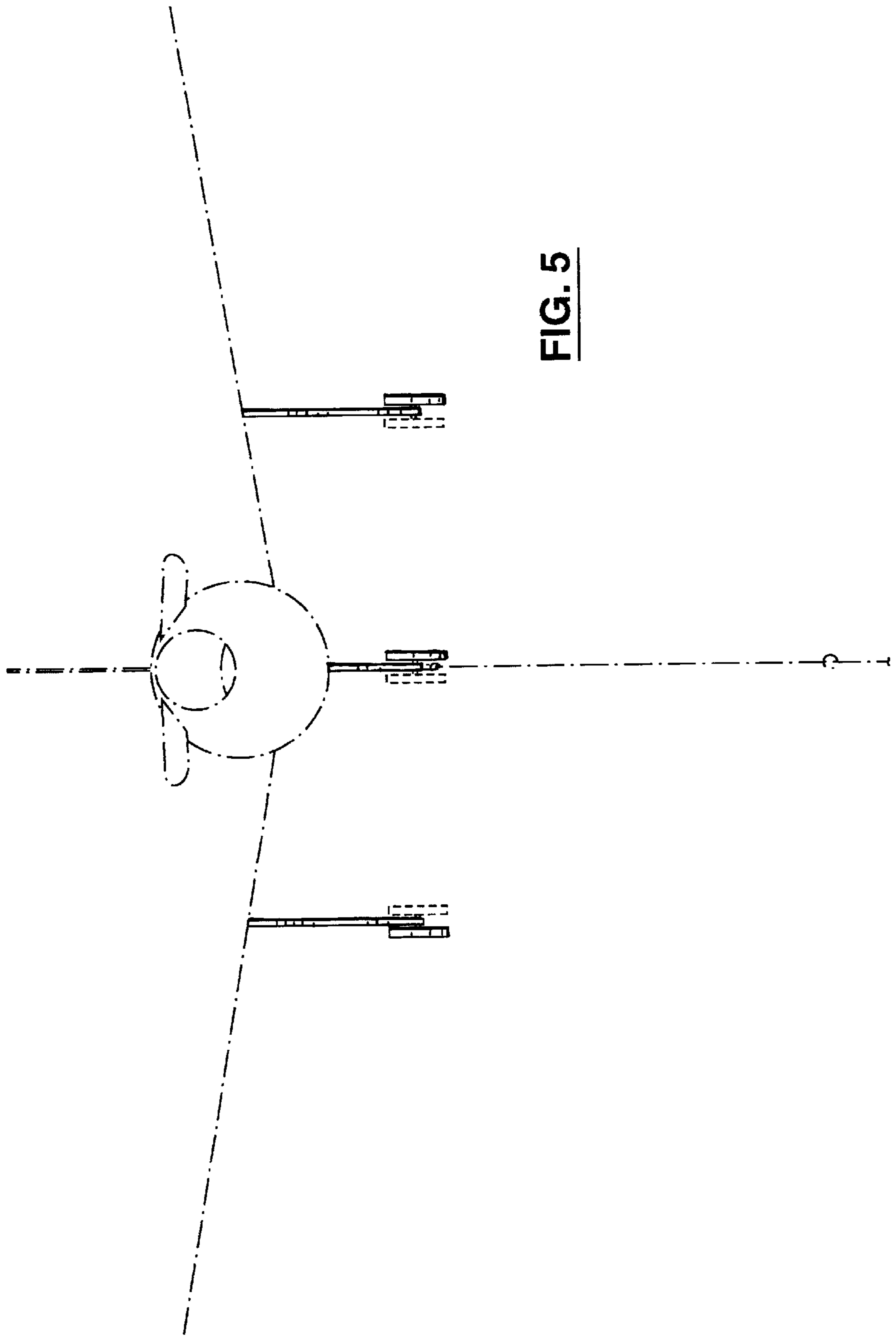


FIG. 5

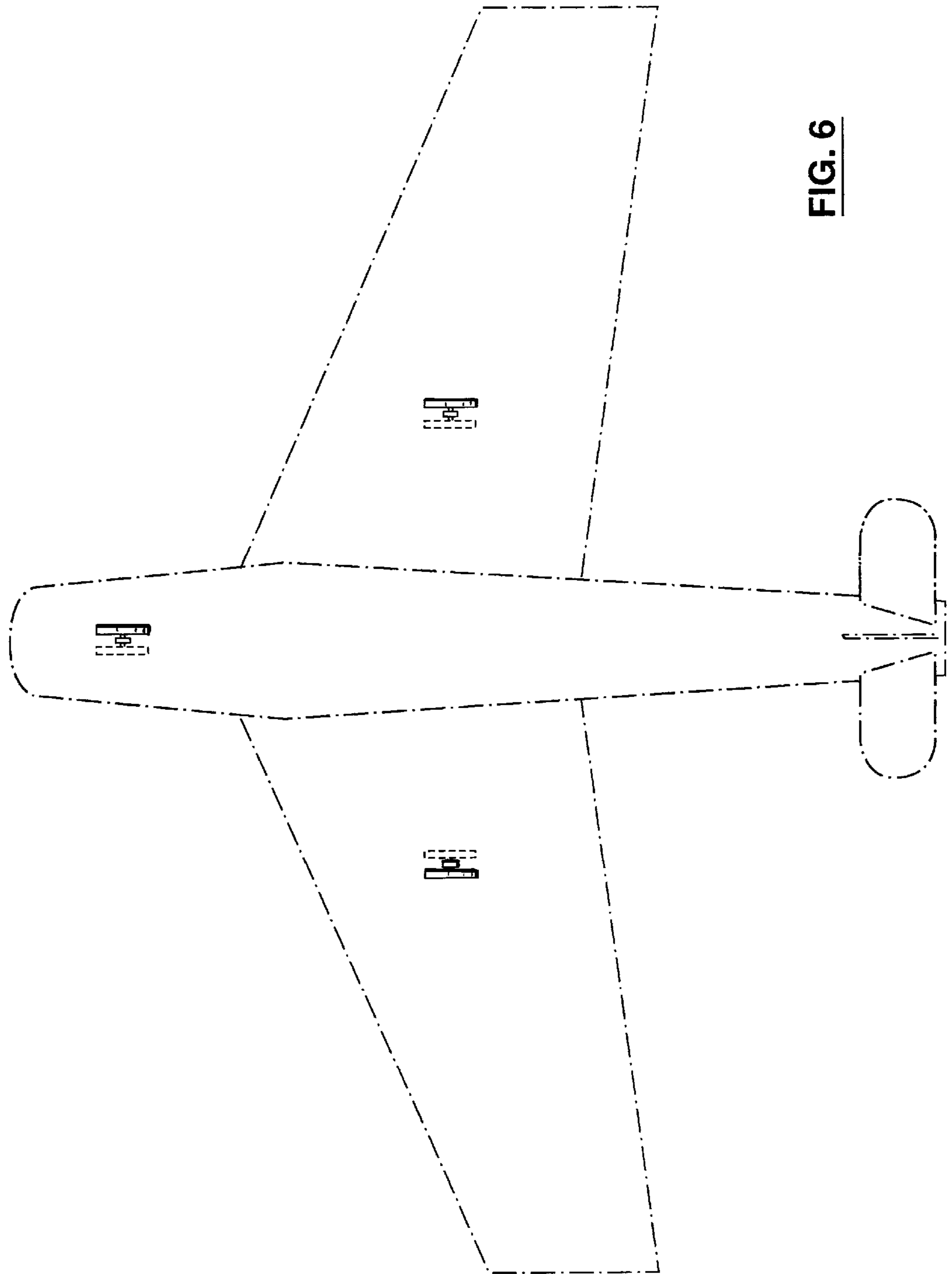


FIG. 6

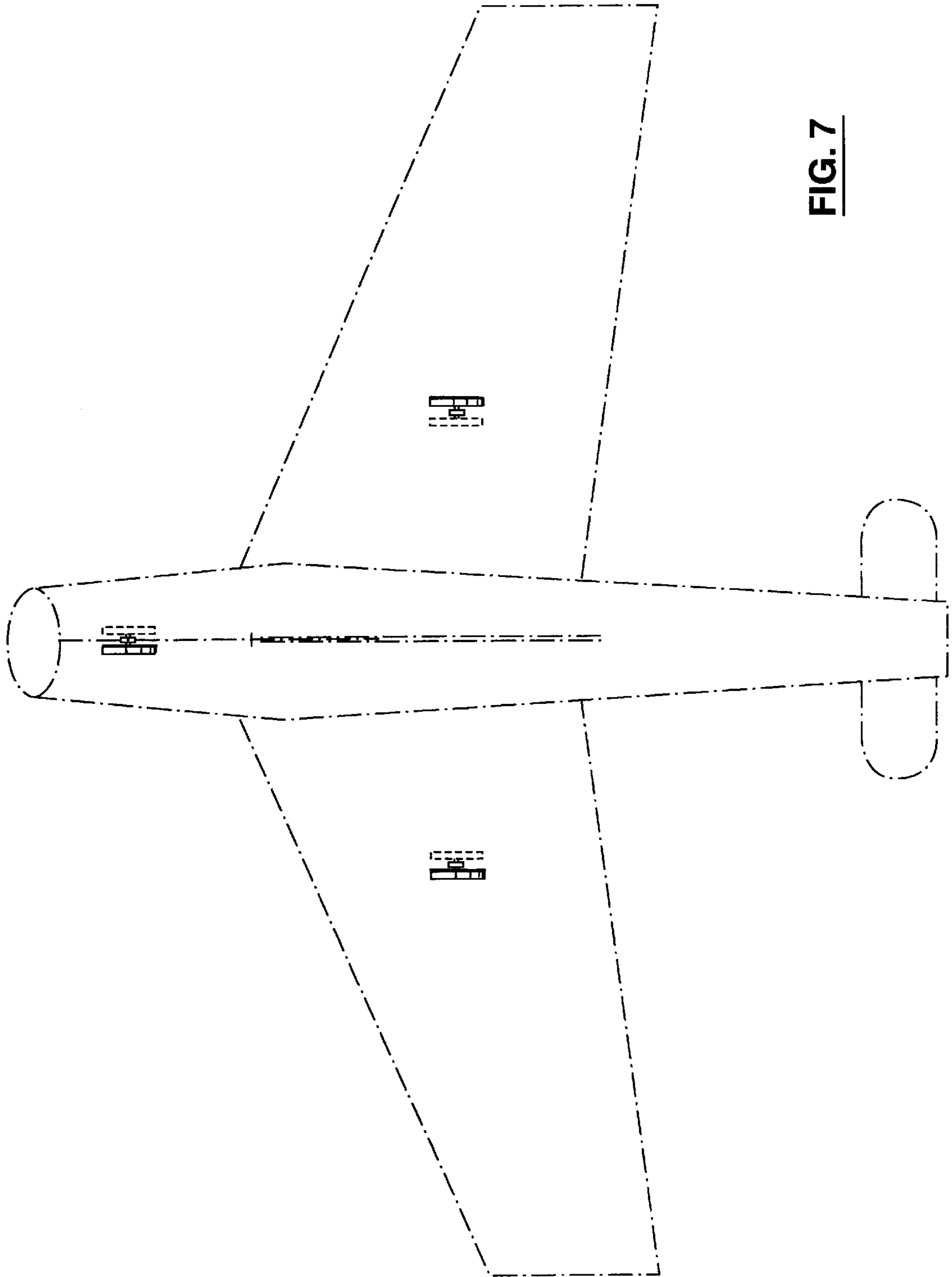


FIG. 7

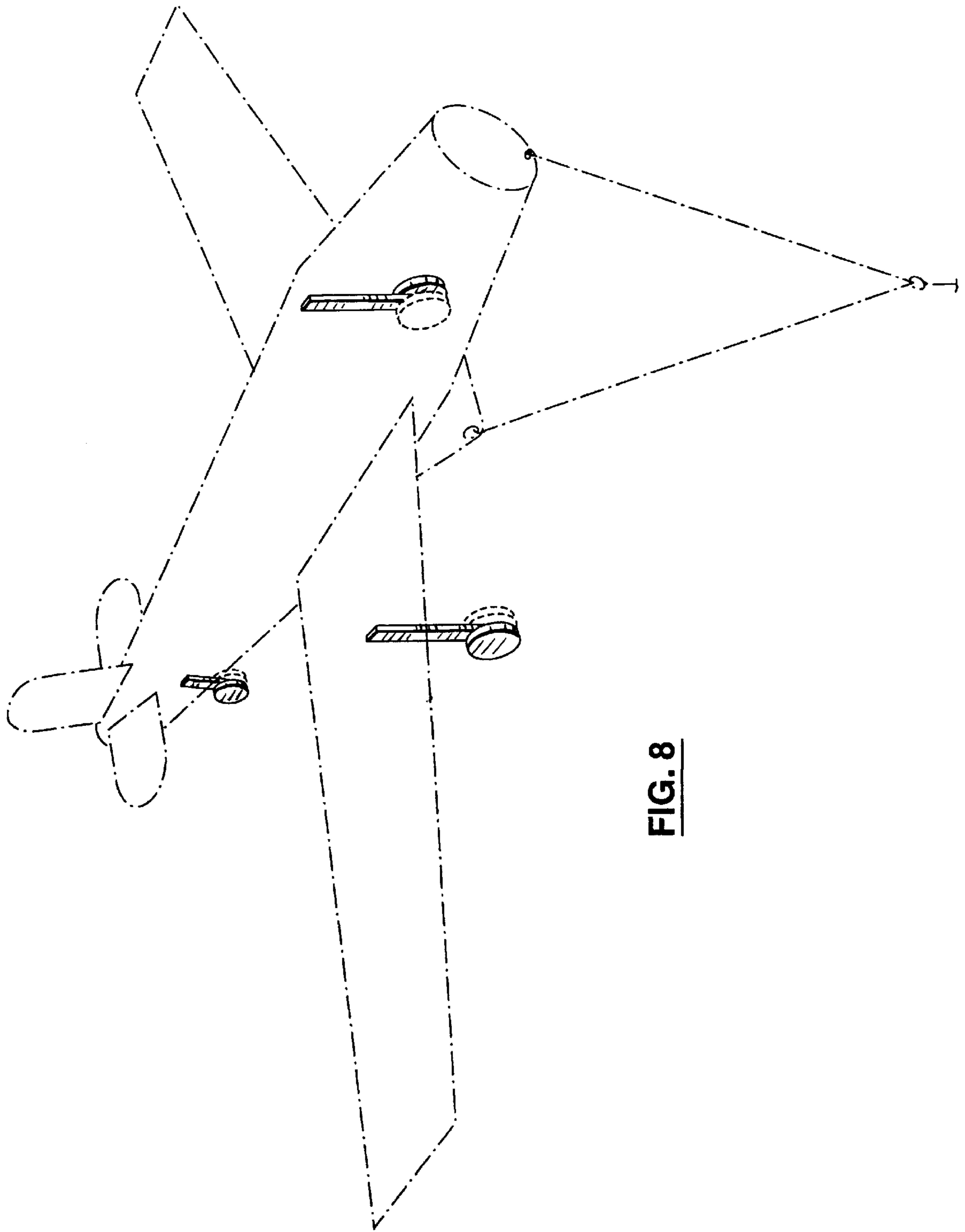


FIG. 8

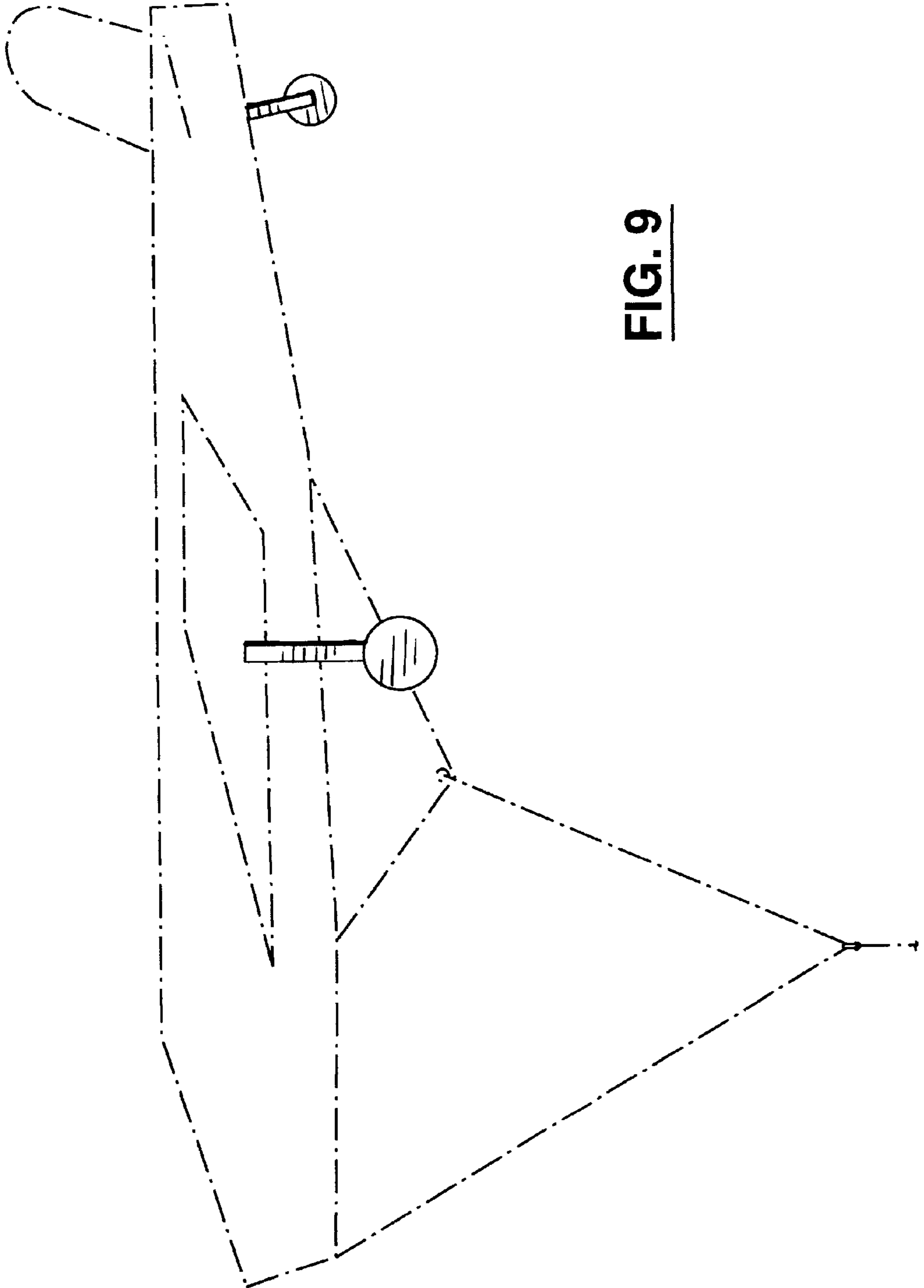


FIG. 9

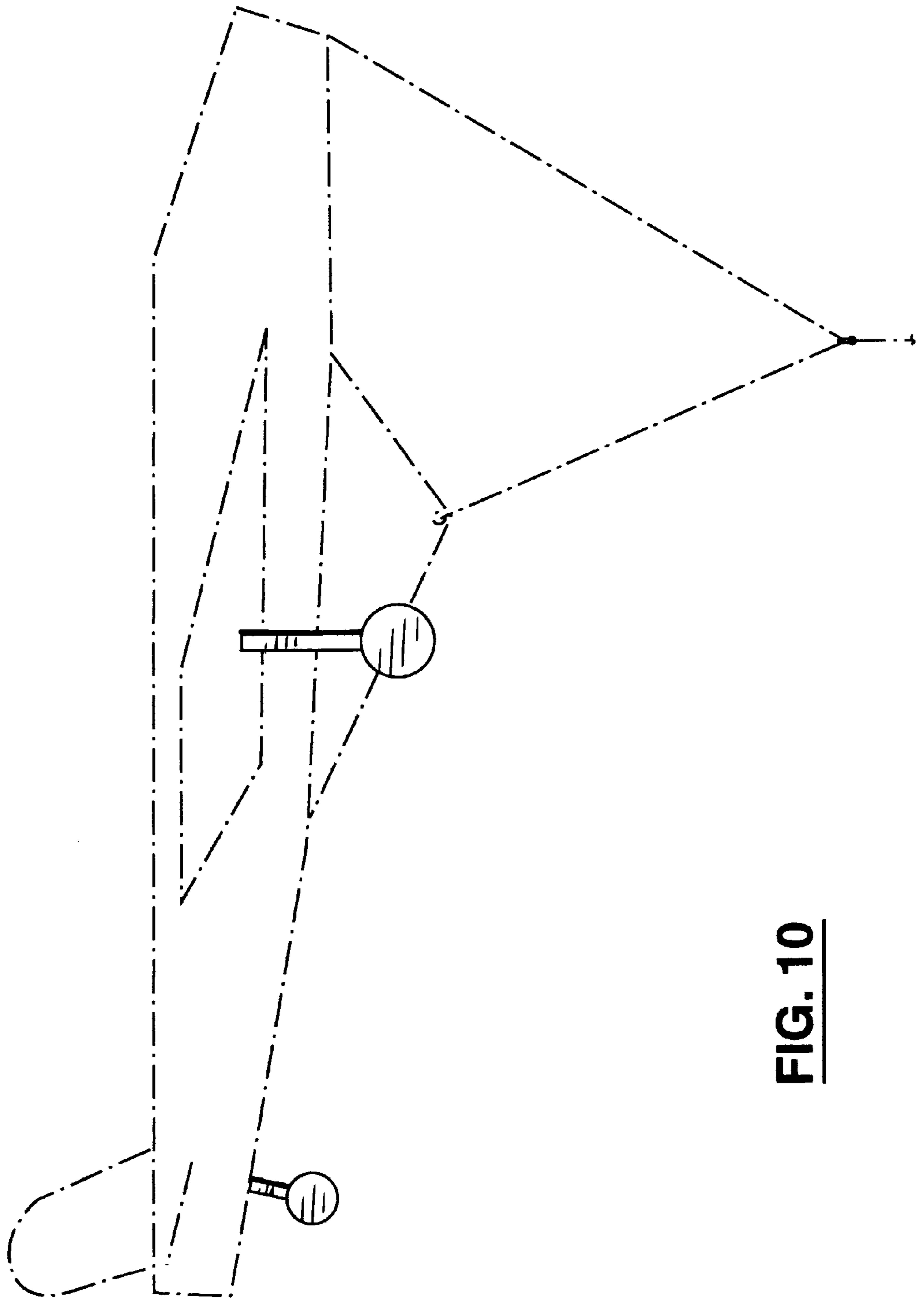


FIG. 10

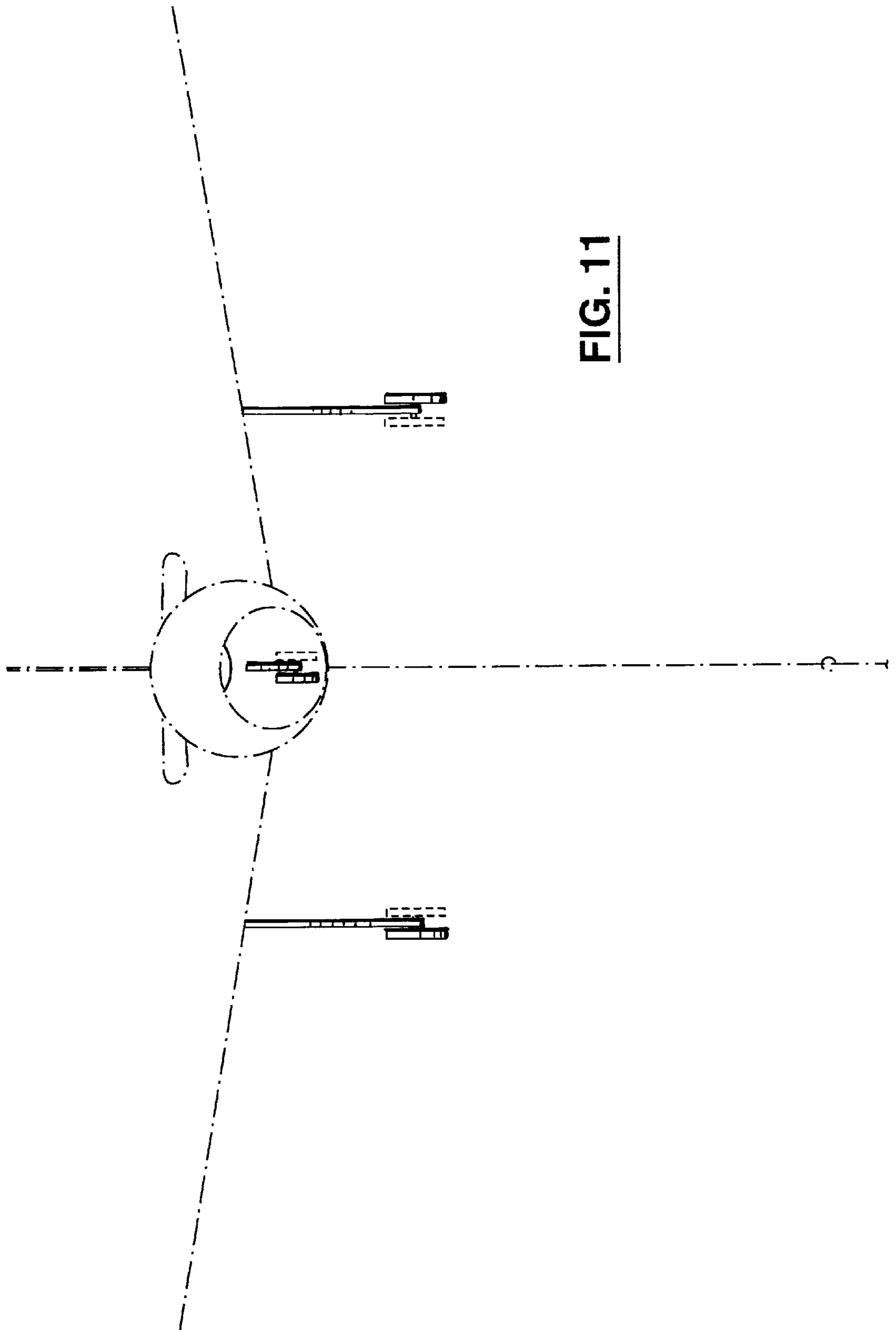


FIG. 11

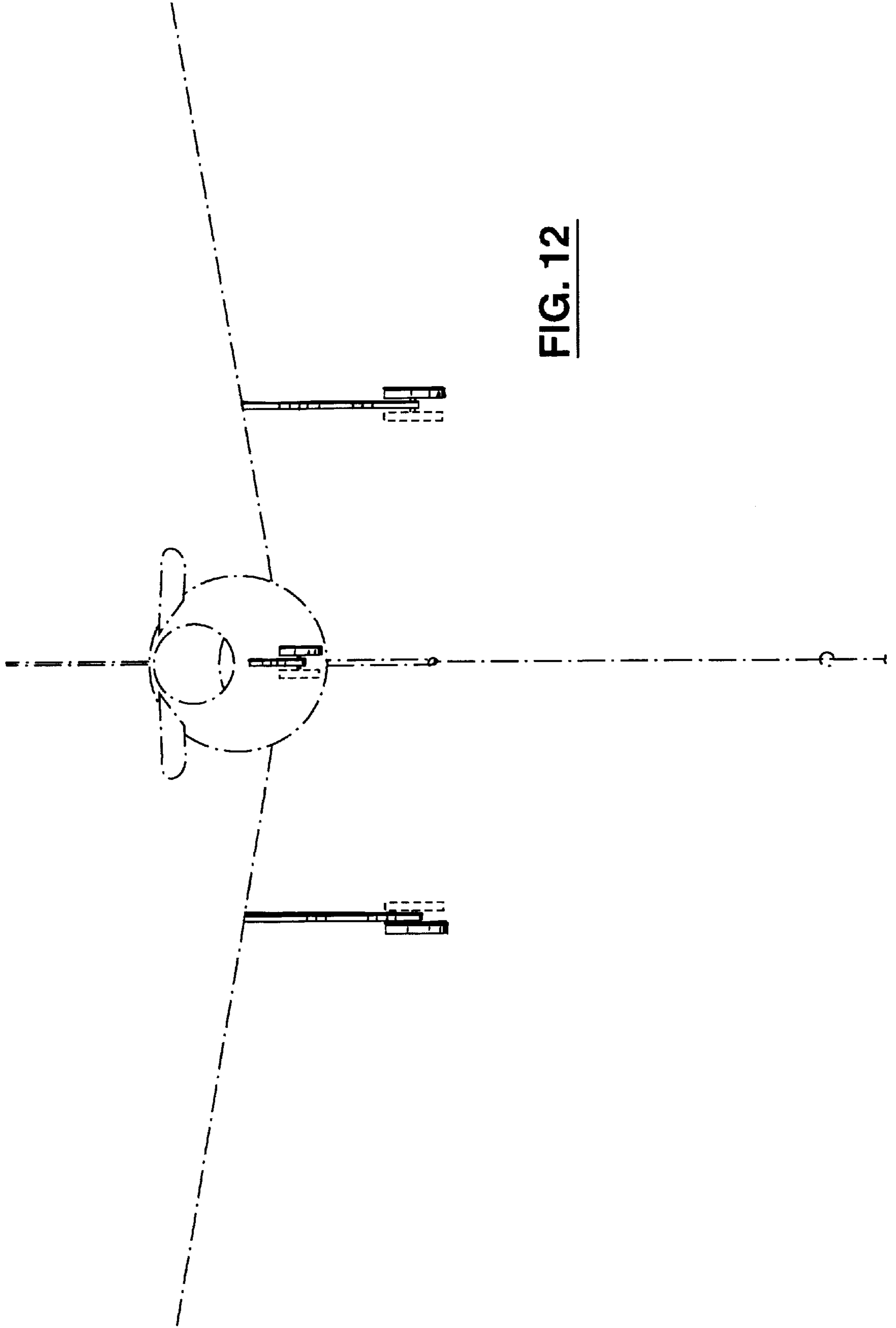


FIG. 12

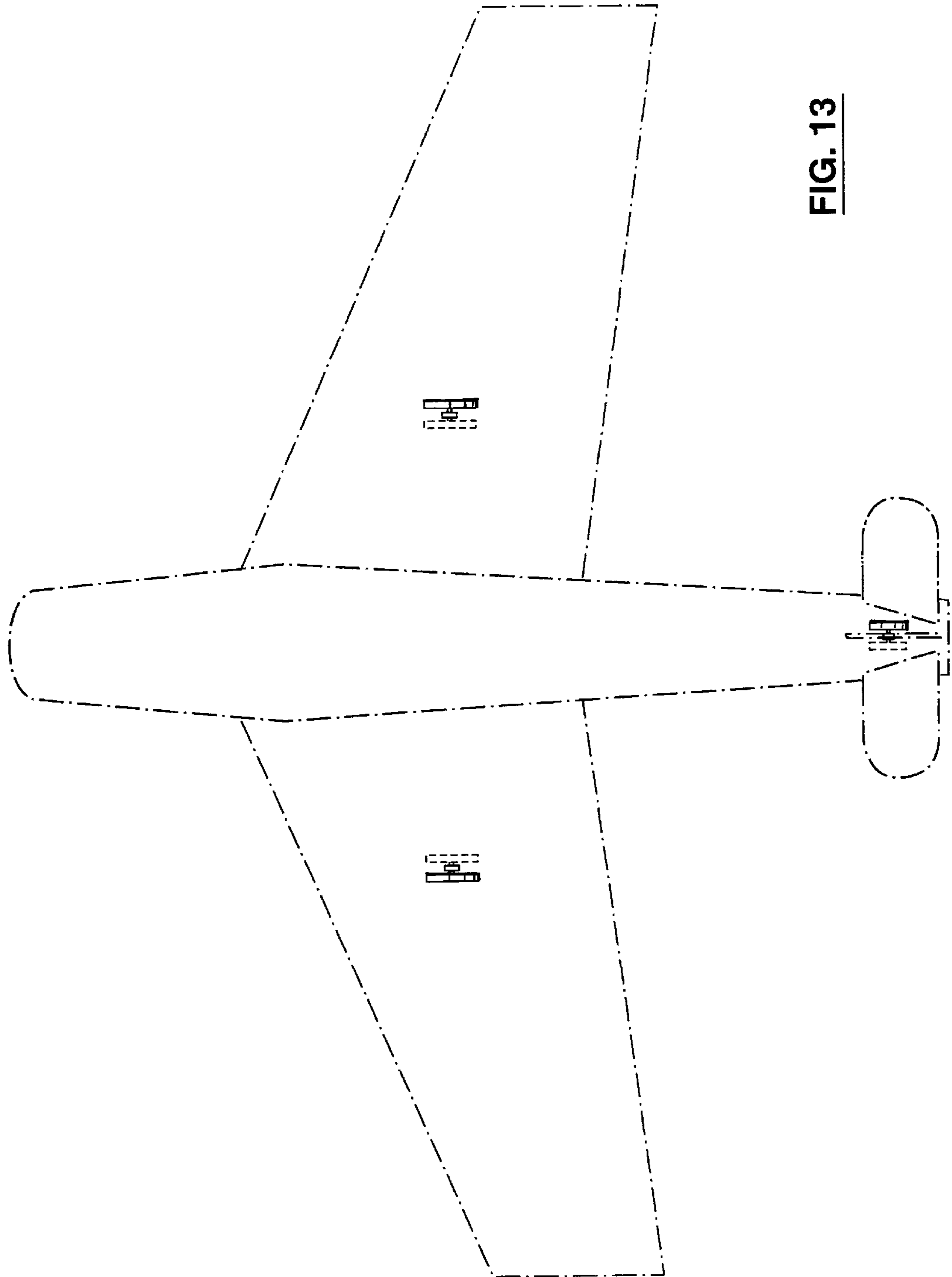


FIG. 13

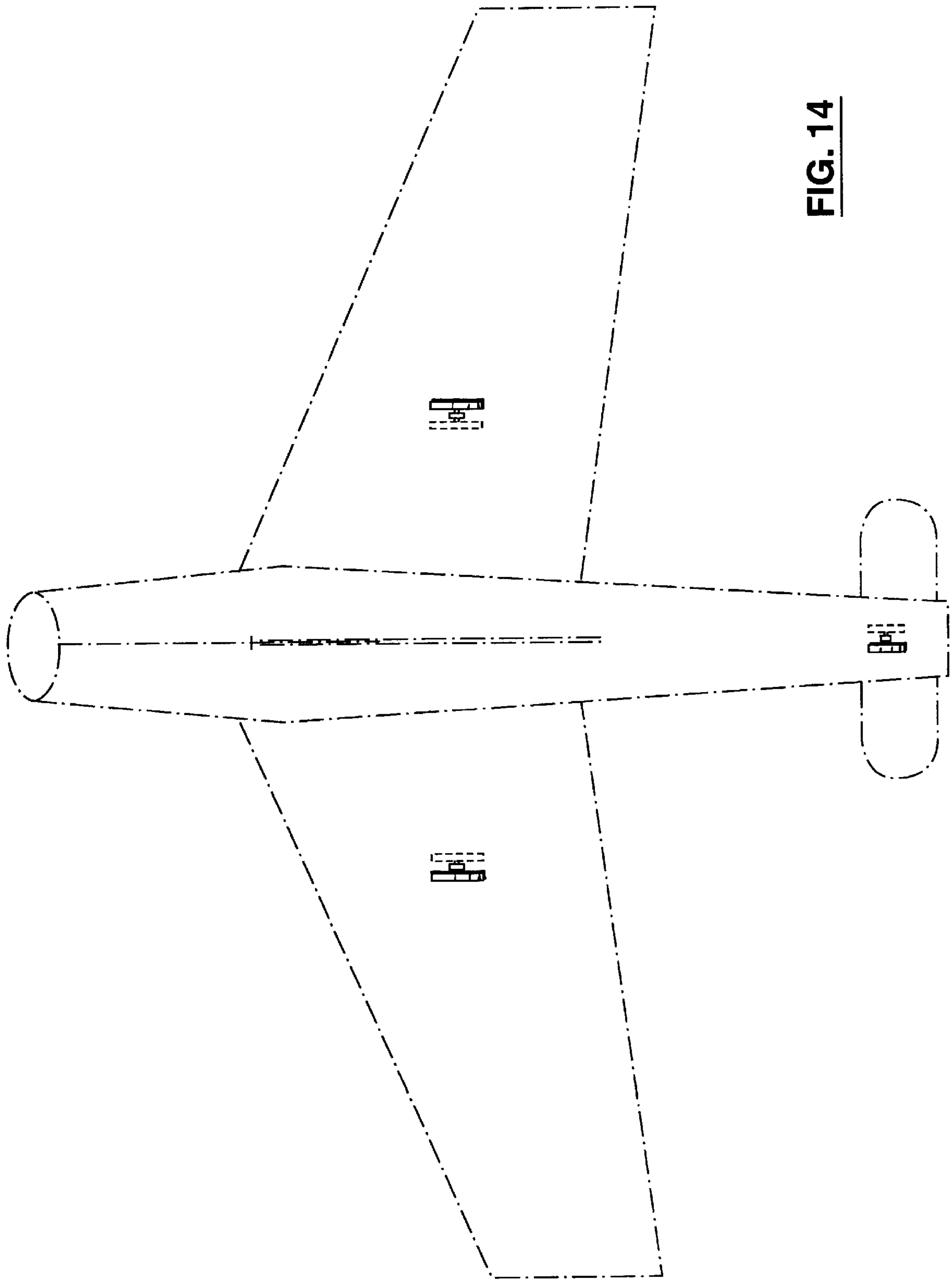


FIG. 14