



US00D459409S

(12) **United States Design Patent**
Wang

(10) **Patent No.:** **US D459,409 S**

(45) **Date of Patent:** **** Jun. 25, 2002**

(54) **KITE**

D443,902 S * 6/2001 Wang D21/445

(75) **Inventor:** **Jung-Yuan (Jay) Wang**, Mississauga (CA)

(73) **Assignee:** **Itemax International, Inc.**, Mississauga (CA)

(**) **Term:** **14 Years**

(21) **Appl. No.:** **29/142,772**

(22) **Filed:** **Jun. 4, 2001**

(51) **LOC (7) Cl.** **21-02**

(52) **U.S. Cl.** **D21/446**

(58) **Field of Search** D21/443, 445, D21/446; 244/153 R, 154, 155, 153 A

(56) **References Cited**

U.S. PATENT DOCUMENTS

1,546,099 A	7/1925	Meyers	
2,124,992 A	7/1938	Wood	244/154
D168,383 S	12/1952	Smith	D21/445
D223,716 S	5/1972	Choong	D21/445
D407,126 S	3/1999	Wang	D21/445
D428,071 S	7/2000	Wang	D21/453
D428,072 S	7/2000	Wang	D21/453
D428,451 S	7/2000	Wang	D21/453
D432,187 S	10/2000	Wang	D21/445

OTHER PUBLICATIONS

Gayla Industries Inc Catalogue, p. 5.
3 photographs of Helicopter Kite by "go fly a kite".
Top Of The Line, Inc., Max-force Nylon Quality Fabric, 1999.

* cited by examiner

Primary Examiner—Dominic Simone

(74) *Attorney, Agent, or Firm*—Bereskin & Parr

(57) **CLAIM**

The ornamental Design for kite, as shown.

DESCRIPTION

FIG. 1 is a top, front isometric view of a kite showing my new design;

FIG. 2 is a right side elevational view thereof;

FIG. 3 is a left side elevational view thereof;

FIG. 4 is a front elevational view thereof;

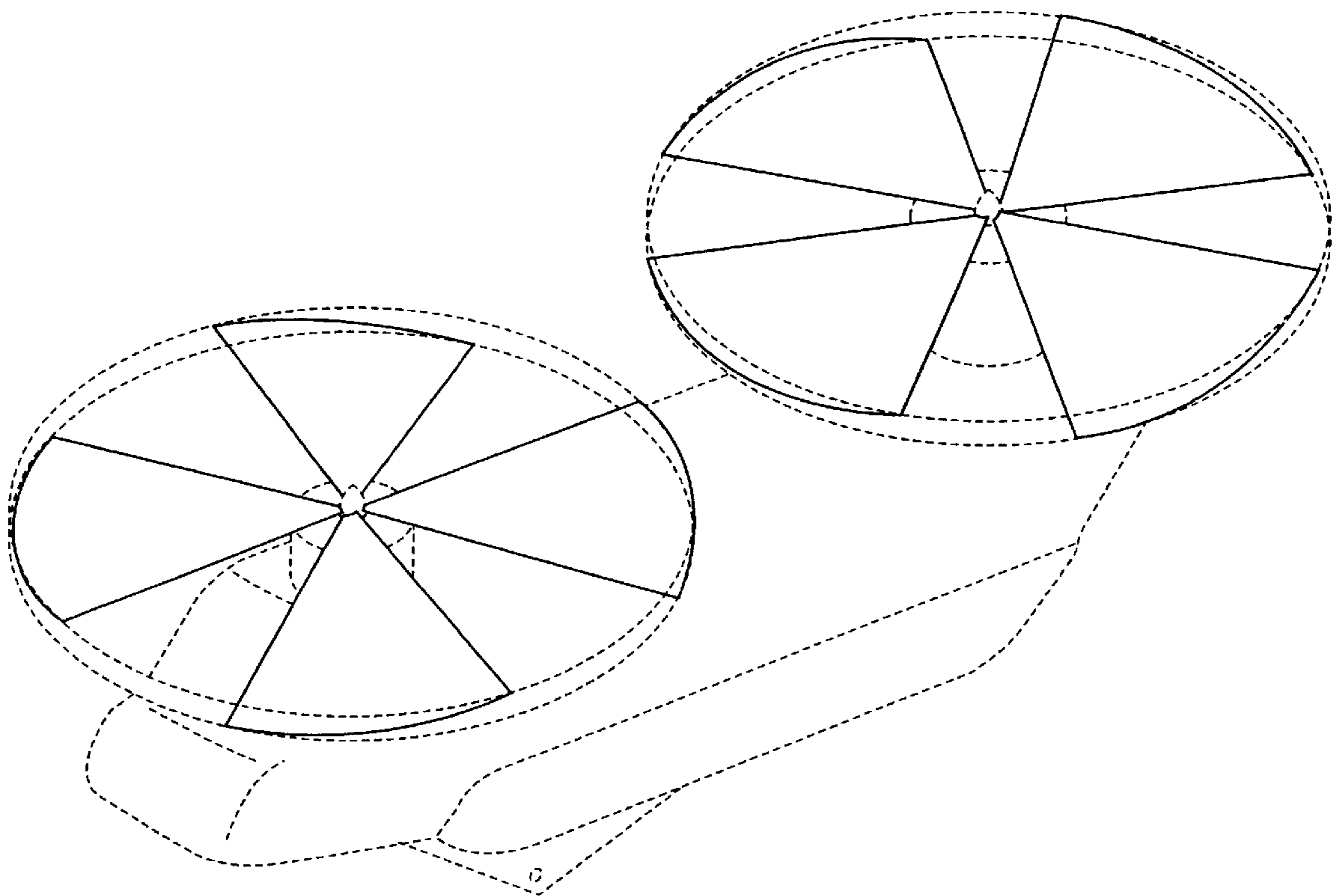
FIG. 5 is a rear elevational view thereof;

FIG. 6 is a top plan view thereof; and,

FIG. 7 is a bottom plan view thereof.

The portion of the kite shown in single broken lines is for environment only and forms no part of the claimed design.

1 Claim, 5 Drawing Sheets



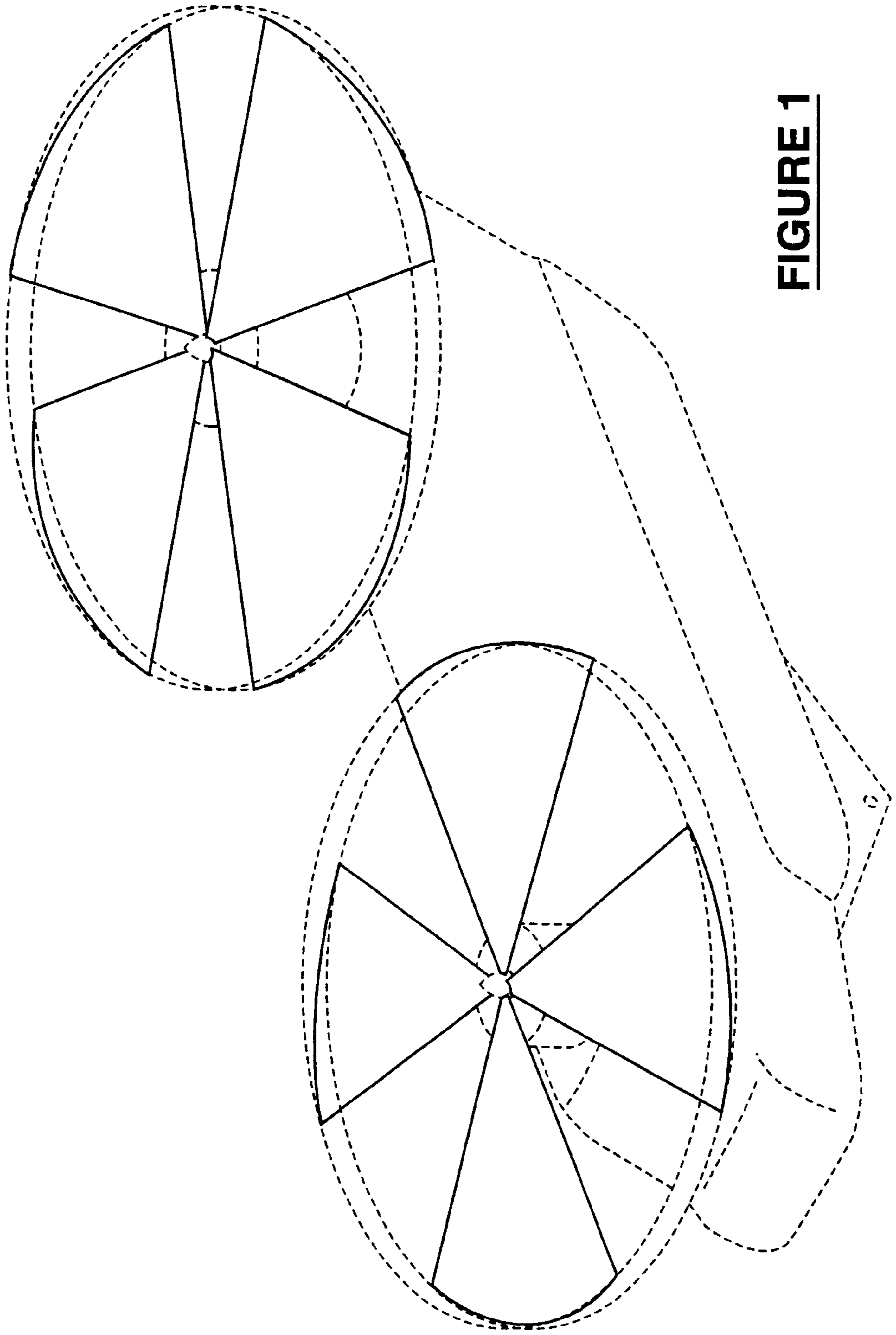
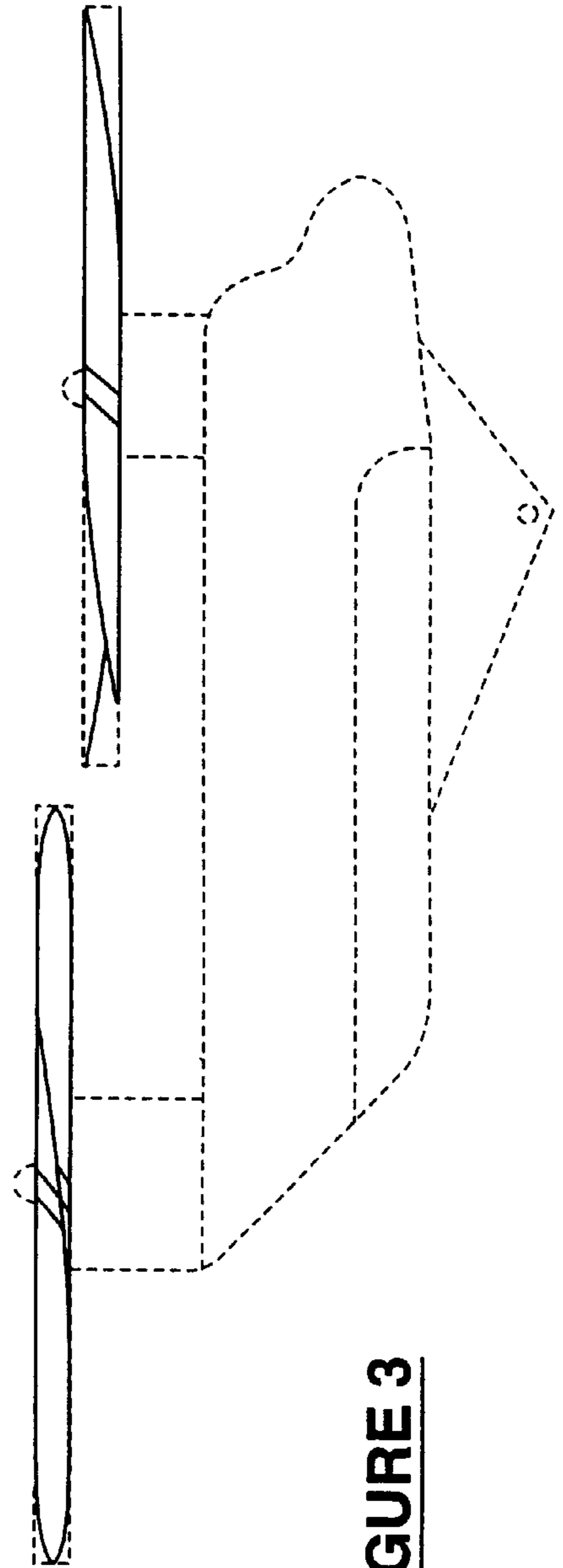
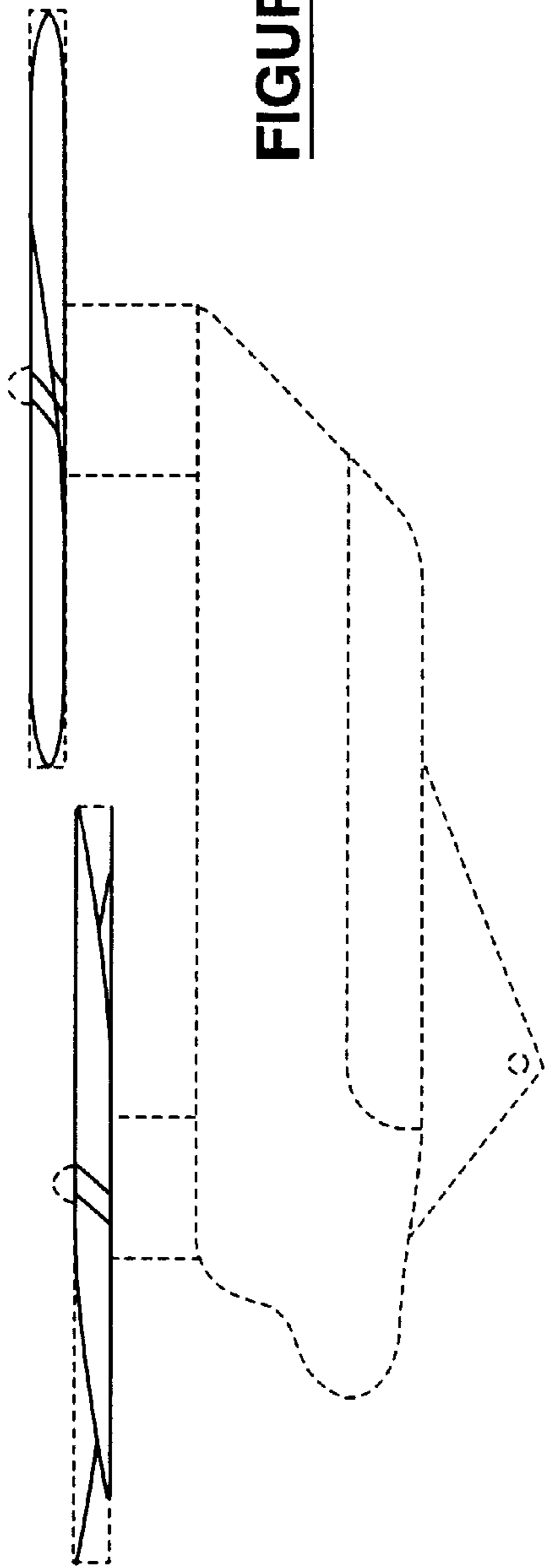


FIGURE 1



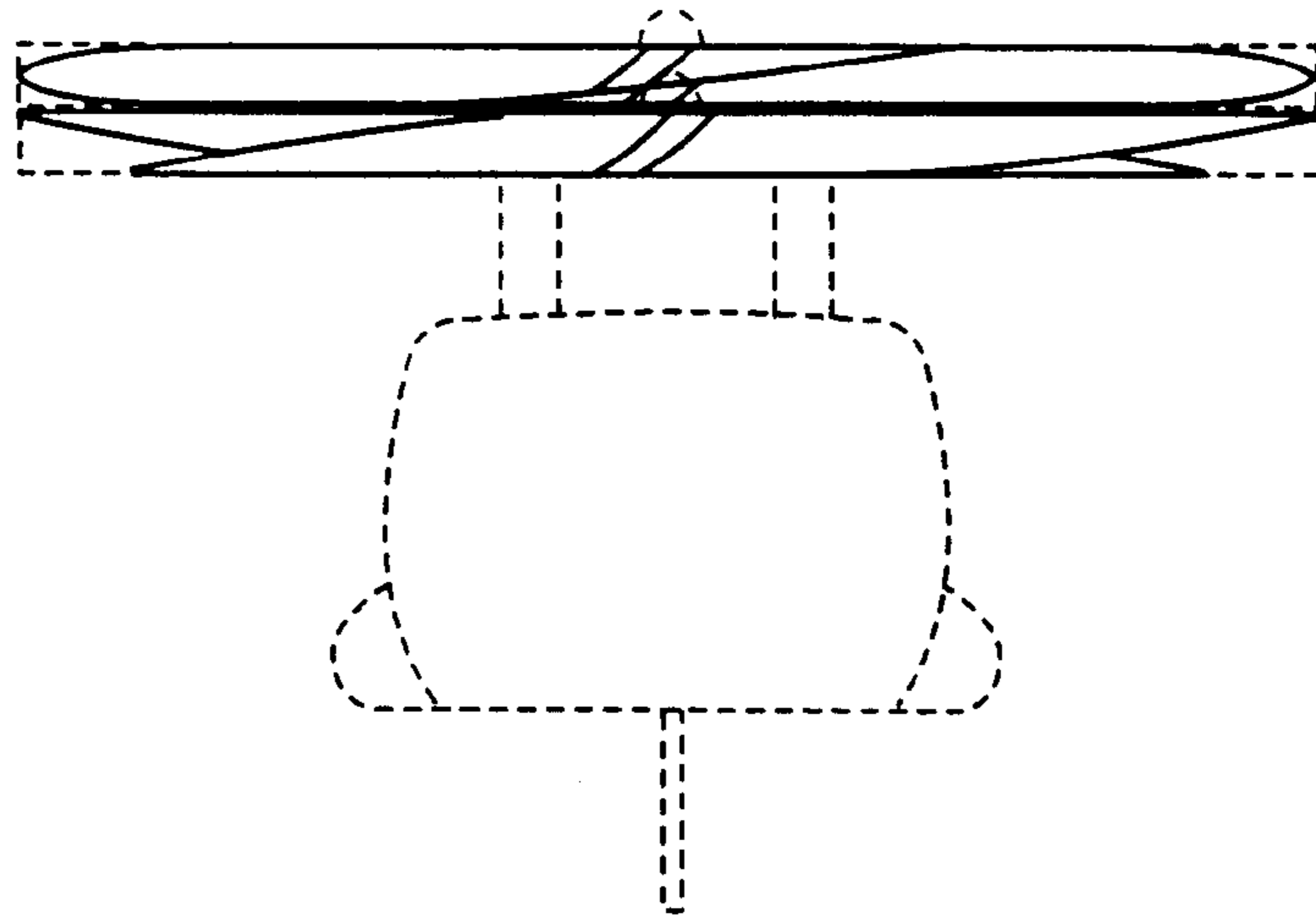


FIGURE 4

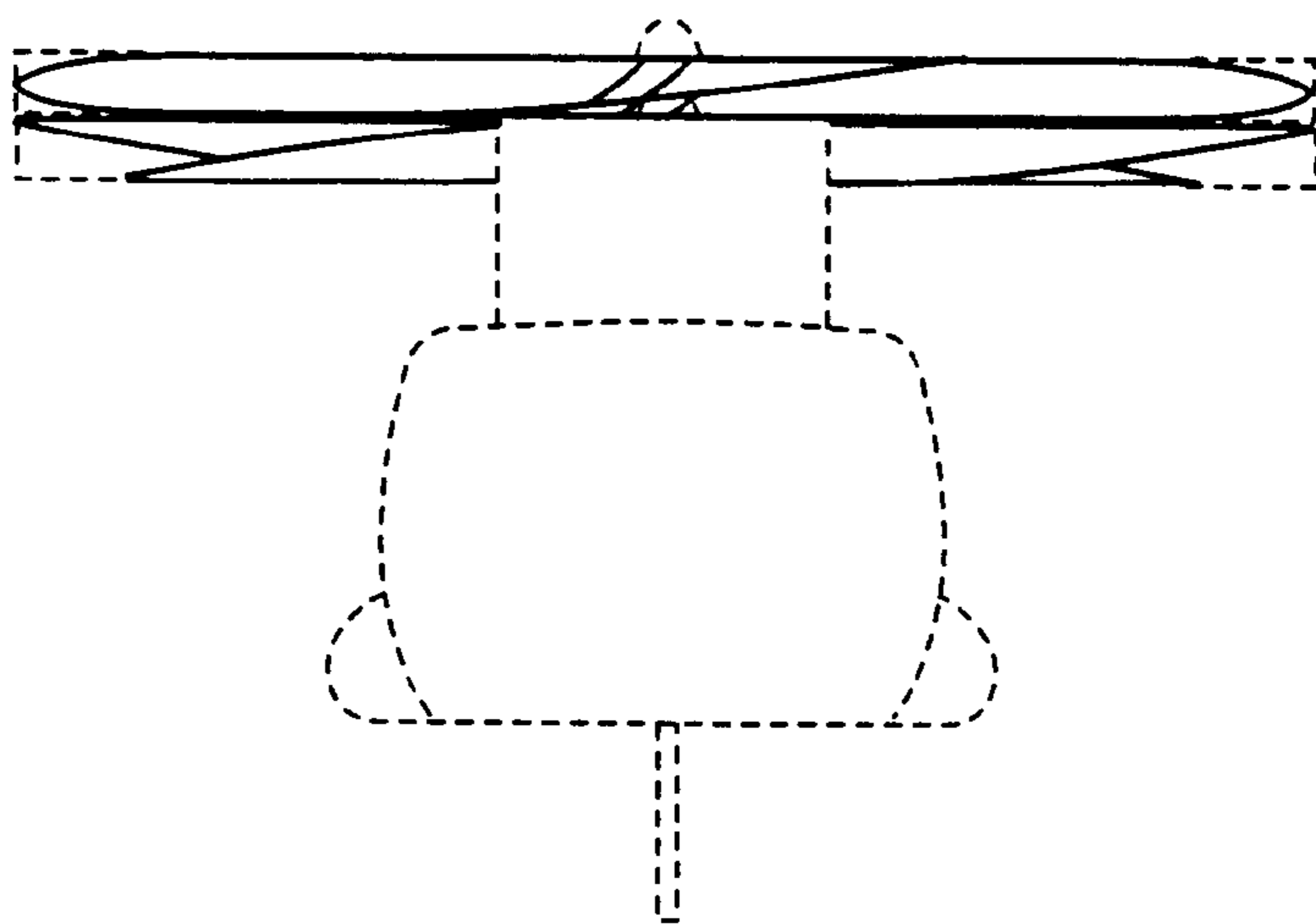


FIGURE 5

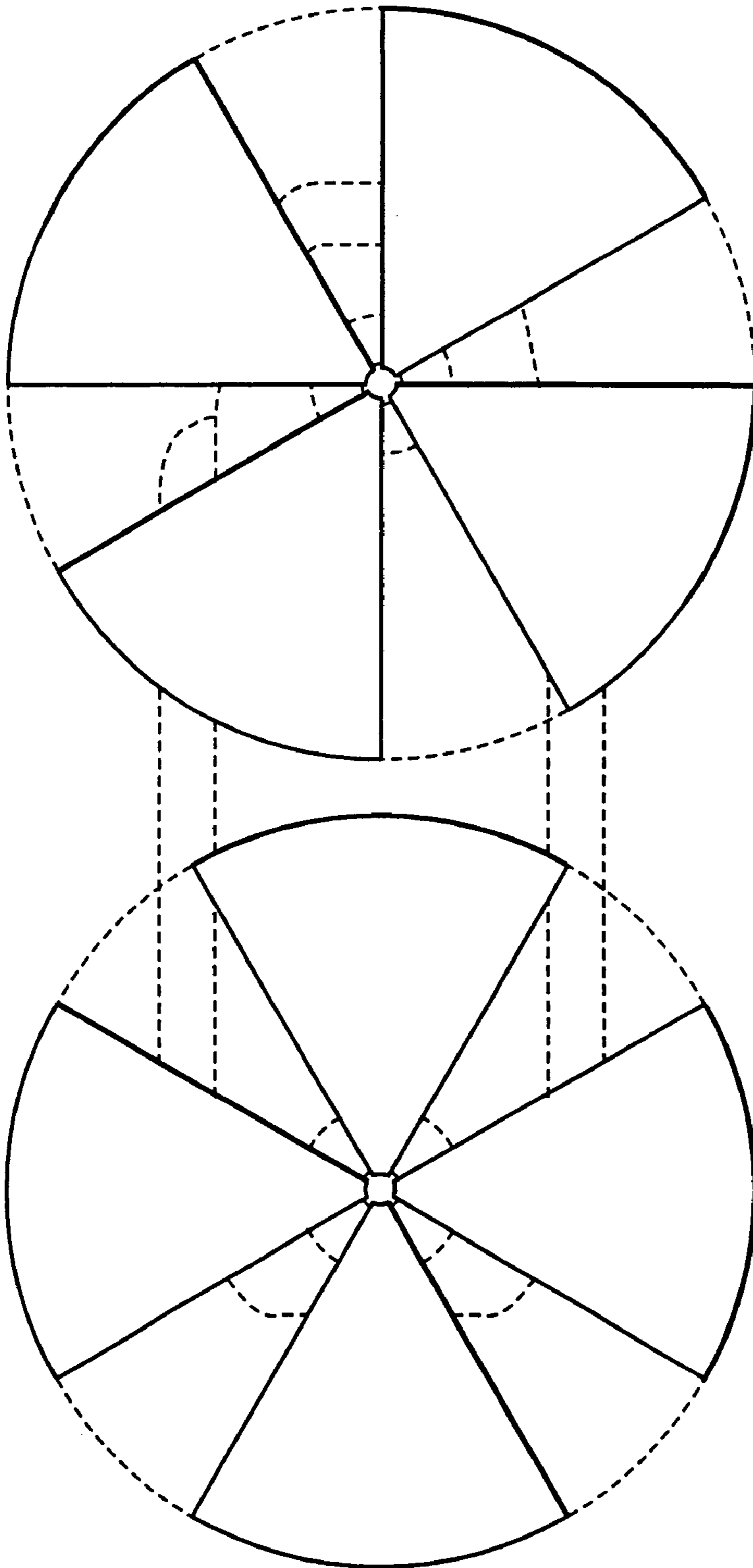


FIGURE 6

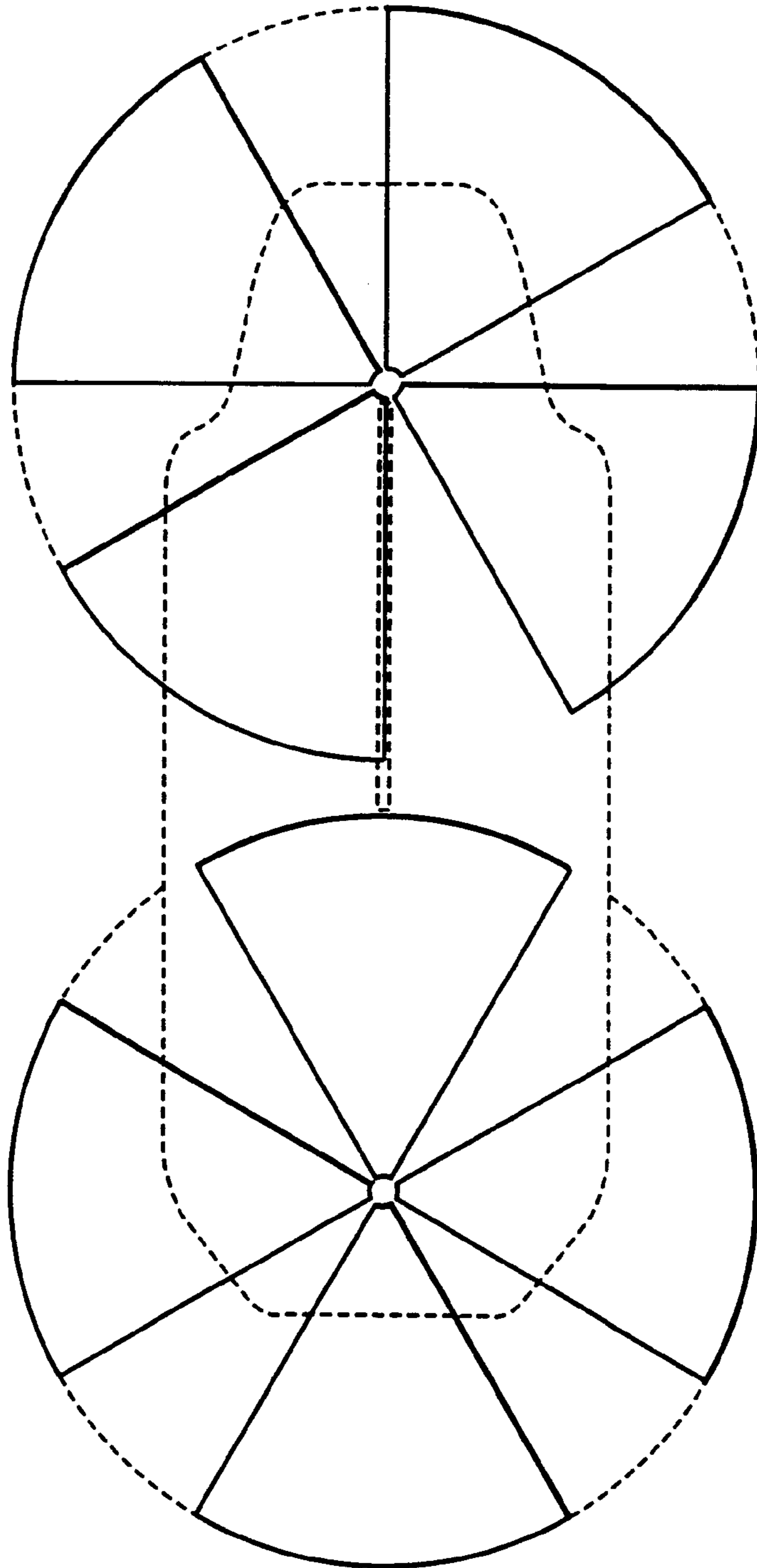


FIGURE 7