



US00D459407S

(12) **United States Design Patent**  
**Wang**

(10) **Patent No.:** **US D459,407 S**

(45) **Date of Patent:** **\*\* Jun. 25, 2002**

- (54) **KITE**
- (75) **Inventor:** **Jung-Yuan (Jay) Wang**, Mississauga (CA)
- (73) **Assignee:** **Itemax International, Inc.**, Mississauga (CA)
- (\*\*) **Term:** **14 Years**
- (21) **Appl. No.:** **29/144,238**
- (22) **Filed:** **Jun. 29, 2001**
- (51) **LOC (7) Cl.** ..... **21-02**
- (52) **U.S. Cl.** ..... **D21/445**
- (58) **Field of Search** ..... D21/443, 445, D21/446; 244/153 R, 154, 155, 153 A

D407,126 S	3/1999	Wang	.....	D21/445
D428,071 S	7/2000	Wang	.....	D21/453
D428,072 S	7/2000	Wang	.....	D21/453
D428,451 S	7/2000	Wang	.....	D21/453
D432,187 S	10/2000	Wang	.....	D21/445
D443,902 S	* 6/2001	Wang	.....	D21/445

**OTHER PUBLICATIONS**

Top Of The Line, Inc., Max-force Nylon Quality Fabric, 1999.

\* cited by examiner

*Primary Examiner*—Dominic Simone

(74) *Attorney, Agent, or Firm*—Bereskin & Parr

(57) **CLAIM**

The ornamental design for a kite, as shown.

**DESCRIPTION**

FIG. 1 is an isometric view from the front and underside of the new design;

FIG. 2 is a right side elevation view thereof;

FIG. 3 is a left side elevation view thereof;

FIG. 4 is a front elevation view thereof;

FIG. 5 is a rear elevation view thereof;

FIG. 6 is a top plan view thereof; and,

FIG. 7 is a bottom plan view thereof.

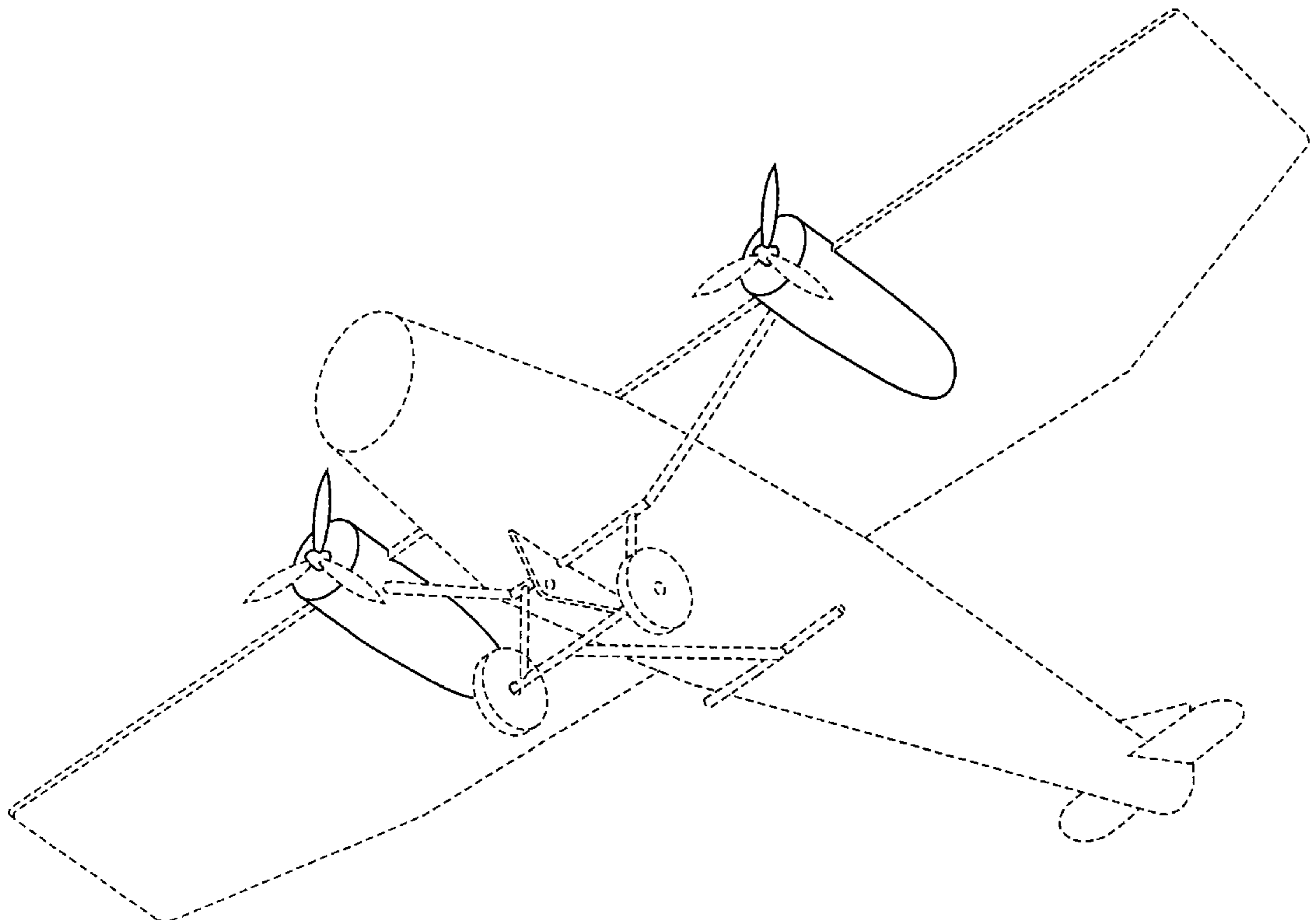
The portion of the kite shown in dashed lines is for environment only, and forms no part of the claimed design.

(56) **References Cited**

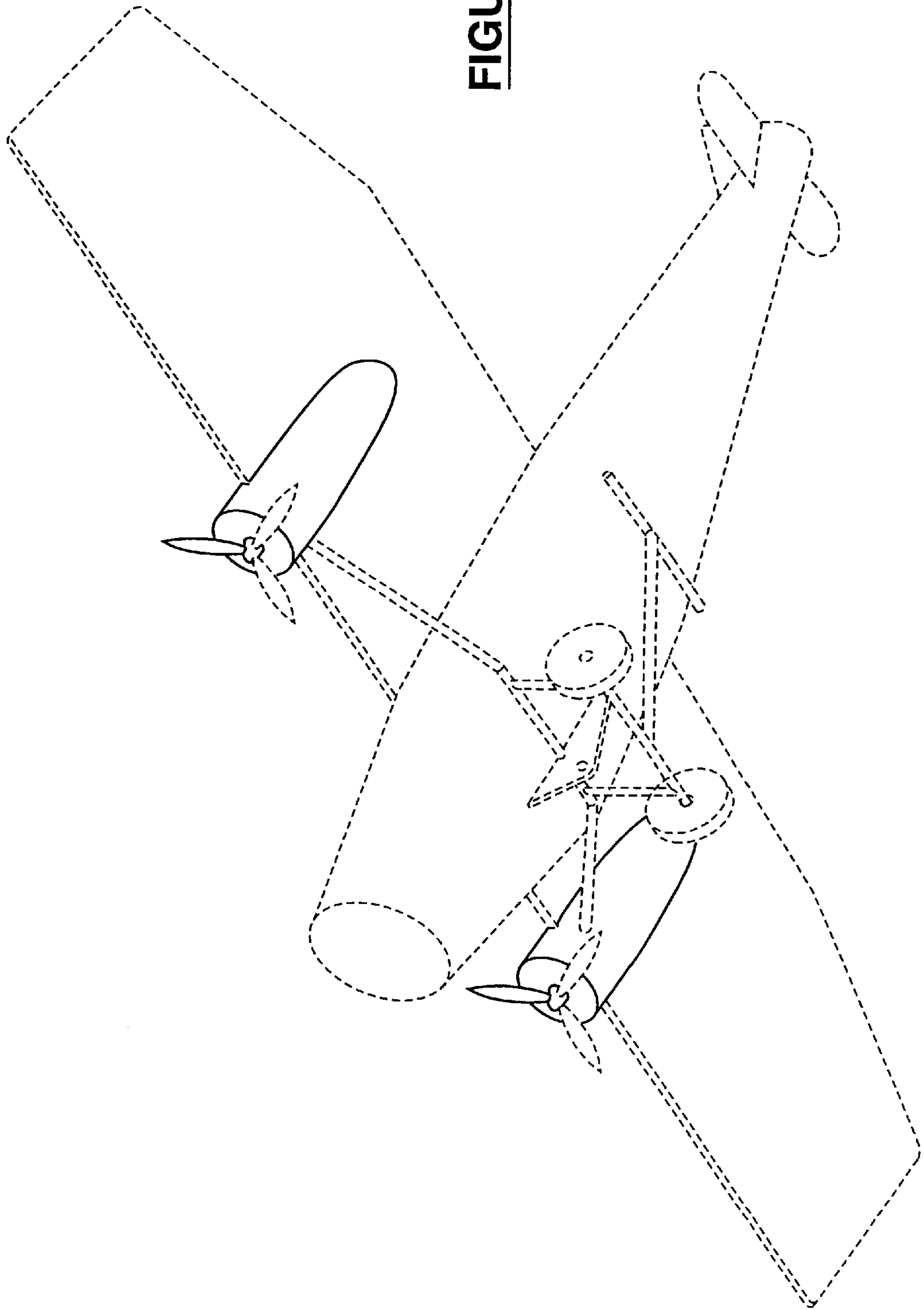
**U.S. PATENT DOCUMENTS**

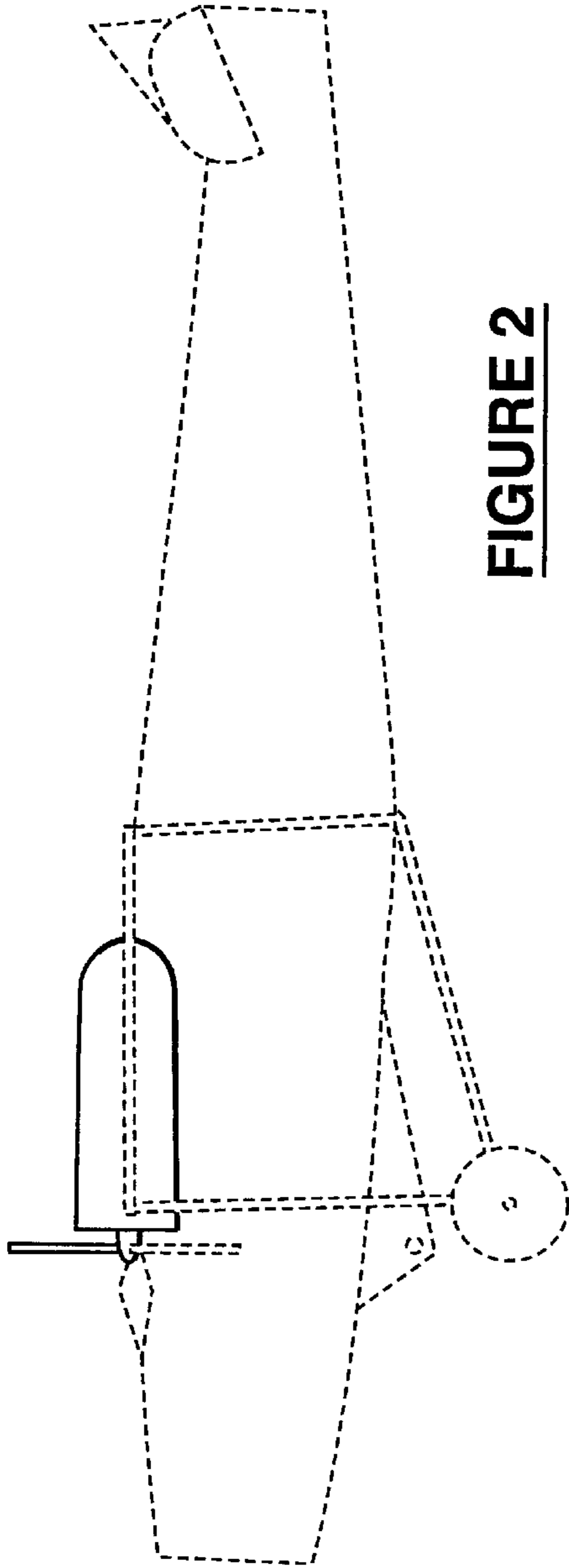
D57,437 S	3/1921	Keller	
1,546,099 A	7/1925	Meyers	
D95,101 S	4/1935	Williams	
2,124,992 A	7/1938	Wood	..... 244/154
D168,383 S	12/1952	Smith	..... D21/445
3,001,747 A	9/1961	Hockett	..... 244/154
D204,611 S	5/1966	Ventre	..... D21/445
D223,716 S	5/1972	Choong	..... D21/445
D242,375 S	11/1976	Barrett	
D246,736 S	12/1977	Barrett et al.	
4,830,313 A	5/1989	Cheng	

**1 Claim, 6 Drawing Sheets**

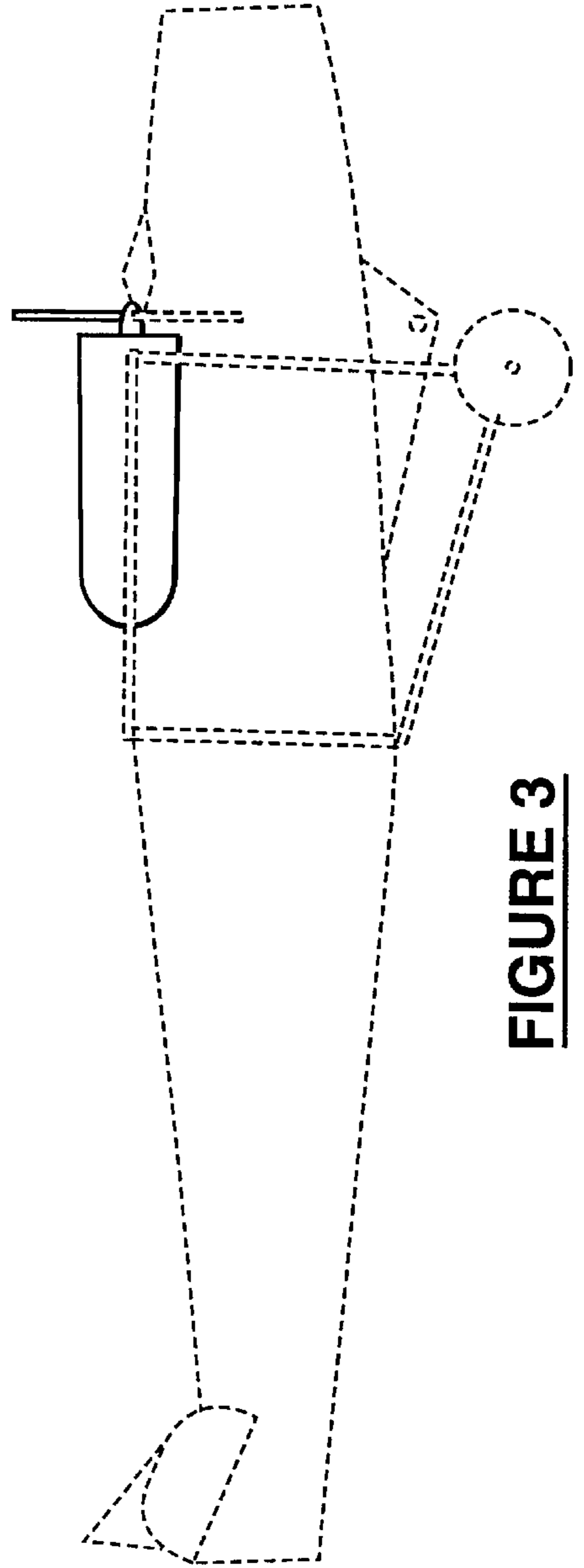


**FIGURE 1**

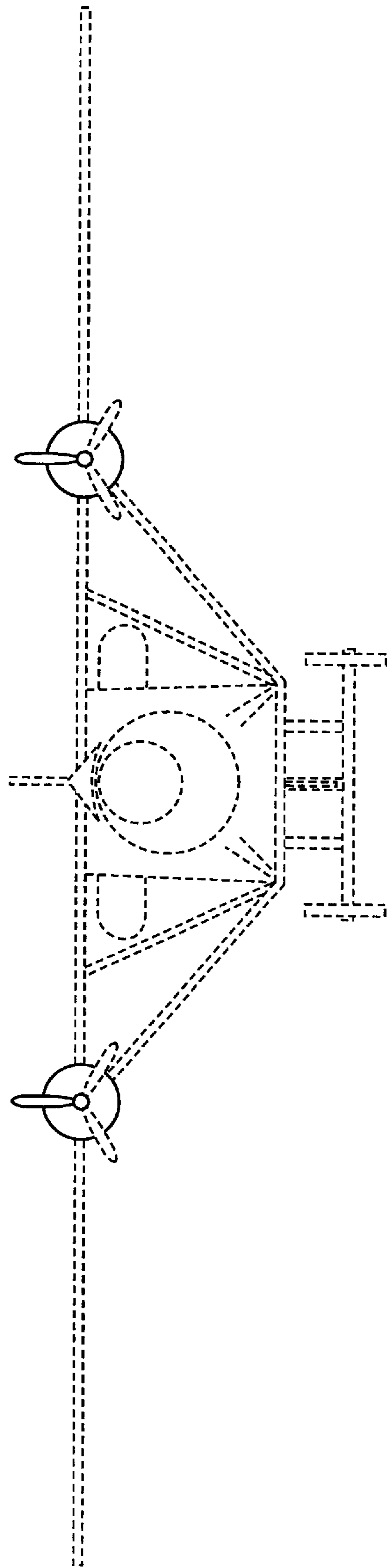




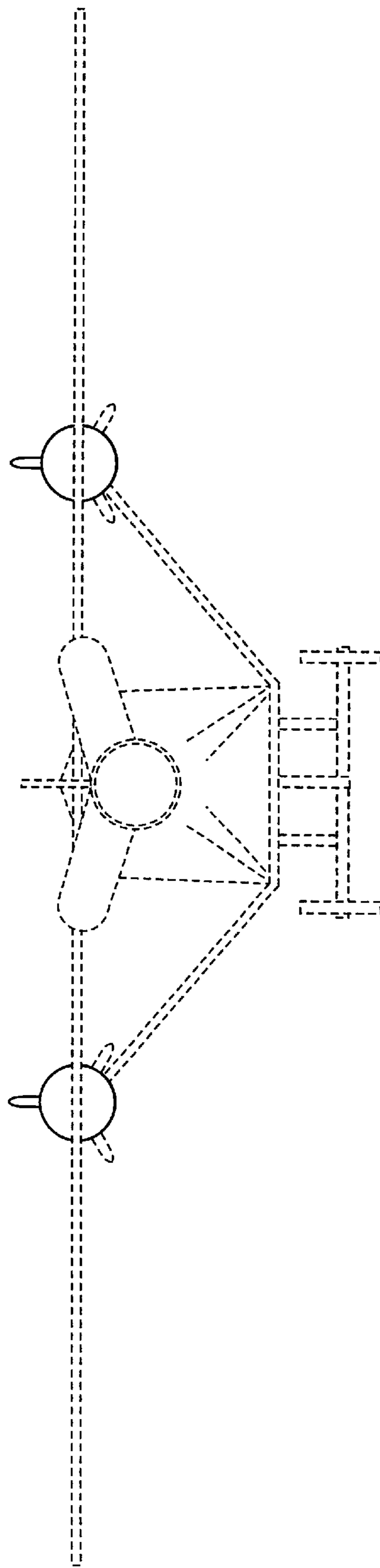
**FIGURE 2**



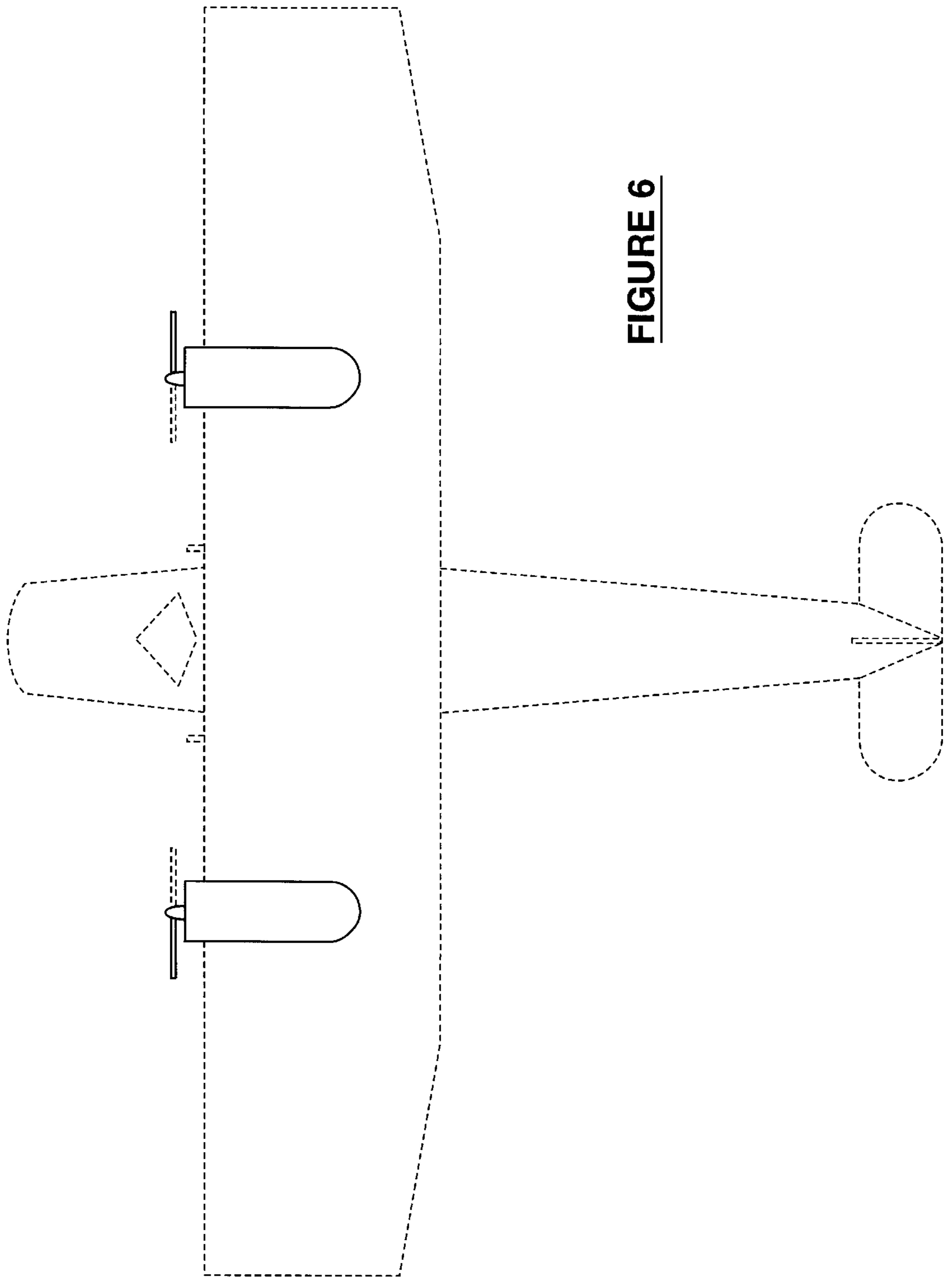
**FIGURE 3**



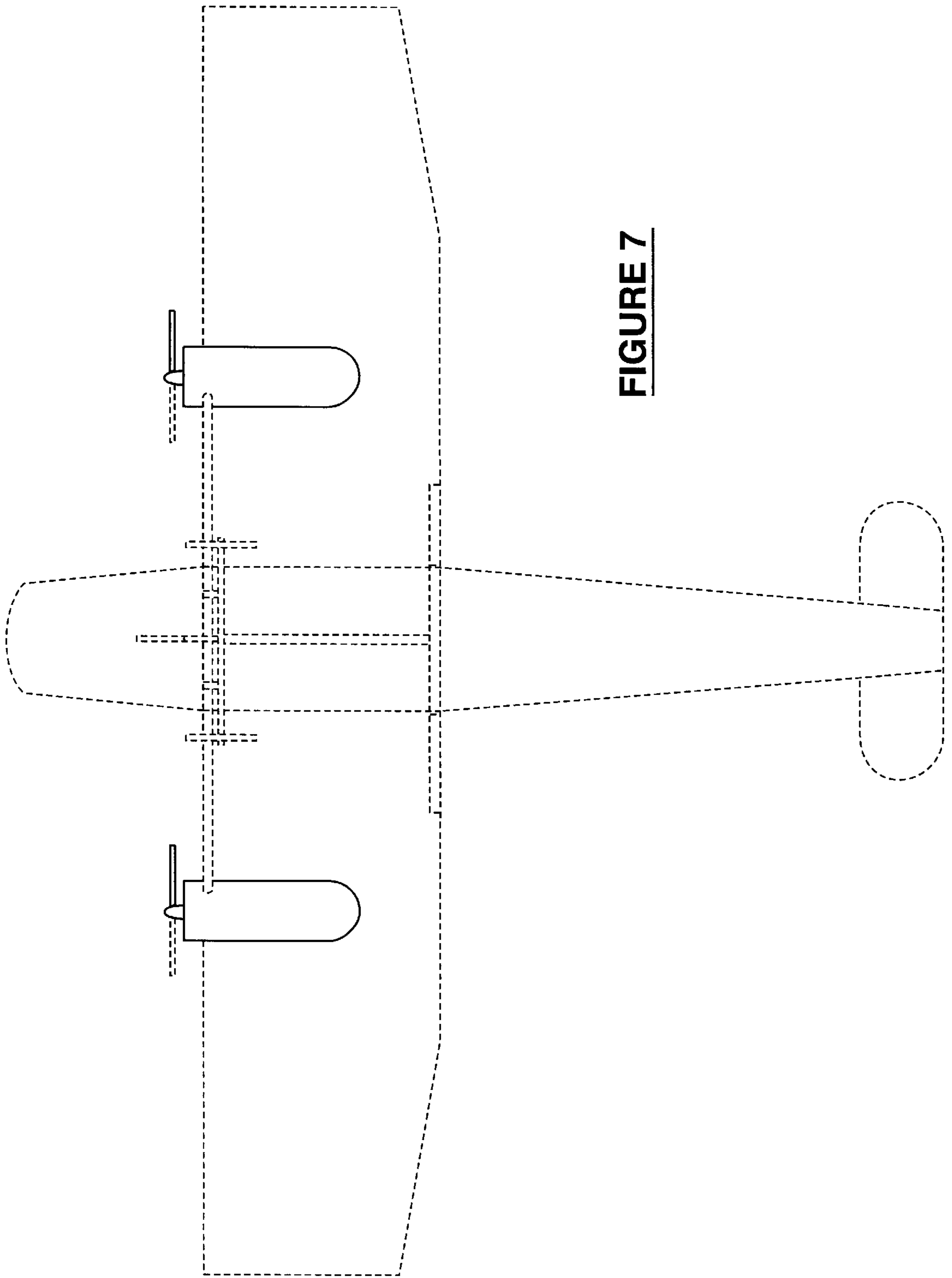
**FIGURE 4**



**FIGURE 5**



**FIGURE 6**



**FIGURE 7**