



US00D459403S

(12) **United States Design Patent**  
**Lynch**

(10) **Patent No.:** **US D459,403 S**

(45) **Date of Patent:** **\*\* Jun. 25, 2002**

(54) **GAMING APPARATUS**

(75) **Inventor:** **Daniel Anthony Lynch, Cardiff (GB)**

(73) **Assignee:** **Coinmaster Gaming Limited, Cardiff (GB)**

(\*\*) **Term:** **14 Years**

(21) **Appl. No.:** **29/144,976**

(22) **Filed:** **Jul. 13, 2001**

(30) **Foreign Application Priority Data**

Jan. 15, 2001 (GB) ..... 2098775

(51) **LOC (7) Cl.** ..... **21-03**

(52) **U.S. Cl.** ..... **D21/369; D21/327**

(58) **Field of Search** ..... D21/324, 329,  
D21/332, 369-375; 273/138.1, 139, 142 B,  
142 R, 274, 292; 463/13, 16, 17, 34, 46,  
47

(56) **References Cited**

**U.S. PATENT DOCUMENTS**

4,614,342 A \* 9/1986 Takashima ..... 463/47  
D383,171 S \* 9/1997 Hanscom ..... D21/327

D397,161 S \* 8/1998 Hanscom et al. .... D21/369  
5,879,235 A \* 3/1999 Kaneko et al. .... 273/142 R  
D410,256 S \* 5/1999 Uehara et al. .... D21/327  
D415,211 S \* 10/1999 Yamaguchi ..... D21/327

\* cited by examiner

*Primary Examiner*—Sandra L. Morris

(74) *Attorney, Agent, or Firm*—Edwin D. Schindler

(57) **CLAIM**

The ornamental design for a gaming apparatus, as shown and described.

**DESCRIPTION**

FIG. 1 is an upper right-side perspective view of a gaming apparatus showing the present design;  
FIG. 2 is a front elevational view of the gaming apparatus of FIG. 1;  
FIG. 3 is a left-side elevational view of the gaming apparatus of FIG. 1;  
FIG. 4 is a top plan view of the gaming apparatus of FIG. 1;  
FIG. 5 is a lower left-side perspective view of the gaming apparatus of FIG. 1; and,  
FIG. 6 is a right-side elevational view of the gaming apparatus of FIG. 1.

**1 Claim, 6 Drawing Sheets**

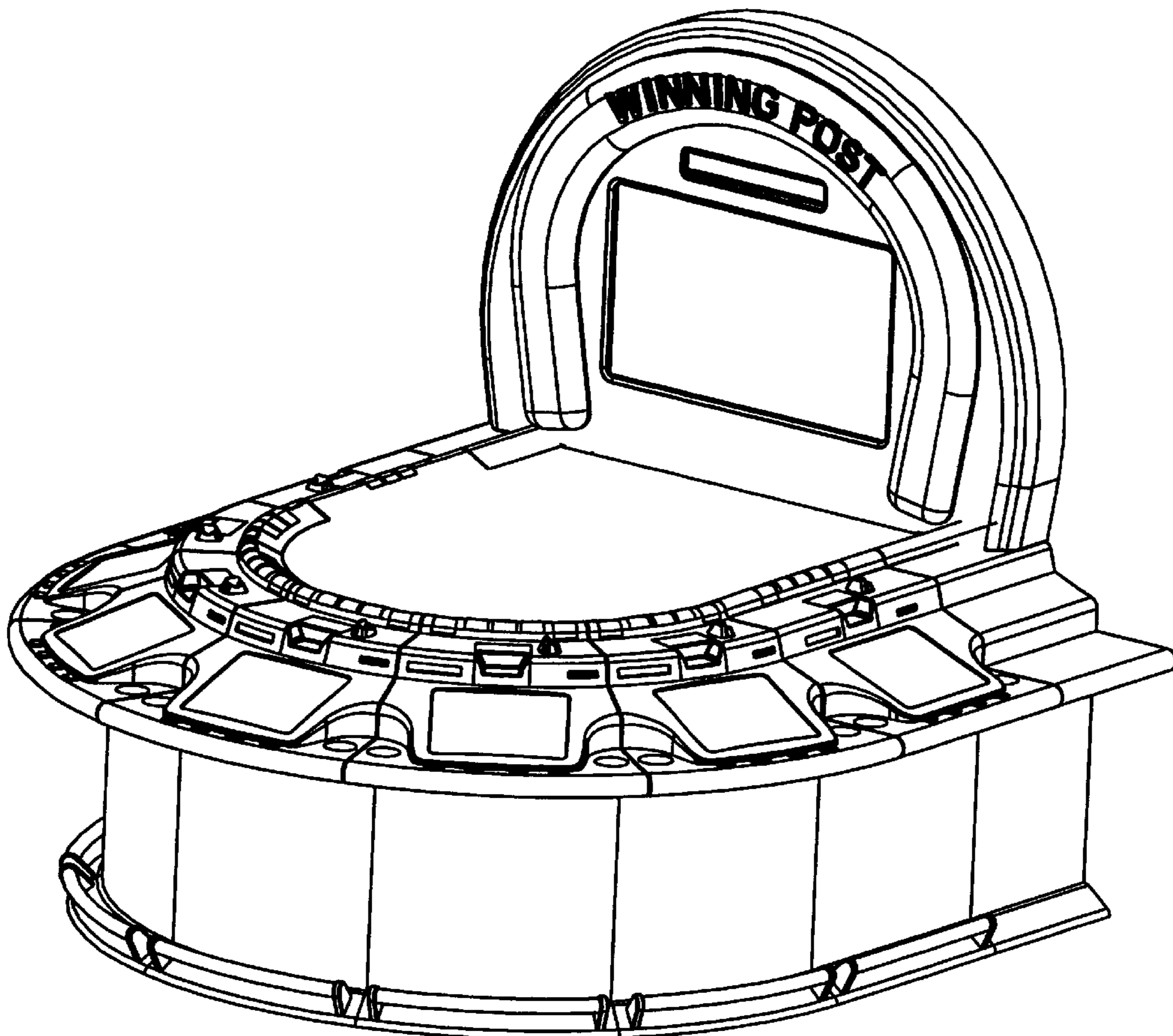


FIG. 1

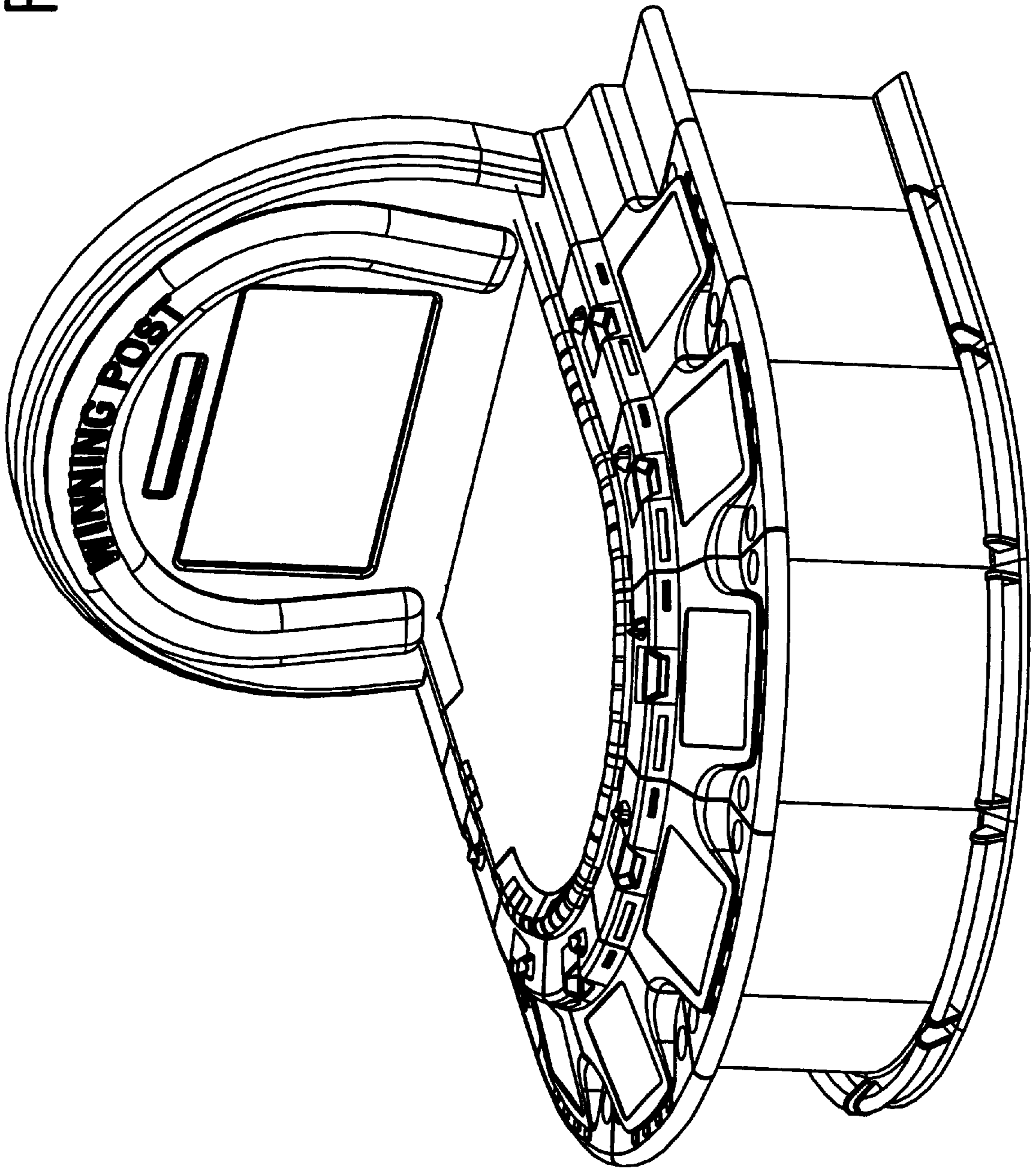


FIG. 2

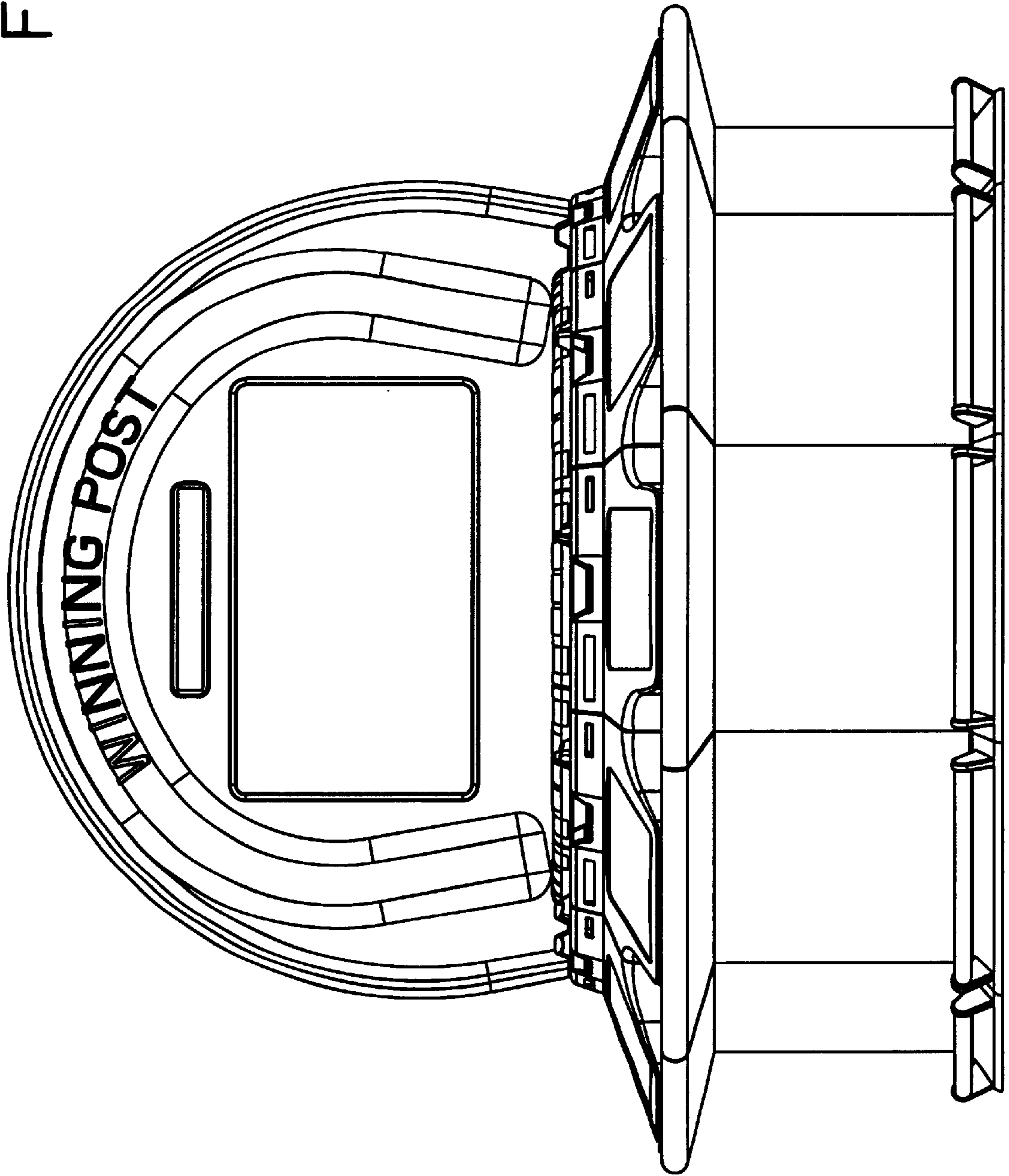
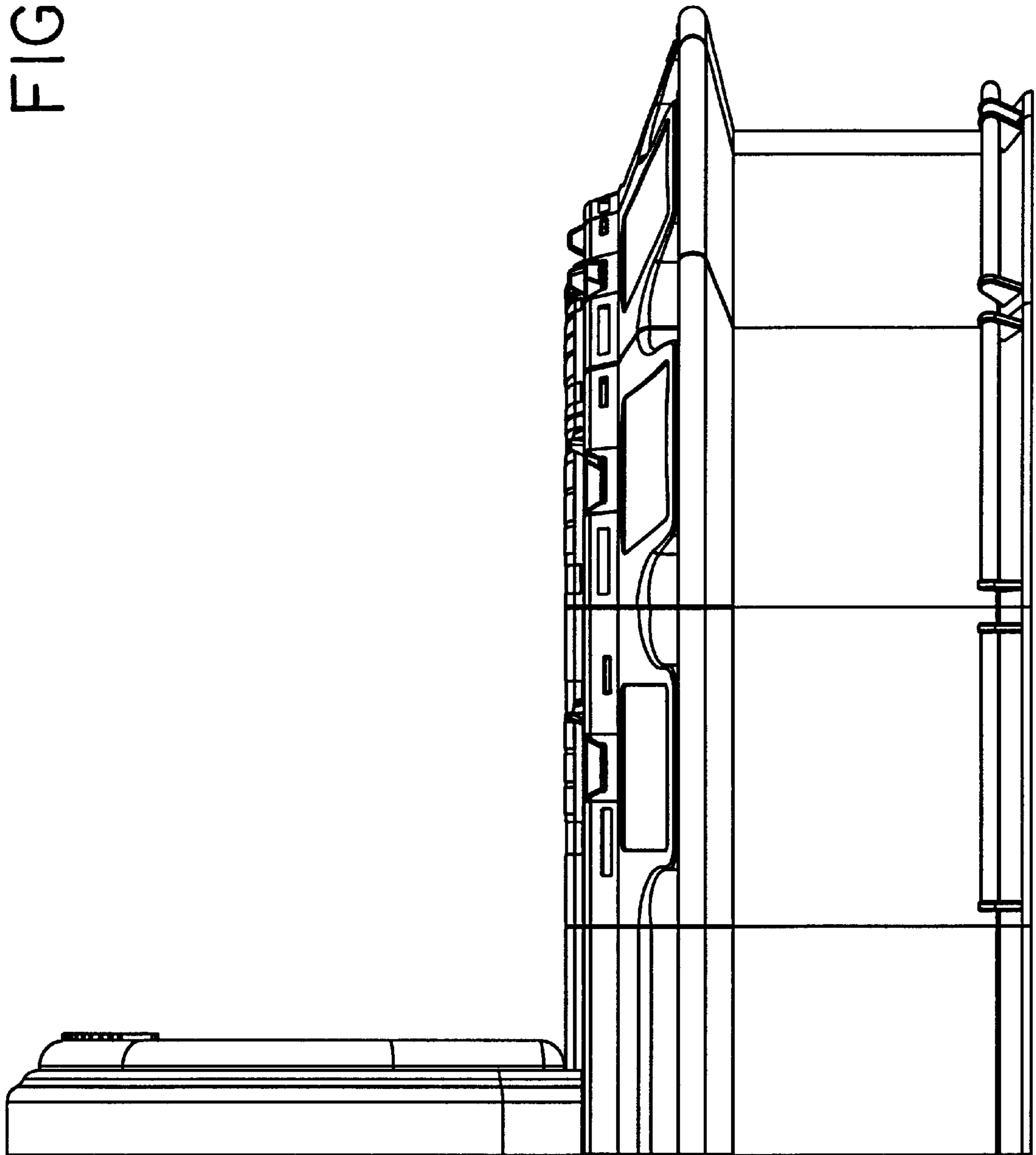


FIG. 3



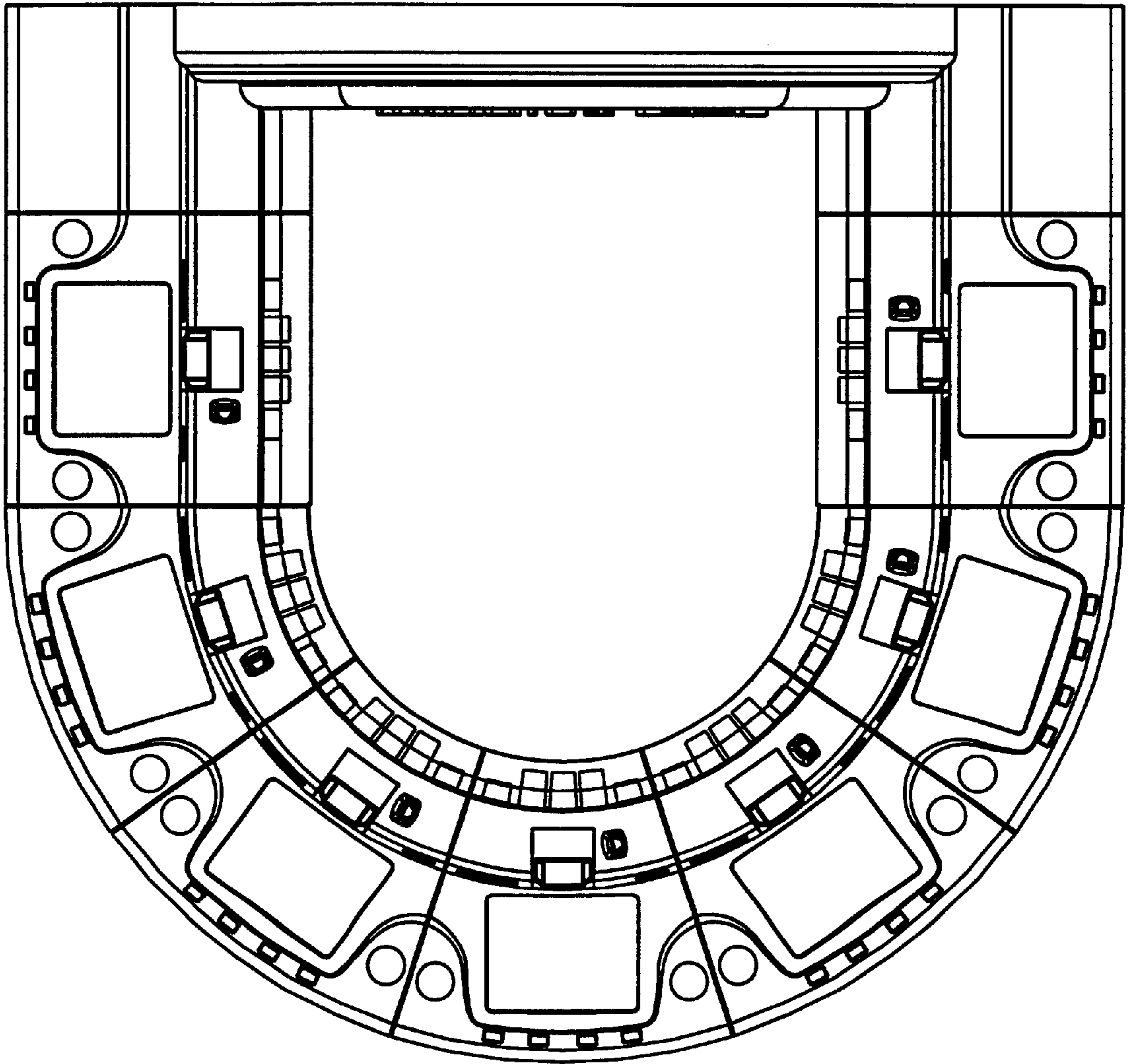


FIG. 4

FIG. 5

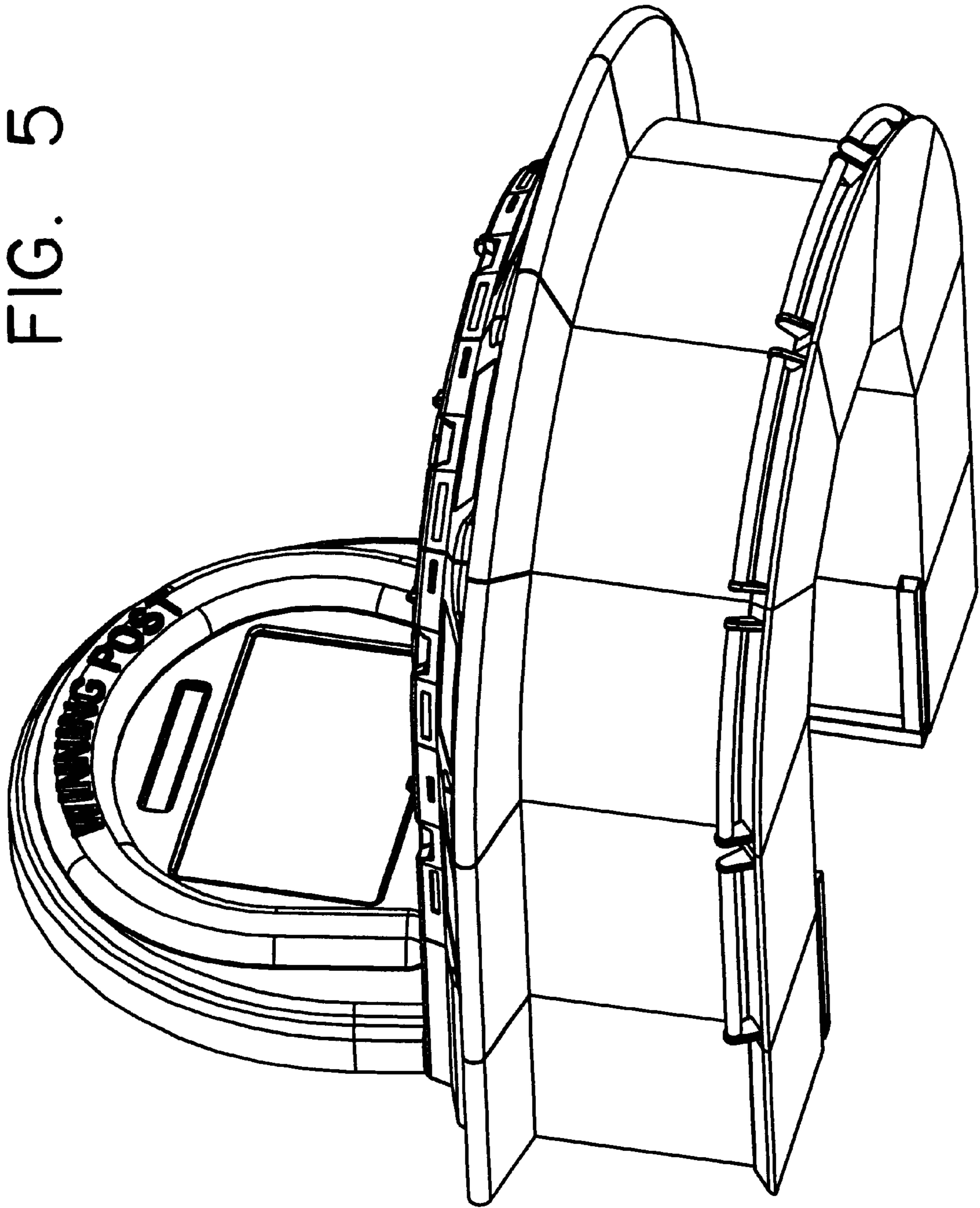


FIG. 6

