



US00D459402S

(12) **United States Design Patent**
Wurz et al.

(10) **Patent No.:** **US D459,402 S**
(45) **Date of Patent:** **** Jun. 25, 2002**

(54) **GAMING MACHINE**

(75) Inventors: **Norman R. Wurz**, Des Plaines; **James M. Rasmussen**, Chicago; **William C. Cesaroni**, Glenview; **Robert J. Glenn, II**, Elk Grove Village; **Jack B. Hough**, Chicago, all of IL (US)

(73) Assignee: **WMS Gaming Inc.**, Waukegan, IL (US)

(**) Term: **14 Years**

(21) Appl. No.: **29/147,267**

(22) Filed: **Aug. 24, 2001**

Related U.S. Application Data

(63) Continuation-in-part of application No. 09/441,125, filed on Nov. 17, 1999, now Pat. No. 6,334,612.

(51) **LOC (7) Cl.** **21-01**

(52) **U.S. Cl.** **D21/325**

(58) **Field of Search** D21/324, 325, D21/326, 327, 333; 463/1, 12, 13, 18, 19, 20, 46, 47, 29-35, 50, 51, 52; 273/148 B, 143 R; 348/440.1, 442; 434/247, 253; 482/76, 79, 146, 901, 902

(56) **References Cited**

U.S. PATENT DOCUMENTS

5,411,257 A * 5/1995 Fulton 463/13

5,820,460 A * 10/1998 Fulton 463/13
D419,606 S * 1/2000 Toriyama D21/325
D428,062 S * 7/2000 Hayashi D21/325
D446,252 S * 8/2001 Yamaguchi D21/325
6,290,229 B1 * 9/2001 Perez 273/148 B

* cited by examiner

Primary Examiner—Prabhakar Deshmukh

(57) **CLAIM**

The ornamental design for a “gaming machine”, as shown and described.

DESCRIPTION

FIG. 1 is an isometric view of a gaming machine showing our new design.

FIG. 2 is a front elevational view thereof.

FIG. 3 is a rear elevational view thereof.

FIG. 4 is a left side elevational view thereof.

FIG. 5 is a right side elevational view thereof.

FIG. 6 is a top plan view thereof; and,

FIG. 7 is a bottom plan view thereof.

The broken lines shown are for illustrative purposes only and form no part of the claimed design.

1 Claim, 4 Drawing Sheets

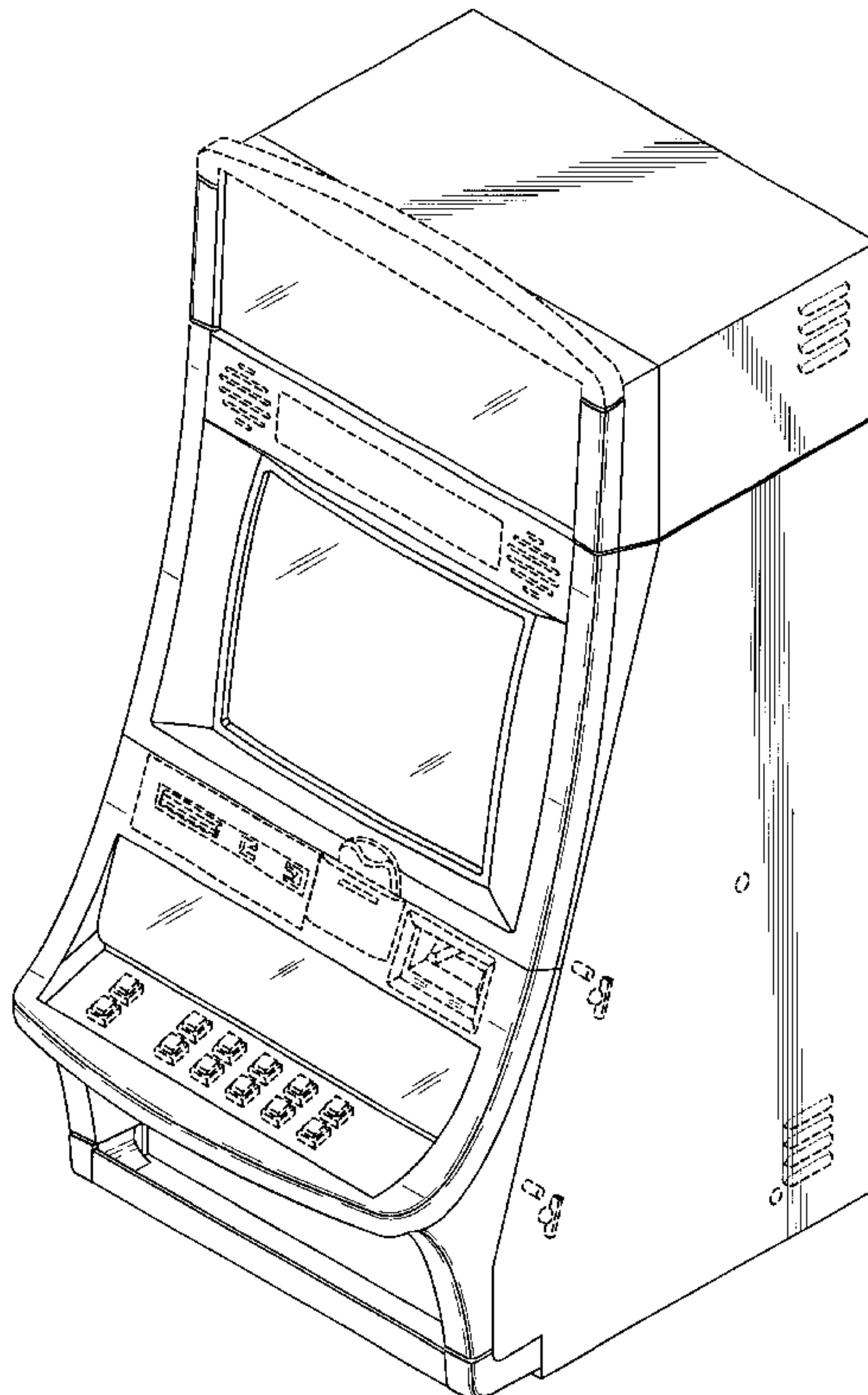


Fig. 1

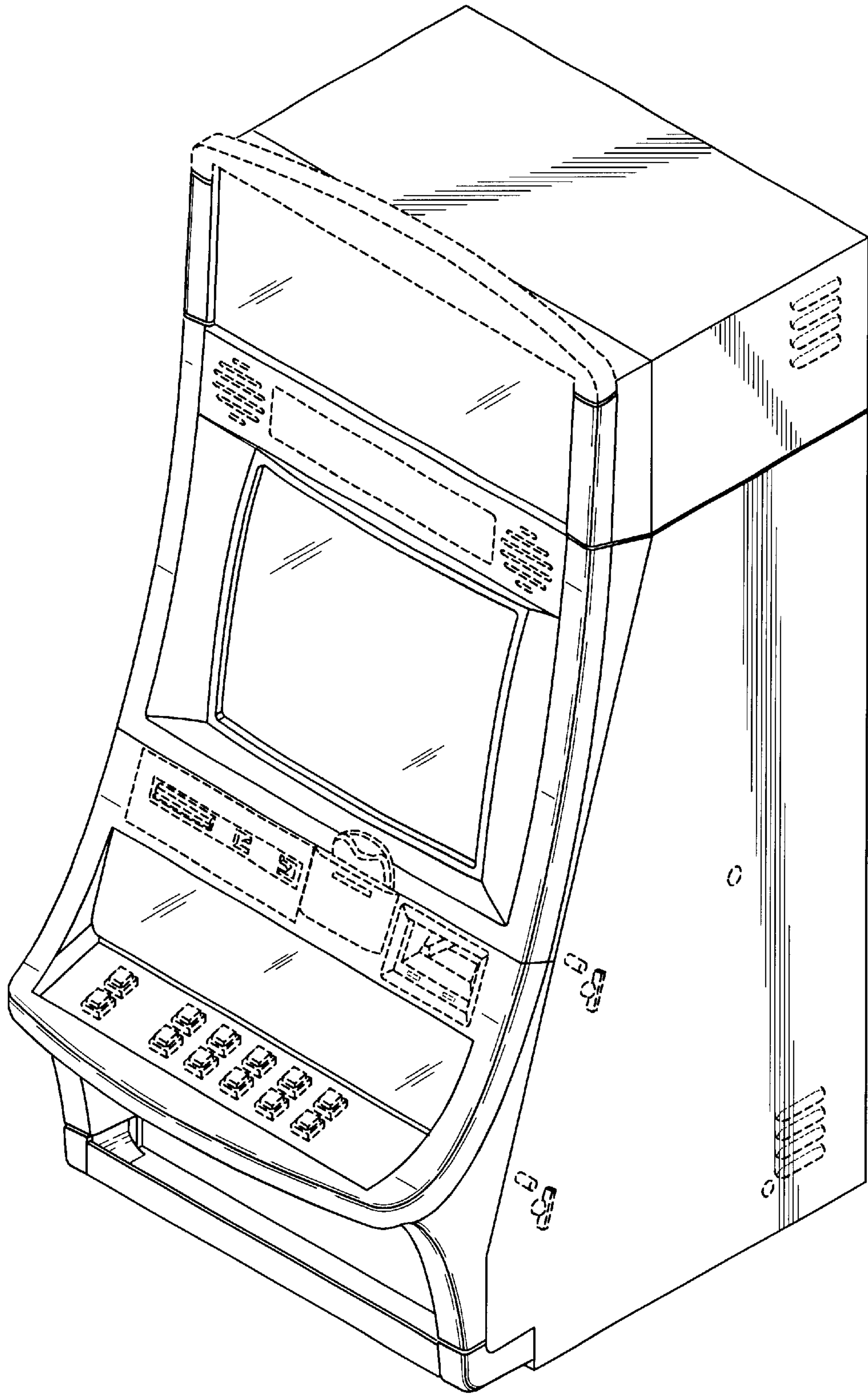


Fig. 2

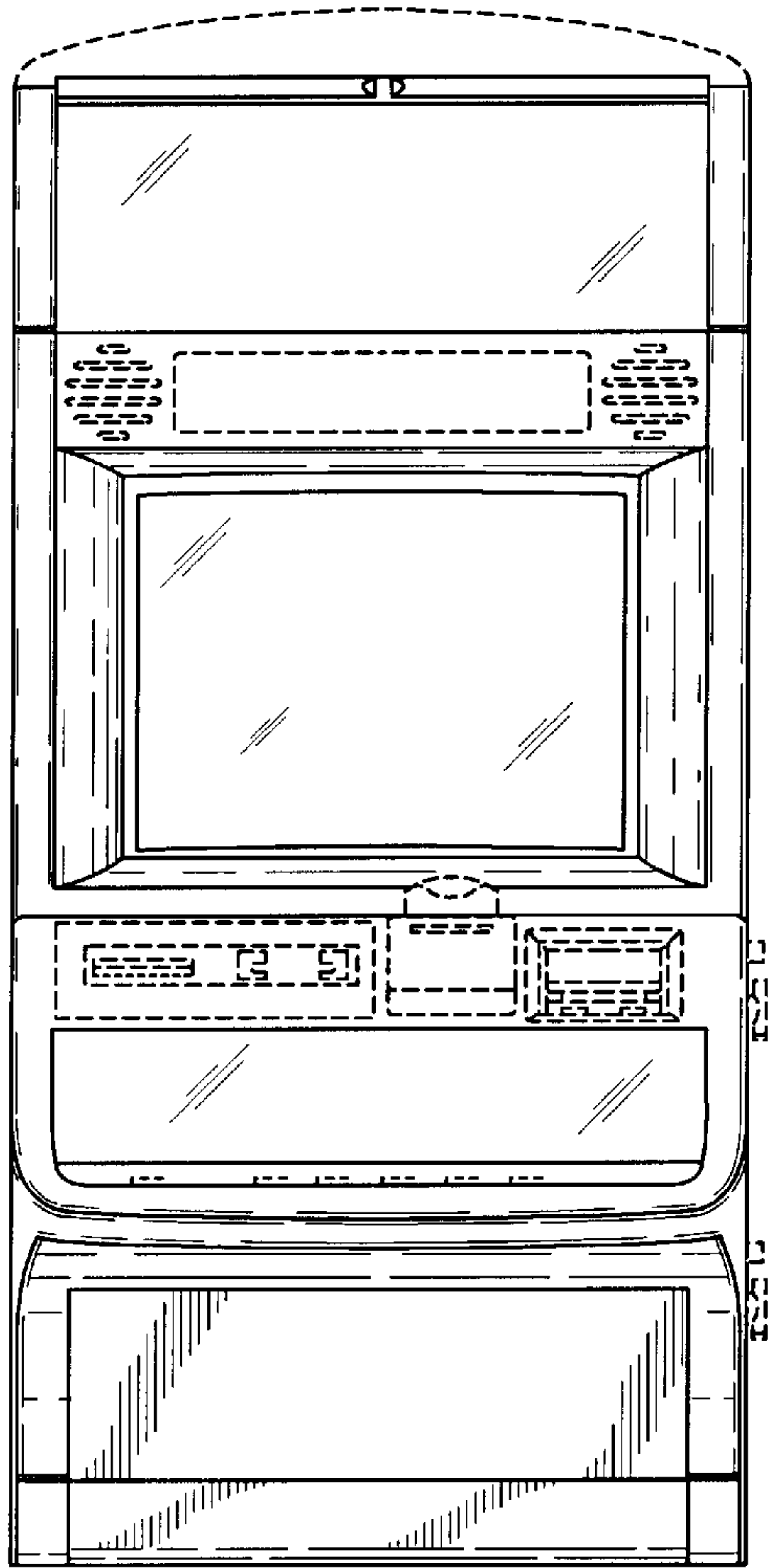


Fig. 3

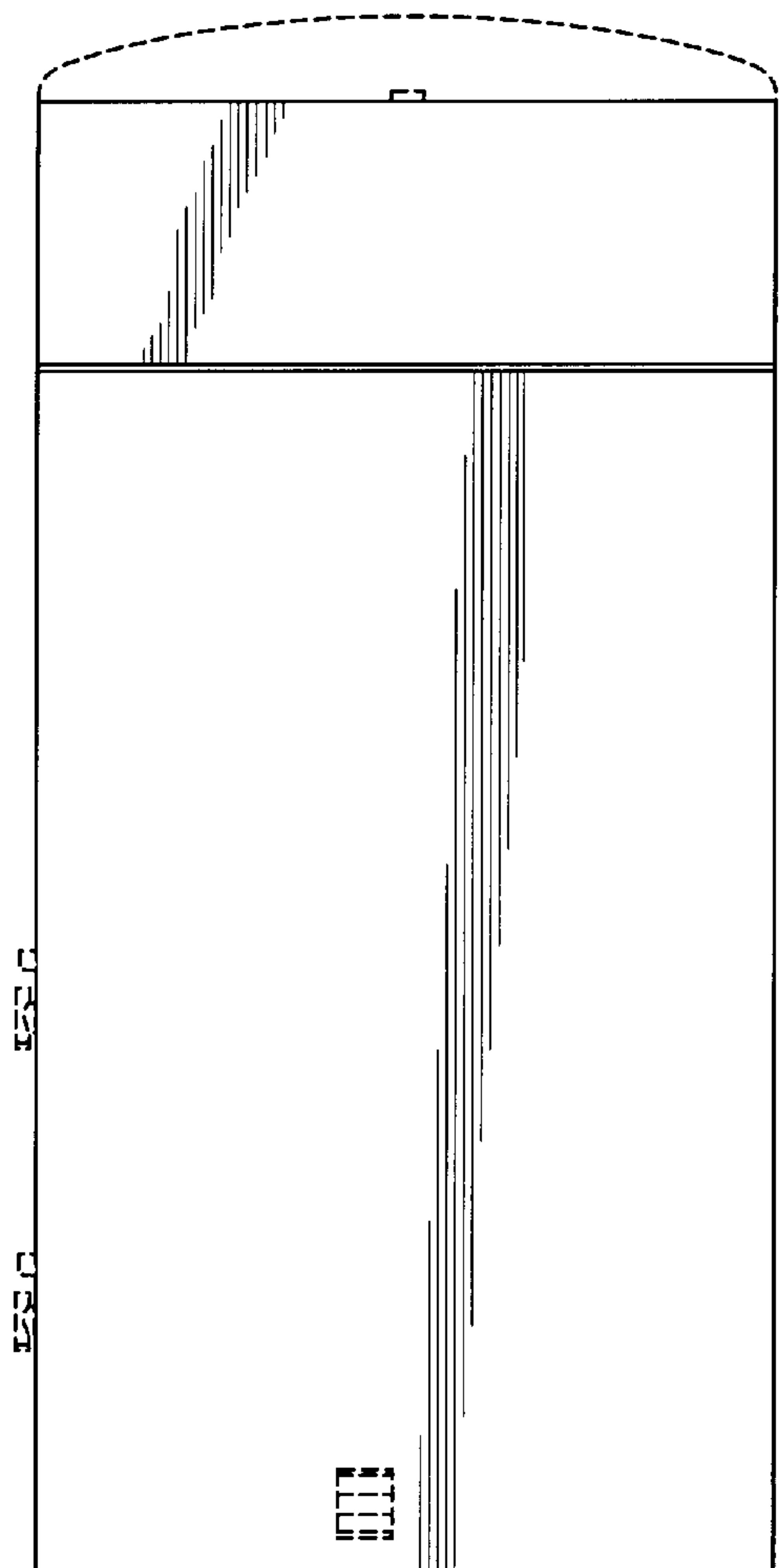


Fig. 4

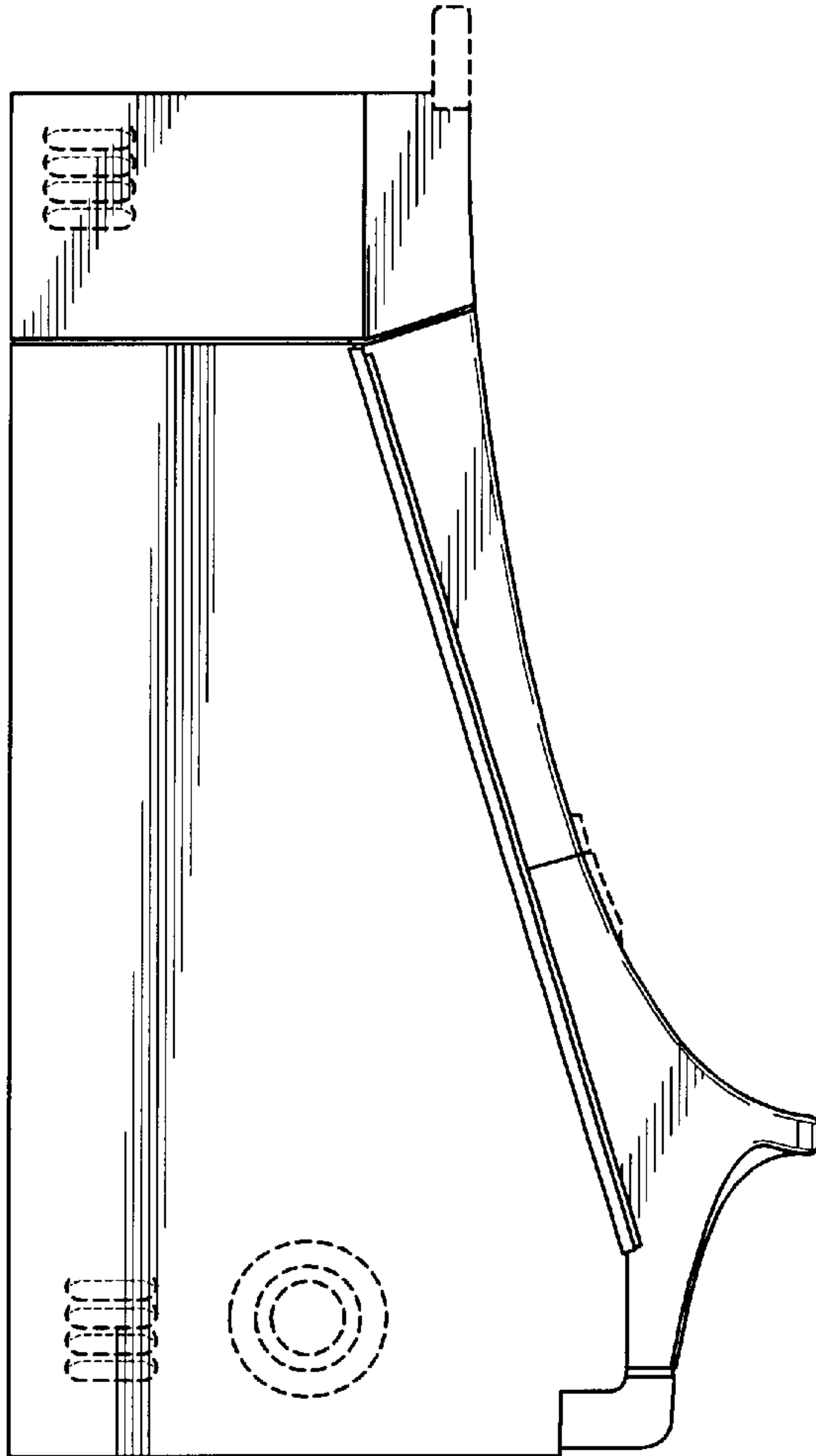


Fig. 5

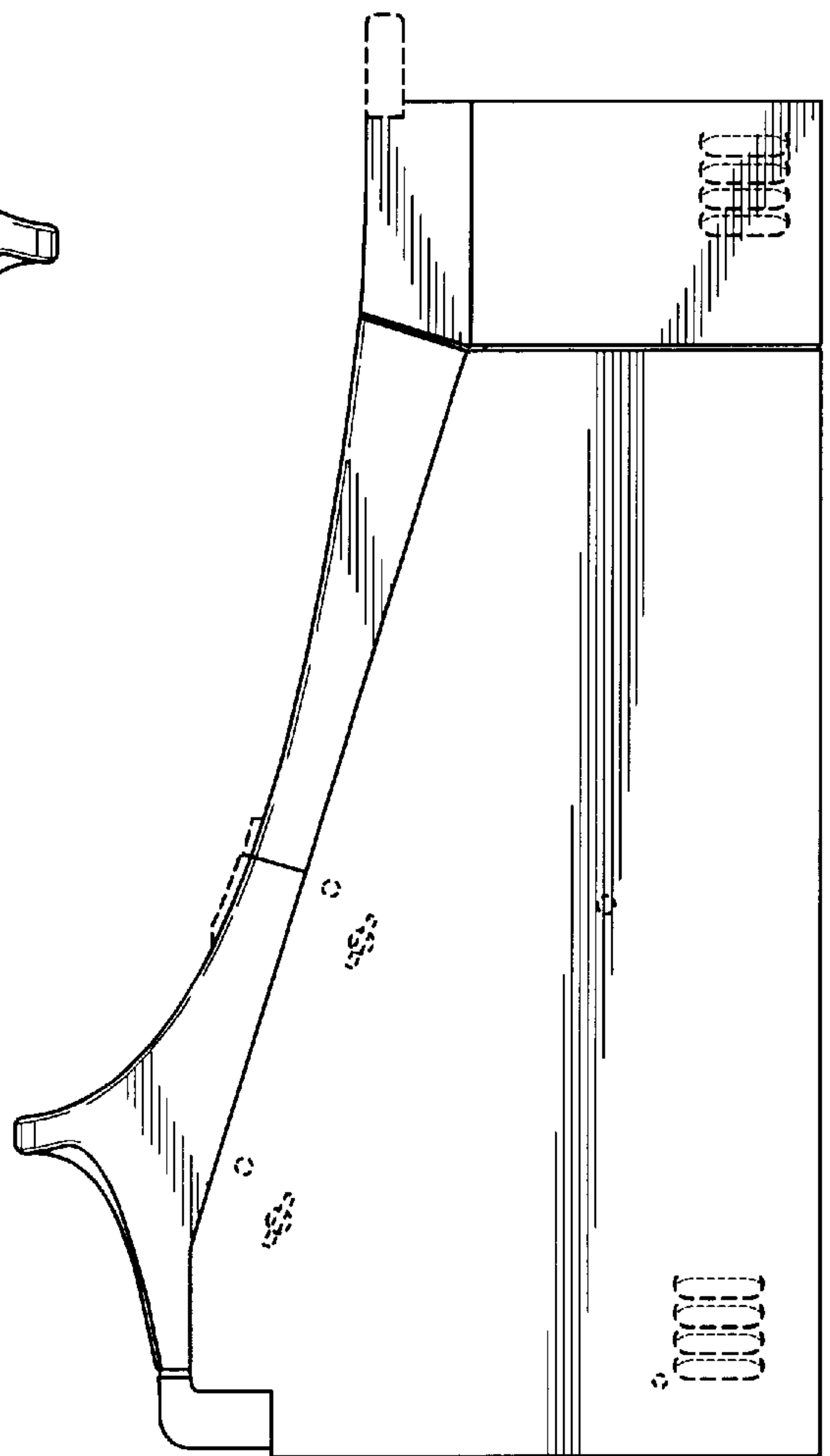


Fig. 6

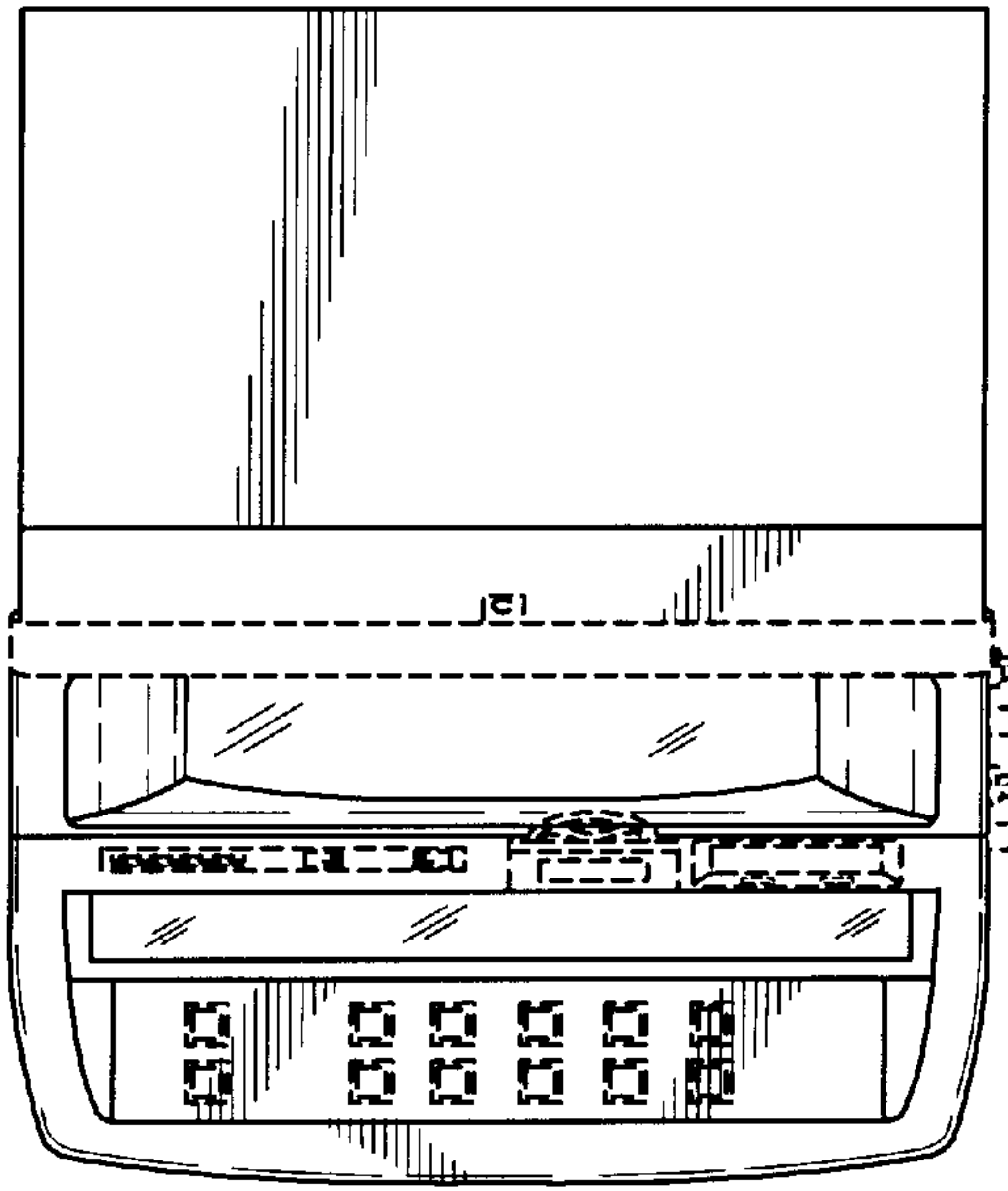


Fig. 7

