



US00D459397S

(12) **United States Design Patent**
Zeller et al.

(10) **Patent No.:** **US D459,397 S**

(45) **Date of Patent:** **** Jun. 25, 2002**

(54) **CLIPBOARD AND READING STAND WITH LIGHT AND DRAWERS**

(75) Inventors: **Noel E. Zeller**, Harrison; **Wei Young**, Long Island City, both of NY (US)

(73) Assignee: **Zelco Industries, Inc.**, Mount Vernon, NY (US)

(**) Term: **14 Years**

(21) Appl. No.: **29/146,478**

(22) Filed: **Aug. 10, 2001**

(51) **LOC (7) Cl.** **19-06**

(52) **U.S. Cl.** **D19/88; D19/36; D19/90; D19/91; D26/51**

(58) **Field of Search** D19/35, 36, 65, D19/75, 78, 81-85, 86, 88, 90, 91, 92, 95, 99, 100; D6/419, 420; D26/51; 281/45, 42; 362/98, 99, 198, 287, 427, 430; 248/441.1, 451, 453; 40/352

(56) **References Cited**

U.S. PATENT DOCUMENTS

2,732,481 A * 1/1956 King 362/98
3,153,400 A * 10/1964 Mendels 40/352

D285,392 S * 9/1986 Thompson D19/75 X
4,751,620 A * 6/1988 Wright 362/99
D302,569 S * 8/1989 Albright et al. D19/91
4,892,334 A * 1/1990 Sinclair 281/45
5,025,353 A * 6/1991 Menaged 362/98
5,176,438 A * 1/1993 Fisherman 362/99

* cited by examiner

Primary Examiner—Martie K. Holtje

(74) *Attorney, Agent, or Firm*—Cooper & Dunham LLP; Donald S. Dowden

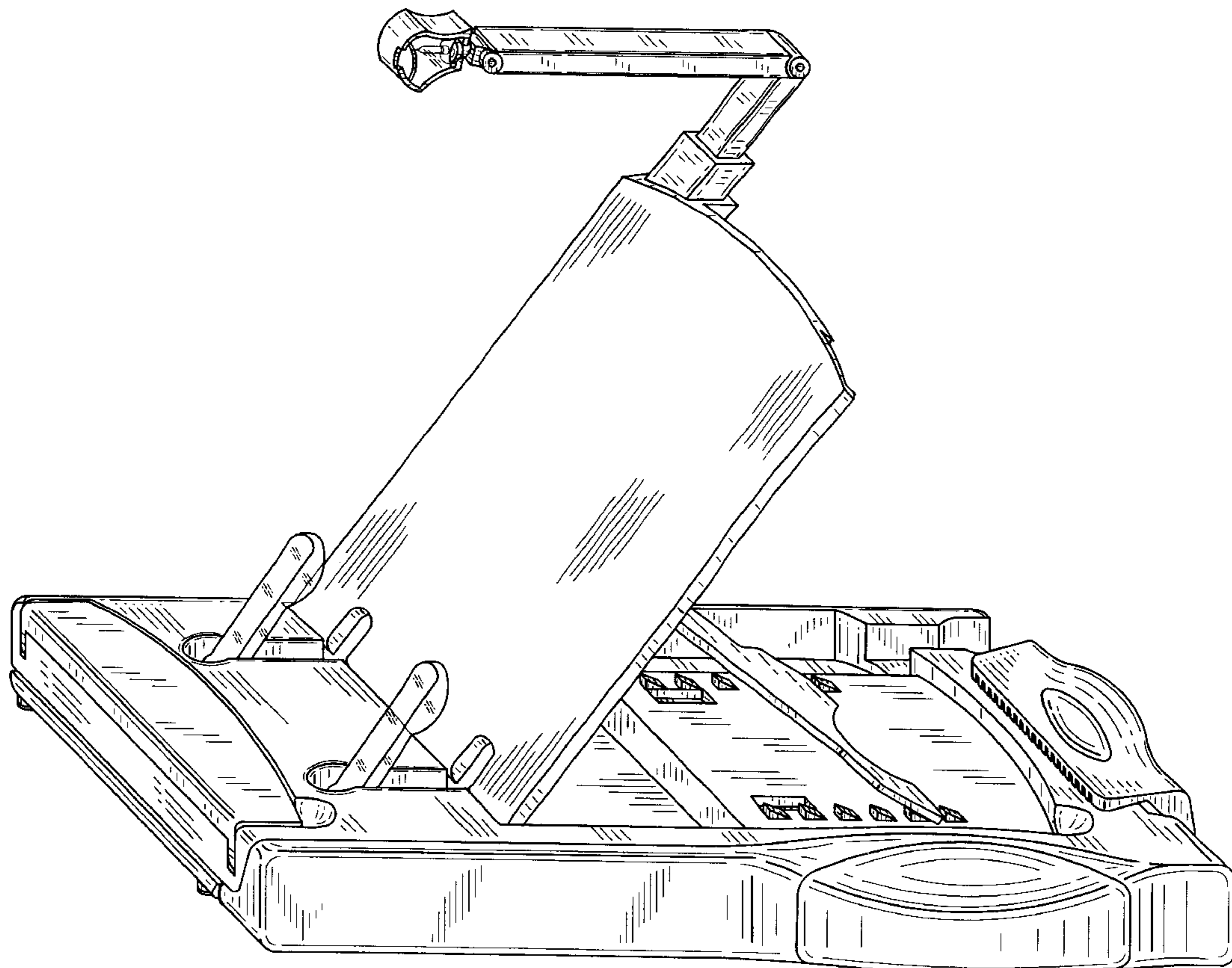
(57) **CLAIM**

The ornamental design for a clipboard and reading stand with light and drawers, as shown and described.

DESCRIPTION

FIG. 1 is a perspective view showing our new design; FIG. 2 is a perspective view showing our design in a second configuration; FIG. 3 is a front view thereof; FIG. 4 is a rear view thereof; FIG. 5 is a top view thereof; FIG. 6 is a right side view thereof; FIG. 7 is a left side view thereof; and, FIG. 8 is a bottom view thereof.

1 Claim, 6 Drawing Sheets



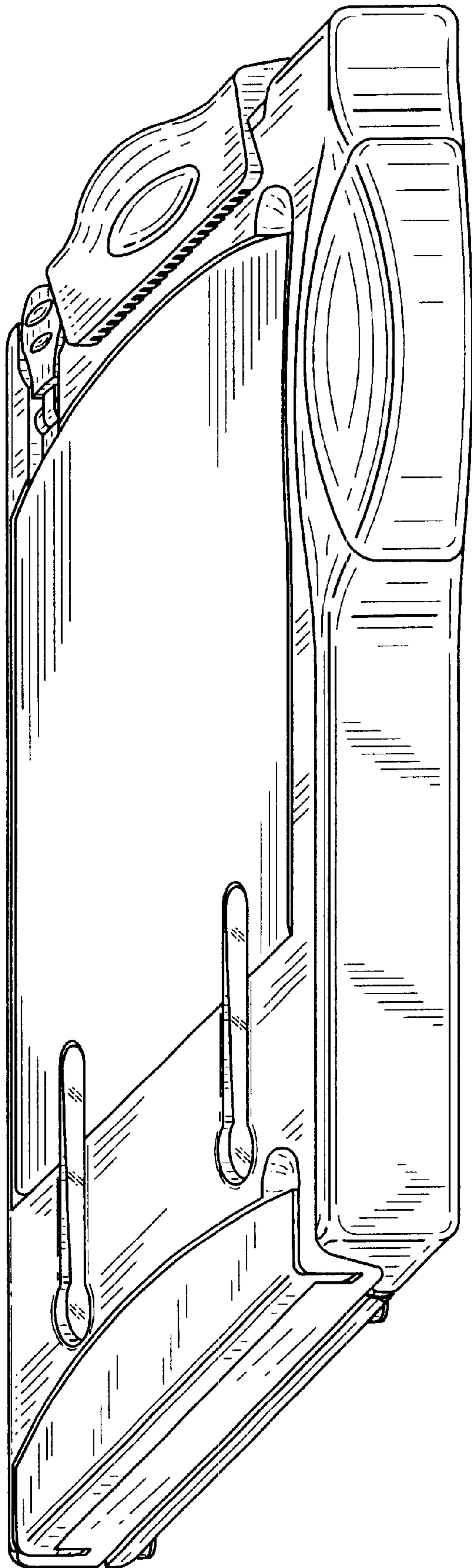
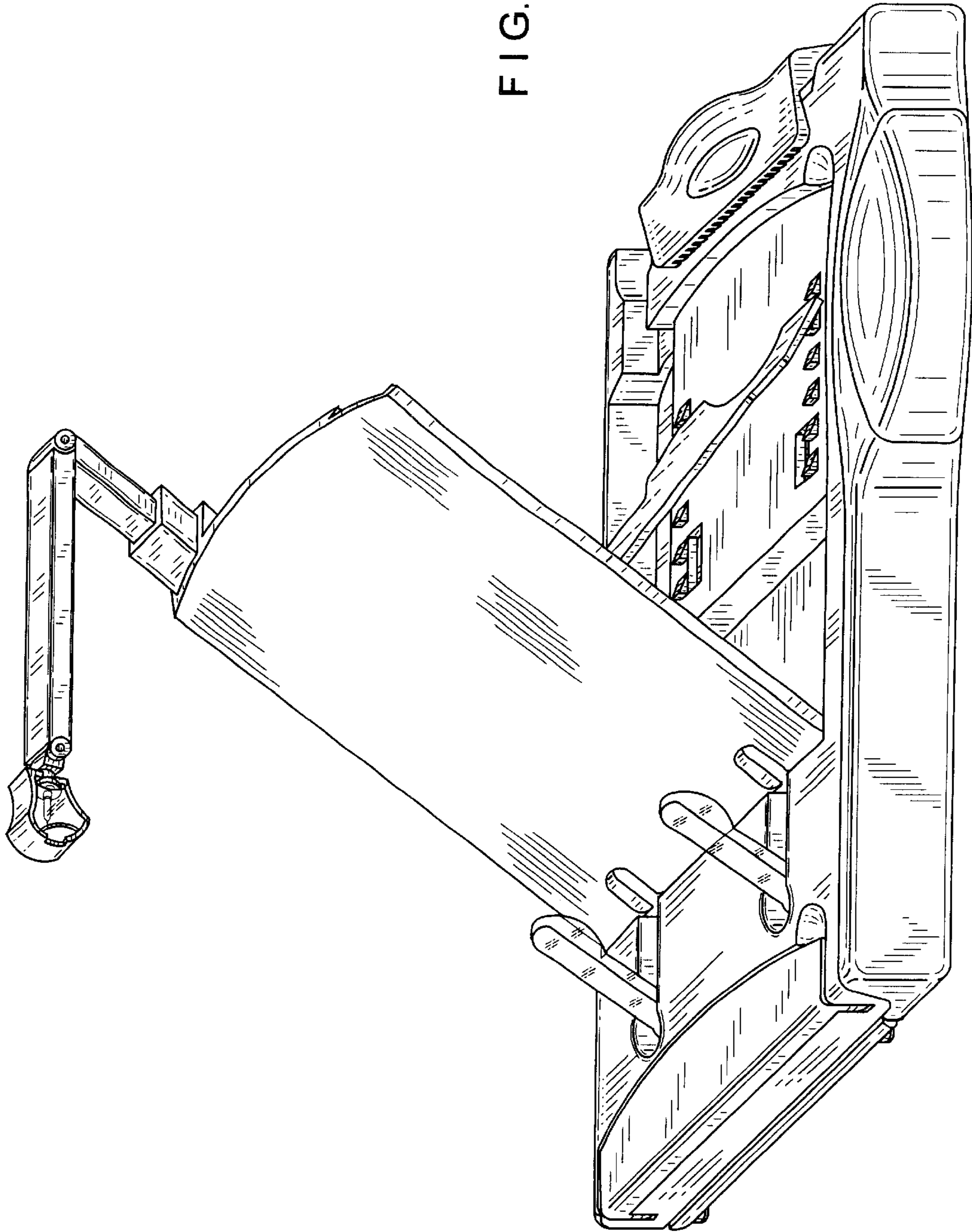


FIG. 1

FIG. 2



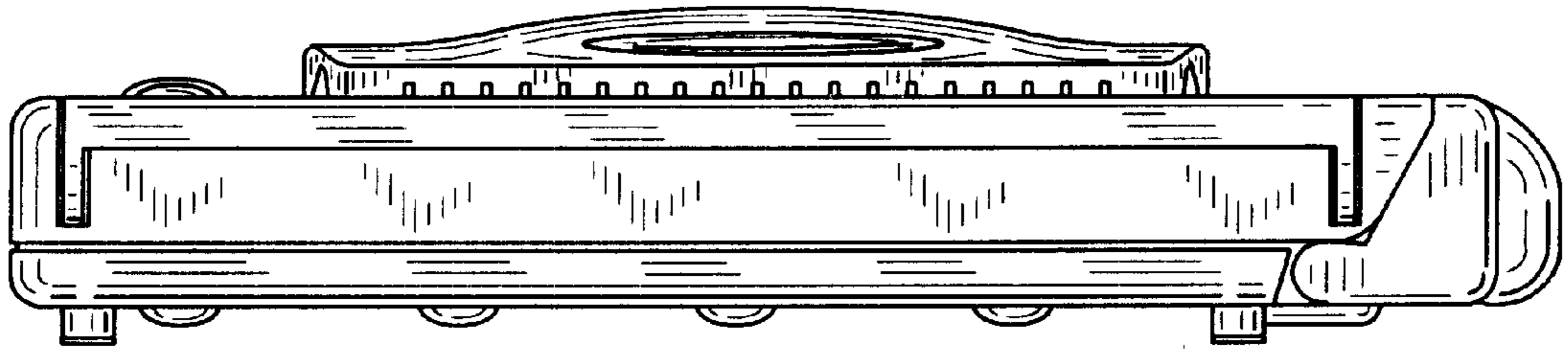


FIG. 3

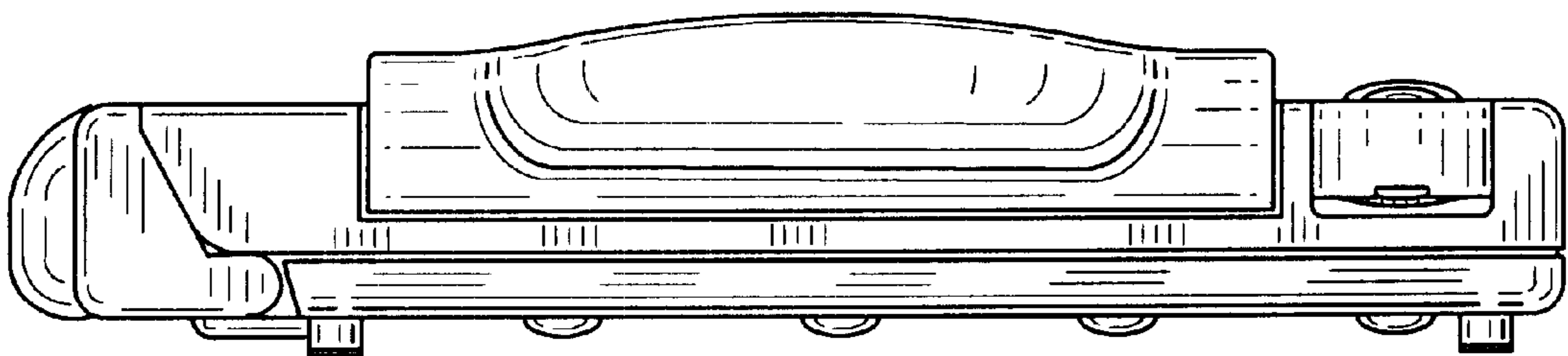


FIG. 4

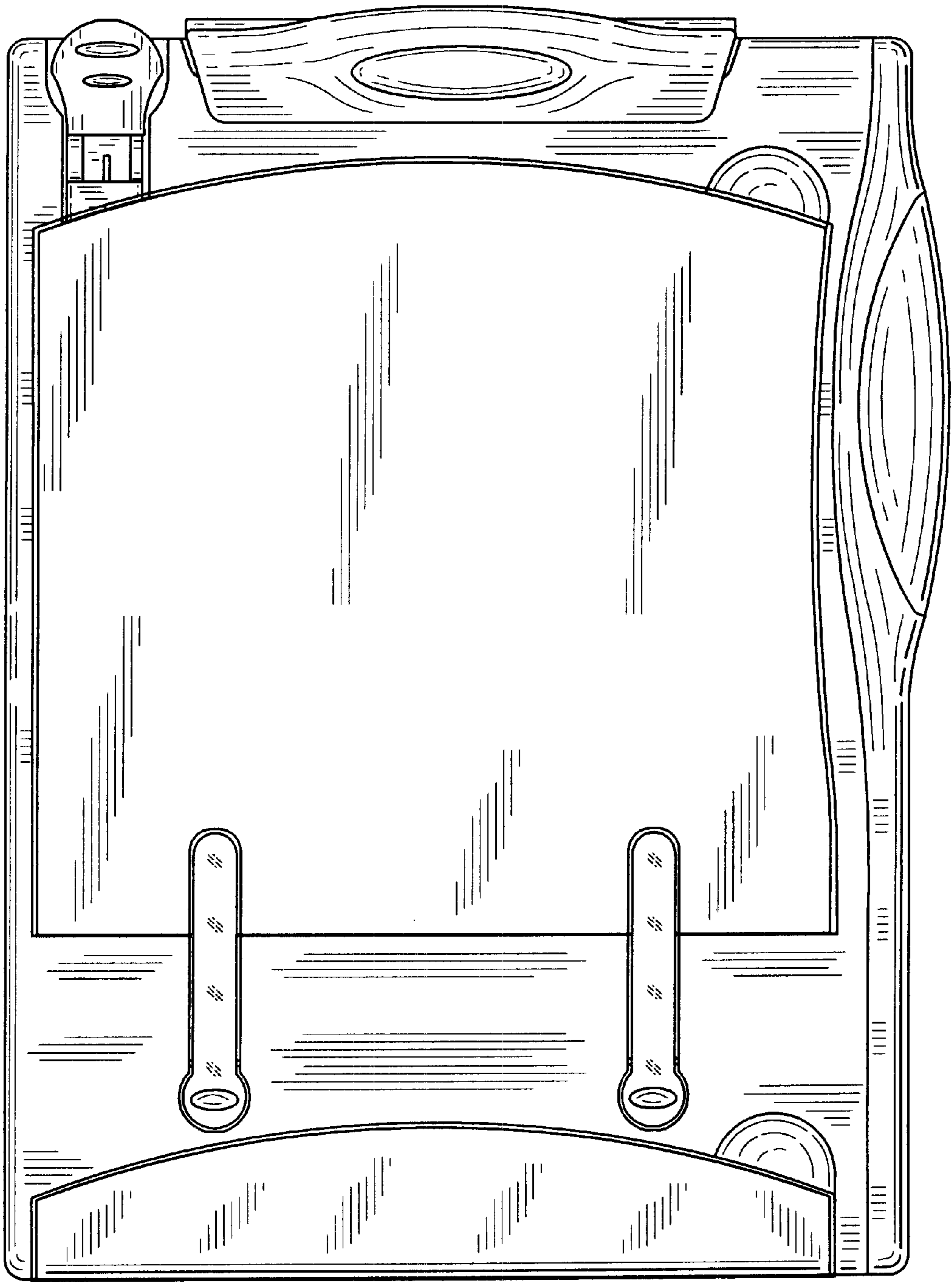


FIG. 5

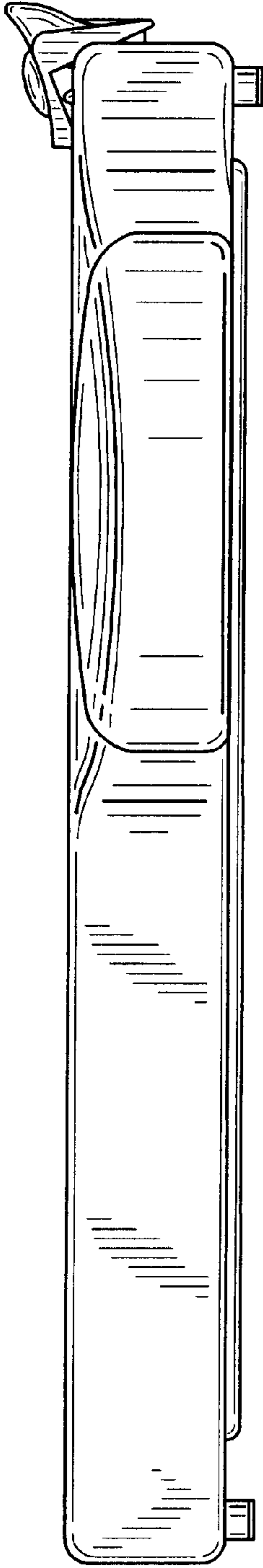


FIG. 6

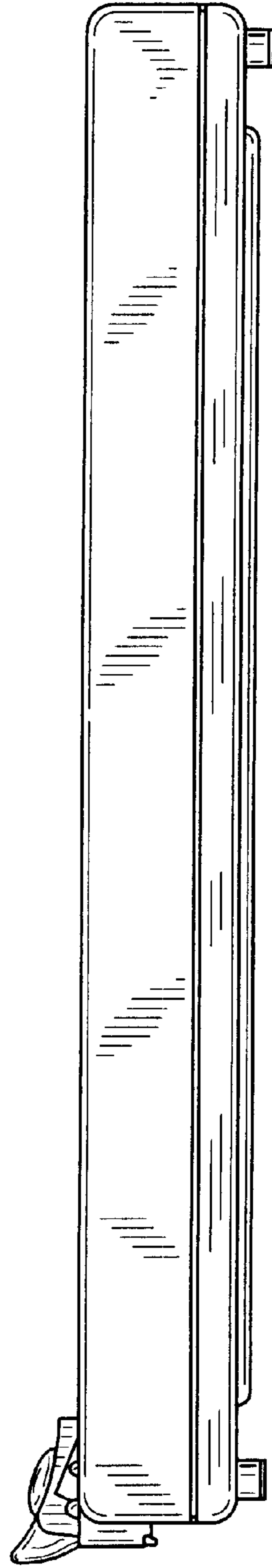


FIG. 7



FIG. 8