



US00D459396S

(12) **United States Design Patent**  
**Velasquez et al.**

(10) **Patent No.:** **US D459,396 S**  
(45) **Date of Patent:** **\*\* Jun. 25, 2002**

(54) **ADHESIVE TRANSFER APPARATUS**

(75) Inventors: **Joseph E. Velasquez**, Gilbert; **Cory W. Worth**, Phoenix, both of AZ (US)

(73) Assignee: **Xyron, Inc.**, Scottsdale, AZ (US)

(\*\*) Term: **14 Years**

(21) Appl. No.: **29/150,026**

(22) Filed: **Oct. 31, 2001**

**Related U.S. Application Data**

(63) Continuation-in-part of application No. 29/137,891, filed on Mar. 2, 2001, now Pat. No. Des. 451,959.

(51) **LOC (7) Cl.** ..... **19-02**

(52) **U.S. Cl.** ..... **D19/66**

(58) **Field of Search** ..... D19/65, 66, 67, D19/68, 69, 70; 156/523, 527, 540, 576, 577; 206/395, 396, 397, 398, 411, 415, 809; 225/6, 7, 9, 25, 34, 45, 46, 56, 65, 77, 89; 242/588.1, 588.2, 588.3, 588.4, 588.5, 588.6, 590; 312/34.8; D18/24, 29

(56) **References Cited**

**U.S. PATENT DOCUMENTS**

2,086,839	A	*	7/1937	Arce	.....	206/809
D132,739	S	*	6/1942	Miller	.....	206/809
3,983,814	A		10/1976	Baker		
D310,104	S	*	8/1990	Uchida	.....	D19/67
D362,462	S	*	9/1995	Carlson et al.	.....	D19/68
D386,524	S		11/1997	Walker		

\* cited by examiner

*Primary Examiner*—Doris V. Coles

*Assistant Examiner*—Elizabeth A. Albert

(74) *Attorney, Agent, or Firm*—Pillsbury Winthrop LLP

(57) **CLAIM**

The ornamental design for an adhesive transfer apparatus, as shown and described,

**DESCRIPTION**

A portion of the disclosure of this patent document contains material to which a claim for copyright is made. The copyright owner has no objection to the facsimile reproduction of the patent document or the patent disclosure, as it appears in the Patent and Trademark Office patent file or records, but reserves all other copyrights whatsoever.

FIG. 1 is a perspective view of an adhesive transfer apparatus, looking downwardly at a front and right side thereof;

FIG. 2 is a right elevational view of the adhesive transfer apparatus of FIG. 1, it being understood that a left elevational view of the adhesive transfer apparatus of FIG. 1 is a mirror image of the right elevational view depicted;

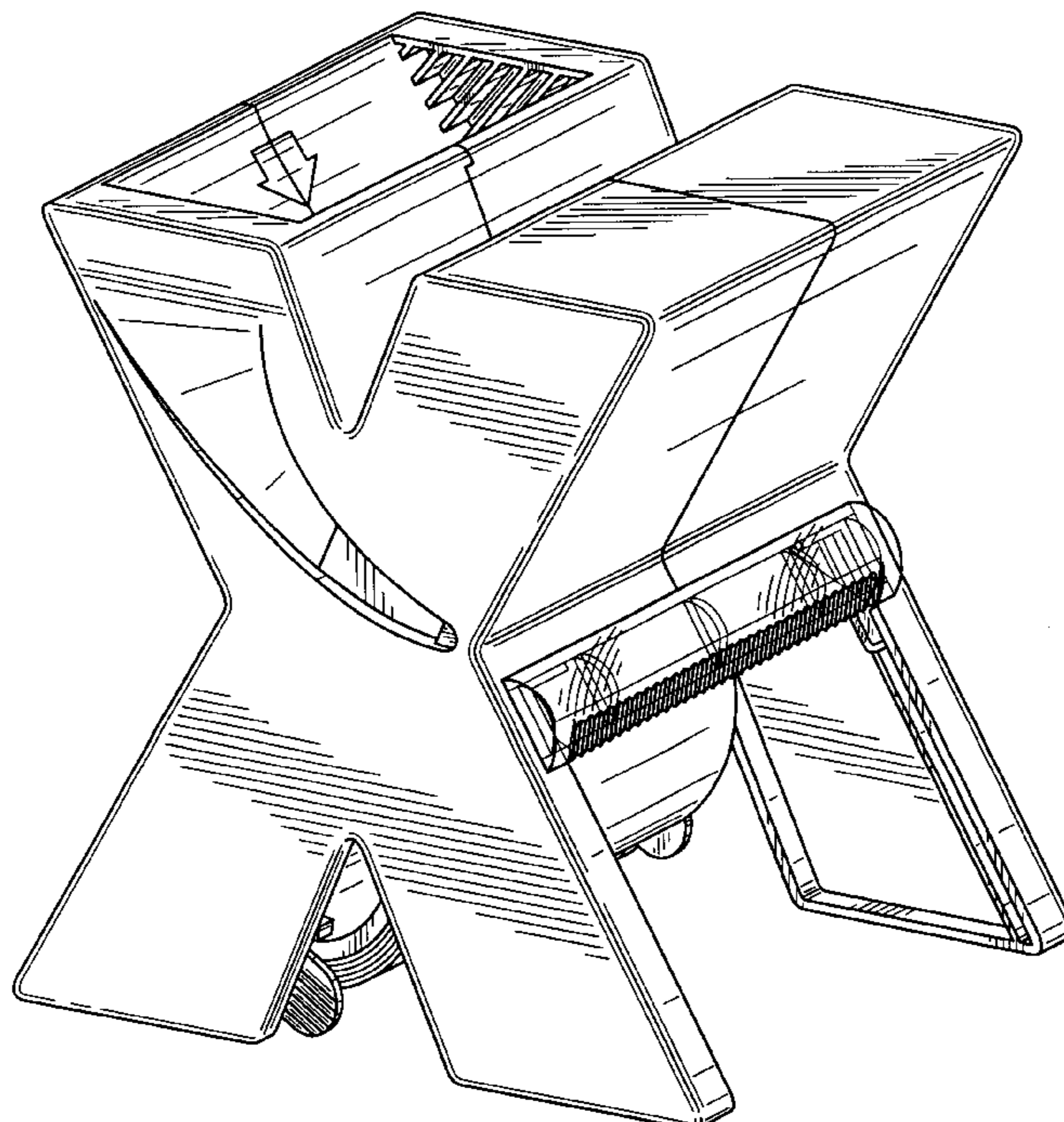
FIG. 3 is a front elevational view of the adhesive transfer apparatus of FIG. 1;

FIG. 4 is a rear elevational view of the adhesive transfer apparatus of FIG. 1;

FIG. 5 is top plan view of the adhesive transfer apparatus of FIG. 1; and,

FIG. 6 is bottom plan view of the adhesive transfer apparatus of FIG. 1.

**1 Claim, 4 Drawing Sheets**



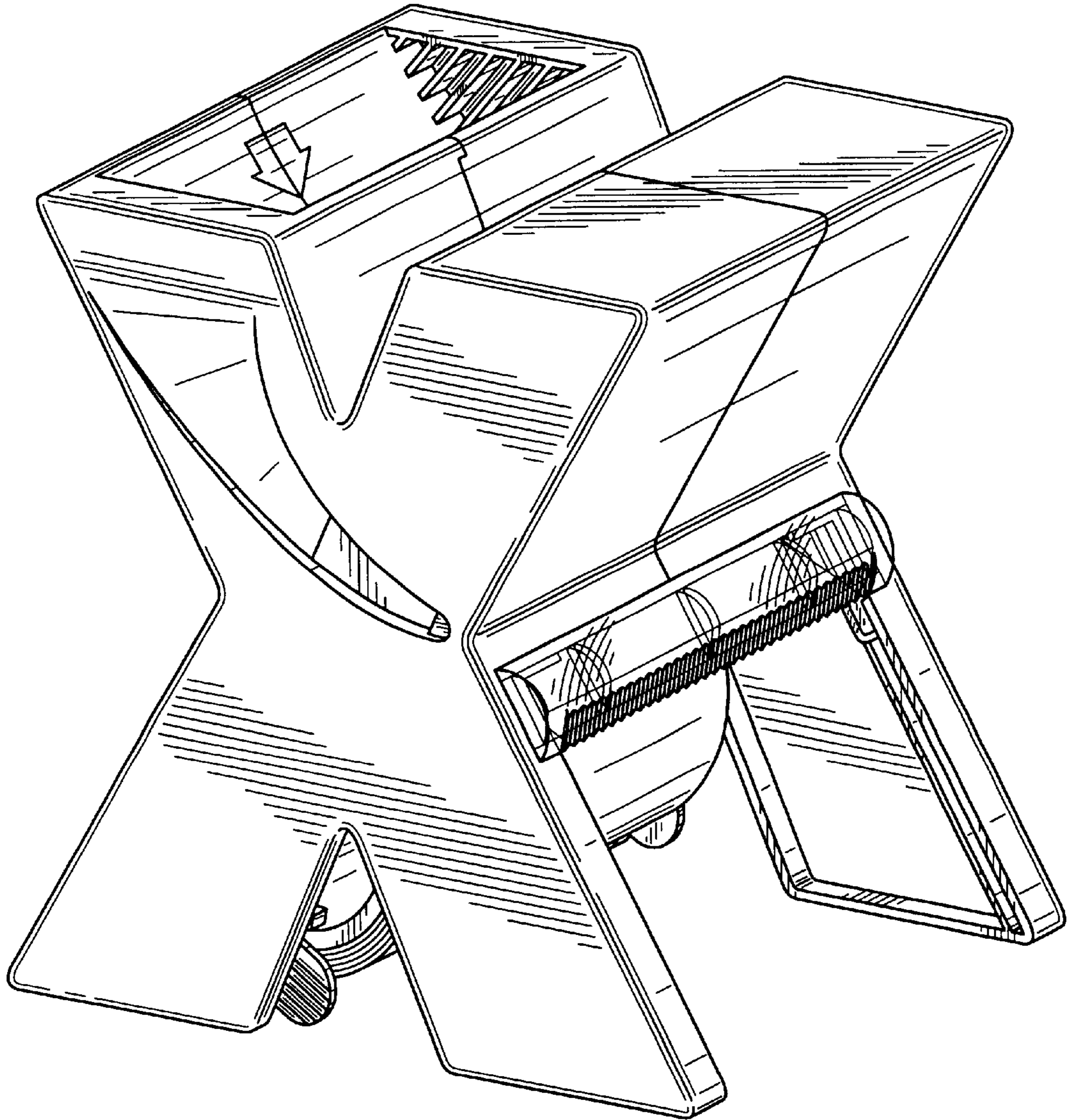


FIG. 1

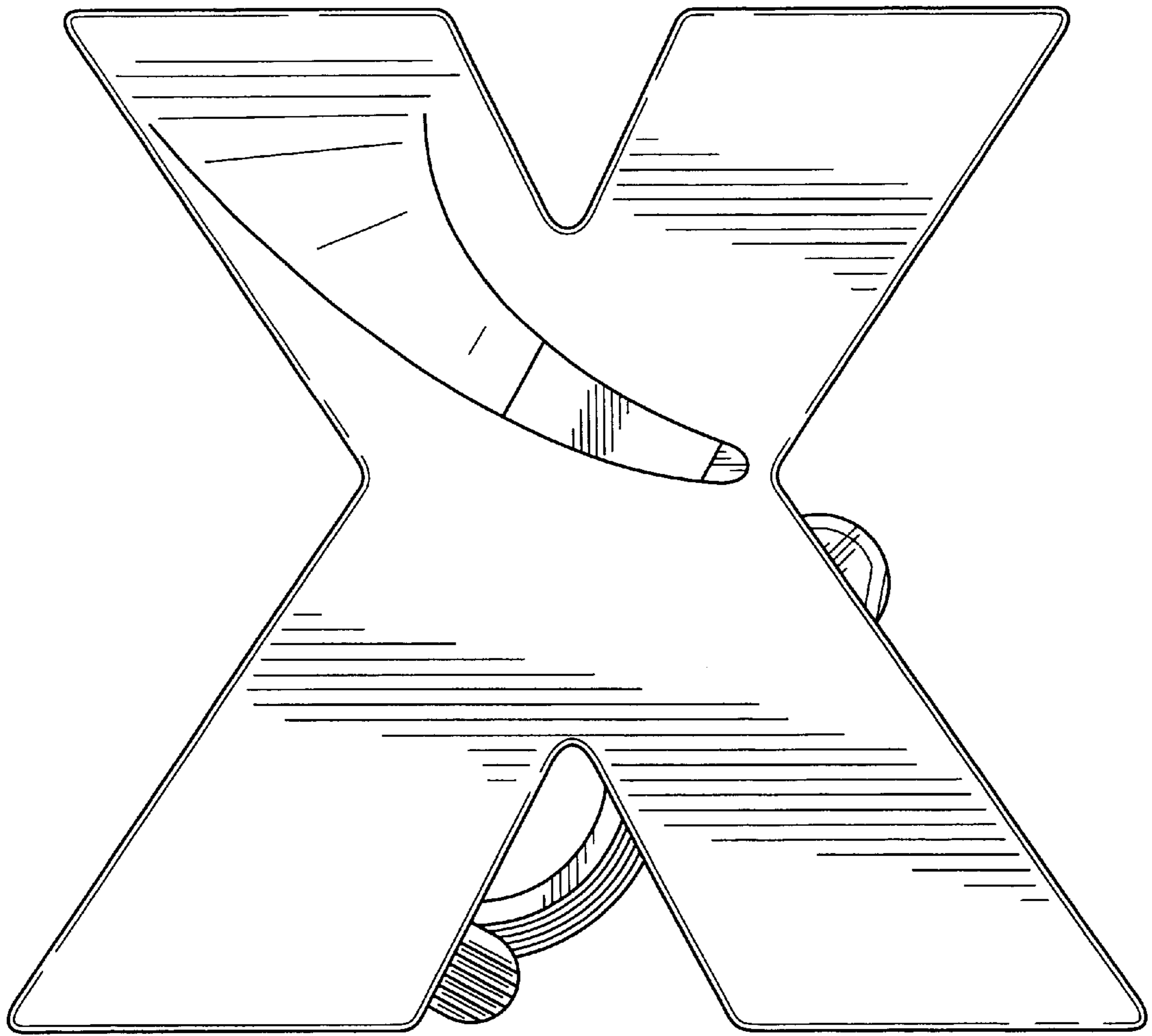


FIG. 2

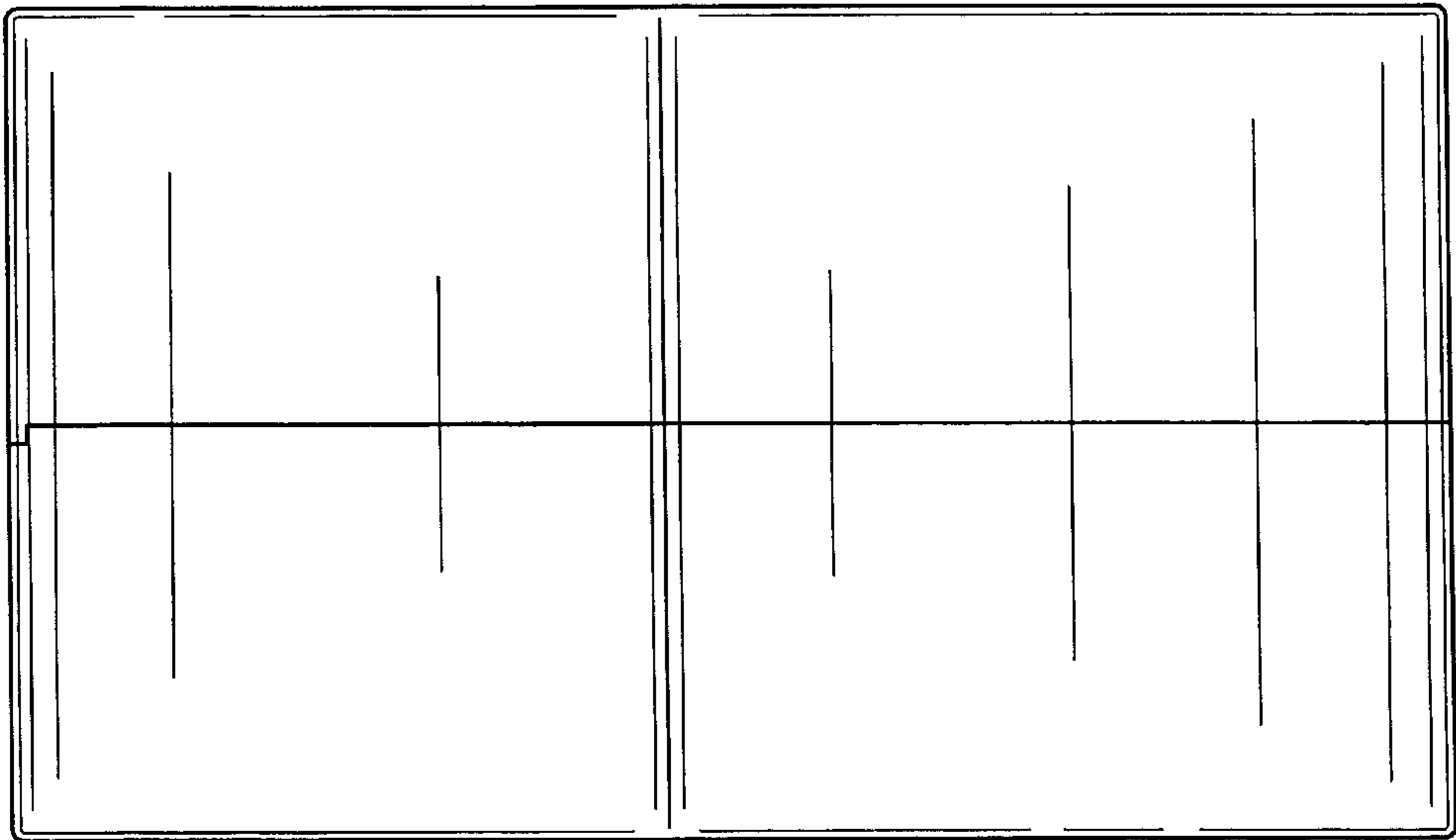


FIG. 4

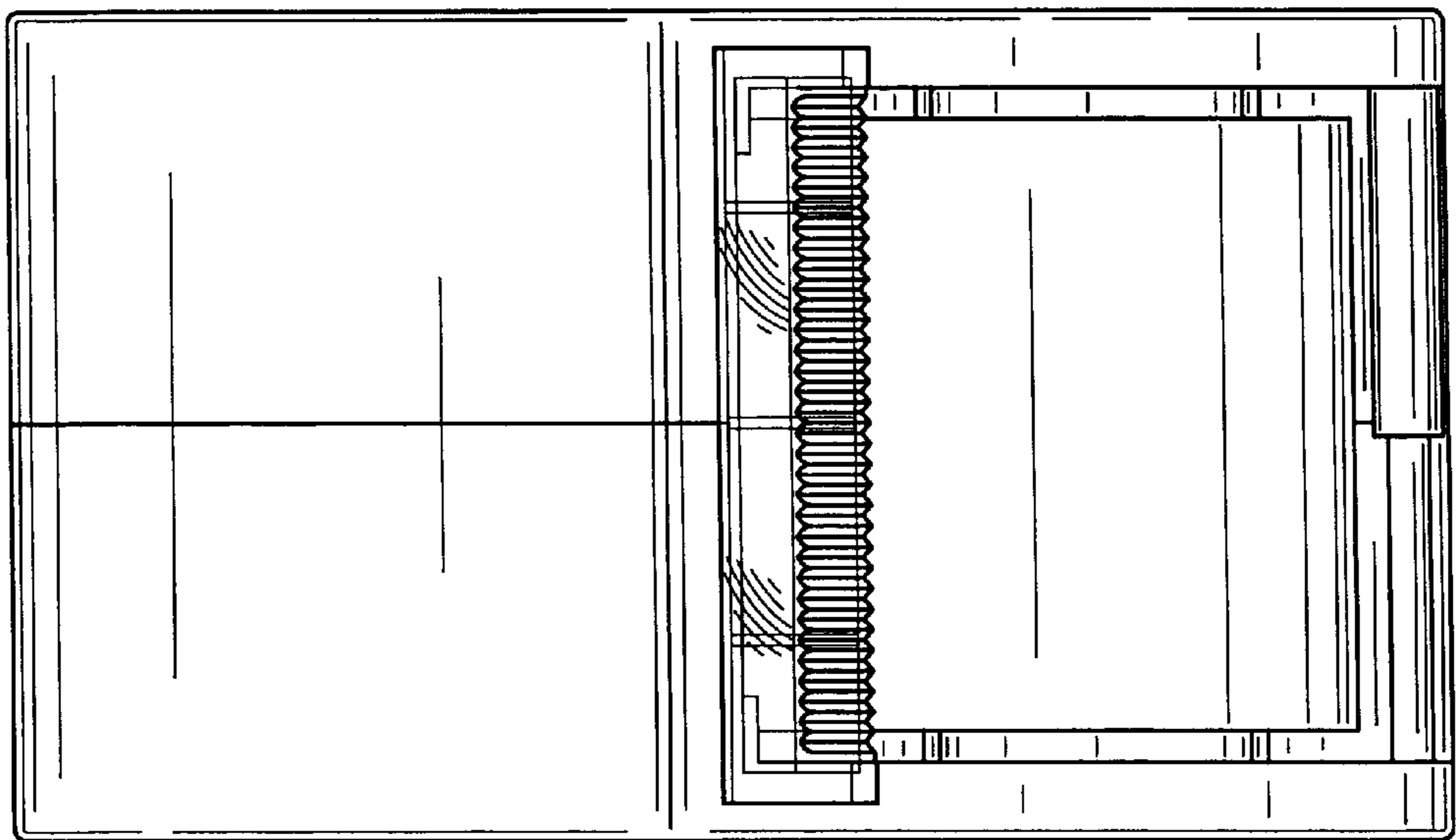


FIG. 3

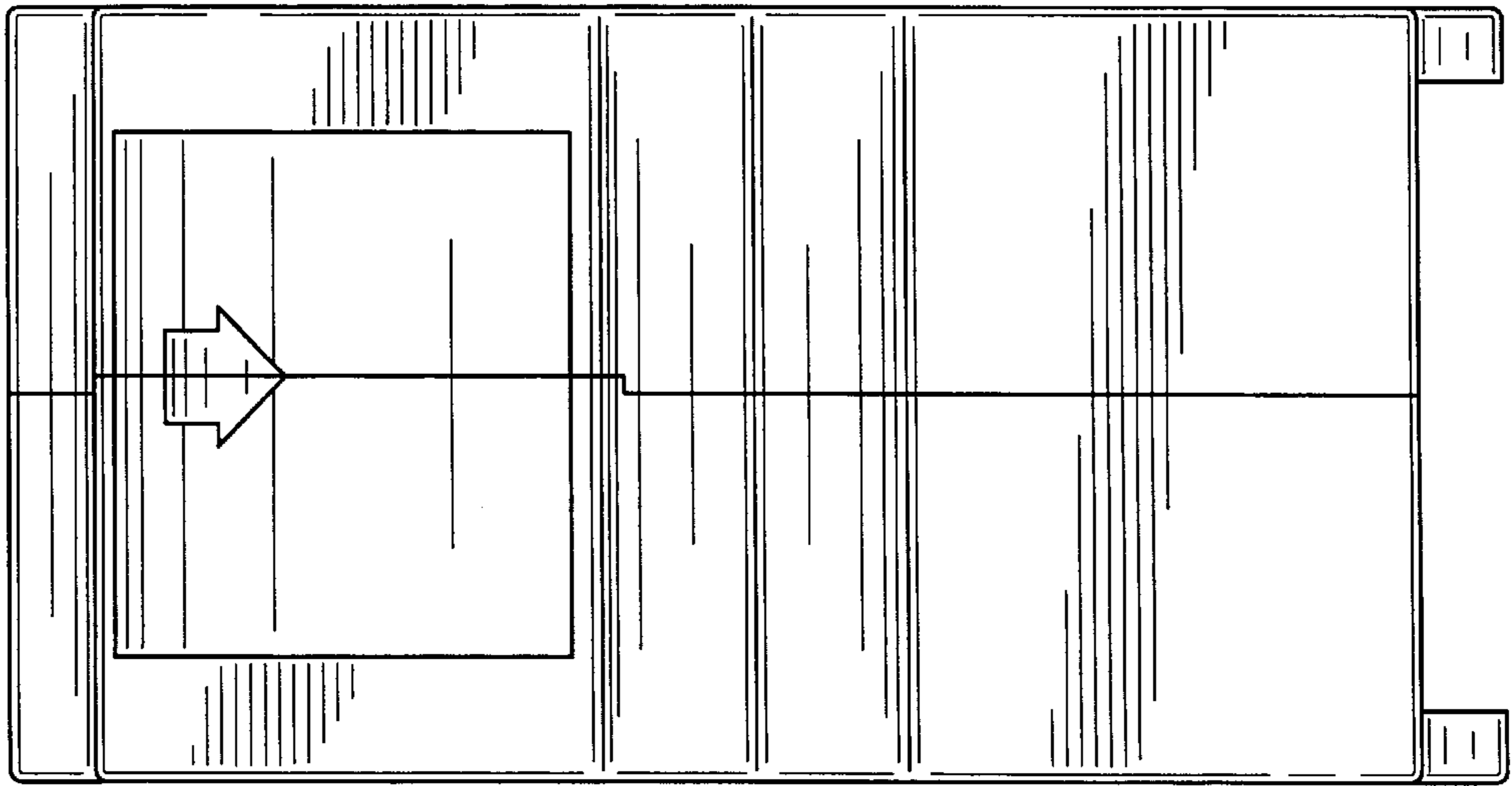


FIG. 5

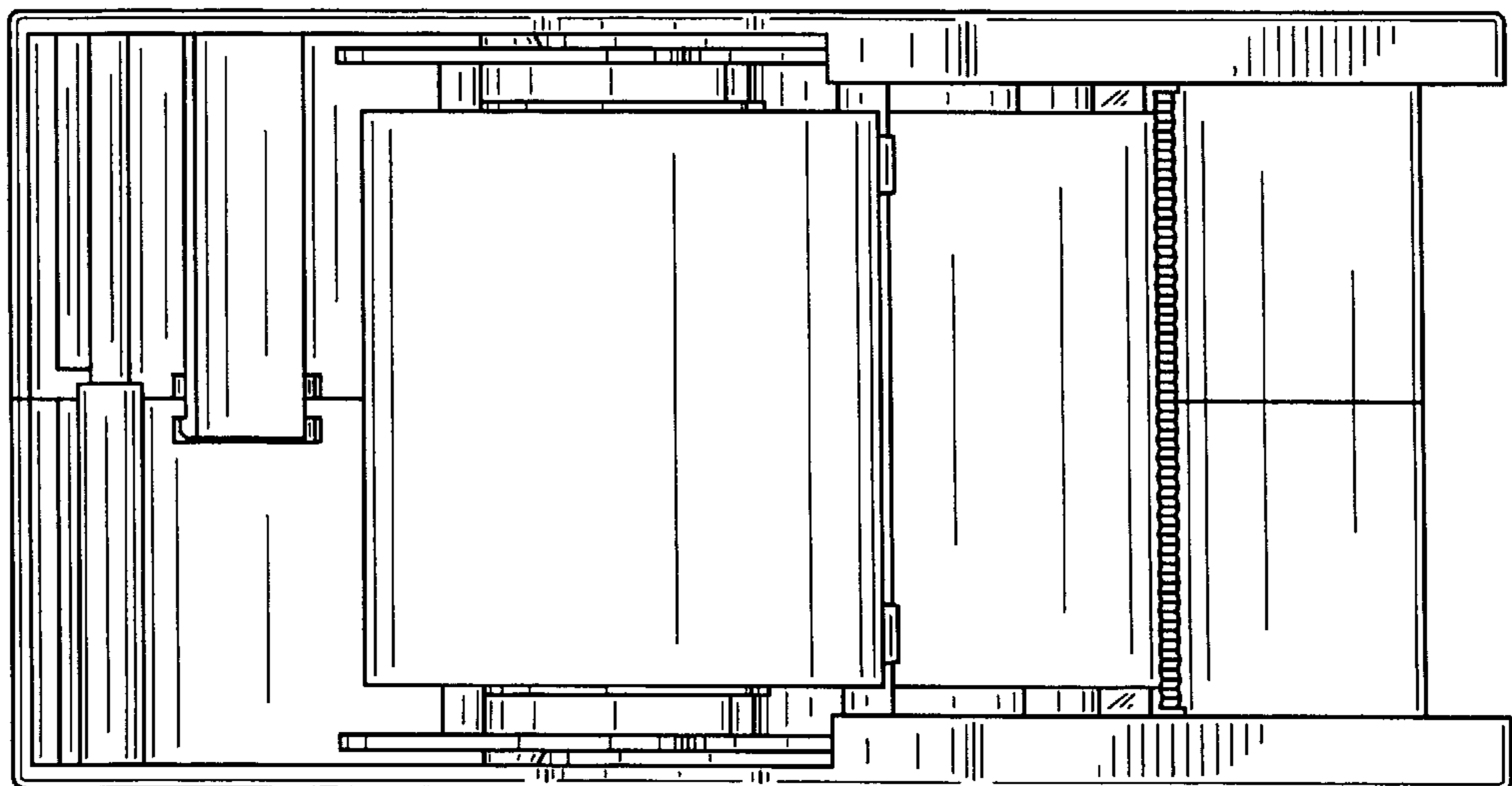


FIG. 6

UNITED STATES PATENT AND TRADEMARK OFFICE  
**CERTIFICATE OF CORRECTION**

PATENT NO. : Des. 459,396 S  
DATED : June 25, 2002  
INVENTOR(S) : Velasquez et al.

Page 1 of 1

It is certified that error appears in the above-identified patent and that said Letters Patent is hereby corrected as shown below:

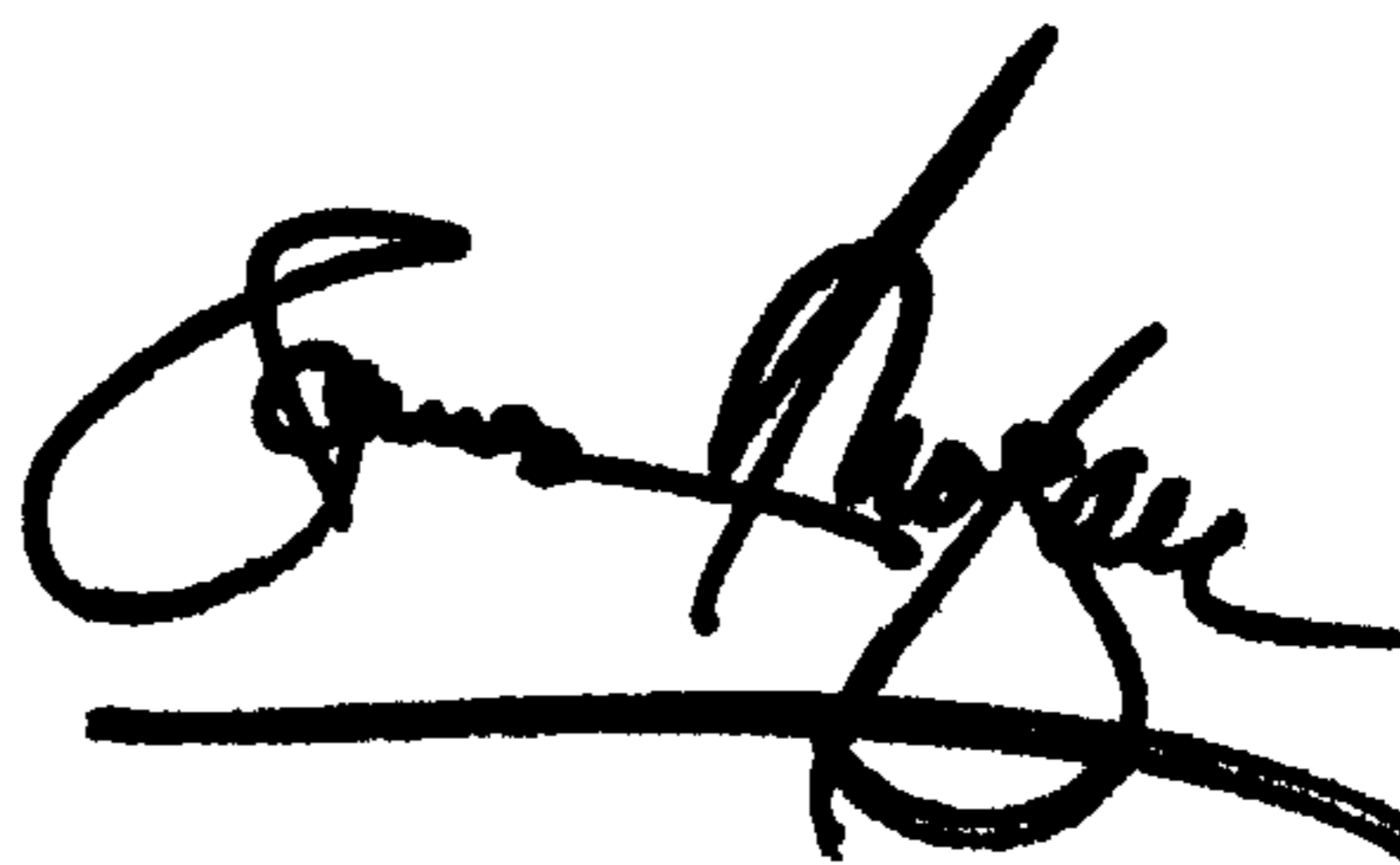
Title page,

Item [56], **References Cited**, please add -- U.S. Patent Application No. 29/137,891, Velasquez, March 2, 2001. --

Signed and Sealed this

Twenty-ninth Day of October, 2002

*Attest:*

A handwritten signature in black ink, appearing to read "James E. Rogan", with a horizontal line underneath.

*Attesting Officer*

JAMES E. ROGAN  
*Director of the United States Patent and Trademark Office*