



US00D459392S

(12) **United States Design Patent**
Xu

(10) **Patent No.:** **US D459,392 S**

(45) **Date of Patent:** **** Jun. 25, 2002**

(54) **HOUSING FOR A RING BINDER MECHANISM**

(74) *Attorney, Agent, or Firm*—Hall, Priddy, Myers & Vande Sande

(75) **Inventor:** **Wen Ming Xu**, Huai Nan (CN)

(57) **CLAIM**

(73) **Assignee:** **World Wide Stationery Manufacturing Company Limited**,
New Territories (HK)

The new and ornamental design for a housing for a ring binder mechanism, as shown and described.

(**) **Term:** **14 Years**

DESCRIPTION

(21) **Appl. No.:** **29/137,635**

(22) **Filed:** **Feb. 27, 2001**

(51) **LOC (7) Cl.** **19-04**

(52) **U.S. Cl.** **D19/32**

(58) **Field of Search** D19/26, 27, 32;
402/3, 4, 36, 26, 31, 38, 41, 60, 70, 73,
75, 80 R; 281/15.1, 21.1, 22, 27.1, 27.2,
27.3, 28, 45, 51

FIG. 1 is a top perspective view of housing for a ring binder mechanism showing my new design;

FIG. 2 is a top perspective view of the housing and ring binder mechanism of FIG. 1, with ring pairs are in an open position;

FIG. 3 is a bottom perspective view of the housing and ring binder mechanism of FIG. 1, with ring pairs in a closed position;

FIG. 4 is a bottom perspective view of the housing and ring binder mechanism of FIG. 1, with ring pairs in an open position;

FIG. 5 is a side view of the housing and ring binder mechanism of FIG. 1;

FIG. 6 is a top view of the housing and ring binder mechanism of FIG. 1;

FIG. 7 is an enlarged end view of the housing and ring binder mechanism of FIG. 1, with ring pairs in a closed position; and,

FIG. 8 is an enlarged end view of the housing and ring binder mechanism of FIG. 1, with ring pairs in an open position.

The broken line showings in all Figures are for illustrative purposes only and form no part of the claimed design.

(56) **References Cited**

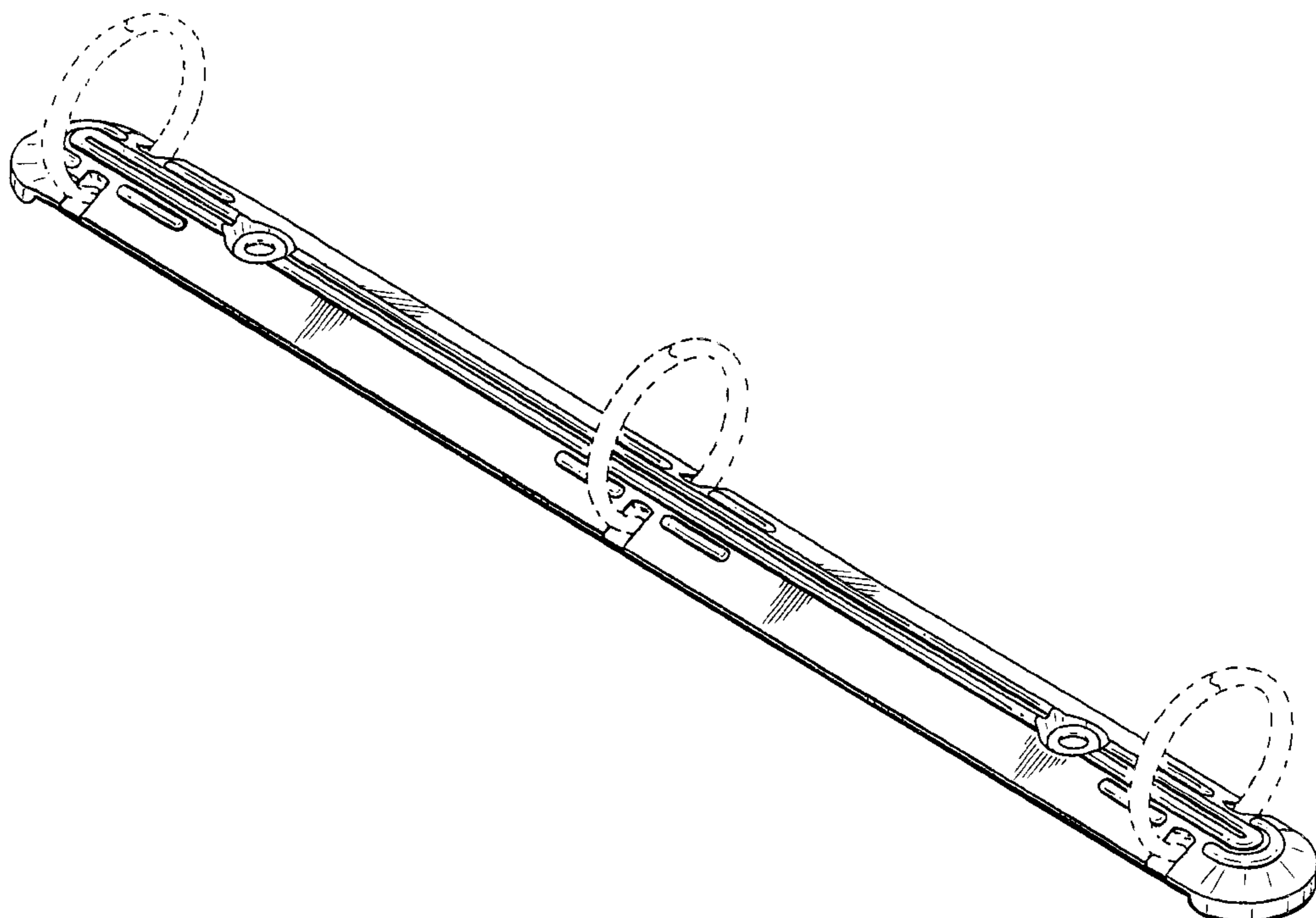
U.S. PATENT DOCUMENTS

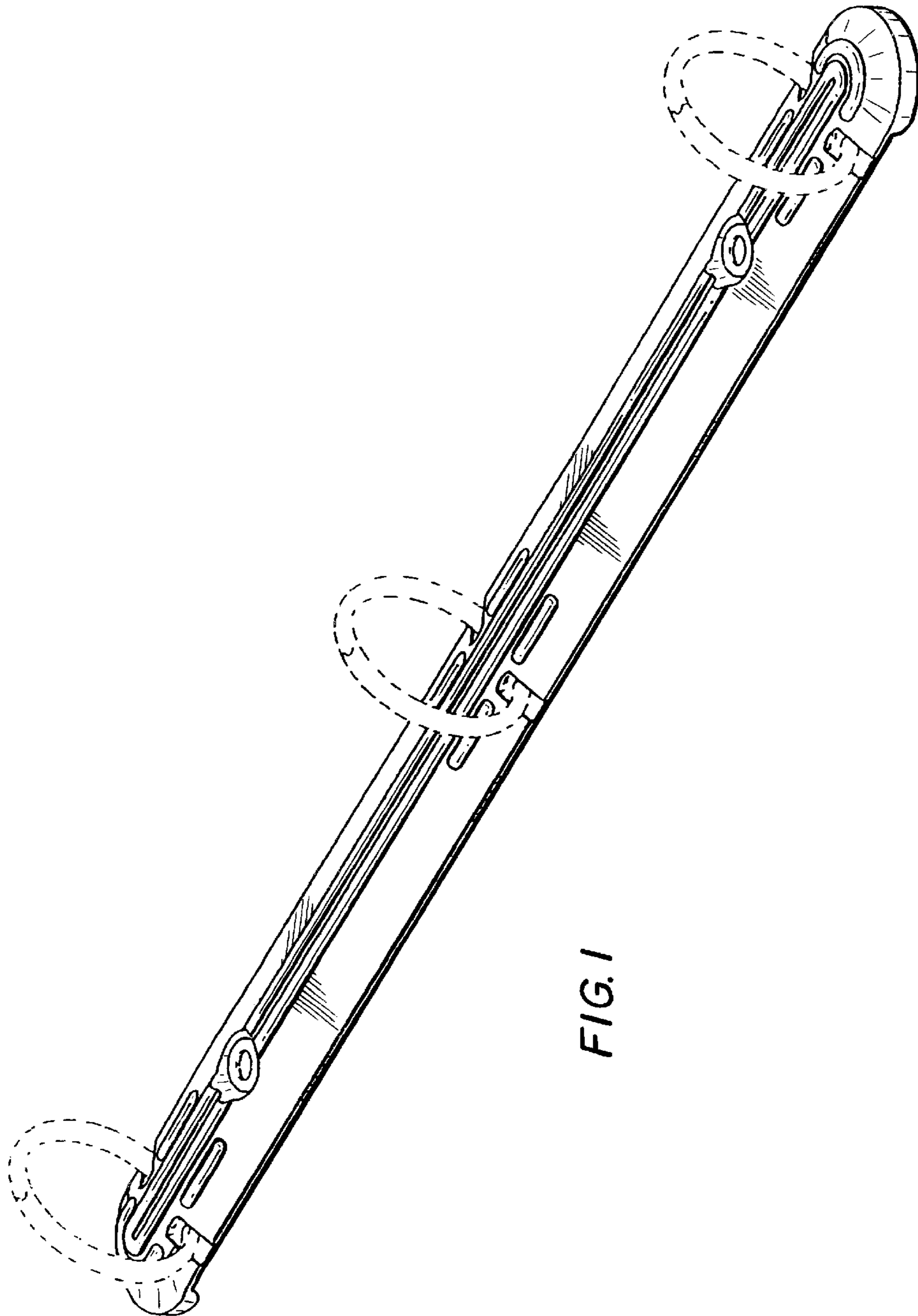
D389,182 S	*	1/1998	Law	D19/32
D389,183 S	*	1/1998	Chan	D19/32
5,718,529 A	*	2/1998	Chan	402/36
5,846,013 A	*	12/1998	To	402/36
D408,851 S	*	4/1999	To	D19/32
6,146,042 A	*	11/2000	To et al.	402/26
D442,223 S	*	5/2001	To	D19/32

* cited by examiner

Primary Examiner—Paula A. Mortimer

1 Claim, 6 Drawing Sheets





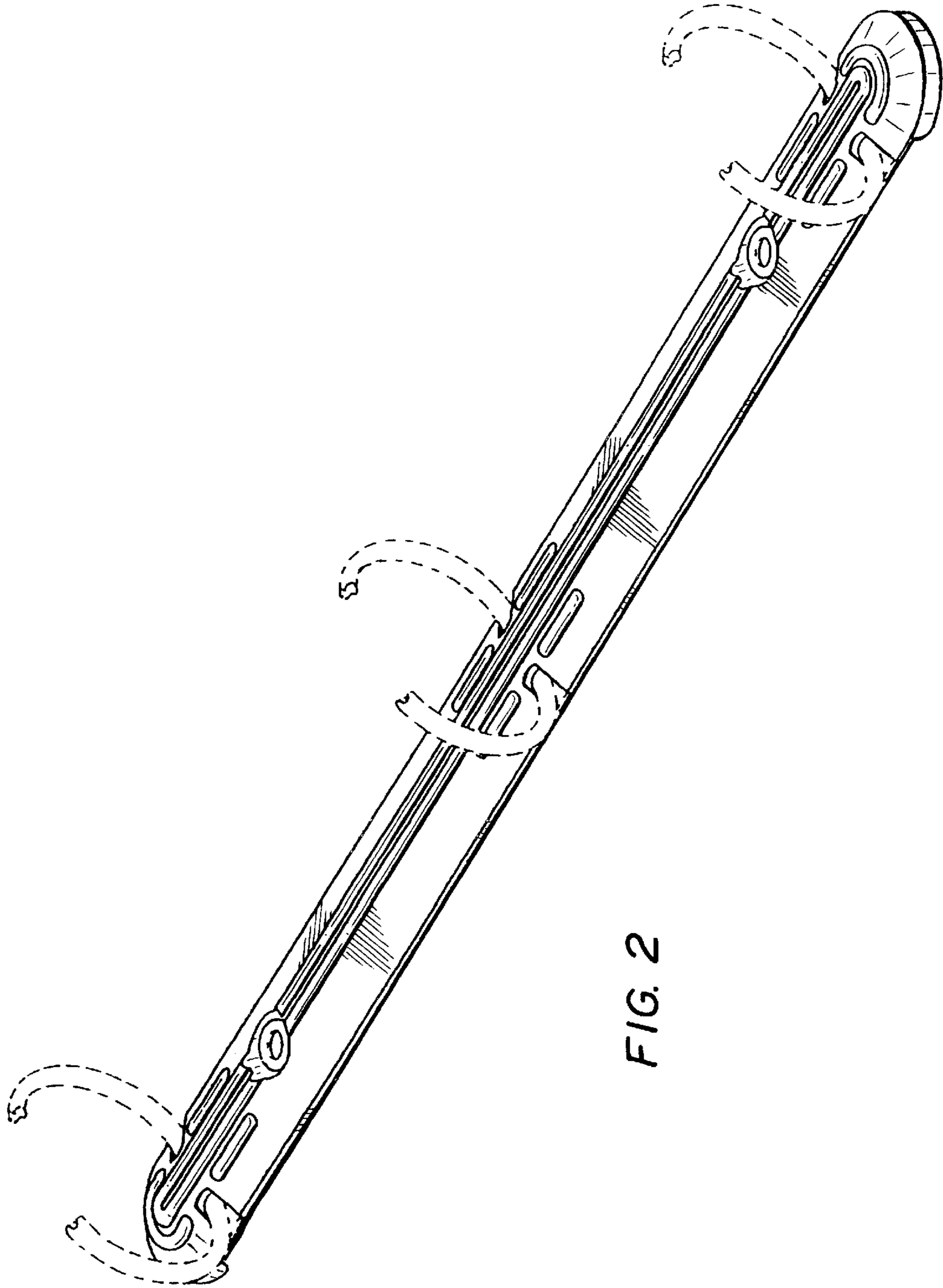


FIG. 2

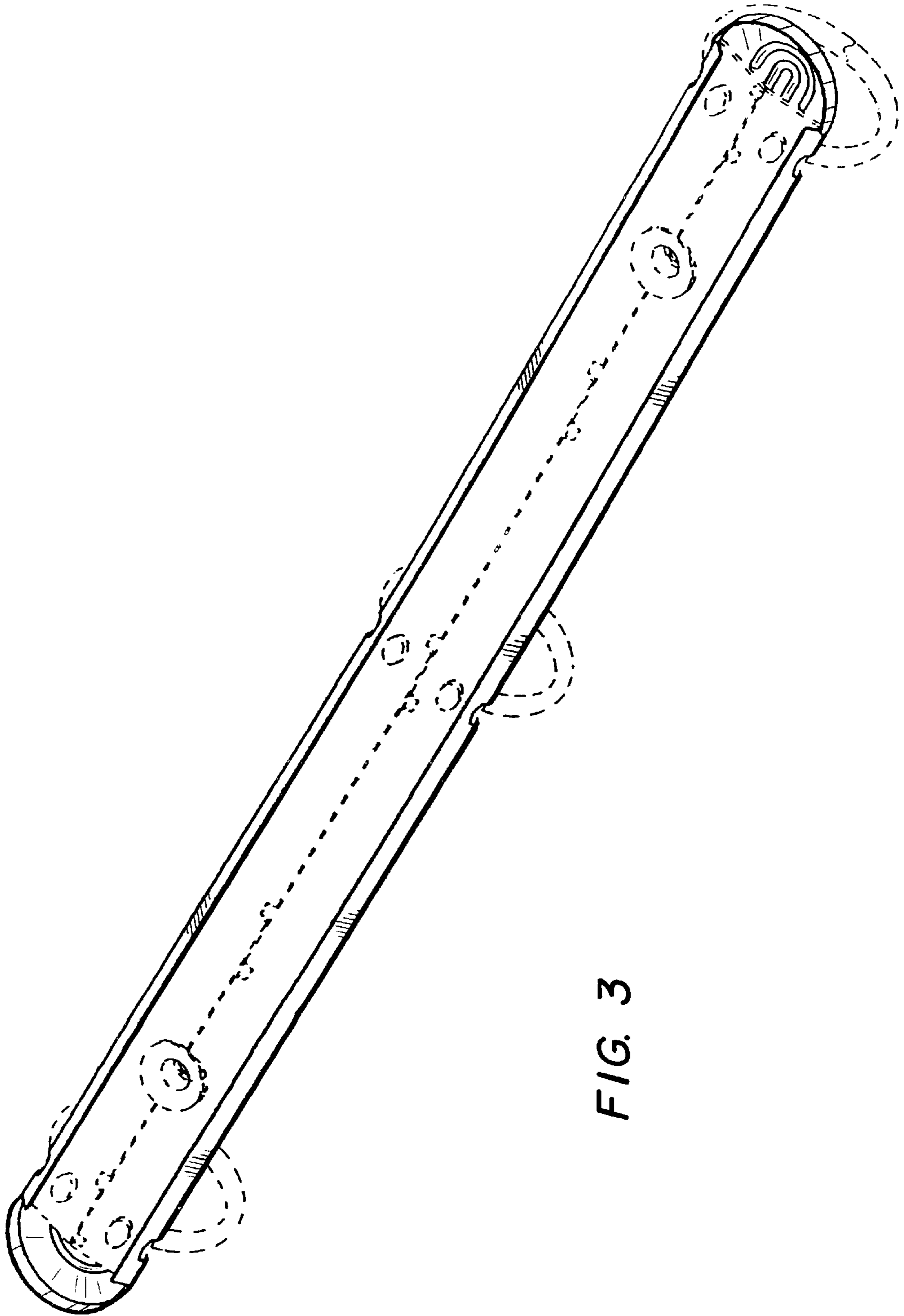


FIG. 3

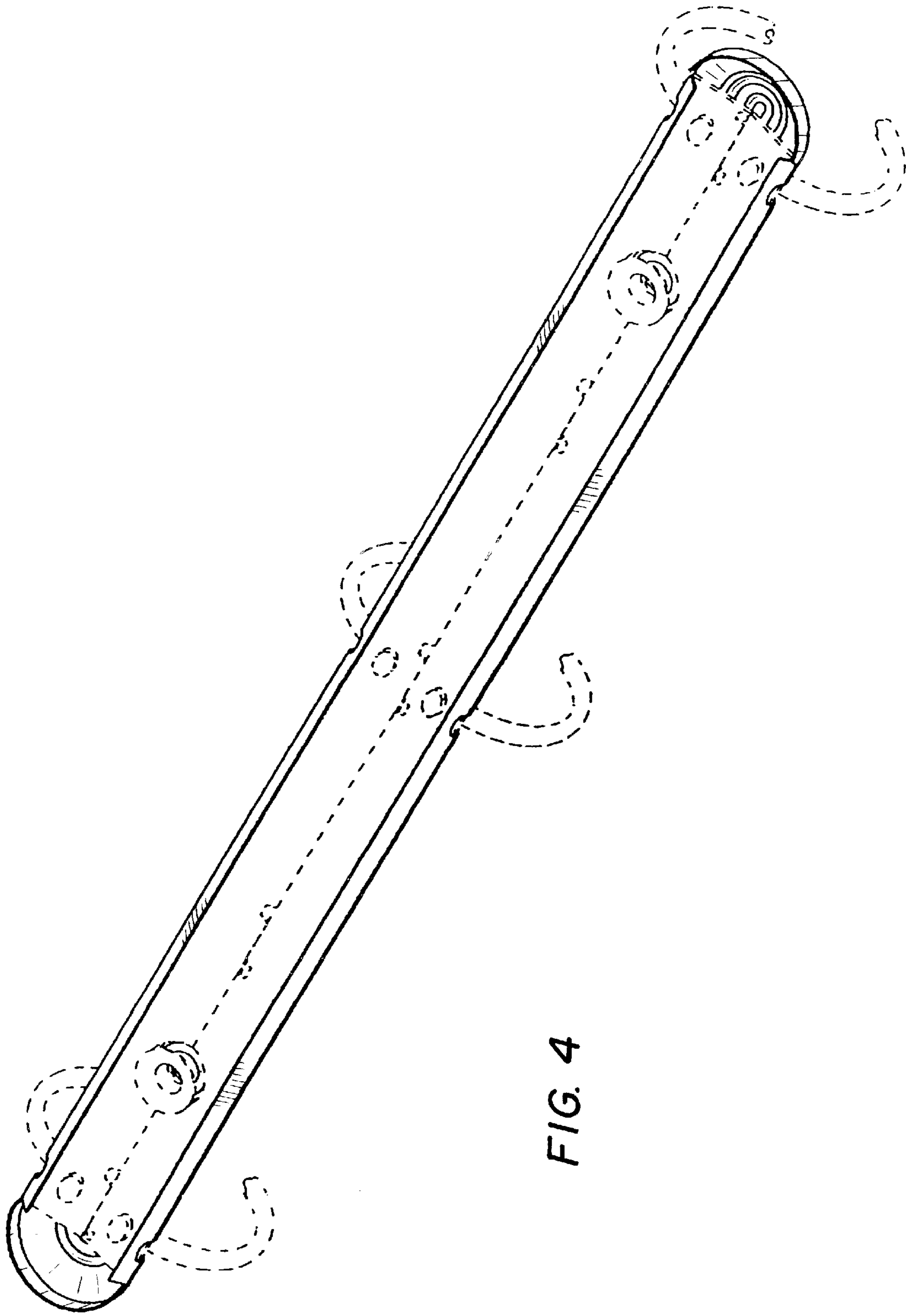


FIG. 4

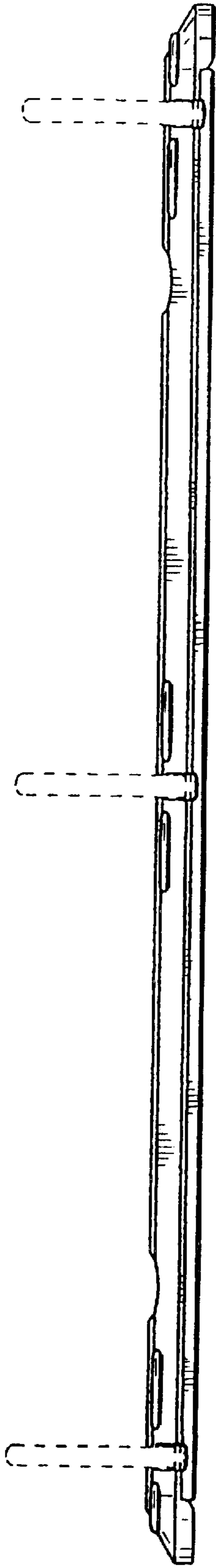


FIG. 5

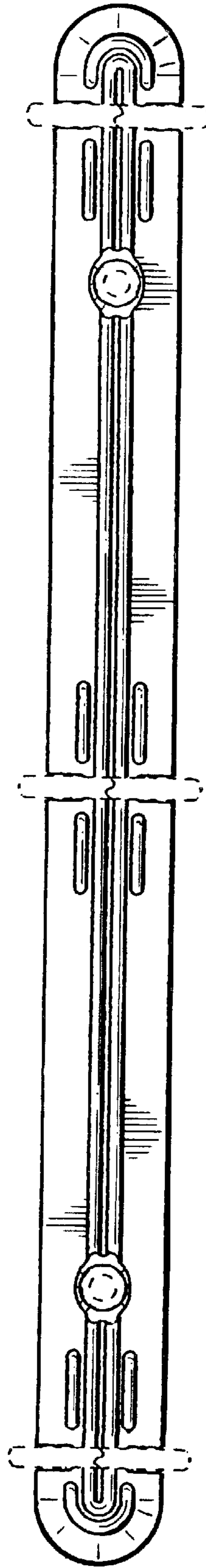


FIG. 6

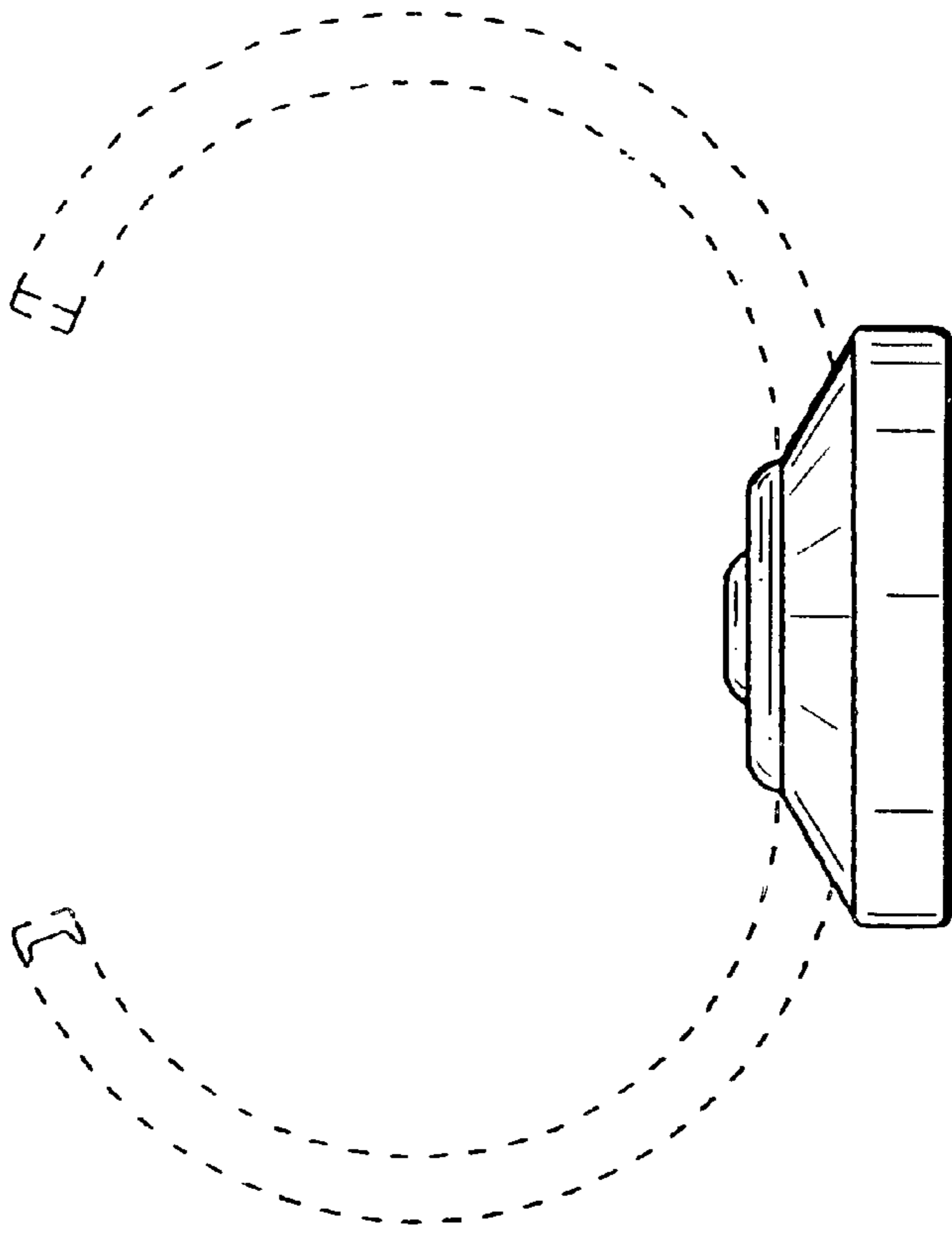


FIG. 7

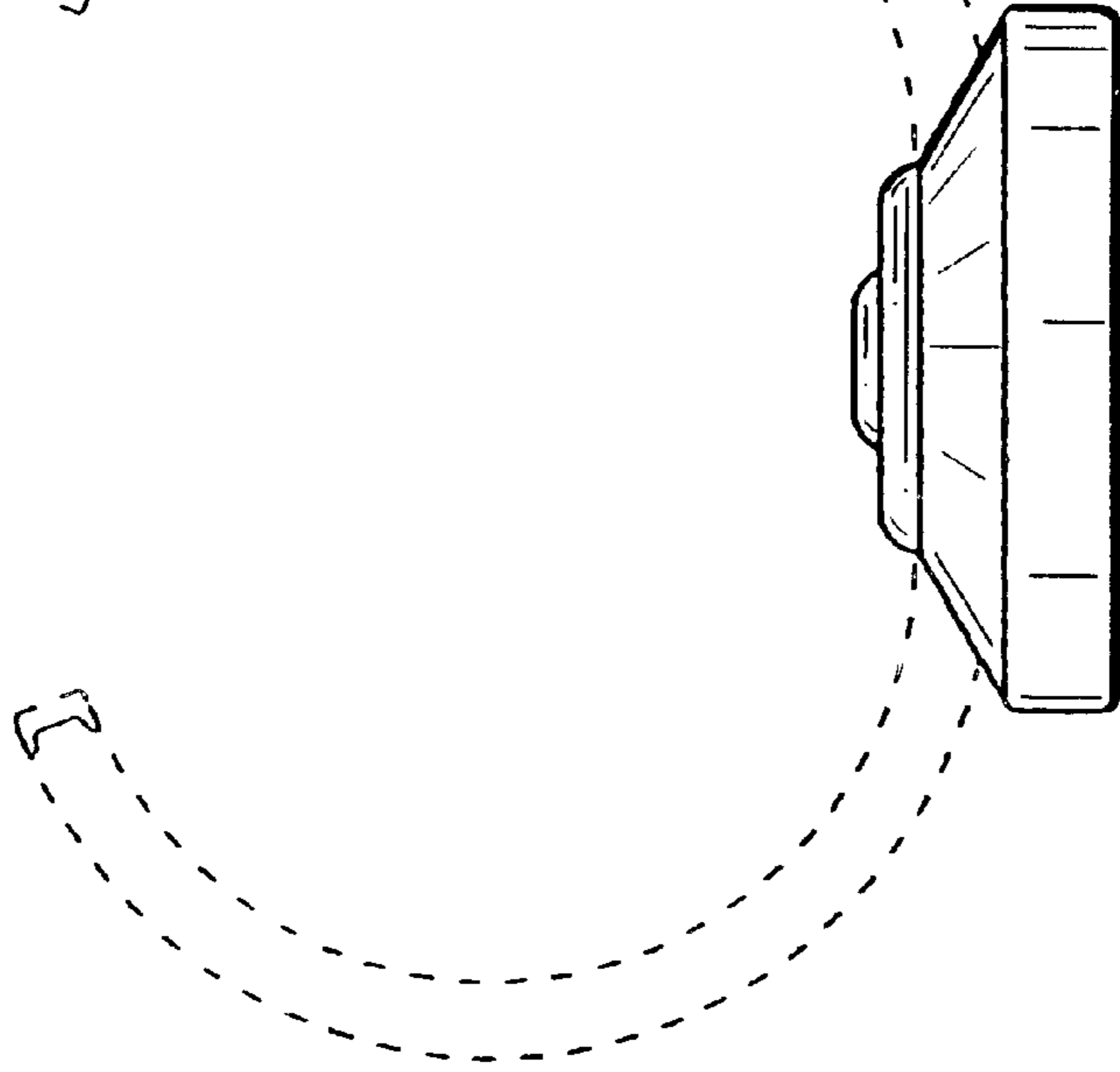


FIG. 8