



US00D459389S

(12) **United States Design Patent**  
**Kaseno**

(10) **Patent No.:** **US D459,389 S**

(45) **Date of Patent:** **\*\* Jun. 25, 2002**

(54) **PRINTER**

(75) Inventor: **Atsushi Kaseno**, Kyoto-fu (JP)

(73) Assignee: **Sharp Kabushiki Kaisha**, Osaka (JP)

(\*\*) Term: **14 Years**

(21) Appl. No.: **29/144,063**

(22) Filed: **Jun. 26, 2001**

(30) **Foreign Application Priority Data**

Dec. 26, 2000 (JP) ..... 2000-036987

(51) **LOC (7) Cl.** ..... **14-02**

(52) **U.S. Cl.** ..... **D18/50**

(58) **Field of Search** ..... D18/36, 37, 50,  
D18/54-55; 400/613, 613.1-613.4, 691-694,  
690.1-690.4

(56) **References Cited**

**U.S. PATENT DOCUMENTS**

- D393,870 S \* 4/1998 Kobayashi et al. .... D18/55
- D413,919 S \* 9/1999 Kobayashi et al. .... D18/54
- D427,235 S \* 6/2000 Kaseno et al. .... D18/54

- D441,394 S \* 5/2001 Kobayashi et al. .... D18/54
- D441,783 S \* 5/2001 Kawahara et al. .... D18/55
- D442,218 S \* 5/2001 Kobayashi et al. .... D18/55
- D445,823 S \* 7/2001 Kawahara et al. .... D18/50
- D448,043 S \* 9/2001 Kawahara et al. .... D18/50
- D451,130 S \* 11/2001 Clark, III et al. .... D18/55

\* cited by examiner

*Primary Examiner*—Cathy Anne MacCormac

(74) *Attorney, Agent, or Firm*—Nixon & Vanderhye

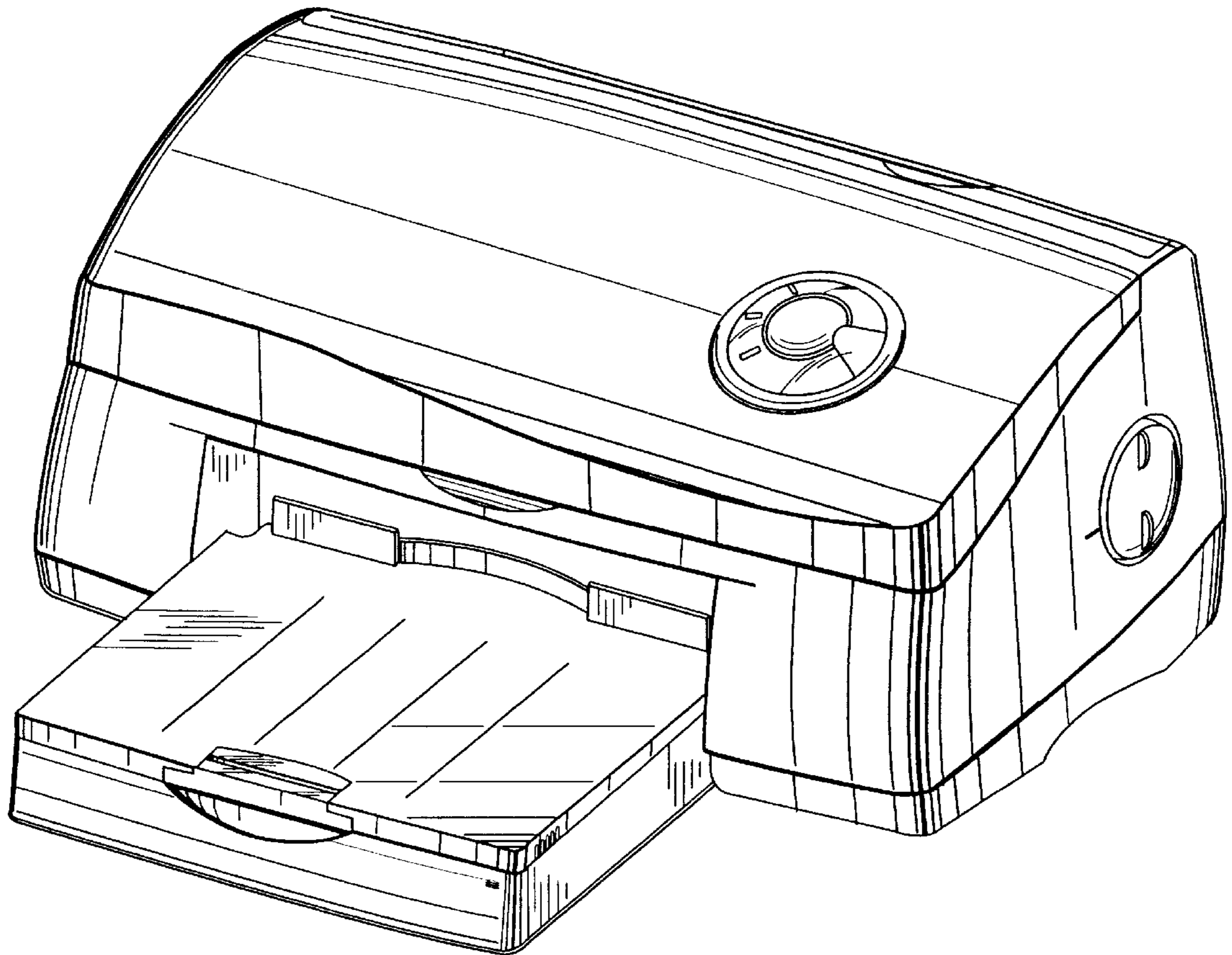
(57) **CLAIM**

The ornamental design for a “printer”, as shown and described.

**DESCRIPTION**

FIG. 1 is a top, front and right side perspective view of a printer according to my design;  
 FIG. 2 is a front elevational view thereof;  
 FIG. 3 is a rear elevational view thereof;  
 FIG. 4 is a top plan view thereof;  
 FIG. 5 is a bottom plan view thereof;  
 FIG. 6 is a right side elevational view thereof; and,  
 FIG. 7 is a left side elevational view thereof.

**1 Claim, 4 Drawing Sheets**



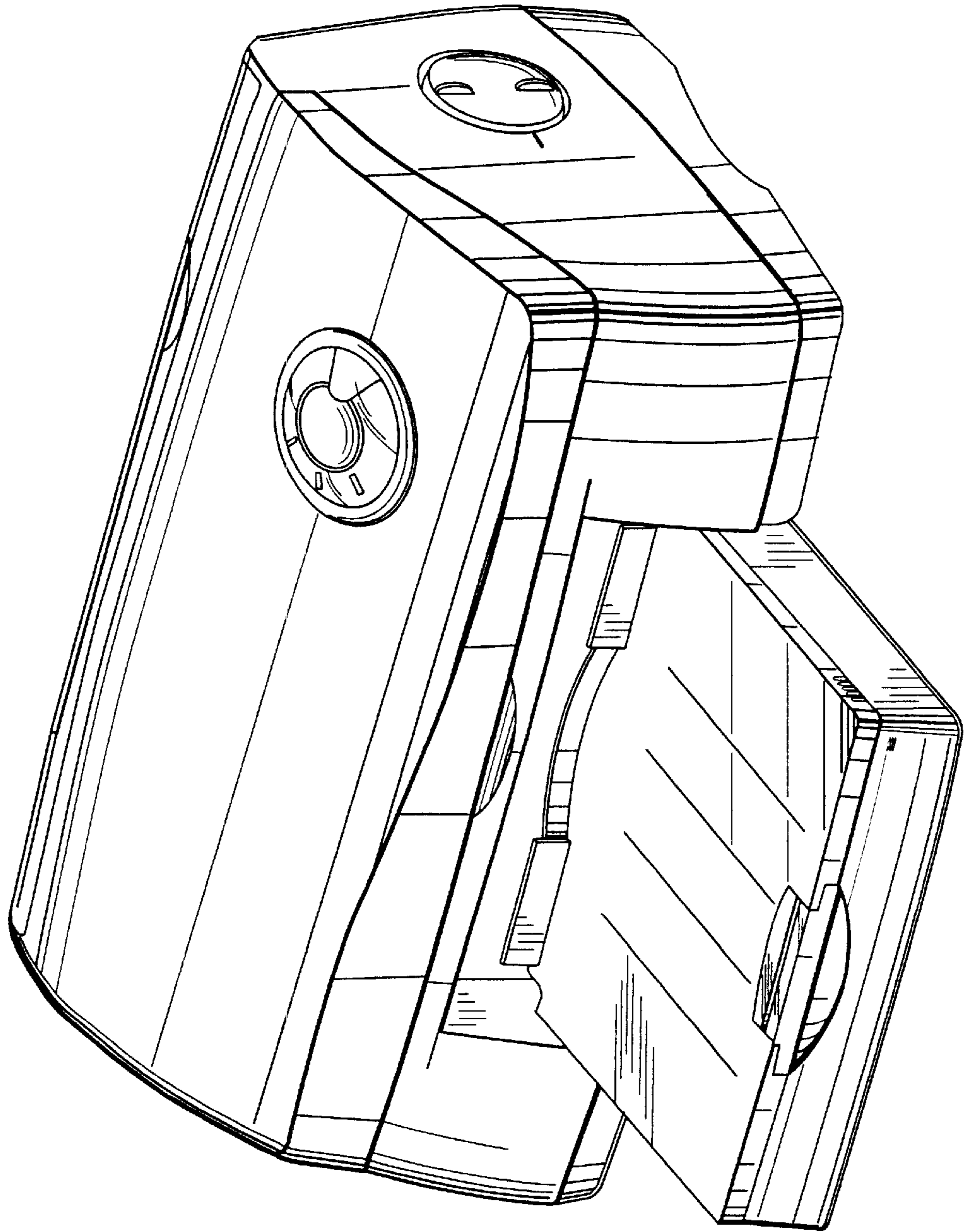
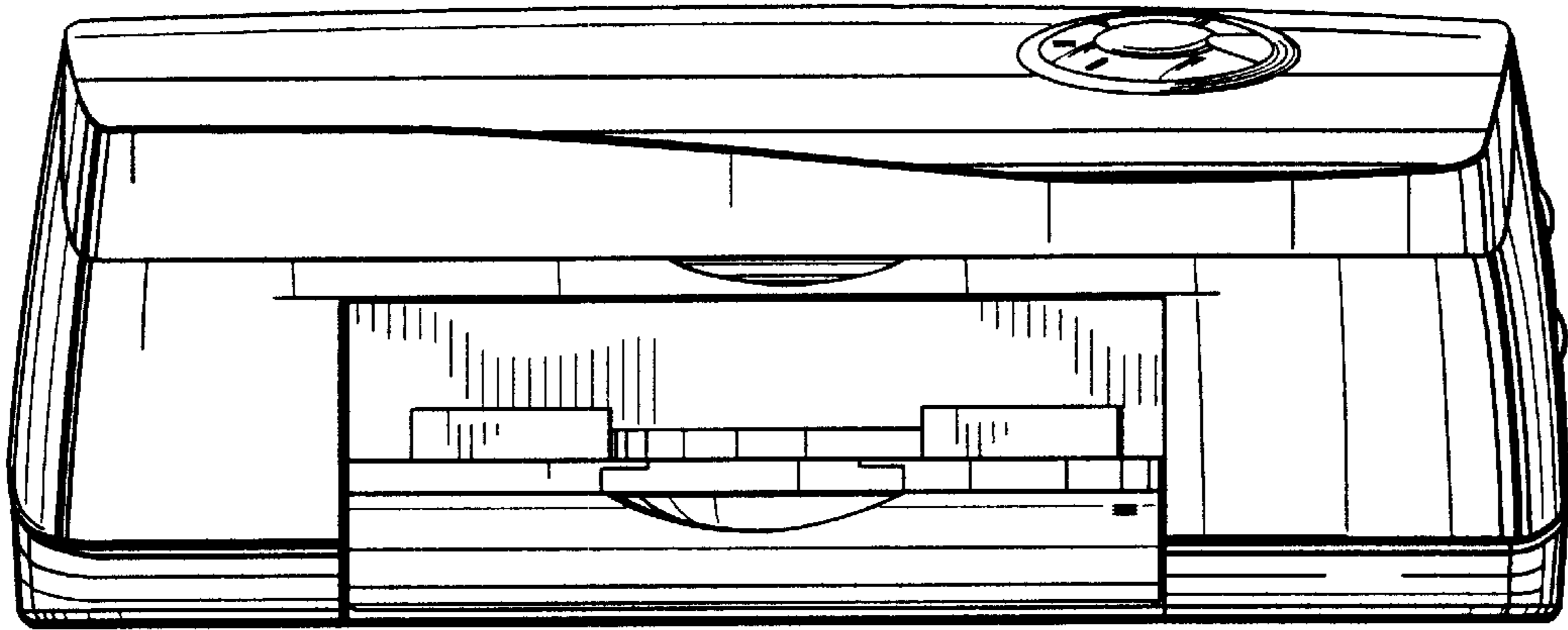
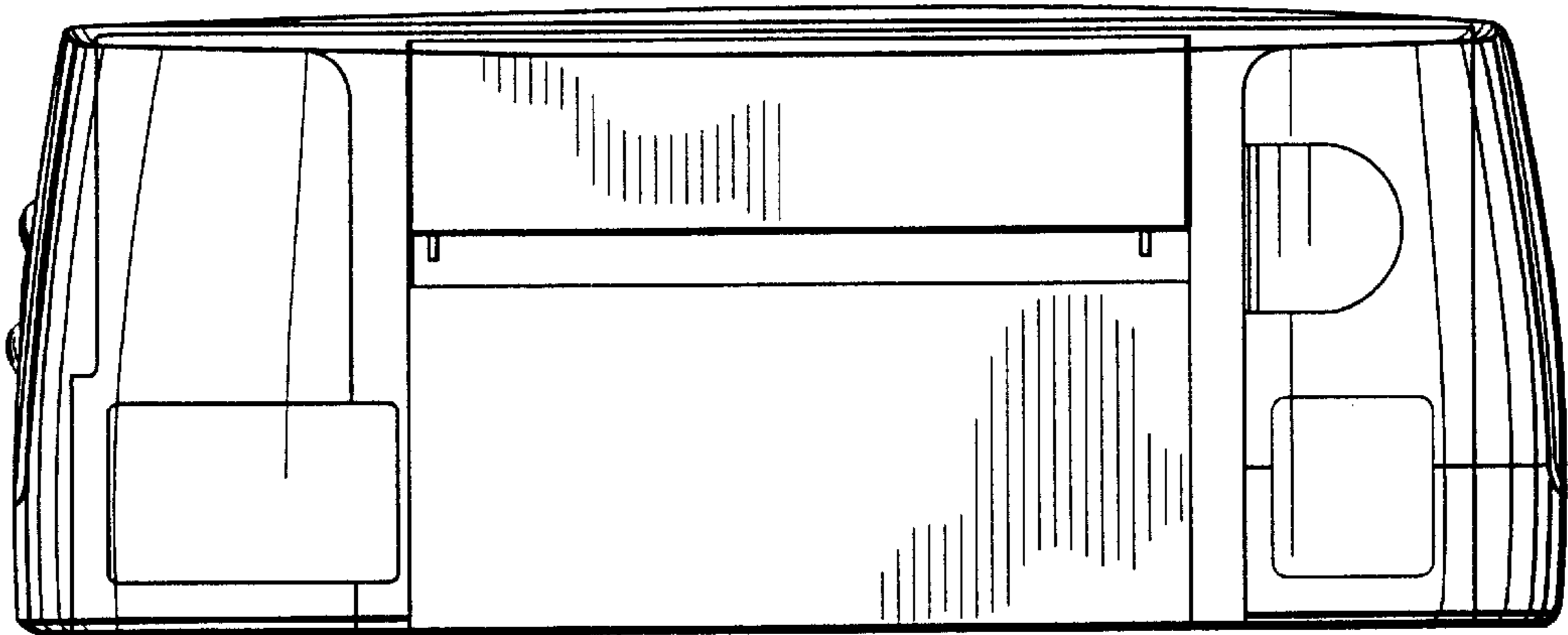


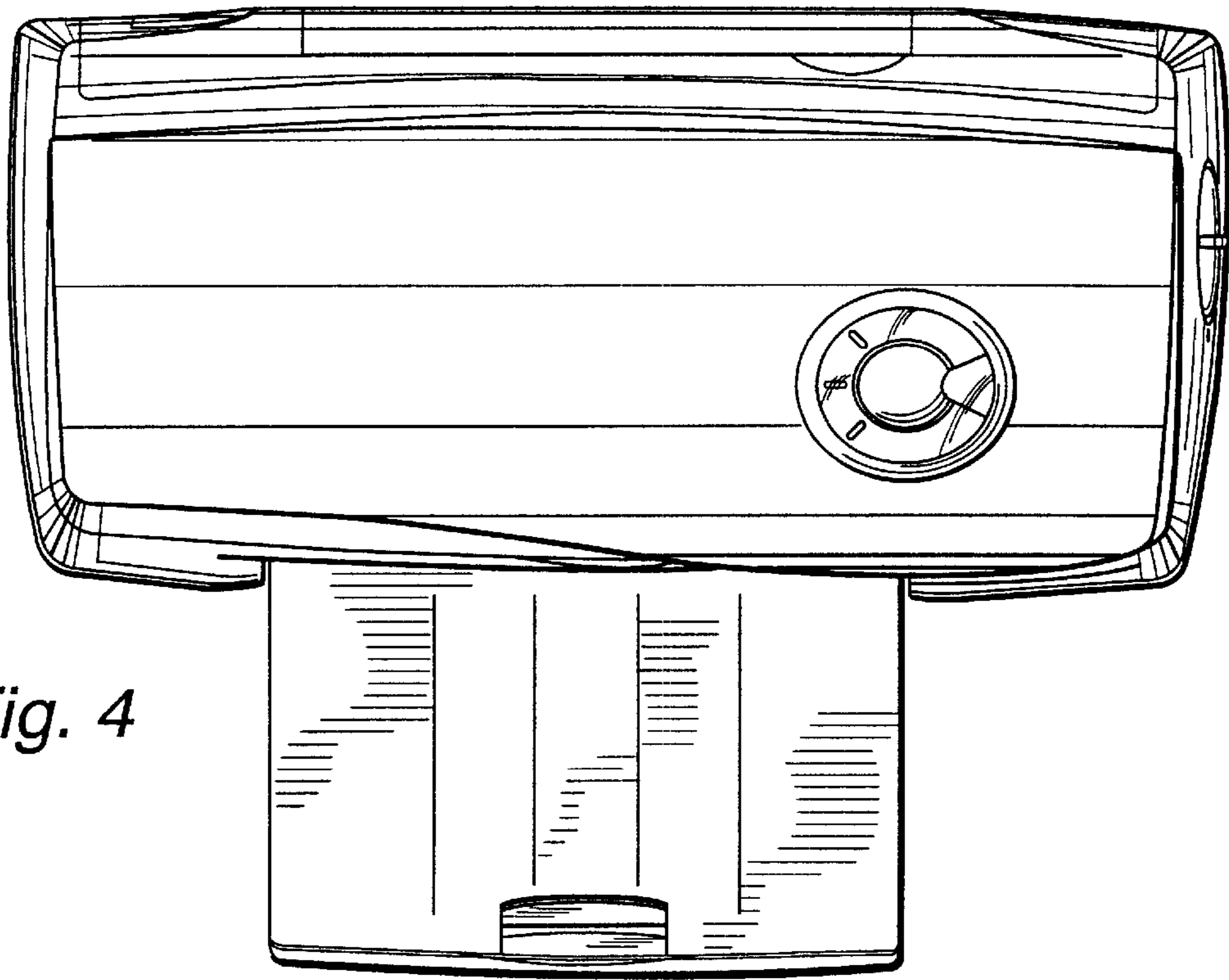
Fig. 1



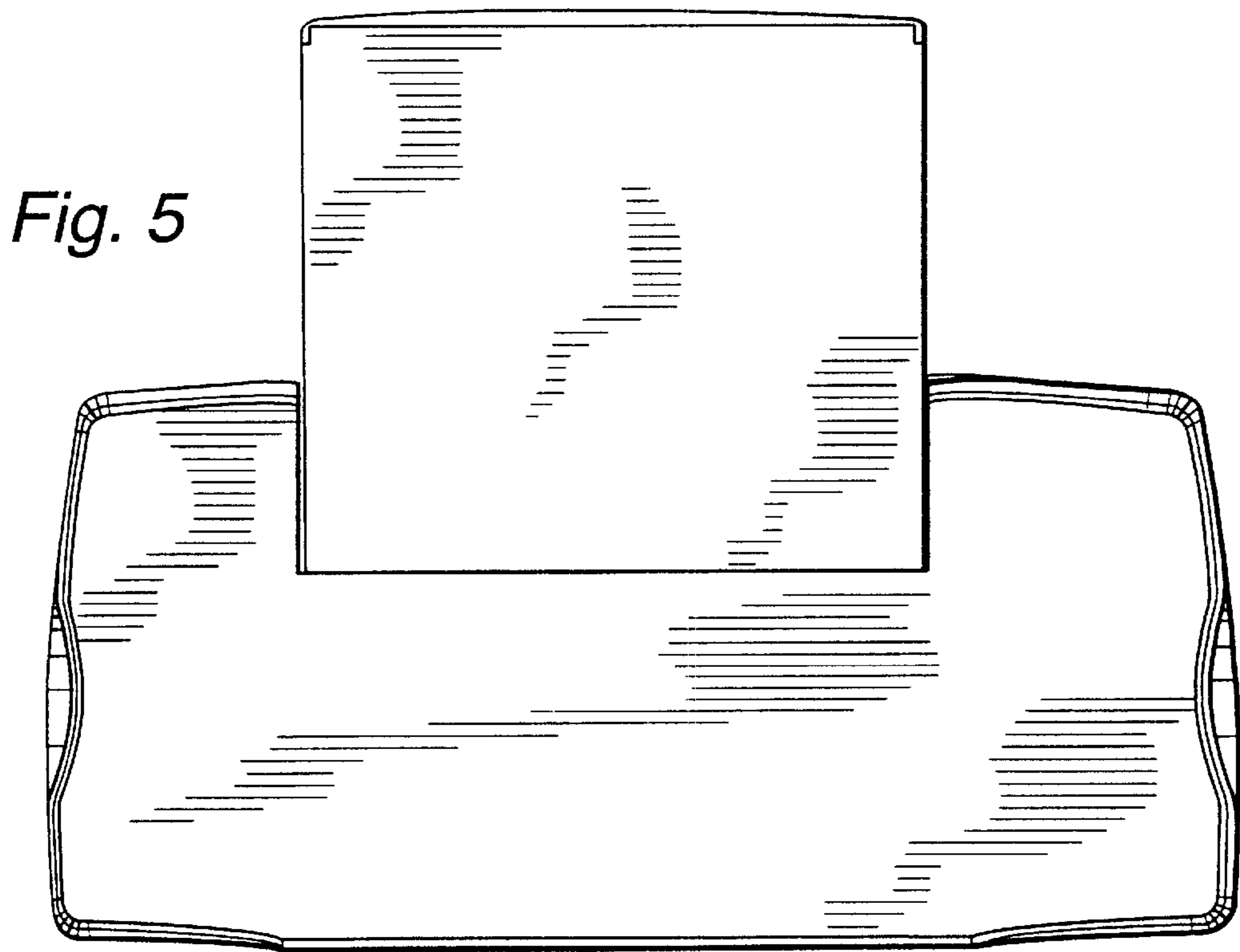
*Fig. 2*



*Fig. 3*

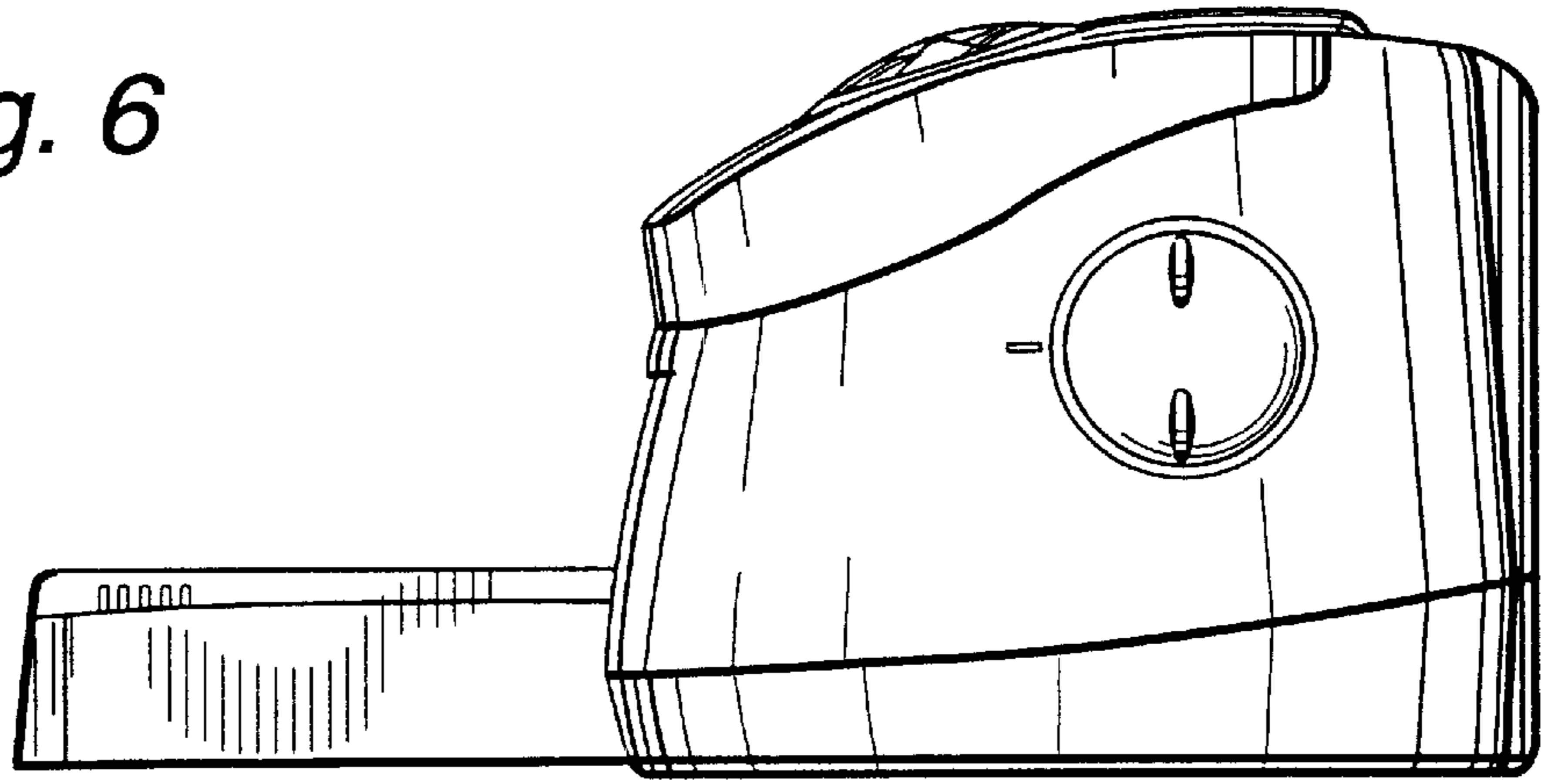


*Fig. 4*



*Fig. 5*

*Fig. 6*



*Fig. 7*

