



US00D459388S

(12) **United States Design Patent**
Irie et al.

(10) **Patent No.:** **US D459,388 S**

(45) **Date of Patent:** **** Jun. 25, 2002**

(54) **TONER CARTRIDGE**

D381,677 S * 7/1997 Makino D18/43
D448,795 S * 10/2001 Kusanagi et al. D18/43

(75) Inventors: **Norio Irie; Takeshi Okoshi; Hideo Nagura**, all of Iwatsuki (JP)

* cited by examiner

(73) Assignee: **Fuji Xerox Co., Ltd.**, Tokyo (JP)

Primary Examiner—Caron D. Veynar

(74) *Attorney, Agent, or Firm*—Oliff & Berridge, PLC

(**) Term: **14 Years**

(57) **CLAIM**

(21) Appl. No.: **29/148,793**

The ornamental design for a toner cartridge, as shown and described.

(22) Filed: **Sep. 28, 2001**

DESCRIPTION

(30) **Foreign Application Priority Data**

Apr. 9, 2001 (JP) 2001-010196

FIG. 1 is a perspective view of the top, front and left side of a toner cartridge showing our new design;

(51) **LOC (7) Cl.** **16-03**

FIG. 2 is a perspective view of the bottom, rear and right side thereof;

(52) **U.S. Cl.** **D18/43**

FIG. 3 is a front thereof;

(58) **Field of Search** D18/36, 40, 43,
D18/56; 222/DIG. 1; 399/24-28, 61, 99,
106, 111, 262

FIG. 4 is a top plan view thereof;

FIG. 5 is a left side view thereof;

FIG. 6 is a right side view thereof;

FIG. 7 is a rear view thereof; and,

FIG. 8 is a bottom view thereof.

(56) **References Cited**

U.S. PATENT DOCUMENTS

D363,305 S * 10/1995 Nishioka et al. D18/43

1 Claim, 4 Drawing Sheets

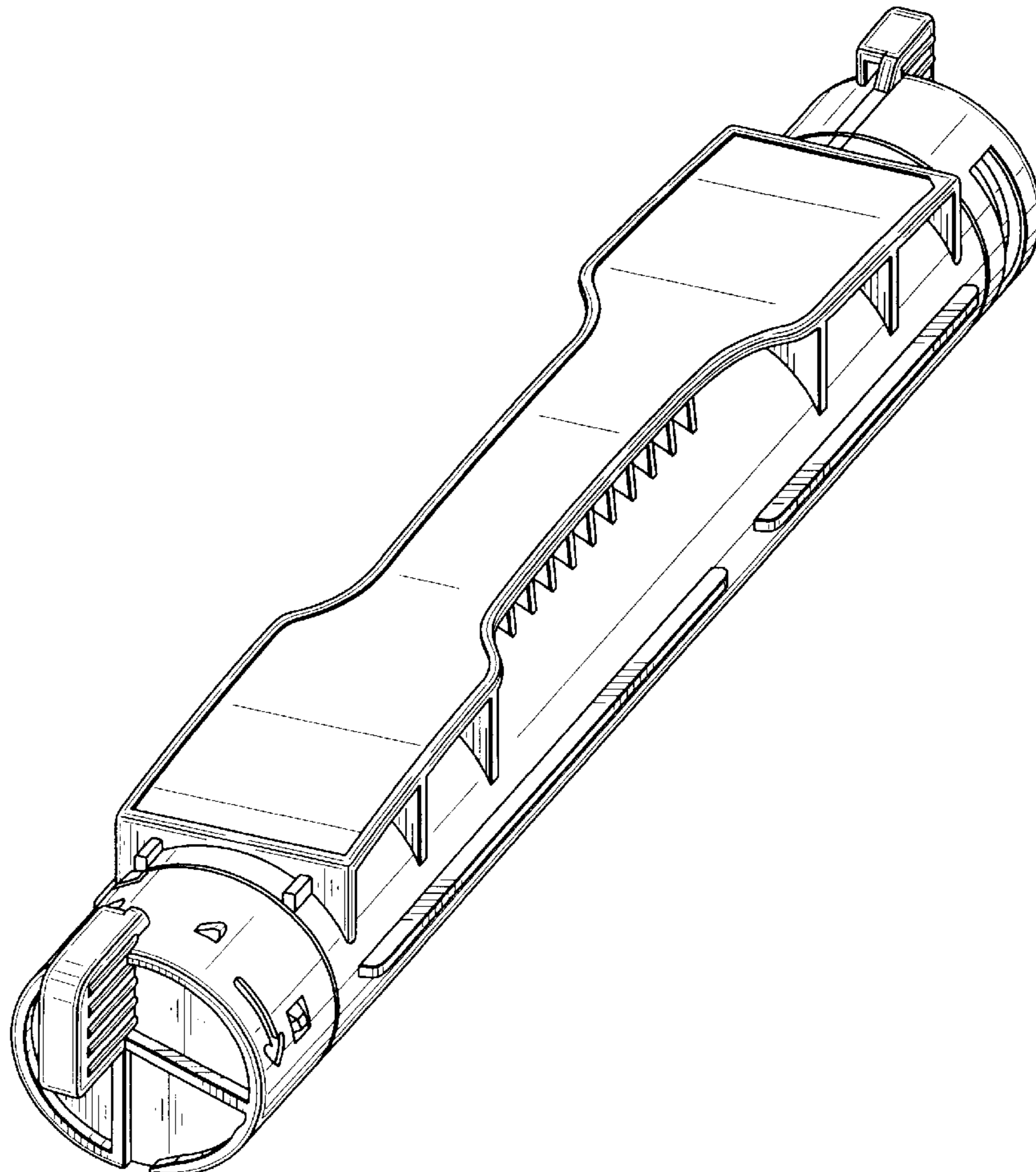


FIG. 1

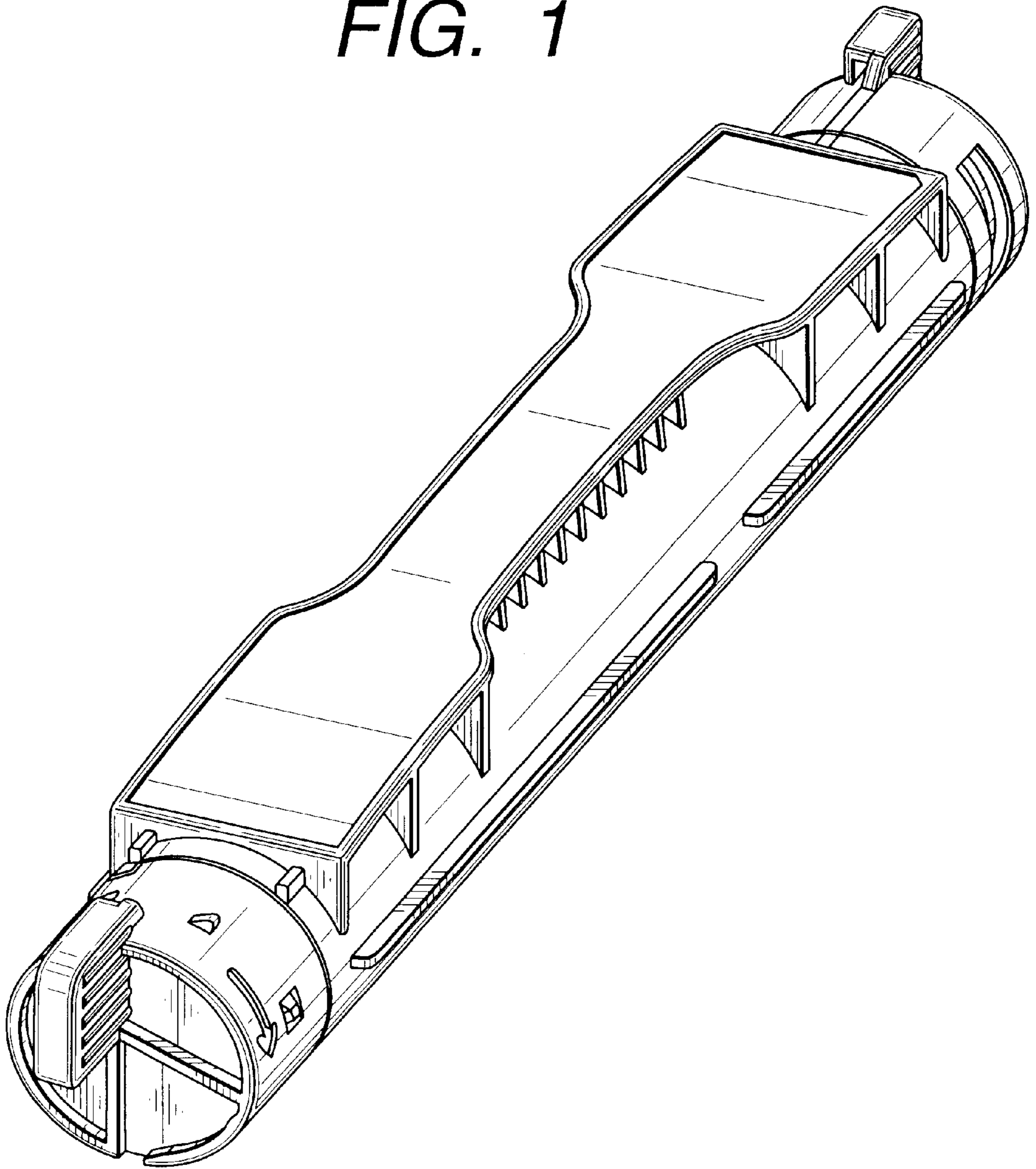


FIG. 2

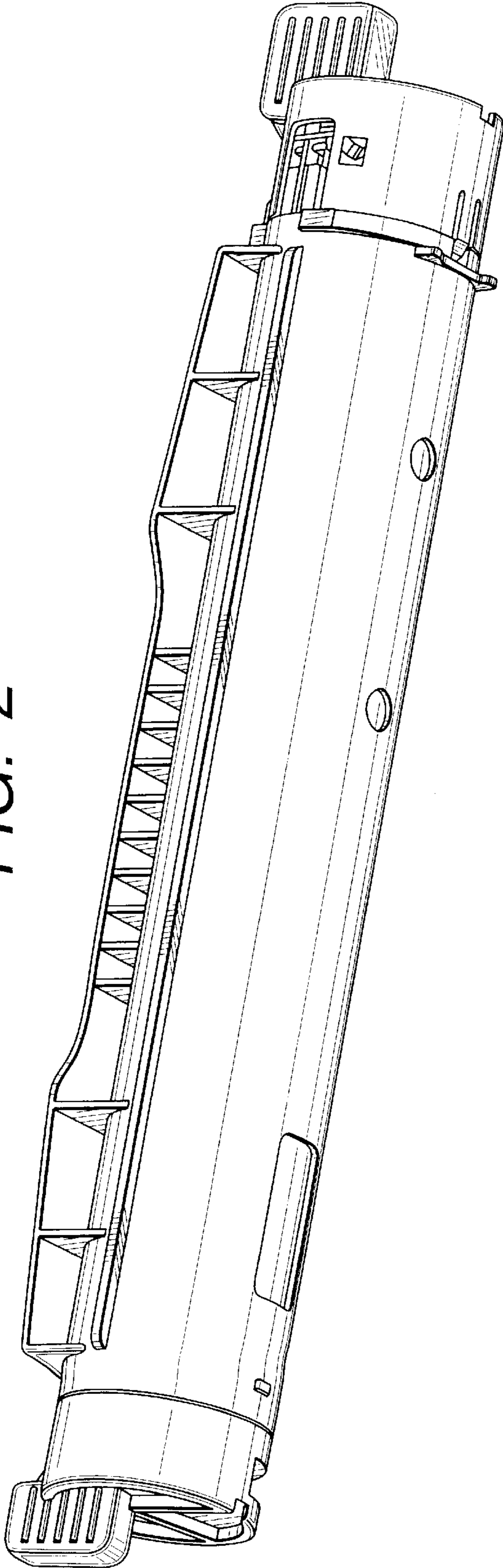


FIG. 3

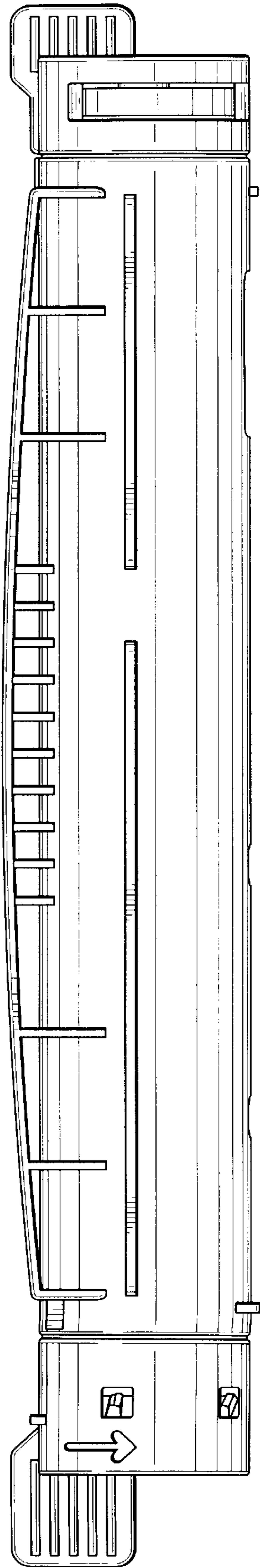


FIG. 4

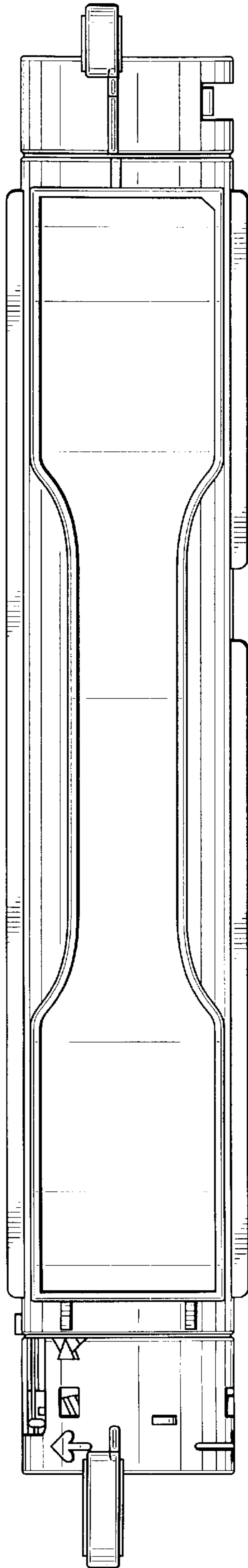


FIG. 5

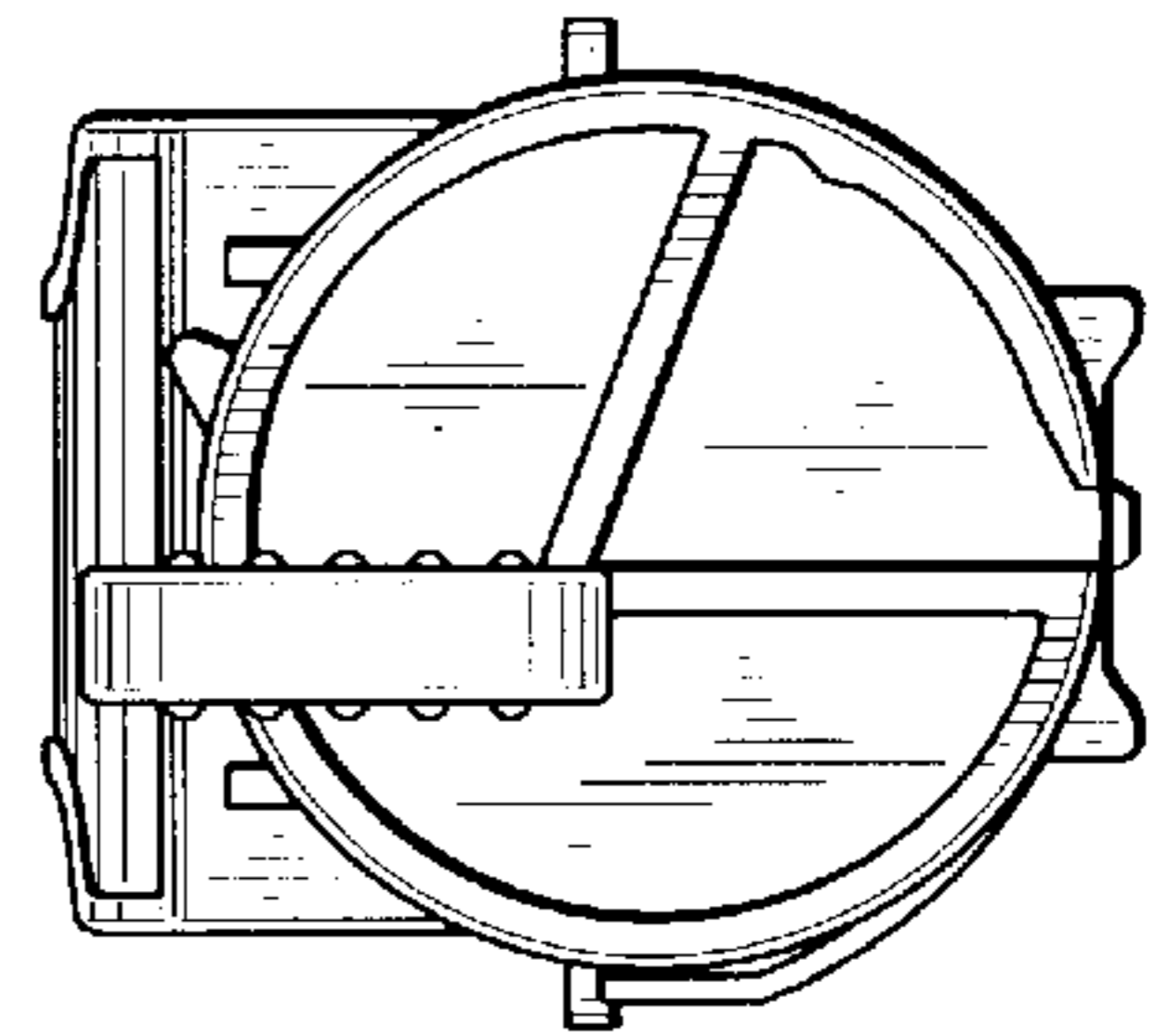


FIG. 6

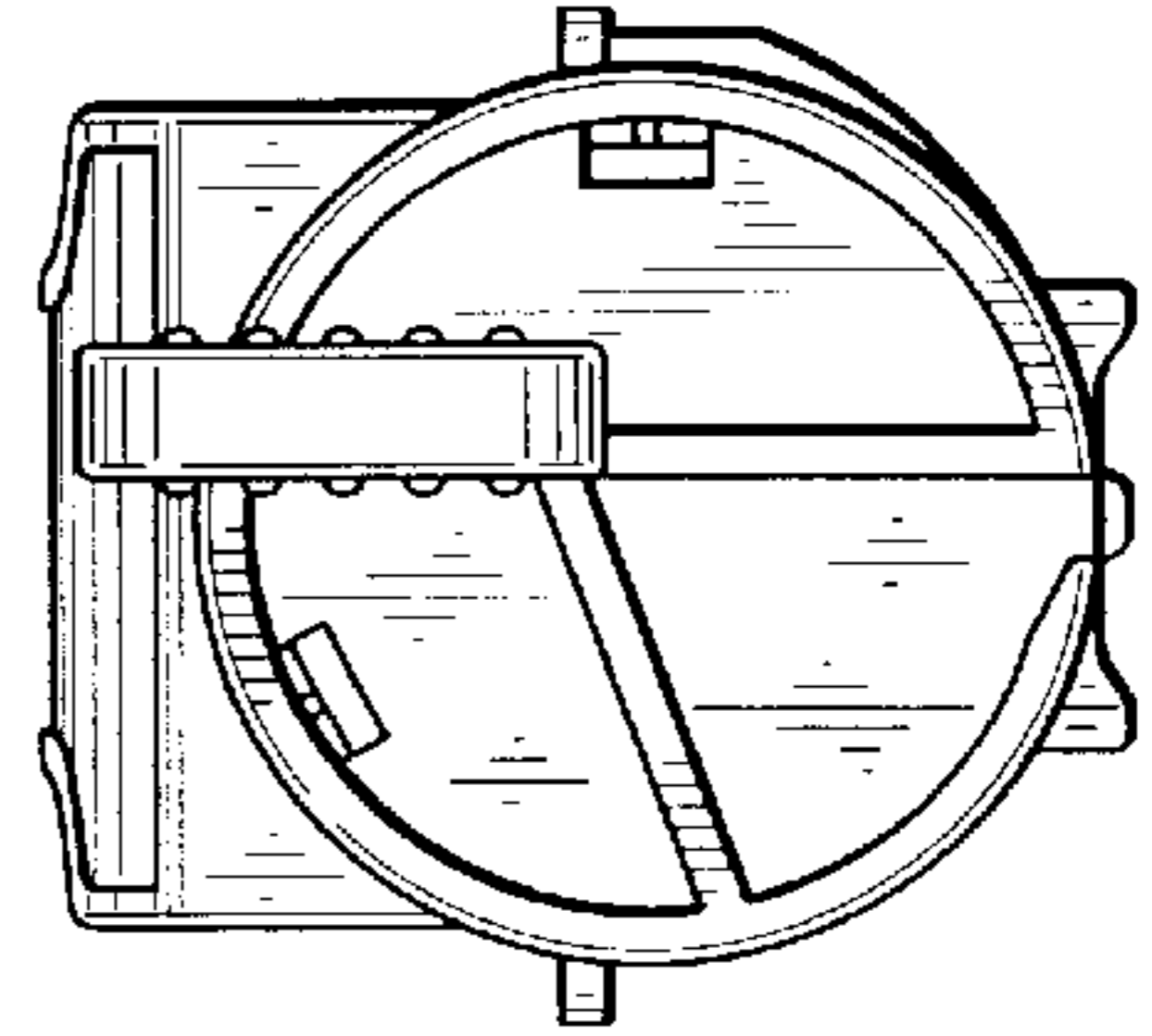


FIG. 7

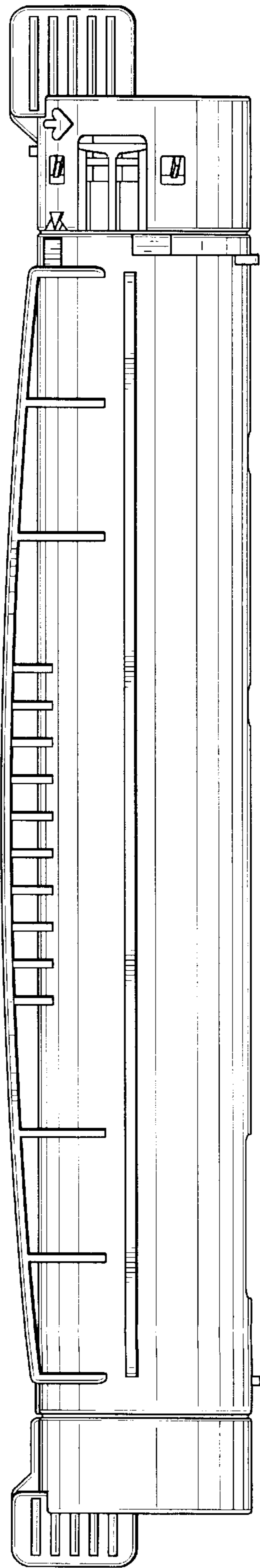


FIG. 8

