



US00D459380S

(12) **United States Design Patent**
Brickus et al.

(10) **Patent No.:** **US D459,380 S**

(45) **Date of Patent:** **** Jun. 25, 2002**

(54) **FOLDED PHOTOGRAPHIC APPARATUS**

4,688,913 A * 8/1987 Whiteside et al. 396/177

D295,051 S * 4/1988 Johnson et al. D16/211

D315,569 S * 3/1991 Betts et al. D16/211

(75) Inventors: **Jonas R. Brickus**, Boston; **Jose M. Perez**, Cambridge; **Gerd Schmieta**, Boston, all of MA (US); **Mark Biasotti**, San Jose, CA (US)

* cited by examiner

Primary Examiner—Adir Aronovich

(74) *Attorney, Agent, or Firm*—Paul M. Coryea

(73) Assignee: **Polaroid Corporation**, Cambridge, MA (US)

(57) **CLAIM**

(**) Term: **14 Years**

The ornamental design for a folded photographic apparatus, as described and shown.

(21) Appl. No.: **29/128,731**

DESCRIPTION

(22) Filed: **Aug. 30, 2000**

(51) **LOC (7) Cl.** **16-01**

FIG. 1 is a perspective view of a folded photographic apparatus showing our new design;

(52) **U.S. Cl.** **D16/211**

FIG. 2 is a top plan view thereof; and,

(58) **Field of Search** D16/200, 202,

D16/203, 204, 208, 209, 211, 217, 218;

396/177, 178, 348–350, 535–541

FIG. 3 is a bottom plan view thereof;

FIG. 4 is a right side elevational view thereof;

FIG. 5 is a left side elevational view thereof;

FIG. 6 is a front elevational view thereof; and,

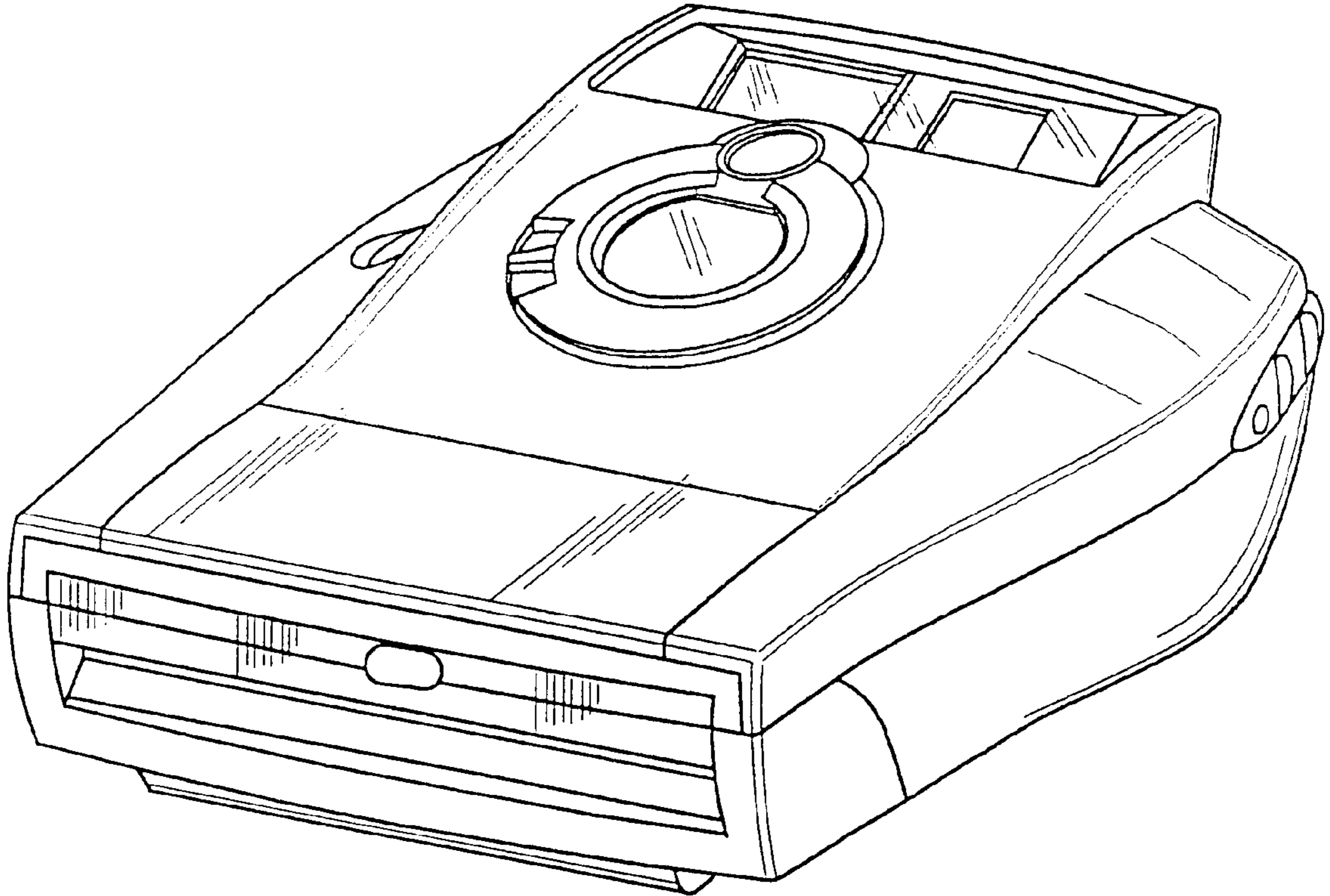
FIG. 7 is a rear elevational view thereof.

(56) **References Cited**

U.S. PATENT DOCUMENTS

4,106,039 A * 8/1978 Fukuda 396/350

1 Claim, 4 Drawing Sheets



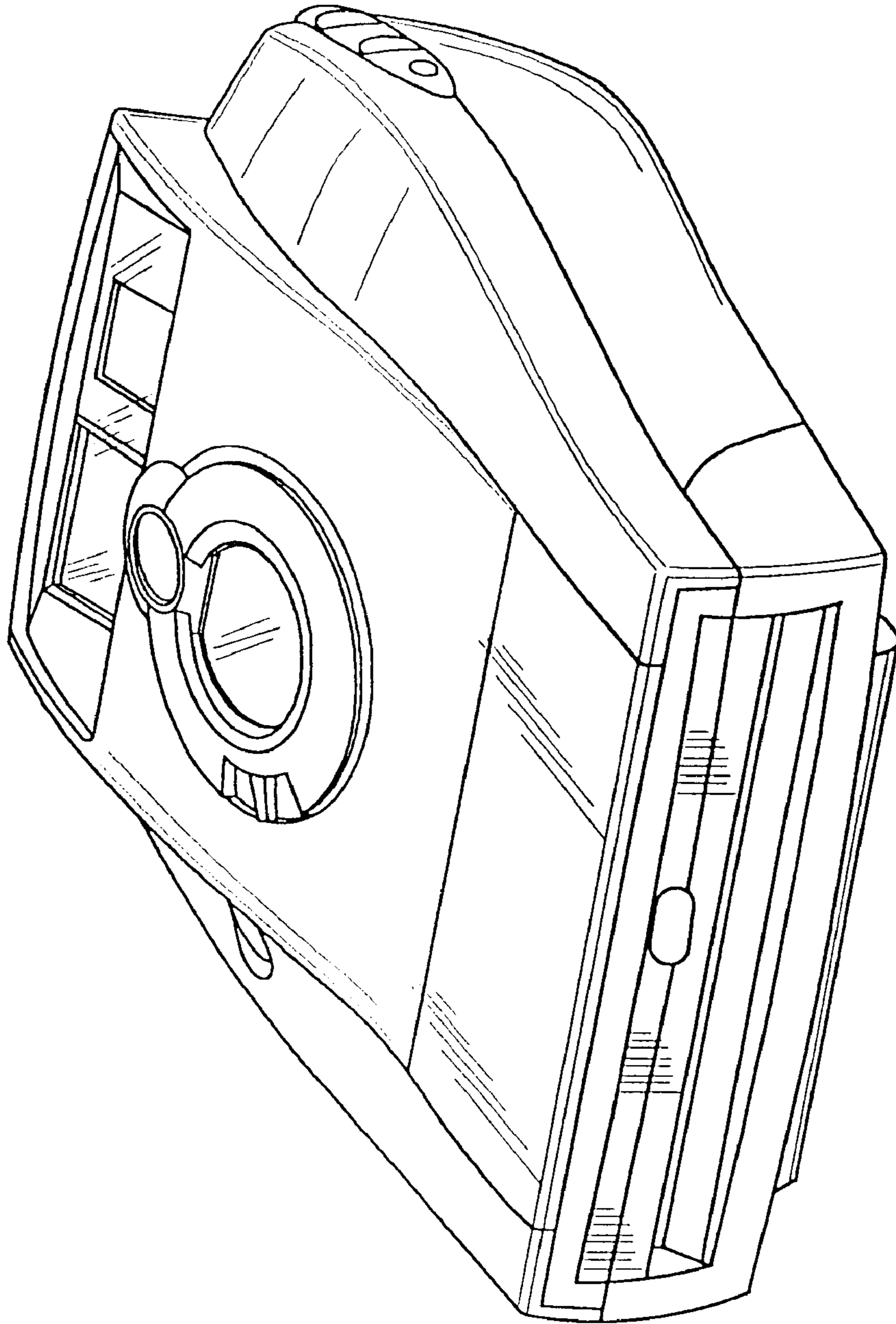


FIG. 1

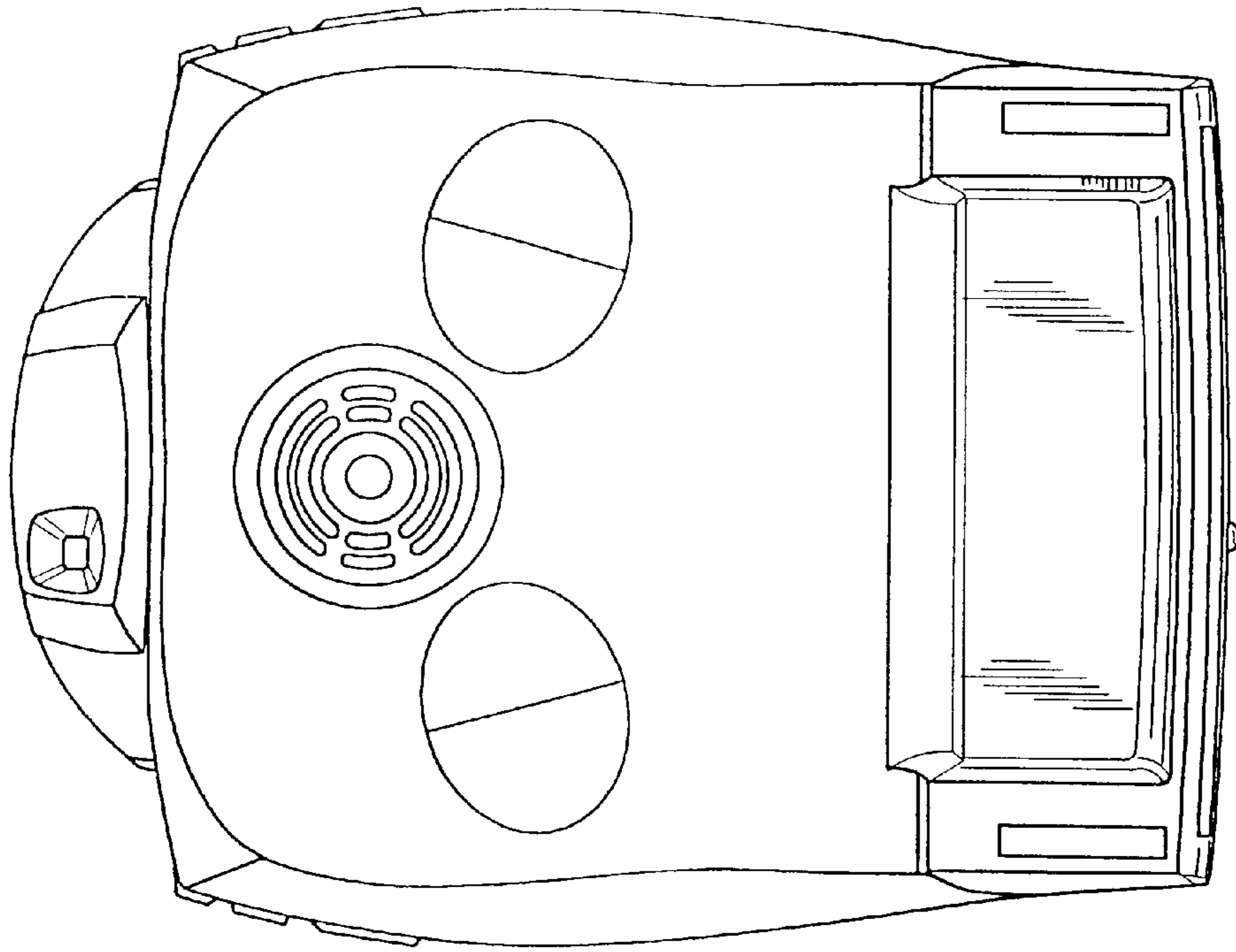


FIG. 3

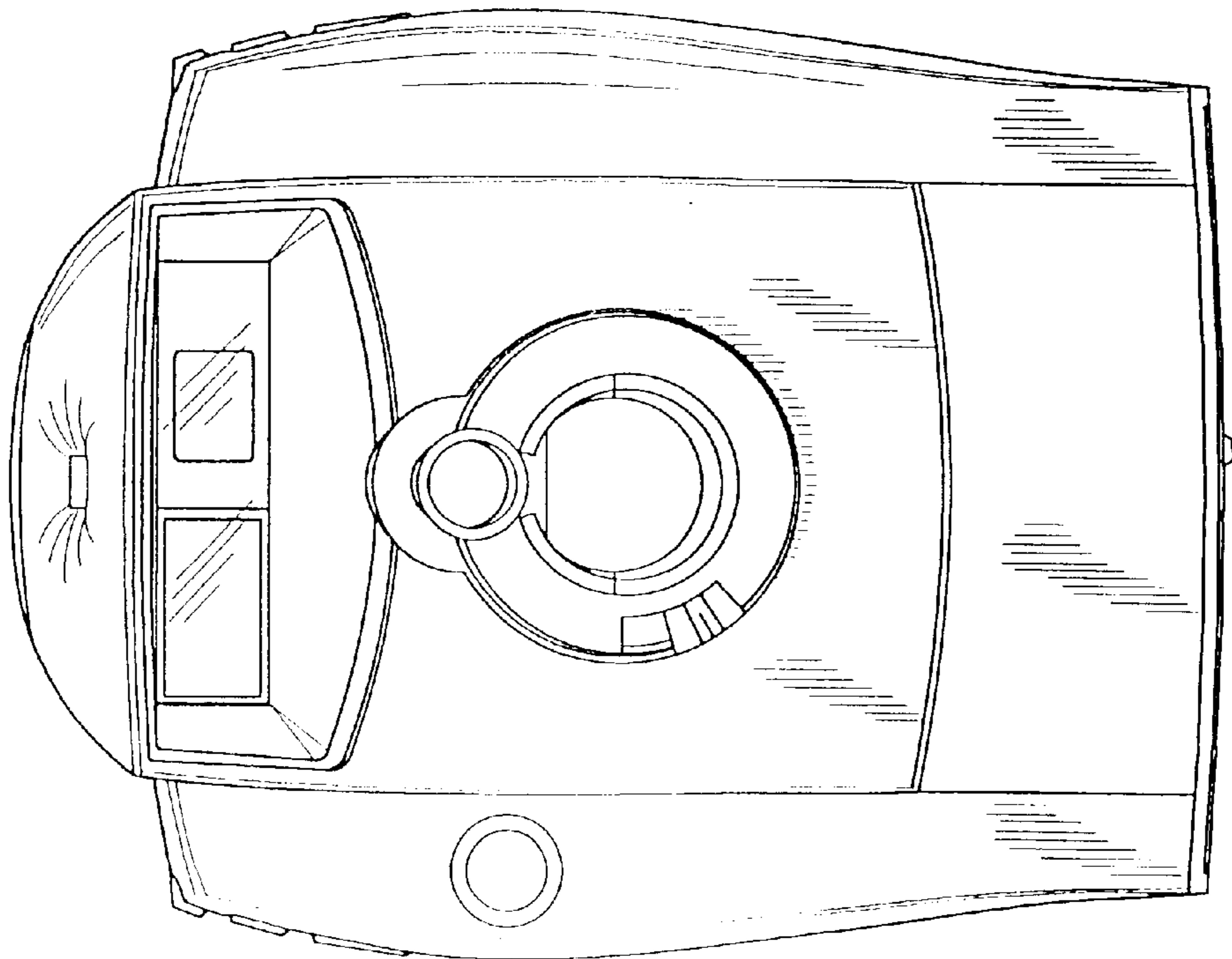


FIG. 2

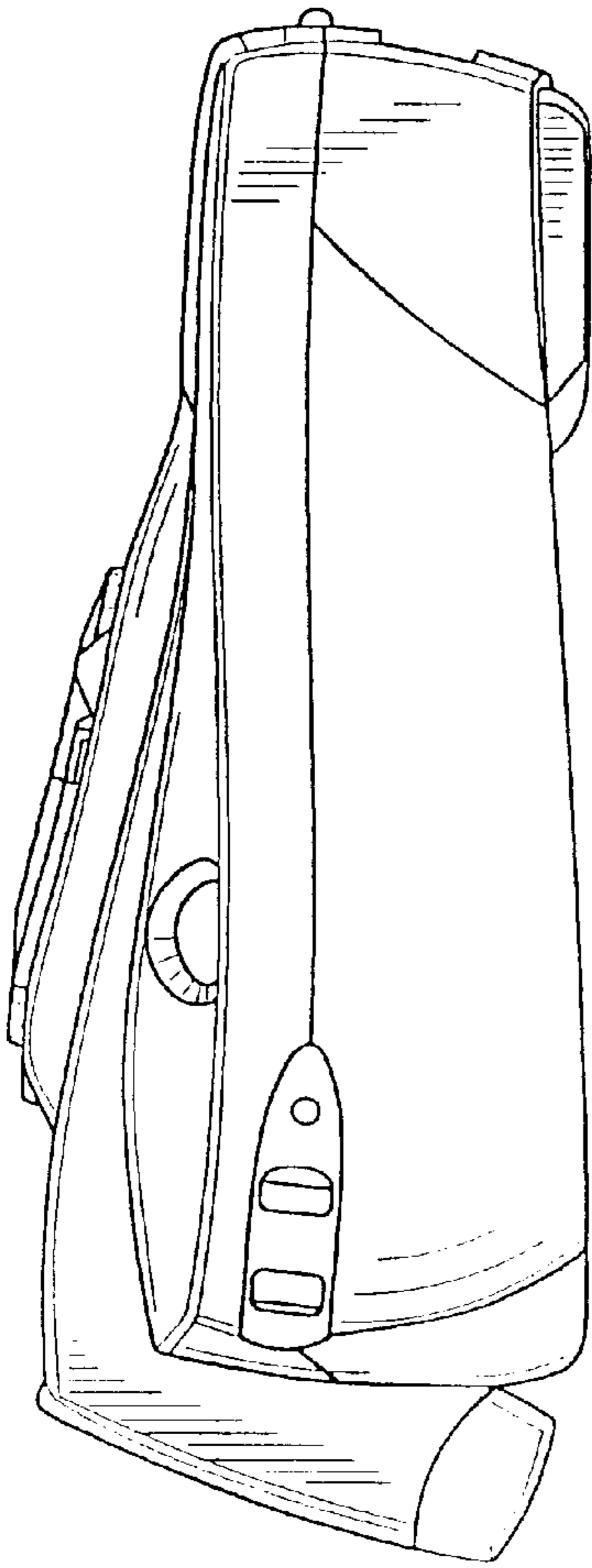


FIG. 4

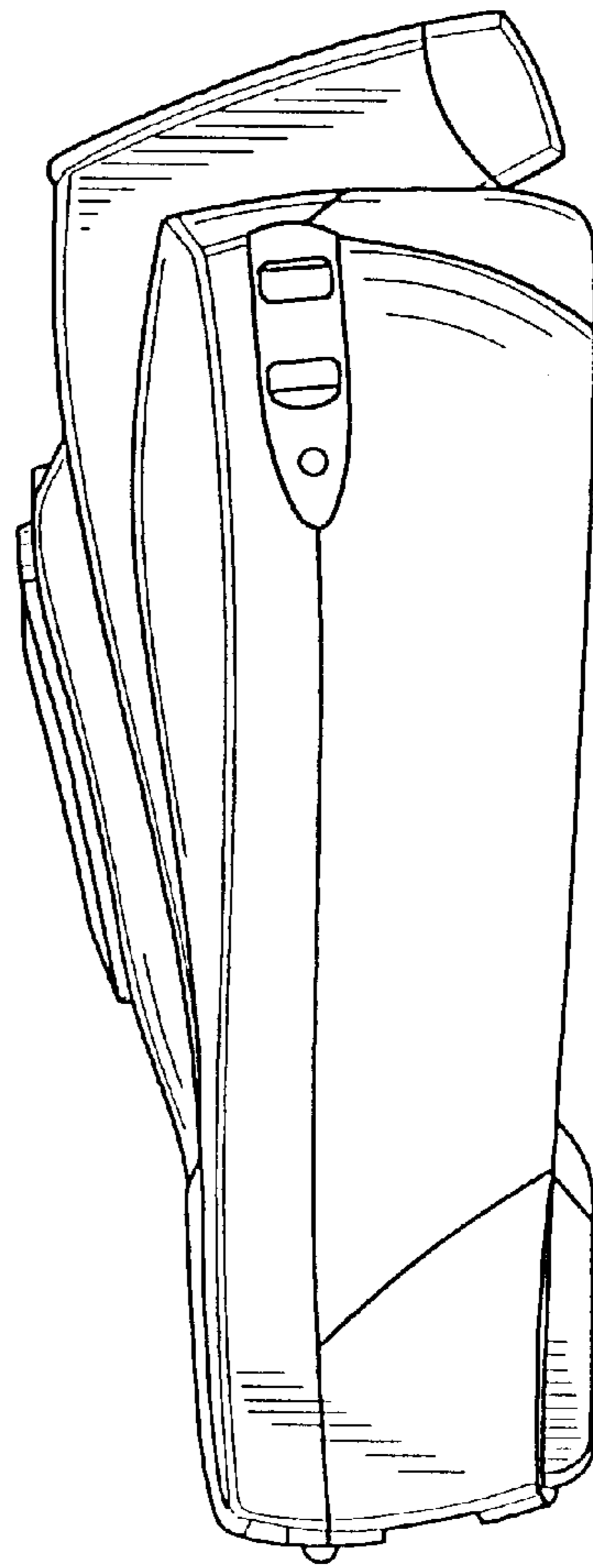


FIG. 5

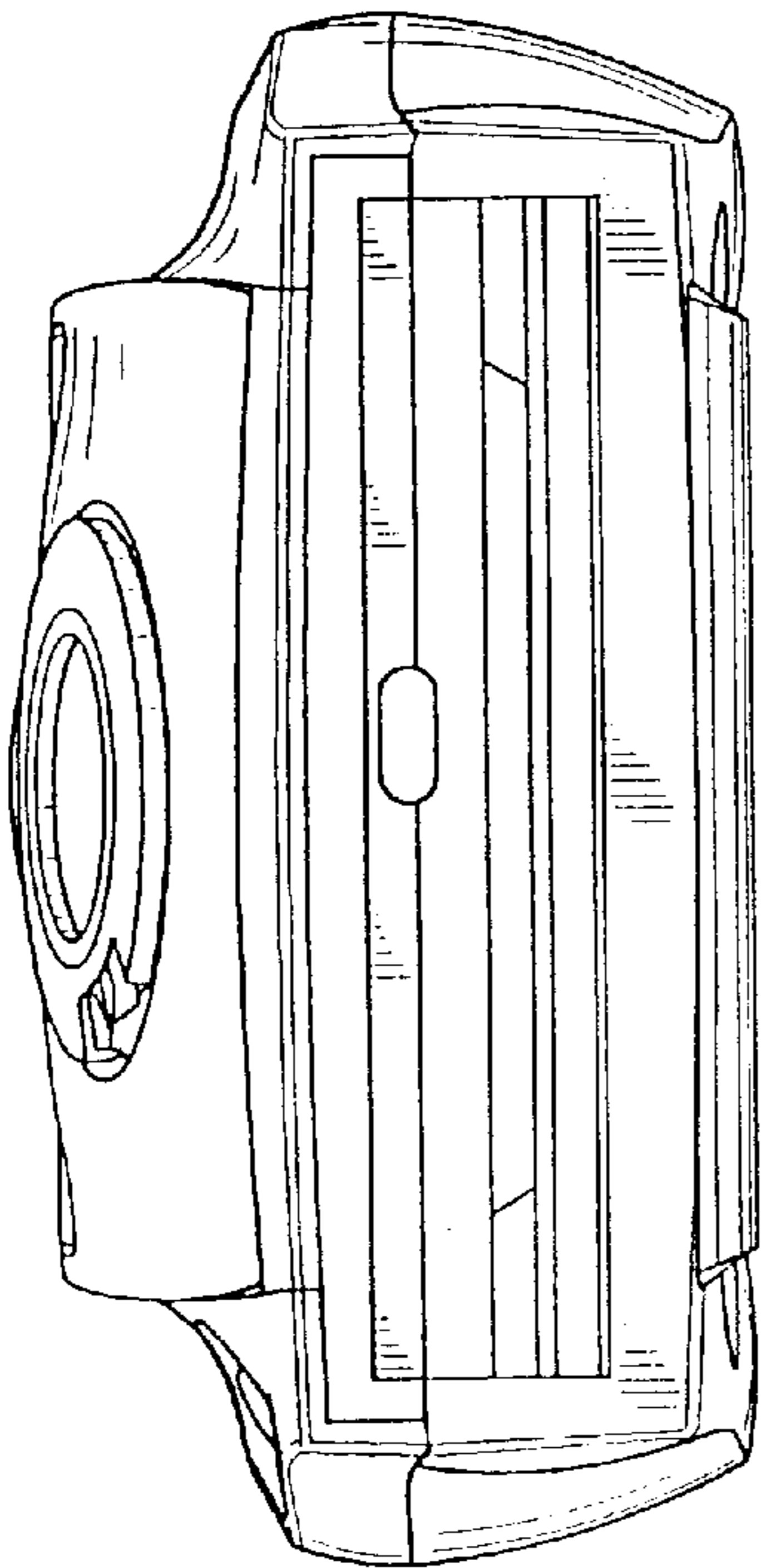


FIG. 6

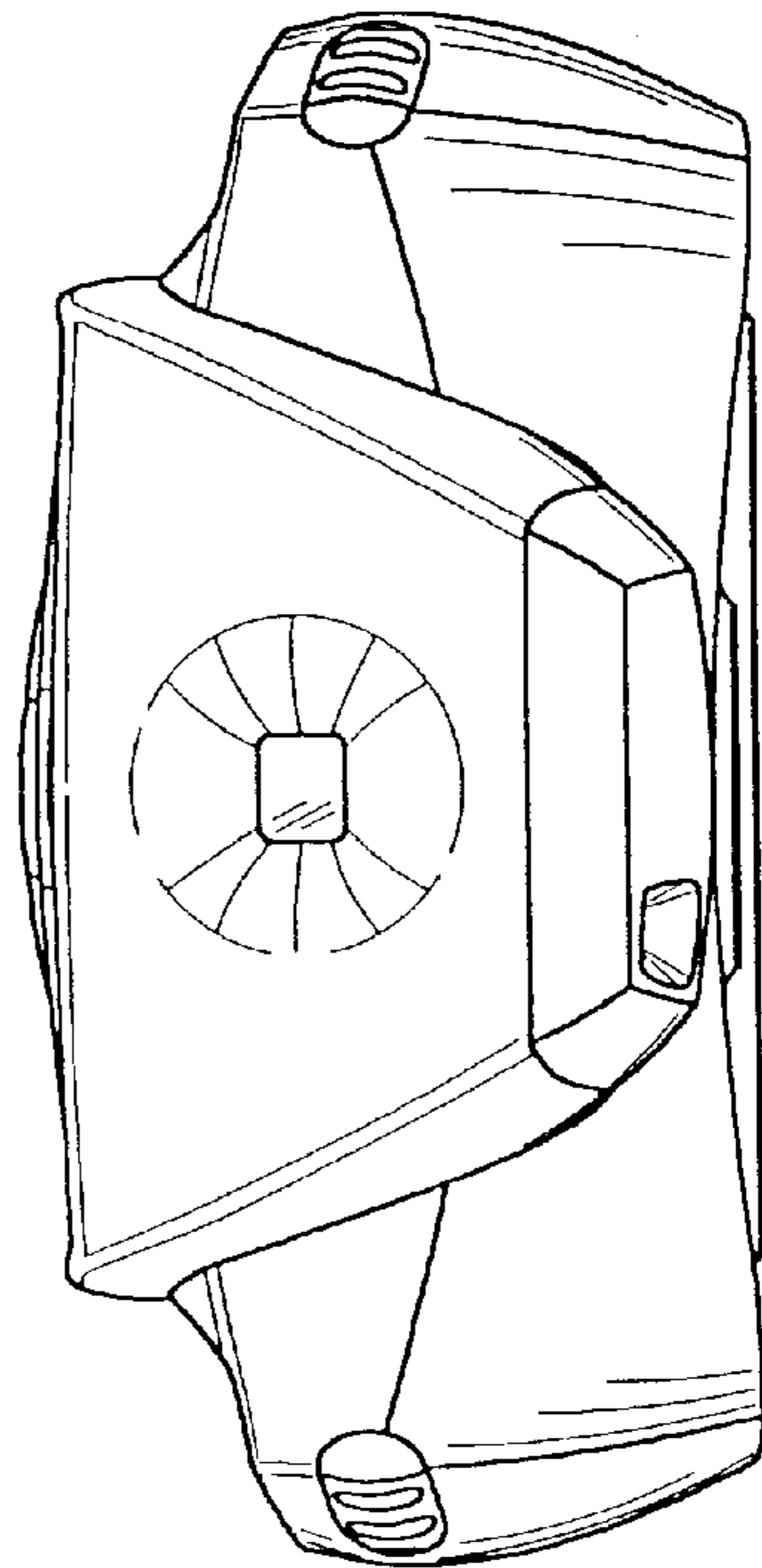


FIG. 7