



US00D459379S

(12) **United States Design Patent**
Cheng

(10) **Patent No.:** **US D459,379 S**
(45) **Date of Patent:** **** Jun. 25, 2002**

(54) **WATERPROOF CAMERA**

(76) Inventor: **Yi-Jen Cheng**, 9 Fl., No. 21, Chorngder
2 Rd., Taichung (TW)

(**) Term: **14 Years**

(21) Appl. No.: **29/151,249**

(22) Filed: **Oct. 26, 2001**

(51) **LOC (7) Cl.** **16-01**

(52) **U.S. Cl.** **D16/204**

(58) **Field of Search** D16/200-205,
D16/208, 209, 217, 218; 396/25-29, 535-541

(56) **References Cited**

U.S. PATENT DOCUMENTS

D177,640 S	*	5/1956	Petersen	D16/204
2,944,474 A	*	7/1960	Dennis	396/27
3,019,715 A	*	2/1962	Arnold et al.	396/27
D212,834 S	*	11/1968	Soumar	D16/204
4,803,504 A	*	2/1989	Maeno et al.	396/29
D382,578 S	*	8/1997	Cieslikowski	D16/200

* cited by examiner

Primary Examiner—Adir Aronovich
(74) *Attorney, Agent, or Firm*—Alan Kamrath; Rider,
Bennett, Egan & Arundel, LLP

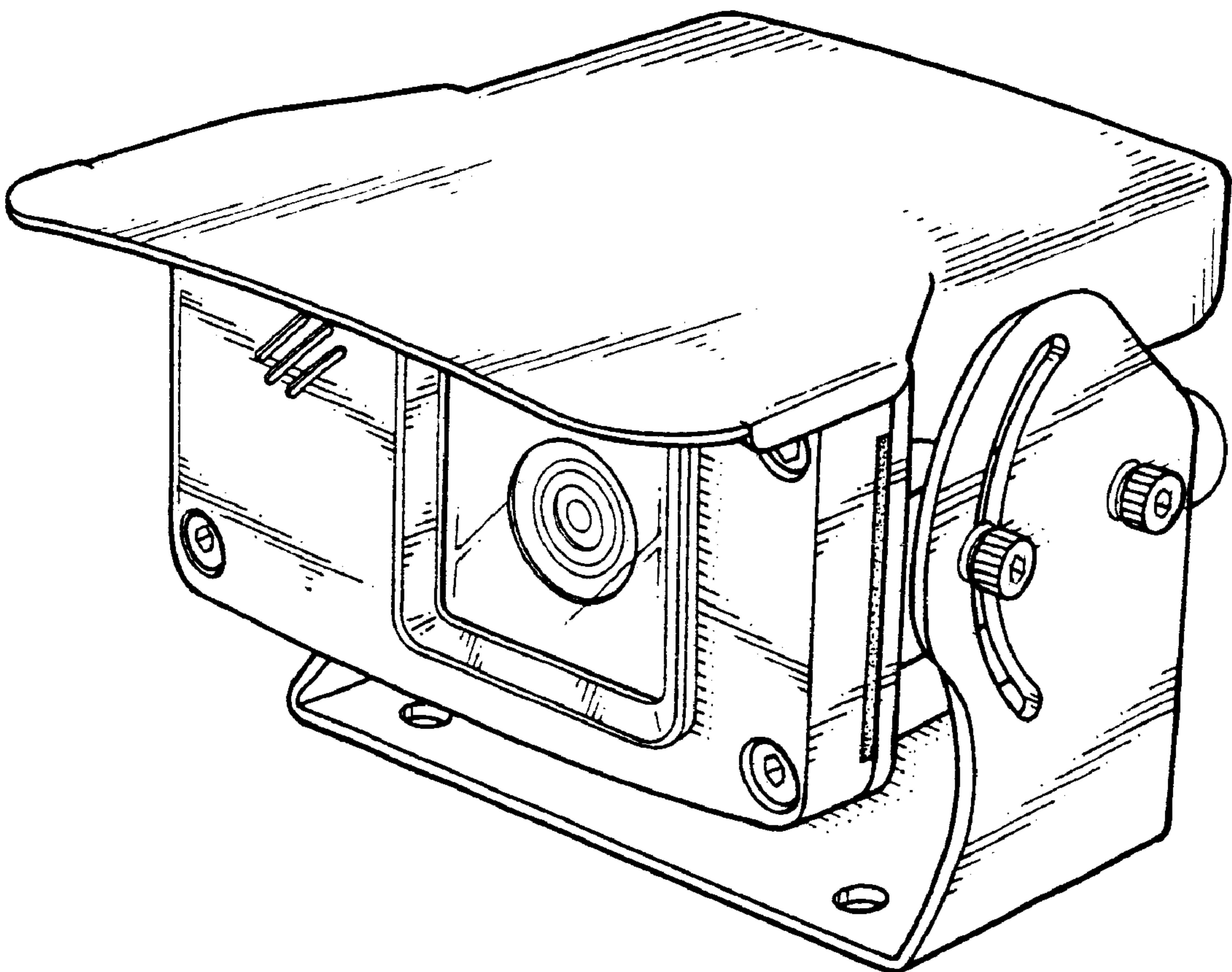
(57) **CLAIM**

The ornamental design for a waterproof camera, as shown and described.

DESCRIPTION

FIG. 1 is a perspective view of a waterproof camera showing my new design;
FIG. 2 is a front elevational view thereof;
FIG. 3 is a rear elevational view thereof;
FIG. 4 is a left side view thereof;
FIG. 5 is a right side view thereof;
FIG. 6 is a top plan view thereof;
FIG. 7 is a bottom plain view thereof; and,
FIG. 8 is a perspective view showing the application thereof, wherein the broken line portion is for illustrative purpose only and forms no part of the claimed design.

1 Claim, 5 Drawing Sheets



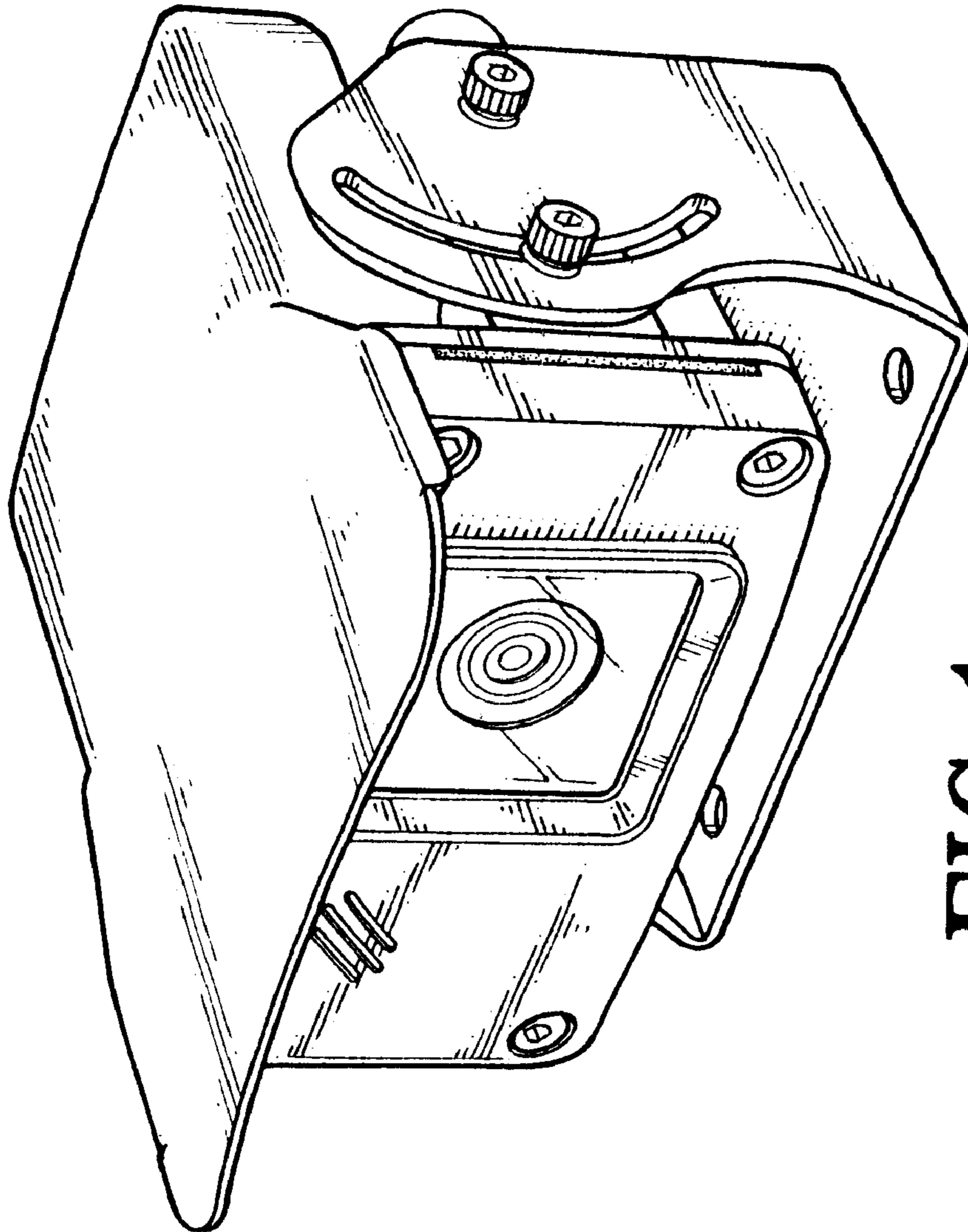


FIG. 1

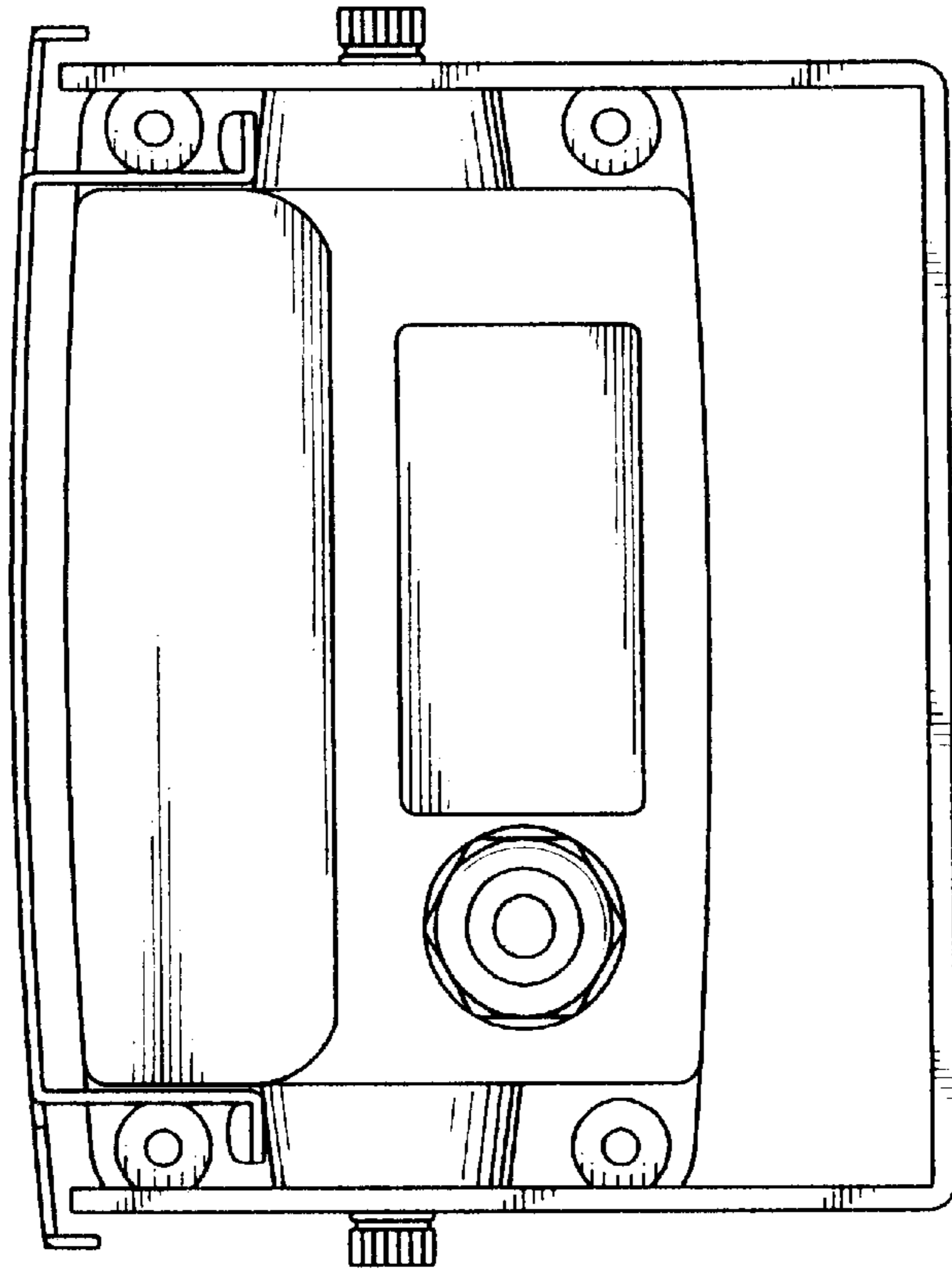


FIG.3

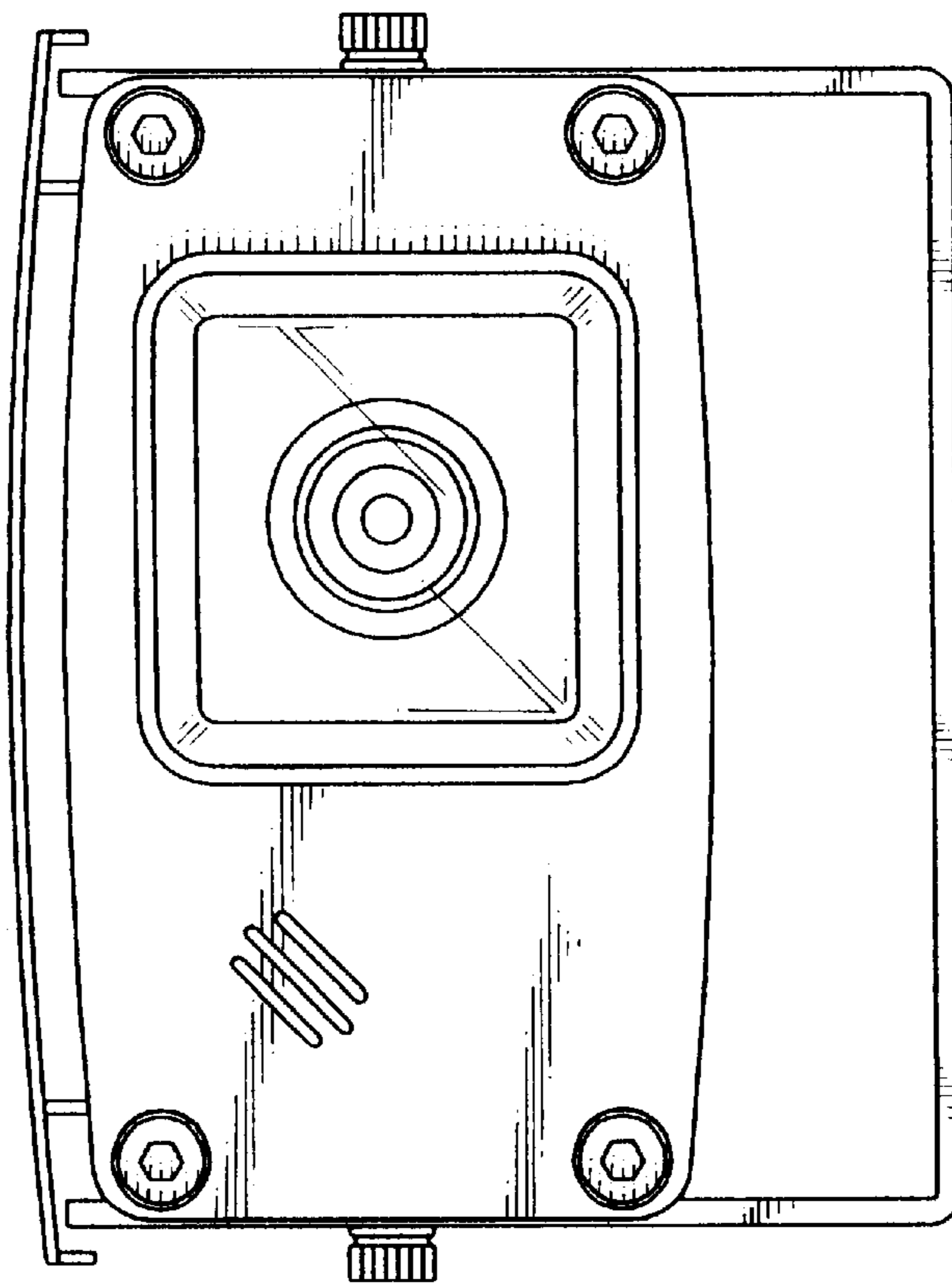


FIG.2

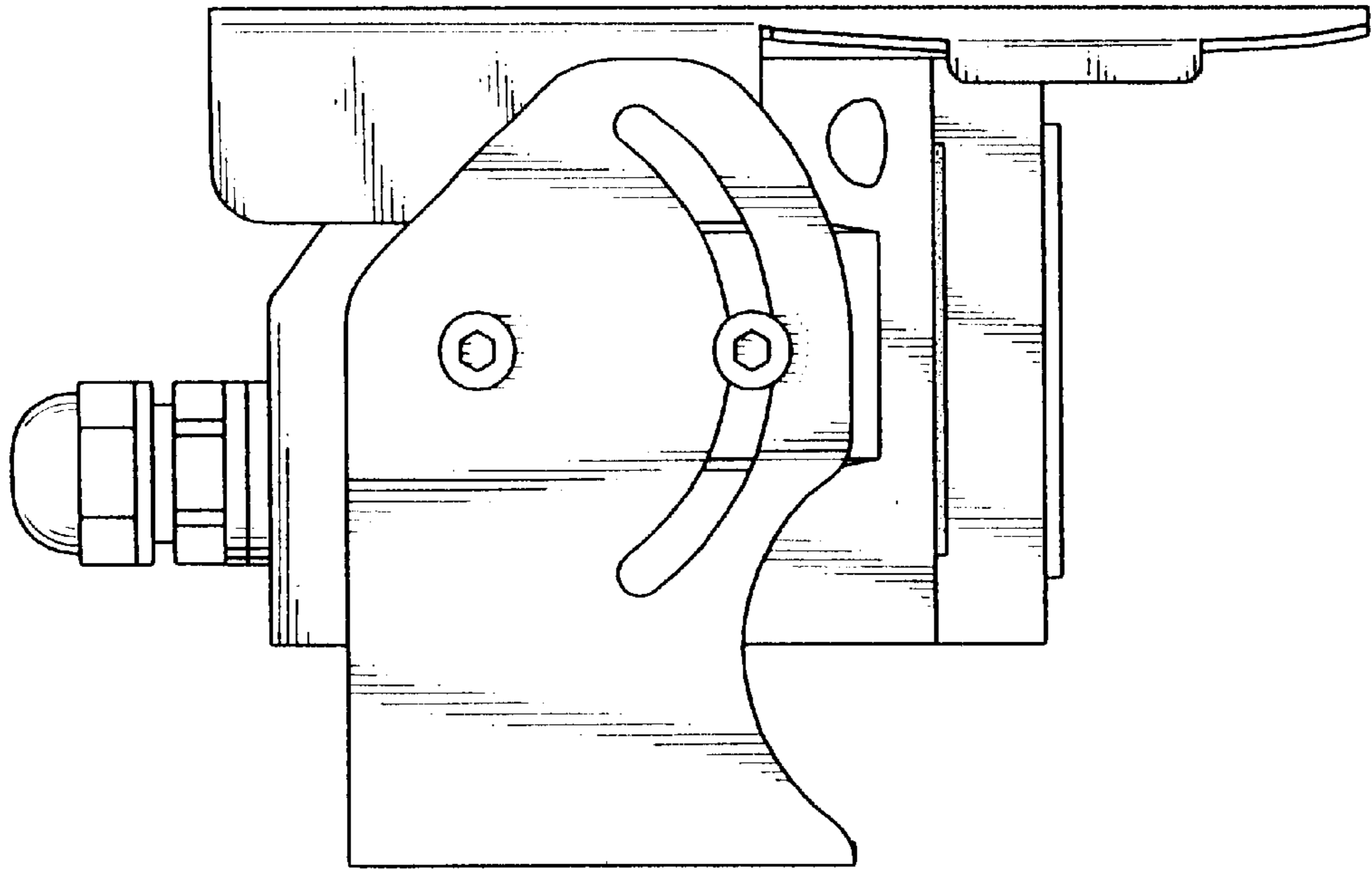


FIG. 4

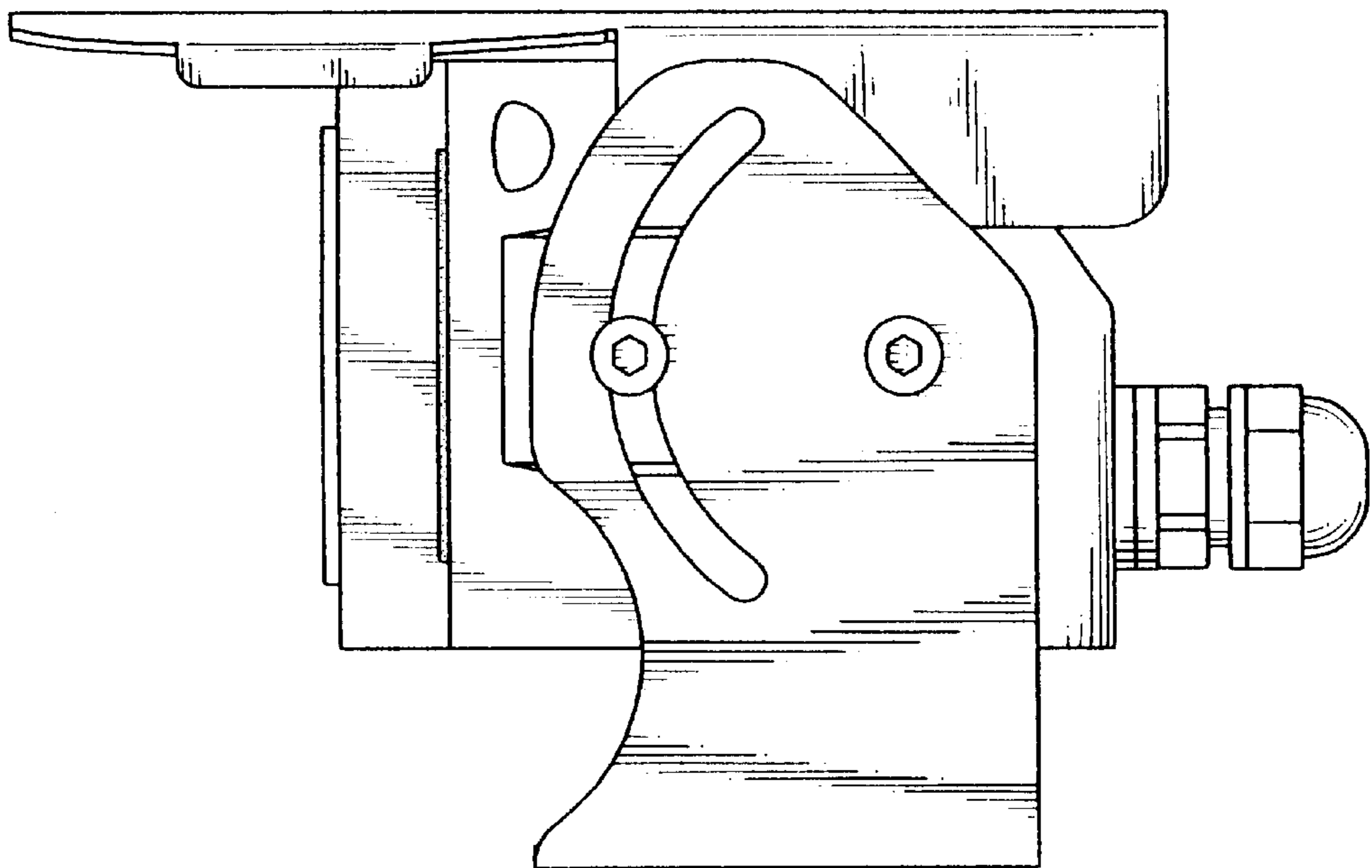


FIG. 5

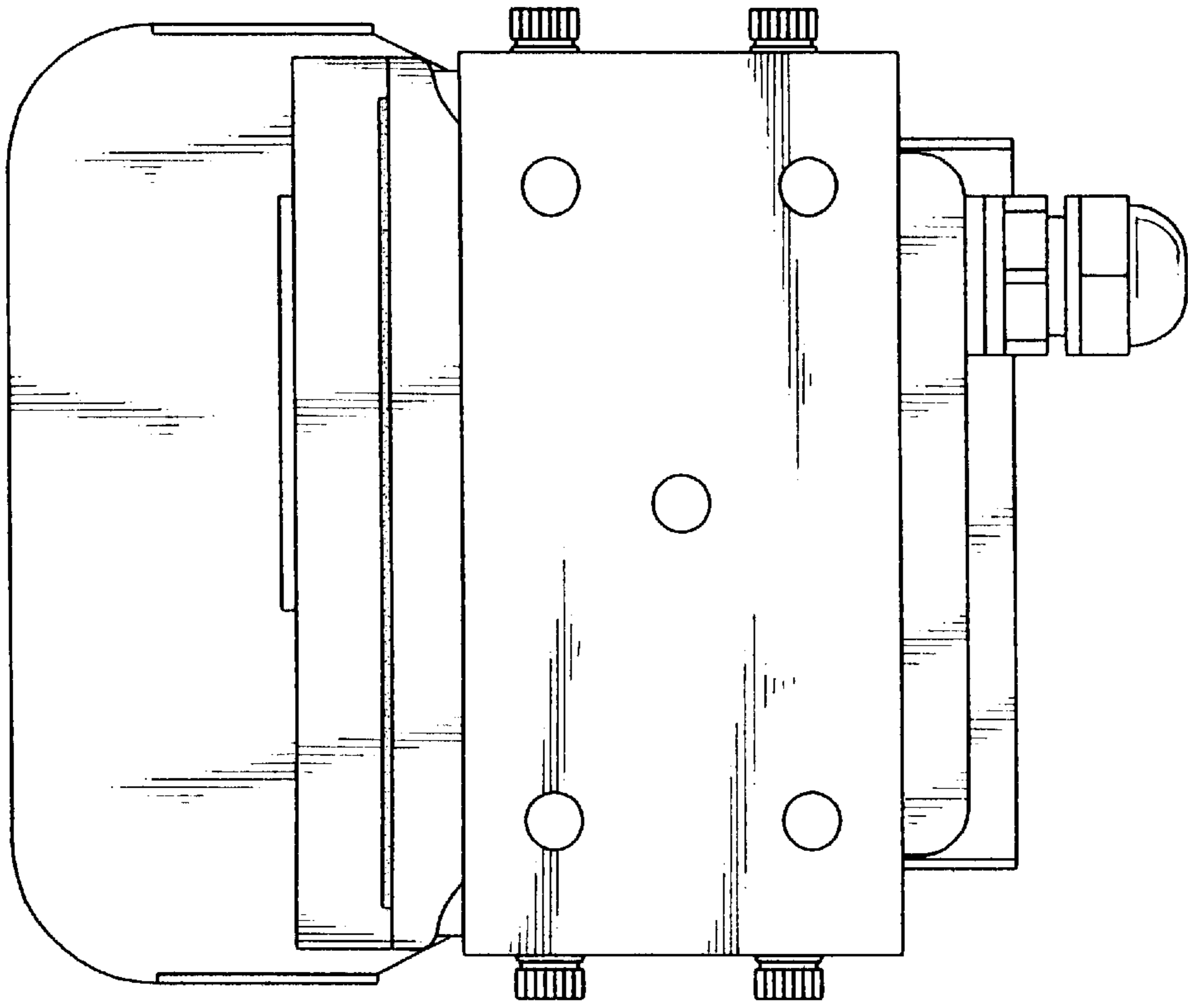


FIG. 7

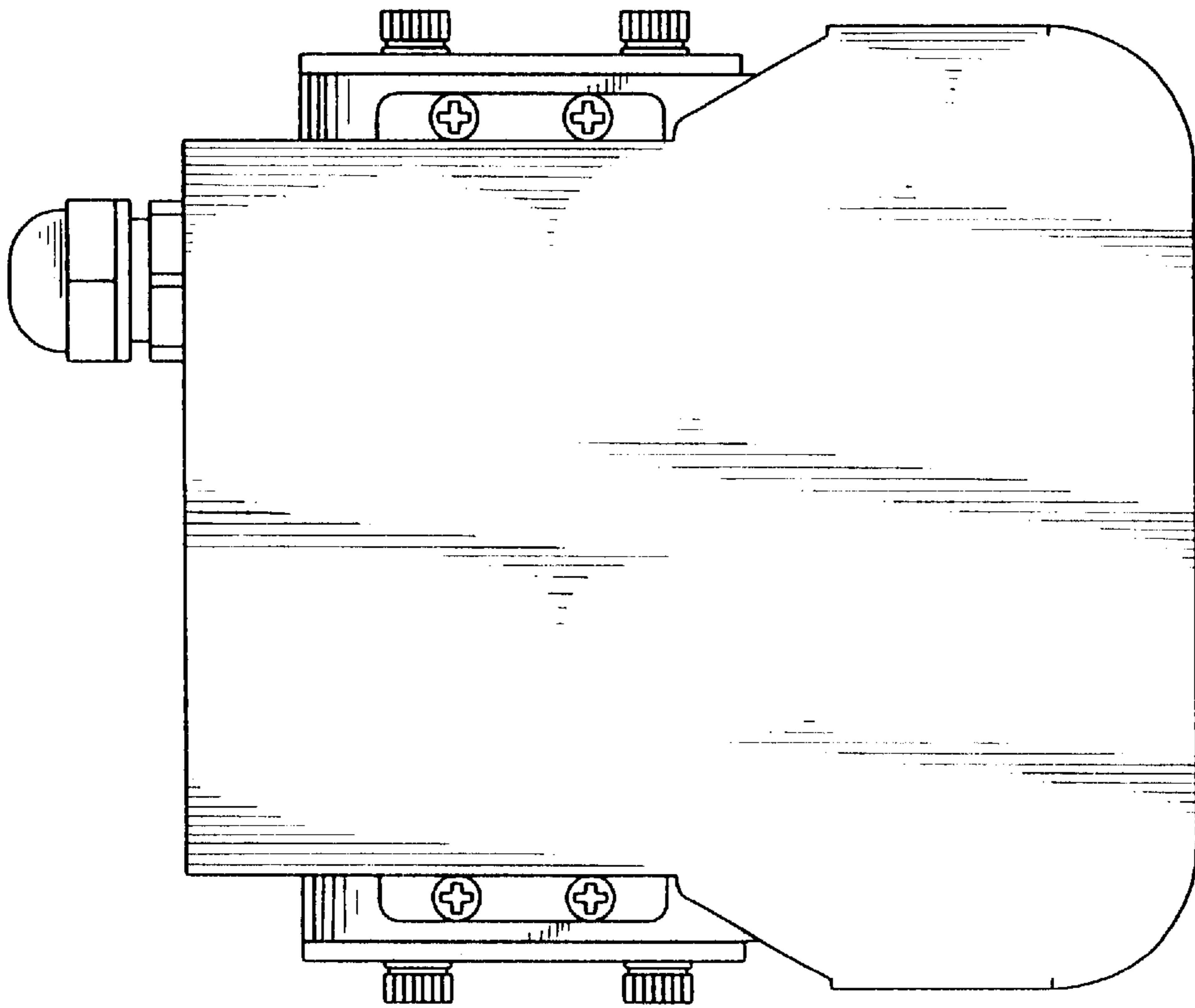


FIG. 6

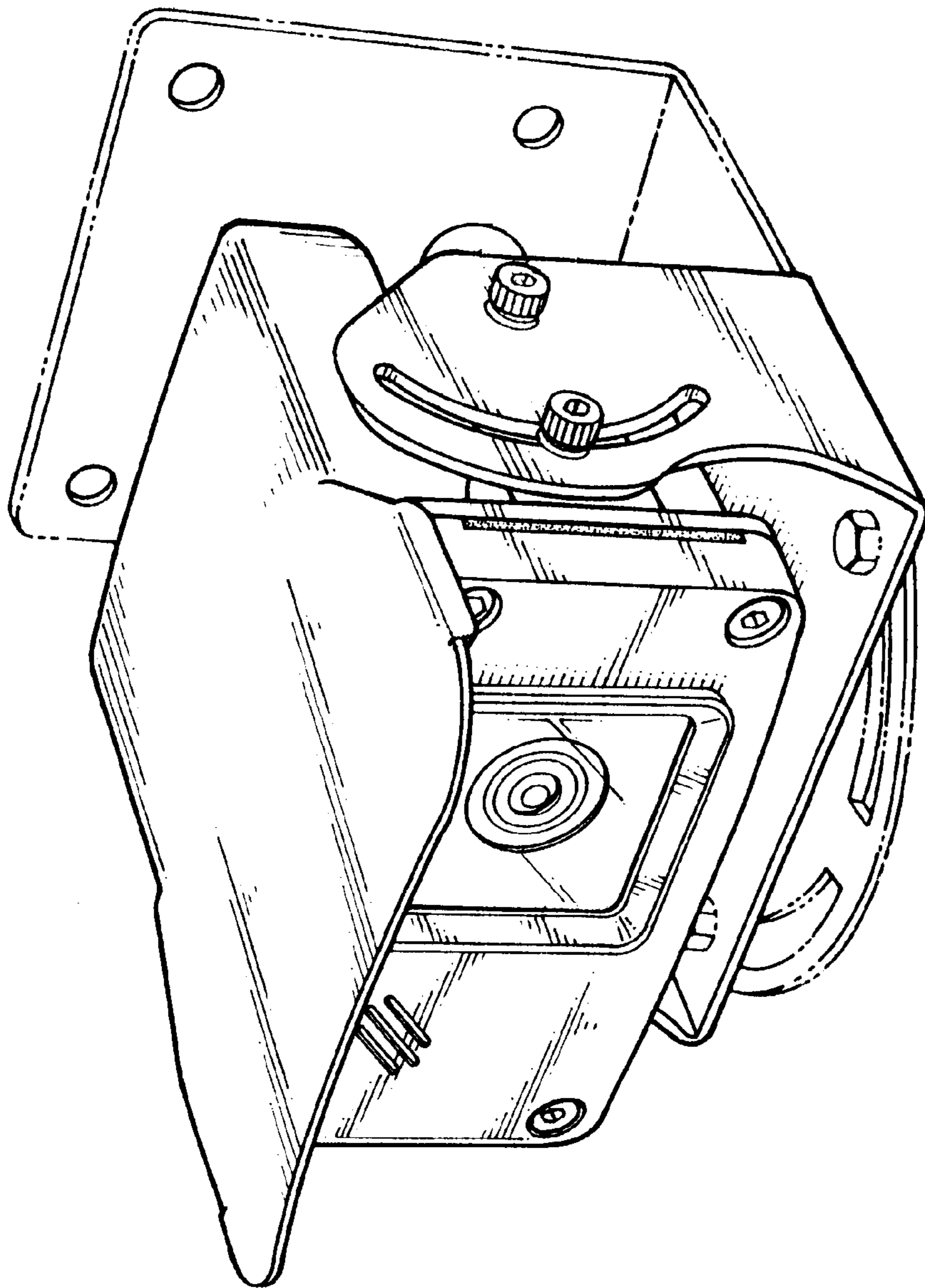


FIG. 8