



US00D459378S

(12) **United States Design Patent**
Masamitsu et al.

(10) **Patent No.:** **US D459,378 S**
(45) **Date of Patent:** **** Jun. 25, 2002**

(54) **ELECTRONIC STILL CAMERA**

6,043,842 A * 3/2000 Tomasch et al. 348/143

(75) Inventors: **Satoshi Masamitsu; Keitaro Tsuboki,**
both of Tokyo (JP)

* cited by examiner

(73) Assignee: **Sony Corporation,** Tokyo (JP)

*Primary Examiner—*Adir Aronovich
(74) *Attorney, Agent, or Firm—*Rader, Fishman & Grauer,
PLLC

(**) Term: **14 Years**

(57) **CLAIM**

(21) Appl. No.: **29/144,284**

The ornamental design for an electronic still camera, as shown and described.

(22) Filed: **Jul. 2, 2001**

(51) **LOC (7) Cl.** **16-01**

(52) **U.S. Cl.** **D16/202; D16/203**

(58) **Field of Search** **D16/200–205,**
D16/208, 218; 348/143, 373–376; 396/25–29,
427

DESCRIPTION

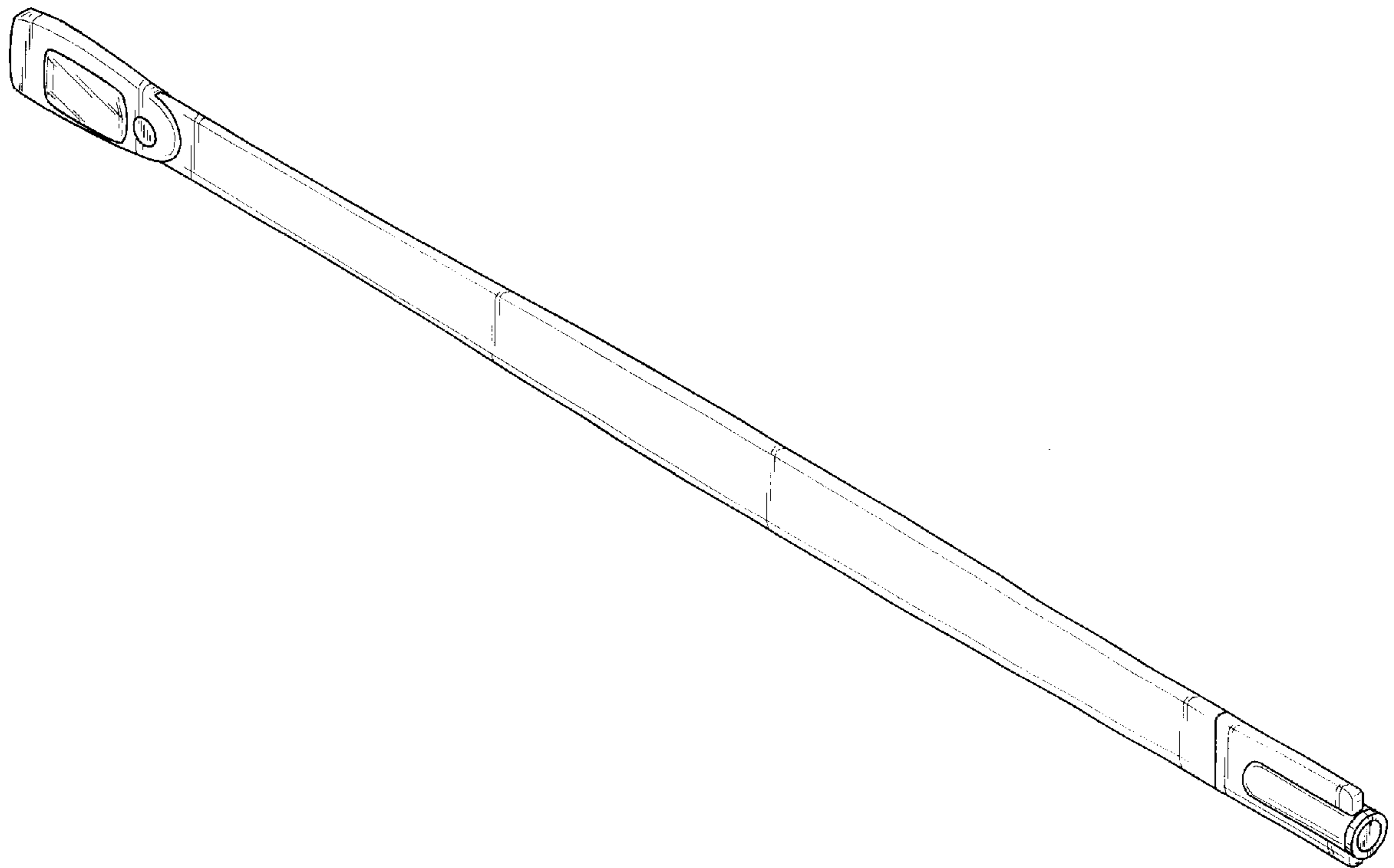
FIG. 1 is a perspective view of an electronic still camera showing our new design;
FIG. 2 is a front elevational view thereof;
FIG. 3 is a rear elevational view thereof;
FIG. 4 is a left side elevational view thereof;
FIG. 5 is a right side elevational view thereof;
FIG. 6 is a top plan view thereof;
FIG. 7 is a bottom plan view thereof;
FIG. 8 is an enlarged left side view thereof; and,
FIG. 9 is an enlarged right side view thereof.

(56) **References Cited**

U.S. PATENT DOCUMENTS

4,536,789 A	*	8/1985	Bains	396/28
D348,683 S	*	7/1994	Park	D16/202
D364,883 S	*	12/1995	Park	D16/202
D407,096 S	*	3/1999	Christensen	D16/202
D411,217 S	*	6/1999	McBride	D16/204

1 Claim, 5 Drawing Sheets



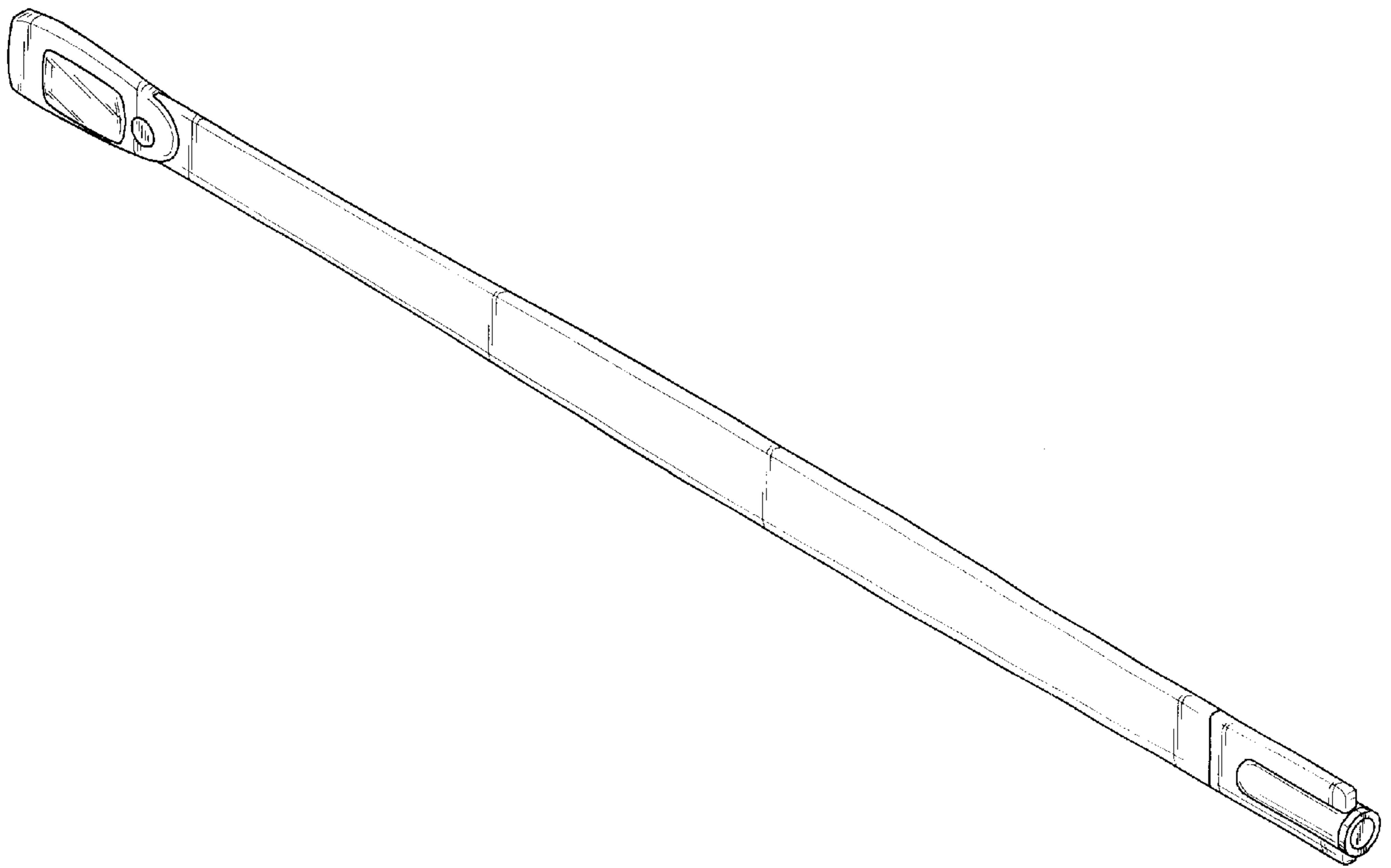


Fig. 1



Fig. 2



Fig. 3



Fig. 4



Fig. 5



Fig. 6



Fig. 7

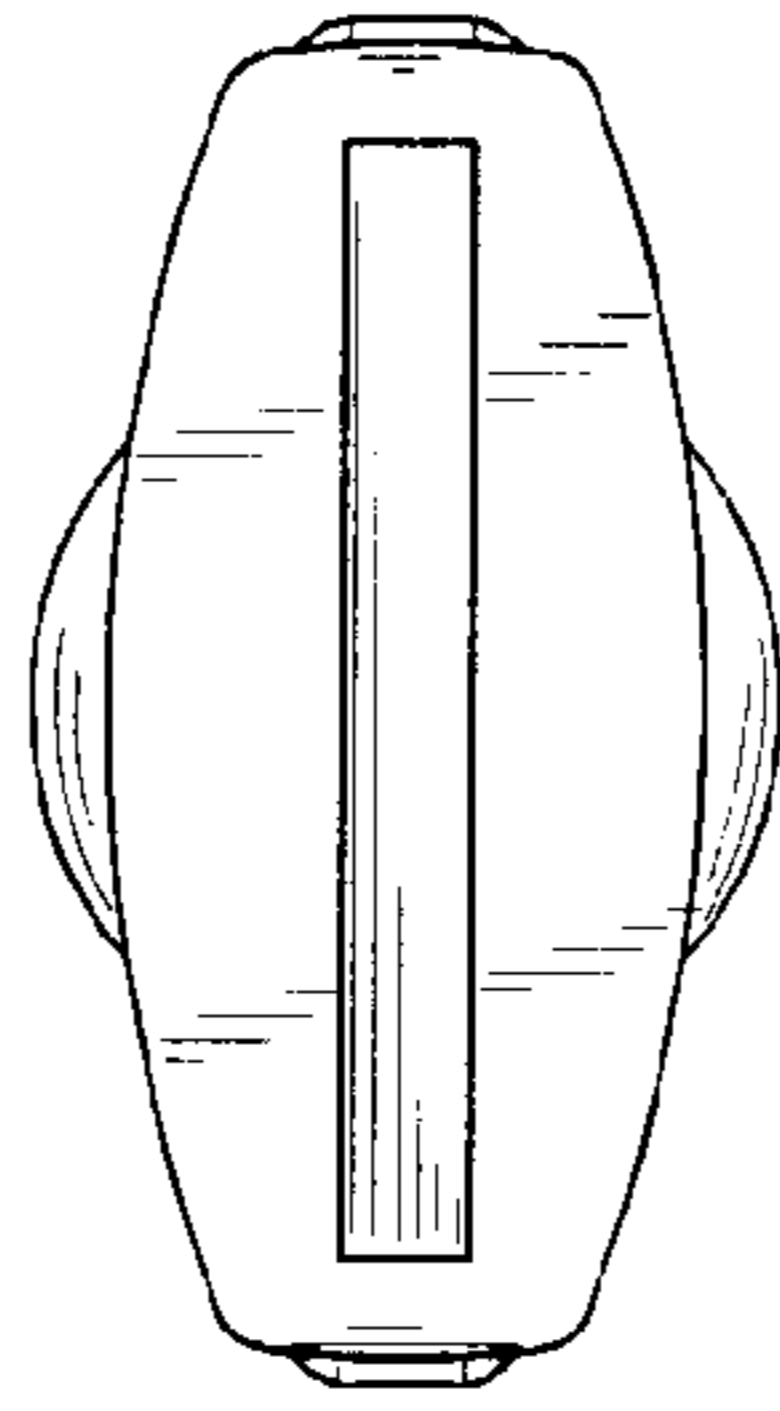


Fig. 8

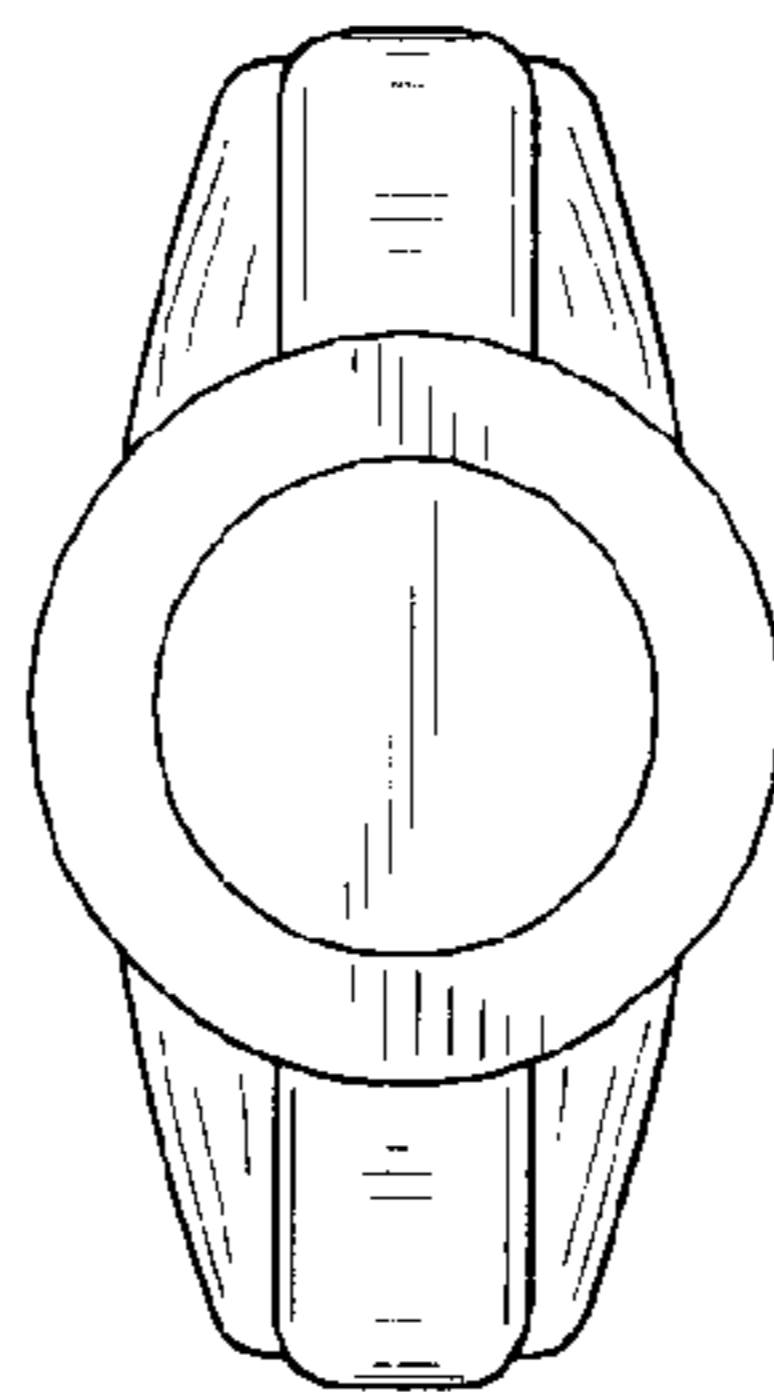


Fig. 9