



US00D459377S

(12) **United States Design Patent**
Glick

(10) **Patent No.:** **US D459,377 S**

(45) **Date of Patent:** **** Jun. 25, 2002**

(54) **HANDLE FOR A MAGNIFYING GLASS**

(75) **Inventor:** **Louis Glick**, New York, NY (US)

(73) **Assignee:** **Louis Glick Diamond Corporation**,
New York, NY (US)

(**) **Term:** **14 Years**

(21) **Appl. No.:** **29/145,387**

(22) **Filed:** **Jul. 23, 2001**

(51) **LOC (7) Cl.** **16-06**

(52) **U.S. Cl.** **D16/135**

(58) **Field of Search** D16/130, 135;
D10/44; 368/93, 95; D8/DIG. 1-3, DIG. 4,
DIG. 9, 303; D7/688, 393, 695; D28/64.6;
132/286, 316; 359/808, 809, 810, 811;
16/414, 441; D12/178; D11/157

(56) **References Cited**

U.S. PATENT DOCUMENTS

201,864 A	4/1878	Behn, Sr.	
D137,795 S	* 5/1944	Lesiak et al.	D28/64.6
D142,978 S	* 11/1945	Bastien	D7/695
D147,765 S	* 10/1947	Silbernagel	D16/135
2,644,890 A	7/1953	Hollihan	
2,714,927 A	8/1955	Stern et al.	
2,984,064 A	5/1961	Russell et al.	
3,387,396 A	6/1968	Smith	
3,724,847 A	4/1973	Compton	
3,935,702 A	2/1976	Tamada	
4,030,285 A	6/1977	Sheth	

4,034,493 A	7/1977	Ball	
4,474,481 A	10/1984	Croyle	
D282,056 S	* 1/1986	Levine	D11/157
4,648,721 A	3/1987	Shapiro	
4,844,447 A	7/1989	McKnight	
D324,060 S	* 2/1992	Huang	D16/135
5,117,405 A	5/1992	Thibault	
5,122,994 A	6/1992	Benedetti	
5,528,561 A	6/1996	Castanis	
5,778,576 A	7/1998	Kaviani	
6,206,536 B1	3/2001	Lin	

FOREIGN PATENT DOCUMENTS

JP 58-150883 9/1983

* cited by examiner

Primary Examiner—Paula A. Mortimer

(74) *Attorney, Agent, or Firm*—Stephen E. Feldman, P.C.

(57) **CLAIM**

I claim the handle for a magnifying glass, as shown and described.

DESCRIPTION

FIG. 1: Front view of the invention;
FIG. 2: Side view of the invention, the other side is a mirror image of this side;
FIG. 3: Top view of the invention; and,
FIG. 4: Bottom view of the invention.
The broken line showing of the magnifying glass and handle end is for illustrative purposes only and forms no part of the claimed design.

1 Claim, 1 Drawing Sheet

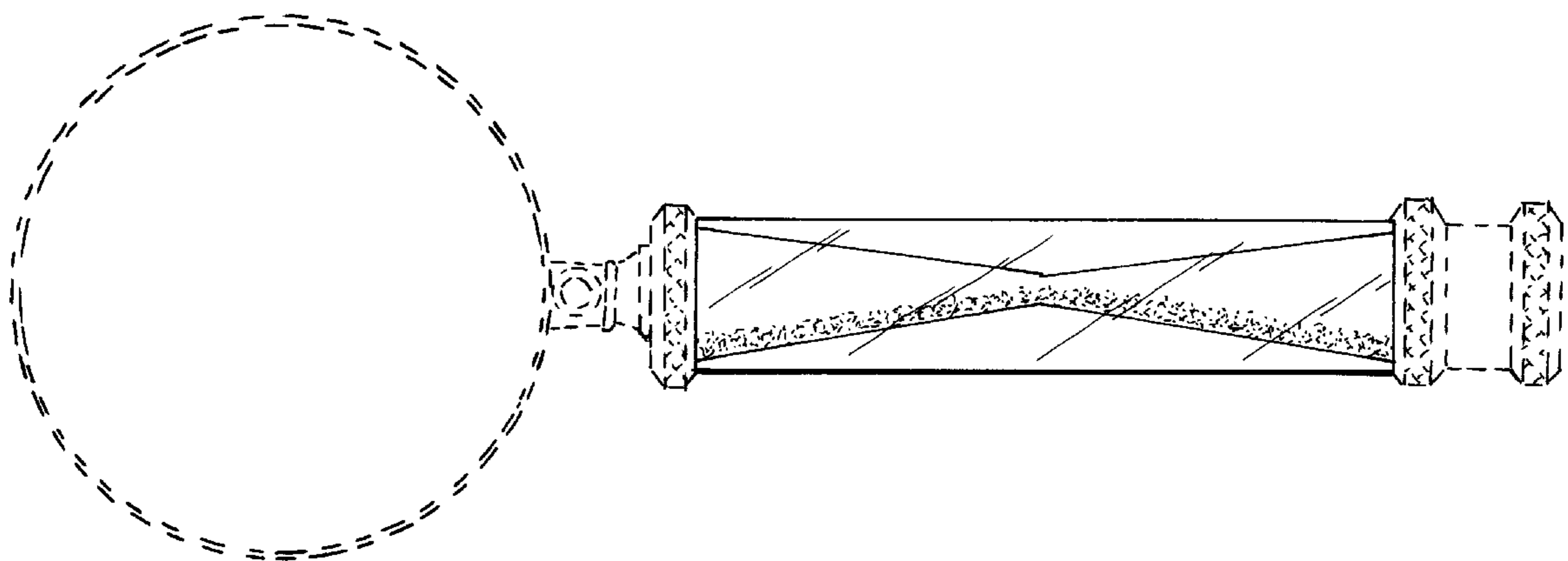


FIG. 1

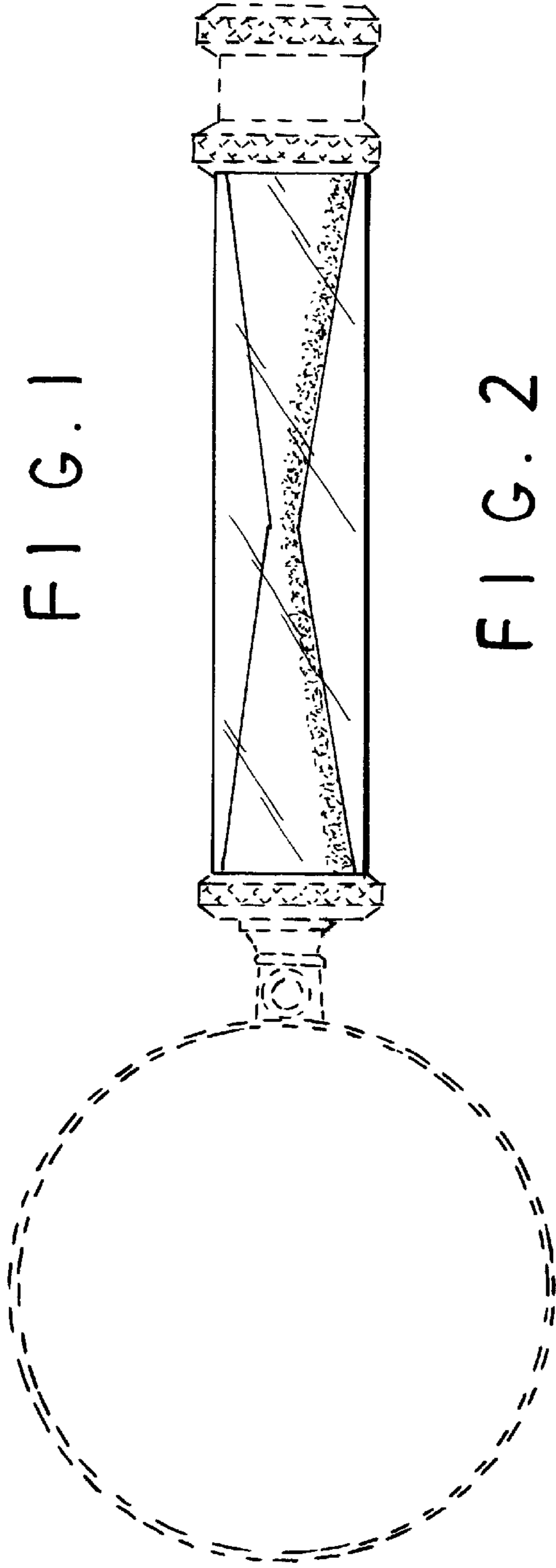


FIG. 2

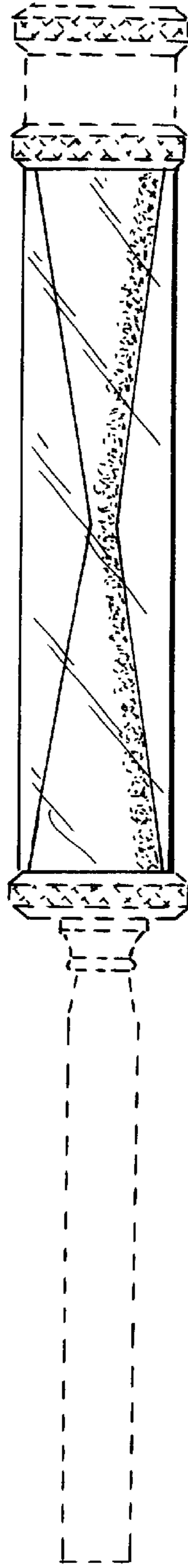


FIG. 3

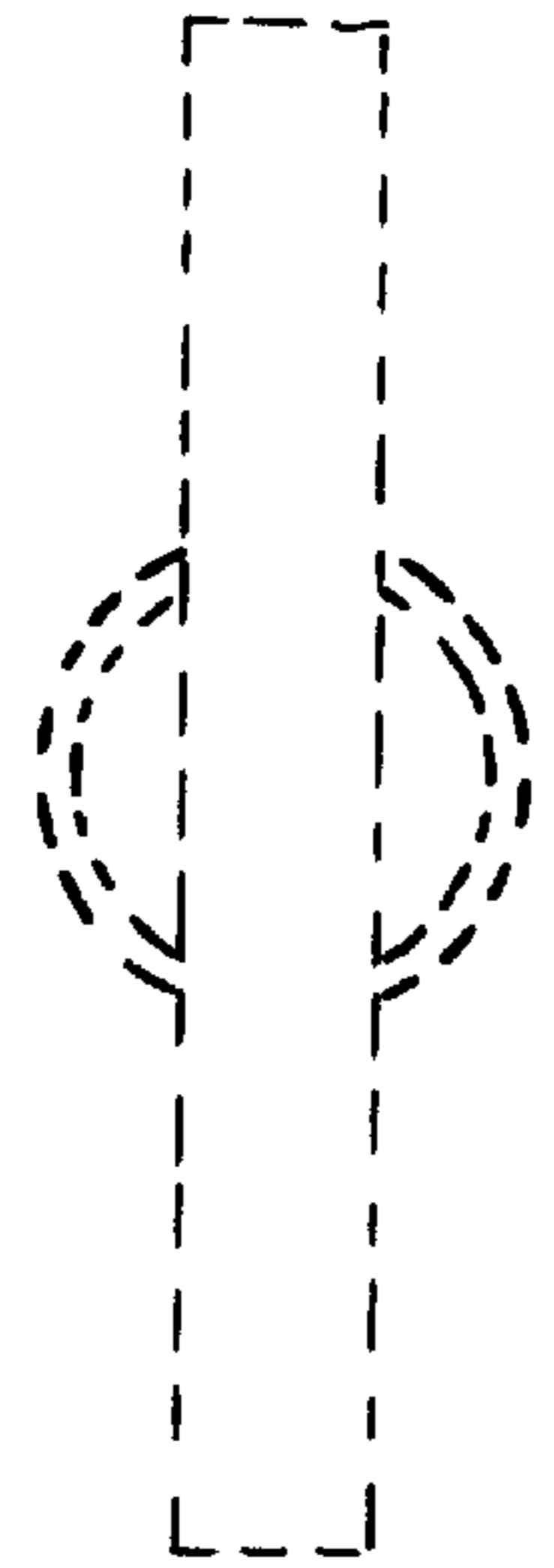


FIG. 4

